

Instructions for Parts Books

The heading at the top of the page will be the same for the picture of the parts as it is for the page with the part numbers.

Definition of column headings on part number pages:

REF.No → The number referring to the part on the picture page of the parts book.

Part No. → The number assigned to this part at the time of printing the parts book.

Description → Description of part.

Q'ty → Quantity of part used on that page.

S.No. → Serial number range of the equipment that this part will fit.

>= Your serial number should be greater than or equal to the number shown.

<= Your serial number should be lesser than or equal to the serial number shown.

I/C → Interchangeability of part shown.

↔ The part shown will work for the older and later serial number.

The part shown is not interchangeable with the other serial number.

← new for old

→ old for new

Remarks → Notes about this particular part. Sometimes this may say except [FR] or [CA]

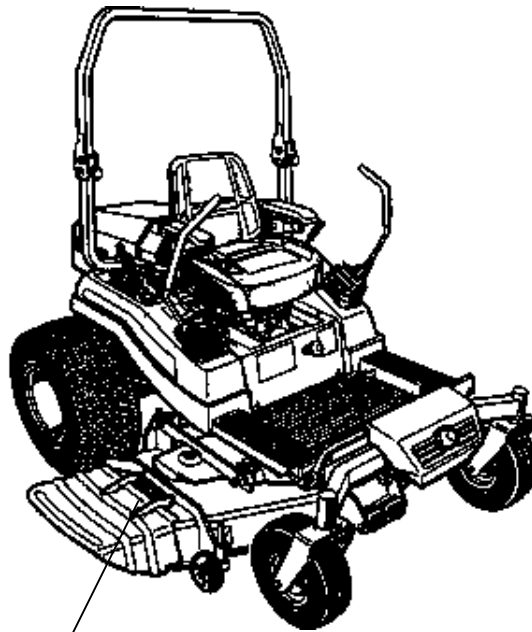
Note about Country Codes:

The parts books we use in the United States of America may also contain information about a part that would be different in another country. It is important that you are aware of the country codes in some instances.

Symbol	Country
A	United States of America
CA	Canada
FR	France
GR	Greece
PO	Portugal
AU	Australia

If the remarks column says for example EXCEPT [FR] this part works in all countries except France. That means it will work here in the USA.

ALL PRODUCT INDEX
RCK54-18Z



MOWER

Item	Part No.	Description	Book
MOWER	05T00101	UNIVERSAL JOINT	100K0713
	05T00102	UNIVERSAL JOINT	100K0713
	05T004	BEVEL GEAR CASE	100K0713
	05T005	INPUT SHAFT/CENTER PULLEY	100K0713
	05T007	PULLEY HOLDER/BLADE	100K0713
	05T010	SIDE PULLEY/BLADE	100K0713
	05T013	TENSION PULLEY	100K0713
	05T10001	MOWER DECK	100K0713
	05T10301	FRONT GAUGE WHEEL	100K0713
	05T10302	FRONT GAUGE WHEEL	100K0713
	05T10601	REAR WHEEL	100K0713
	05T109	DISCHARGE COVER	100K0713
	05T30001	MOWER LABEL [ENGLISH]	100K0713
	05T30002	MOWER LABEL [FRENCH]	100K0713

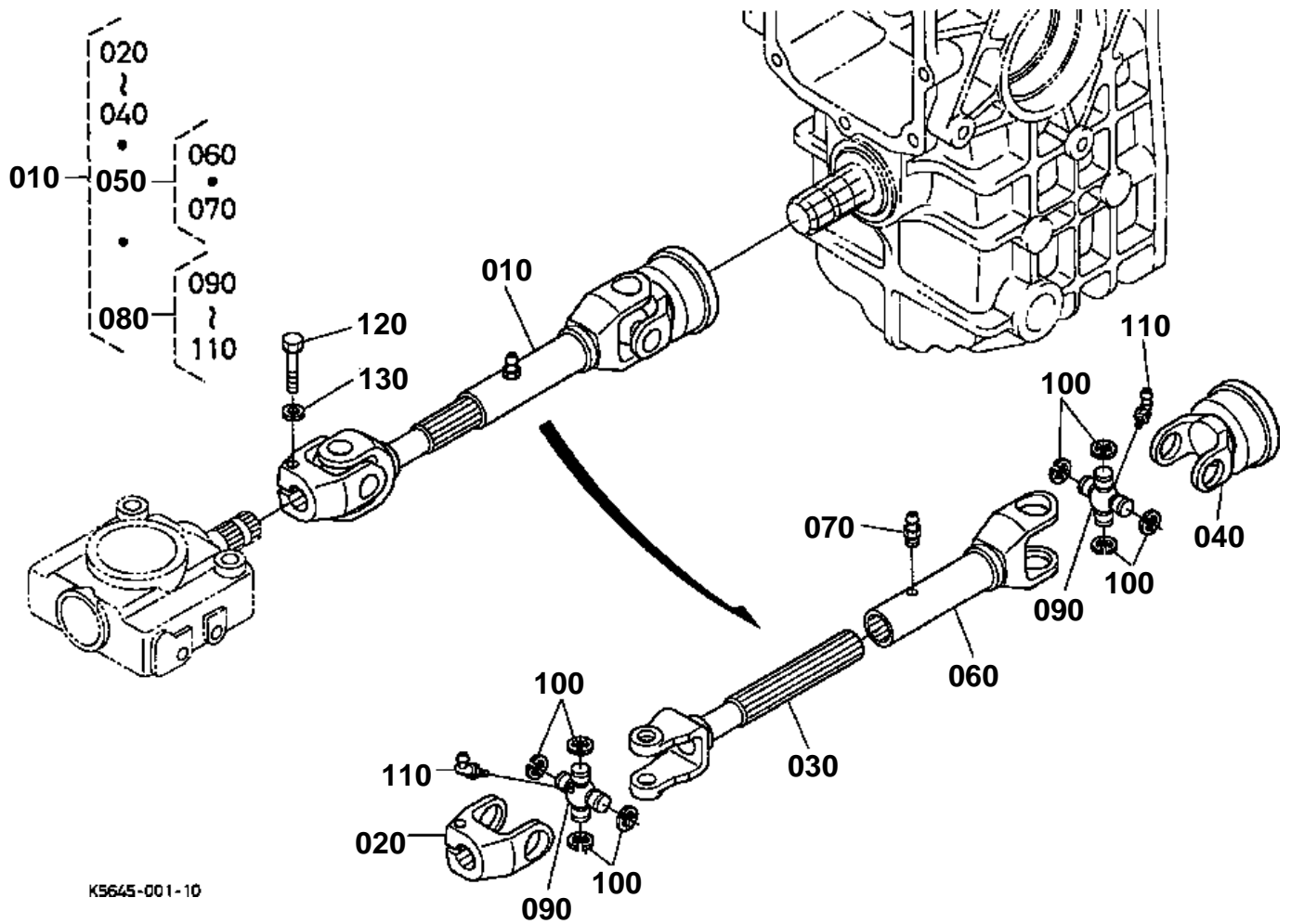


UNIVERSAL JOINT
S.No.;<=11885

↔ Interchangeable; ≠ not interchangeable; ← new for old; → old for new

REF.No	Part No.	Description	Q'ty	S.No.	I/C	REMARKS	Weight (kgf)	Weight (lb)
010	K5645-32030	ASSY JOINT UNIVERSAL	1				2.9	6.38
020	76539-31180	ASSY JOINT CROSS	2				0.2	0.44
030	K5371-31130	YOKE PTO	1				0.48	1.056
040	K5700-31140	SHAFT JOINT	1				0.86	1.892
050	K5645-31160	YOKE JOINT	1				0.58	1.276
060	76539-31210	NIPPLE GREASE	2				0.01	0.022
070	76539-32120	RING SNAP	8				0.003	0.0066
080	67211-42940	NIPPLE GREASE	1				0.001	0.0022
090	04012-50060	WASHER PLAIN	1				0.001	0.0022
100	01053-51035	BOLT	1				0.03	0.066
110	04512-60100	WASHER SPRING	1				0.002	0.0044

UNIVERSAL JOINT



K5645-001-10

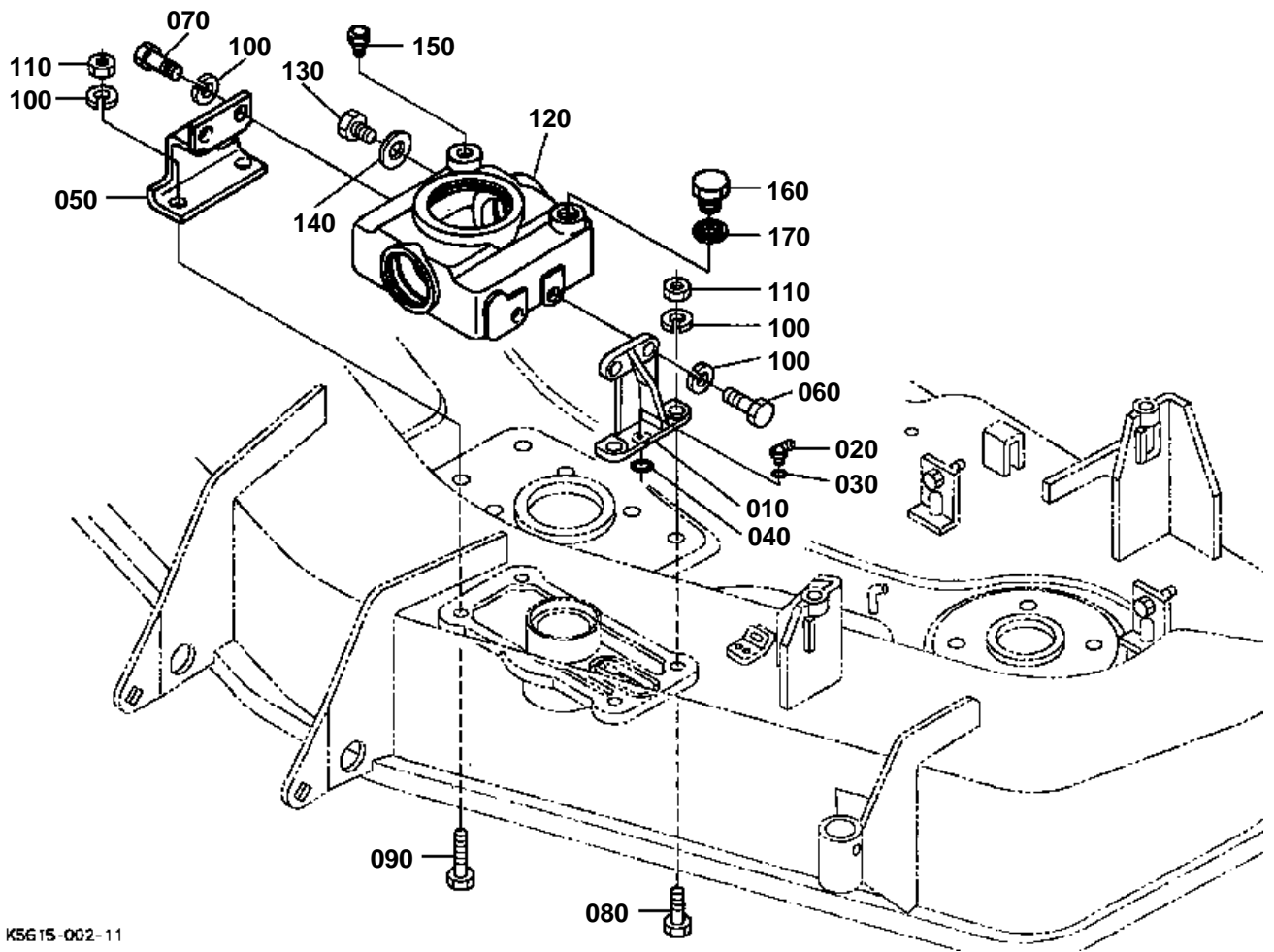


UNIVERSAL JOINT
S.No.;>=11886

↔ Interchangeable; ≠ not interchangeable; ← new for old; → old for new

REF.No	Part No.	Description	Q'ty	S.No.	I/C	REMARKS	Weight (kgf)	Weight (lb)
010	K5645-32010	ASSY JOINT UNIVERSAL	1				2.79	6.138
020	K5646-31130	YOKE PTO	1				0.4	0.88
030	K5645-31140	YOKE SHAFT	1				0.76	1.672
040	K5646-31150	YOKE QUICK	1				0.55	1.21
050	K5645-31170	ASSY YOKE SLEEVE	1				0.6	1.32
060	K5645-31190	YOKE SLEEVE	1				0.59	1.298
070	06613-10675	NIPPLE GREASE	1				0.003	0.0066
080	K5646-31180	ASSY JOINT CROSS	2				0.25	0.55
090	K5646-31220	JOINT CROSS	2				0.235	0.517
100	K5646-32120	RING SNAP	8				0.001	0.0022
110	70720-31212	NIPPLE GREASE	2				0.006	0.0132
120	01053-51035	BOLT	1				0.03	0.066
130	04512-60100	WASHER SPRING	1				0.002	0.0044

BEVEL GEAR CASE



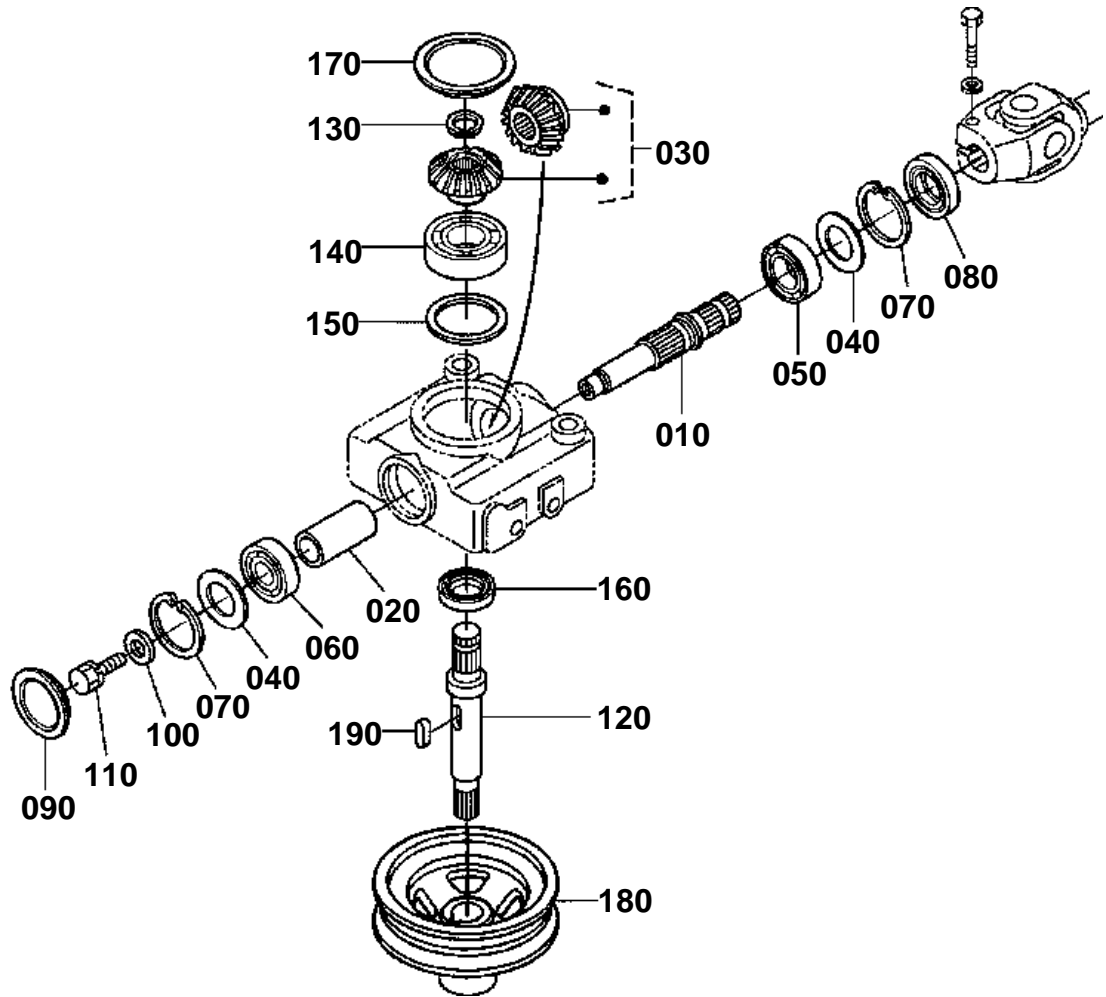
K5615-002-11

**BEVEL GEAR CASE**

↔ Interchangeable; ≠ not interchangeable; ← new for old; → old for new

REF.No	Part No.	Description	Q'ty	S.No.	I/C	REMARKS	Weight (kgf)	Weight (lb)
010	K5720-33130	STAY CASE LH	1				0.462	1.0164
020	K5763-44250	NIPPLE GREASE	1				0.01	0.022
030	K5763-27340	SHIM ADJUST	1				0.001	0.0022
040	04816-06120	O RING	1				0.002	0.0044
050	K5763-33150	STAY CASE RH	1				0.53	1.166
060	K5763-33210	BOLT REAMER	2				0.04	0.088
070	01073-51225	BOLT	2				0.035	0.077
080	K5763-33230	BOLT REAMER	2				0.045	0.099
090	01073-51235	BOLT	2				0.045	0.099
100	04512-60120	WASHER SPRING	8				0.005	0.011
110	02074-50120	NUT	4				0.015	0.033
120	K5761-33115	CASE BEVEL GEAR	1				3.82	8.404
130	01153-50812	BOLT	2				0.008	0.0176
140	04717-00800	WASHER WITH RUBBER	2				0.001	0.0022
150	K5761-33250	PLUG BREATHER	1				0.006	0.0132
160	06331-35016	PLUG	1				0.04	0.088
170	04711-00300	GASKET	1				0.001	0.0022

INPUT SHAFT/CENTER PULLEY



K5615-003-11

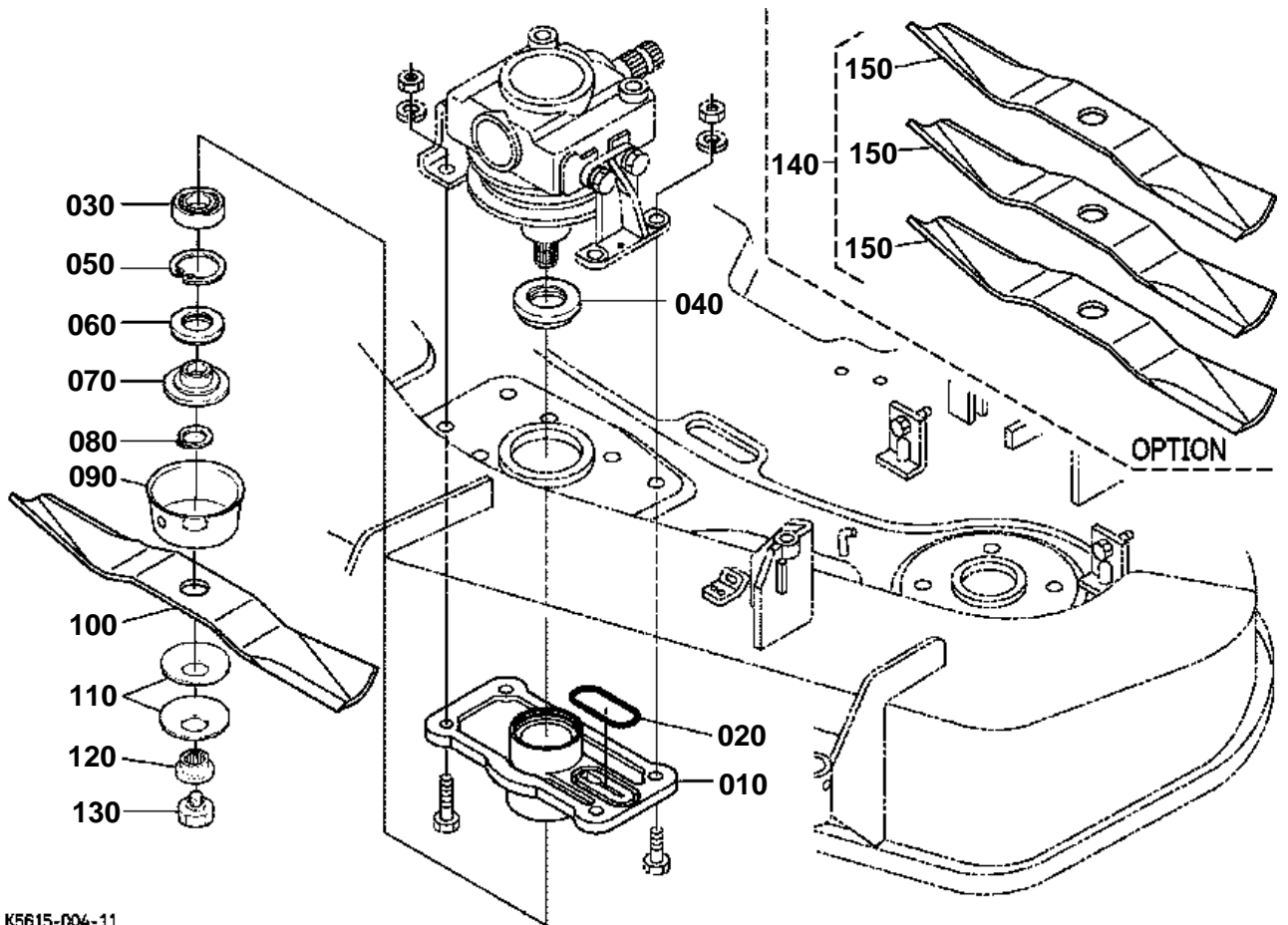


INPUT SHAFT/CENTER PULLEY

↔ Interchangeable; ≠ not interchangeable; ← new for old; → old for new

REF.No	Part No.	Description	Q'ty	S.No.	I/C	REMARKS	Weight (kgf)	Weight (lb)
010	K5645-33310	SHAFT PINION	1	≤11685			0	0
010	K5645-33312	SHAFT PINION	1	≥11686	←		0.54	1.188
020	K5671-33340	COLLAR	1	≤11685			0.105	0.231
020	K5671-33342	COLLAR	1	≥11686	←		0.112	0.2464
030	K5761-33320	KIT GEAR BEVEL	1			16-19T	0.45	0.99
040	36330-28420	SHIM	2			0.2mm	0.002	0.0044
040	36330-28410	SHIM	2			0.3mm	0.002	0.0044
050	08101-06205	BEARING BALL	1				0.14	0.308
060	08101-06304	BEARING BALL	1				0.146	0.3212
070	04611-00520	CIR CLIP INTERNAL	2				0.009	0.0198
080	76535-33440	SEAL OIL	1				0.02	0.044
090	63313-32270	CAP	1				0.03	0.066
100	04015-50100	WASHER PLAIN	1				0.016	0.0352
110	01133-51025	BOLT	1				0.023	0.0506
120	K5763-33500	SHAFT BEVEL GEAR	1				0.55	1.21
130	04612-00220	CIR CLIP EXTERNAL	1				0.001	0.0022
140	70712-33550	BEARING BALL	1				0.22	0.484
150	70712-33570	SHIM	1			0.1mm	0.001	0.0022
150	76539-33410	SHIM	1			0.2mm	0.001	0.0022
160	K5761-33540	SEAL OIL	1				0.012	0.0264
170	7C765-51260	CAP	1				0.07	0.154
180	K5371-33520	PULLEY CENTER	1				1.78	3.916
190	05712-00728	KEY FEATHER	1				0.01	0.022

PULLEY HOLDER/BLADE



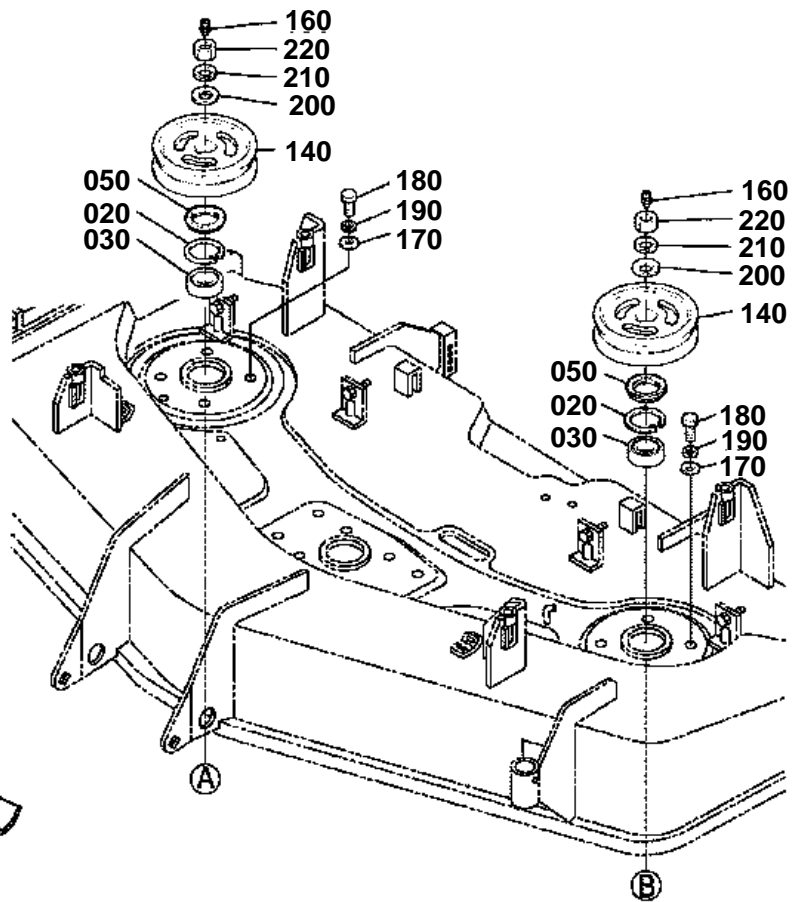
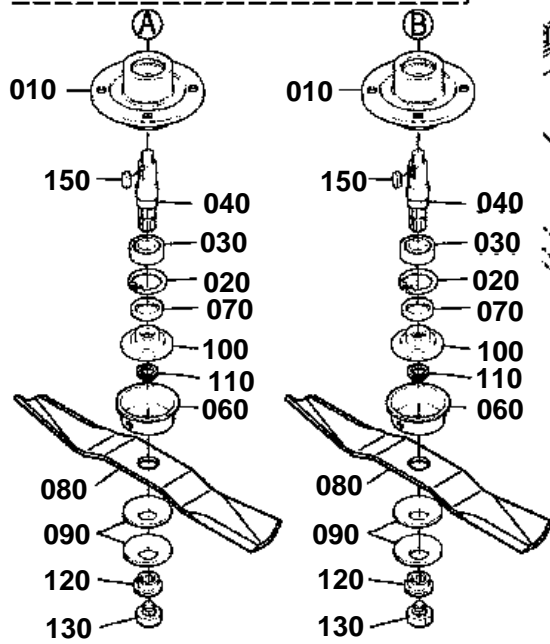
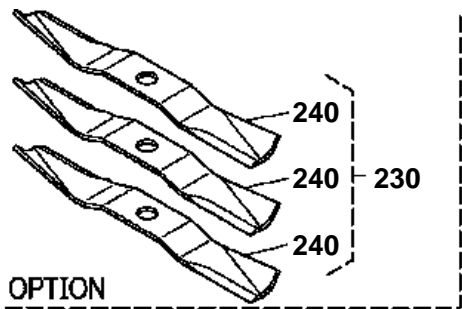
K5615-004-11



PULLEY HOLDER/BLADE

↔ Interchangeable; ≠ not interchangeable; ← new for old; → old for new

REF.No	Part No.	Description	Q'ty	S.No.	I/C	REMARKS	Weight (kgf)	Weight (lb)
010	K5371-34113	HOLDER PULLEY CENTER	1				1.2	2.64
020	04816-00500	O RING	1				0.003	0.0066
030	08101-06205	BEARING BALL	1				0.14	0.308
040	70722-34120	OIL SEAL UPPER	1				0.025	0.055
050	04611-00520	CIR CLIP INTERNAL	1				0.009	0.0198
060	70725-34162	OIL SEAL LOWER	1				0.024	0.0528
070	K5651-34150	BOSS SPLINE	1				0	0
070	K5761-34152	BOSS SPLINE	1		↔		0.28	0.616
080	04612-00220	CIR CLIP EXTERNAL	1				0.001	0.0022
090	K5651-34310	COVER DUST	1				0.1	0.22
100	K5764-34330	BLADE	1	≤11314		(STANDARD)	1.3	2.86
100	K5615-34330	BLADE	1	≥11315	≠	(STANDARD)	1.36	2.992
100	76529-34330	BLADE	1			OPTION(HIGH SUCTION)	1.45	3.19
110	K5651-34350	SPRING PLATE	2				0.07	0.154
120	K5651-34392	BOSS SPLINE	1				0	0
120	76539-34392	BOSS SPLINE	1		↔		0.06	0.132
130	K5651-34370	BOLT	1				0.08	0.176
140	K5615-97520	KIT BLADE	1	≤11314		OPTION(STANDARD)	4.2	9.24
140	K5615-97550	KIT BLADE	1	≥11315	≠	OPTION(STANDARD)	4.3	9.46
140	76529-99000	KIT BLADE	1			OPTION(HIGH SUCTION)	4.38	9.636
150	K5764-34330	BLADE	3	≤11314		OPTION(STANDARD)	1.3	2.86
150	K5615-34330	BLADE	3	≥11315	≠	OPTION(STANDARD)	1.36	2.992
150	76529-34330	BLADE	3			OPTION(HIGH SUCTION)	1.45	3.19



K5615-005-11

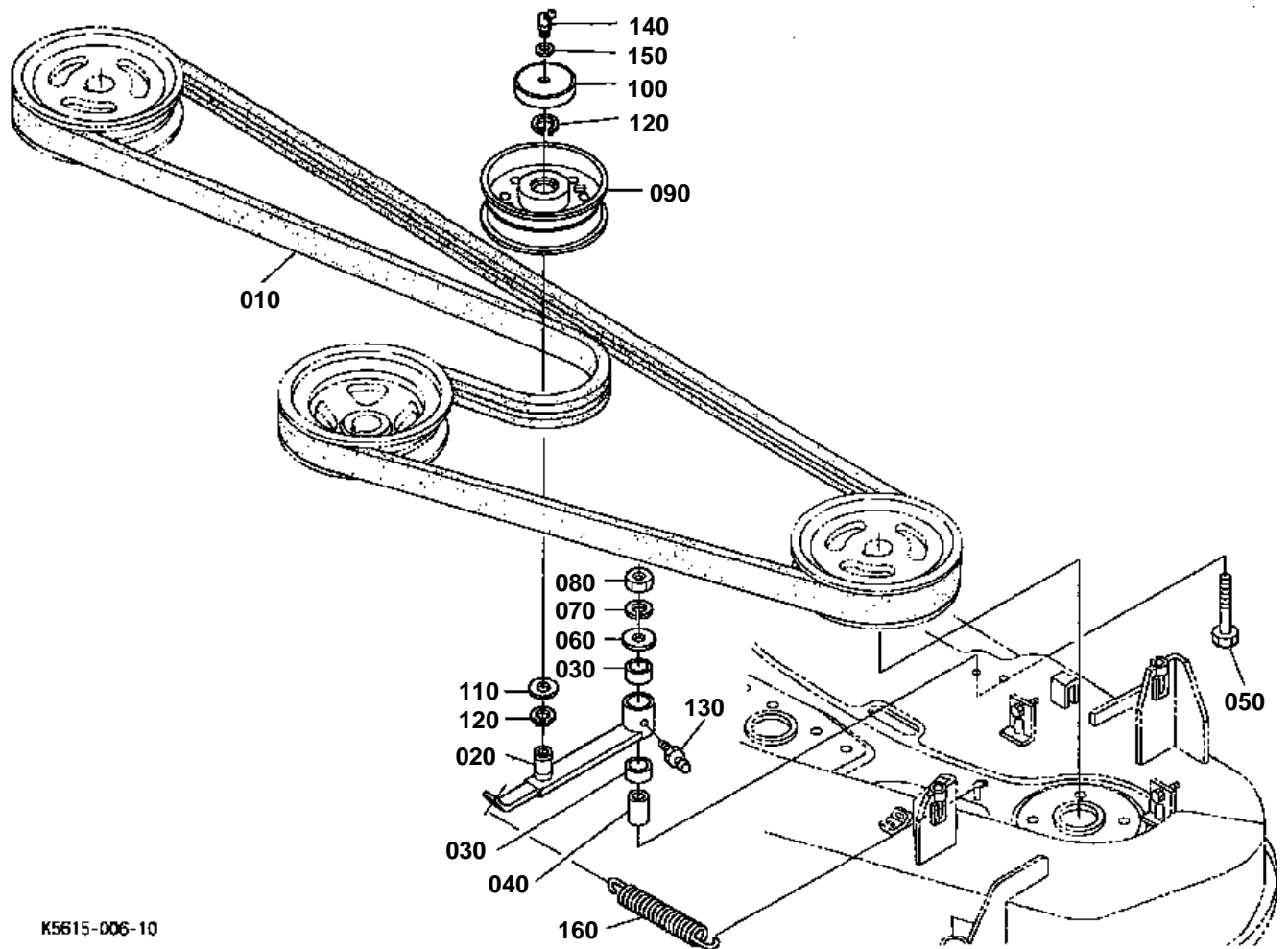


SIDE PULLEY/BLADE

↔ Interchangeable; ≠ not interchangeable; ← new for old; → old for new

REF.No	Part No.	Description	Q'ty	S.No.	I/C	REMARKS	Weight (kgf)	Weight (lb)
010	K5651-34510	HOLDER PULLEY SIDE	2				2.35	5.17
020	04611-00520	CIR CLIP INTERNAL	4				0.009	0.0198
030	08101-06205	BEARING BALL	4				0.14	0.308
040	K5651-34550	SHAFT BLADE	2				0.55	1.21
050	70722-34120	OIL SEAL UPPER	2				0.025	0.055
060	K5651-34310	COVER DUST	2				0.1	0.22
070	70725-34162	OIL SEAL LOWER	2				0.024	0.0528
080	K5764-34330	BLADE	2	≤11314		(STANDARD)	1.3	2.86
080	K5615-34330	BLADE	2	≥11315	≠	(STANDARD)	1.36	2.992
080	76529-34330	BLADE	2			OPTION(HIGH SUCTION)	1.45	3.19
090	K5651-34350	SPRING PLATE	4				0.07	0.154
100	K5651-34150	BOSS SPLINE	2				0	0
100	K5761-34152	BOSS SPLINE	2		↔		0.28	0.616
110	04612-00220	CIR CLIP EXTERNAL	2				0.001	0.0022
120	K5651-34392	BOSS SPLINE	2				0	0
120	76539-34392	BOSS SPLINE	2		↔		0.06	0.132
130	K5651-34370	BOLT	2				0.08	0.176
140	K5651-33580	PULLY SIDE	2				1.6	3.52
150	05712-00722	KEY FEATHER	2				0.009	0.0198
160	K1122-15150	NIPPLE GREASE	2				0.002	0.0044
170	75599-32015	WASHER PLAIN	8				0.01	0.022
180	01073-51225	BOLT	8				0.035	0.077
190	04512-60120	WASHER SPRING	8				0.005	0.011
200	K5651-34560	WASHER PLAIN	2				0.024	0.0528
210	75599-33017	WASHER SPRING LOCK	2				0.005	0.011
220	02074-50160	NUT	2				0.029	0.0638
230	K5615-97520	KIT BLADE	1	≤11314		OPTION(STANDARD)	4.2	9.24
230	K5615-97550	KIT BLADE	1	≥11315	≠	OPTION(STANDARD)	4.3	9.46
230	76529-99000	KIT BLADE	1			OPTION(HIGH SUCTION)	4.38	9.636
240	K5764-34330	BLADE	3	≤11314		OPTION(STANDARD)	1.3	2.86
240	K5615-34330	BLADE	3	≥11315	≠	OPTION(STANDARD)	1.36	2.992
240	76529-99000	KIT BLADE	3			OPTION(HIGH SUCTION)	4.38	9.636

TENSION PULLEY



K5615-006-10

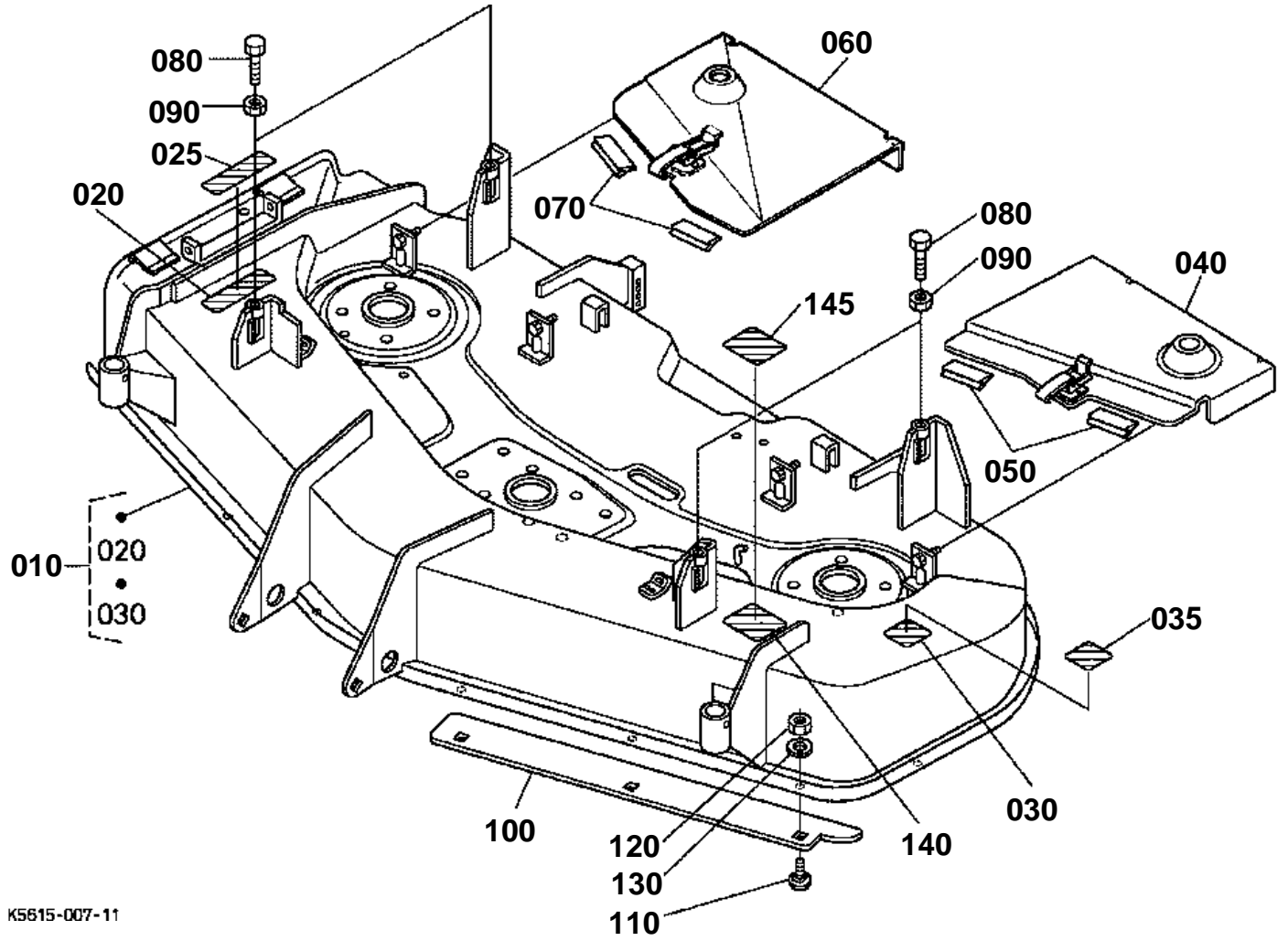


TENSION PULLEY

↔ Interchangeable; ≠ not interchangeable; ← new for old; → old for new

REF.No	Part No.	Description	Q'ty	S.No.	I/C	REMARKS	Weight (kgf)	Weight (lb)
010	K5764-34710	BELT MULTI	1				0.82	1.804
020	K5371-34730	ARM TENSION	1				0.57	1.254
030	K5651-20150	BUSHING TENSION	2				0.017	0.0374
040	K5651-34780	COLLAR TENSION	1				0.055	0.121
050	01073-51270	BOLT	1				0.06	0.132
060	75599-32015	WASHER PLAIN	1				0.01	0.022
070	04512-60120	WASHER SPRING	1				0.005	0.011
080	02074-50120	NUT	1				0.015	0.033
090	K5651-34880	PULLEY TENSION	1				0.55	1.21
100	K5651-34790	COVER TENSION	1				0.02	0.044
110	K5651-34800	SEAL BEARING	1				0.001	0.0022
120	04612-00170	CIR CLIP EXTERNAL	2				0.001	0.0022
130	K1122-15150	NIPPLE GREASE	1				0.002	0.0044
140	K5763-12100	NIPPLE GREASE	1				0.007	0.0154
150	K5763-27350	SHIM ADJUST	1				0.001	0.0022
160	K5763-34750	SPRING TENSION	1				0.17	0.374

MOWER DECK



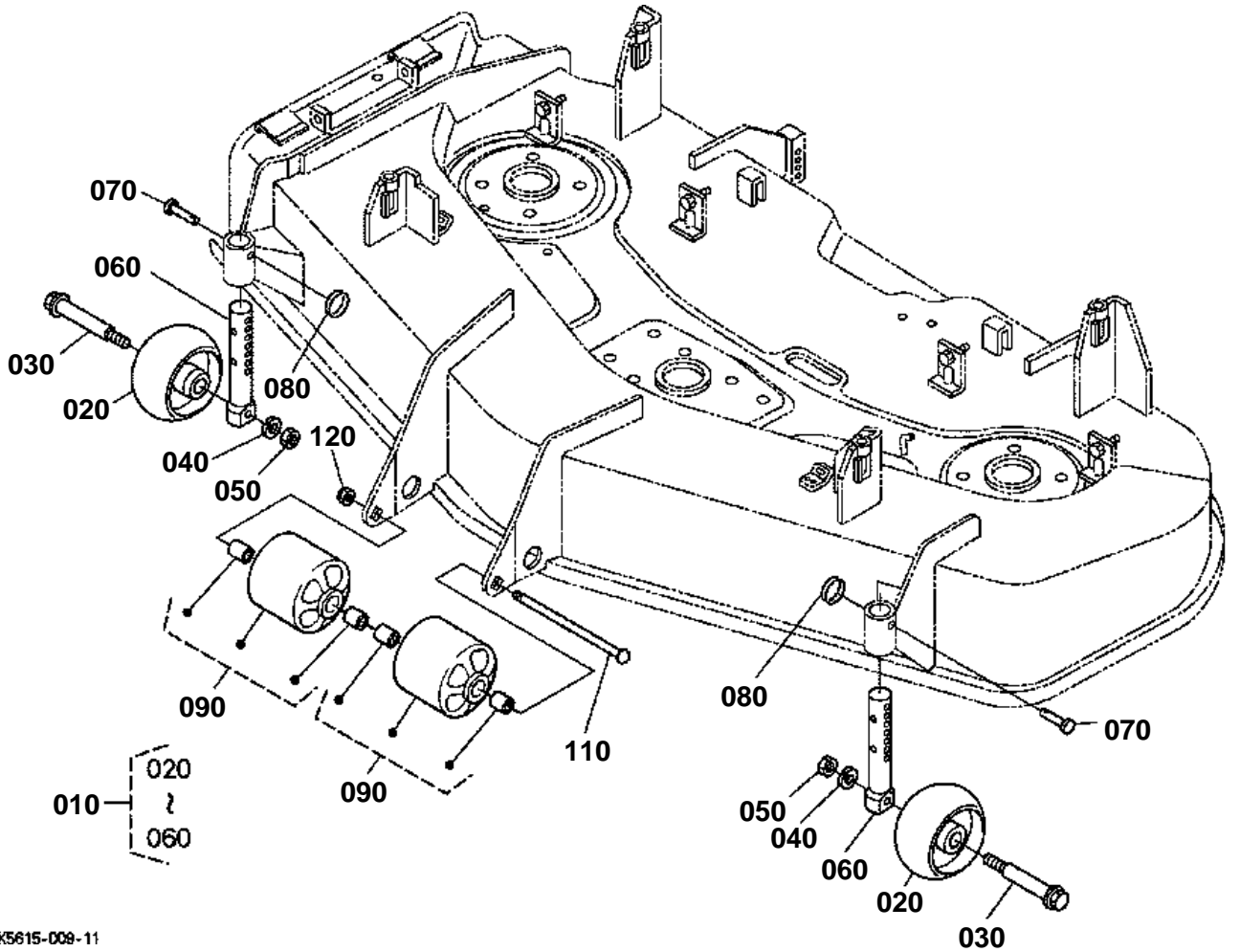
K5615-007-11

**MOWER DECK**

↔ Interchangeable; ≠ not interchangeable; ← new for old; → old for new

REF.No	Part No.	Description	Q'ty	S.No.	I/C	REMARKS	Weight (kgf)	Weight (lb)
010	K5615-41100	ASSY MOWER DECK	1	<=11345			0	0
010	K5615-41102	ASSY MOWER DECK	1	>=11346	←		81	178.2
020	K5112-73110	LABEL DANGER	1			ENGLISH	0.002	0.0044
025	K1127-65710	LABEL DANGER	1			FRENCH	0.01	0.022
030	K5112-73120	LABEL DANGER	1			ENGLISH	0.001	0.0022
035	K1127-65720	LABEL DANGER	1			FRENCH	0.002	0.0044
040	K5615-41180	COVER LEFT	1				1.9	4.18
050	K5645-41510	CUSHION	2				0.025	0.055
060	K5764-41200	COVER RIGHT	1				1.5	3.3
070	K5645-41510	CUSHION	2				0.025	0.055
080	K5645-41910	BOLT ADJUSTER	4				0.05	0.11
090	02074-50120	NUT	4				0.015	0.033
100	K5221-72910	PLATE FRONT LH	1				0.825	1.815
110	K1122-91320	BOLT SHORT SQU.NECK	3				0.01	0.022
120	02054-50080	NUT	3				0.005	0.011
130	75599-33012	WASHER SPRING	3				0.002	0.0044
140	K5645-73130	LABEL ANTI-SCALP	1			ENGLISH	0.007	0.0154
145	K3116-73130	LABEL ANTI-SCALP	1			FRENCH	0	0

FRONT GAUGE WHEEL



K5615-009-11

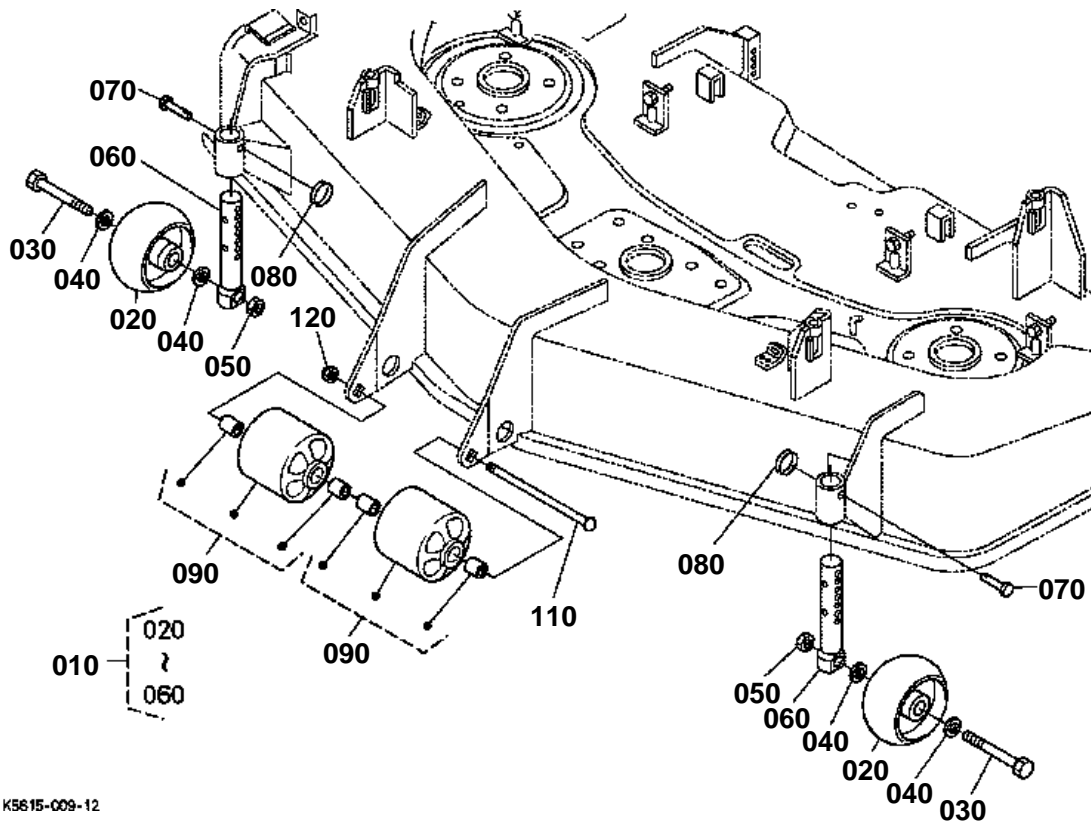


FRONT GAUGE WHEEL
S.No.;<=11314

↔ Interchangeable; ≠ not interchangeable; ← new for old; → old for new

REF.No	Part No.	Description	Q'ty	S.No.	I/C	REMARKS	Weight (kgf)	Weight (lb)
010	K5371-42100	ASSY GAUGE WHEEL	2				1.25	2.75
020	K5371-42110	GAUGE WHEEL	2				0.46	1.012
030	K5221-72670	BOLT SHOULDER	2				0.15	0.33
040	04512-60100	WASHER SPRING	2				0.002	0.0044
050	02014-50100	NUT	2				0.011	0.0242
060	K5221-72680	PIN GAUGE WHEEL	2				0.65	1.43
070	75599-51235	PIN CLEVIS	2				0.03	0.066
080	K5112-72730	RING SNAP	2				0.01	0.022
090	K5763-46250	ASSY ROLLER	2				0.32	0.704
100	99999-99999	BLANK	0				0	0
110	K5221-72650	BOLT GAUGE	1				0.25	0.55
120	02572-50120	NUT SELF-LOCKING	1				0.014	0.0308

FRONT GAUGE WHEEL



K5615-009-12

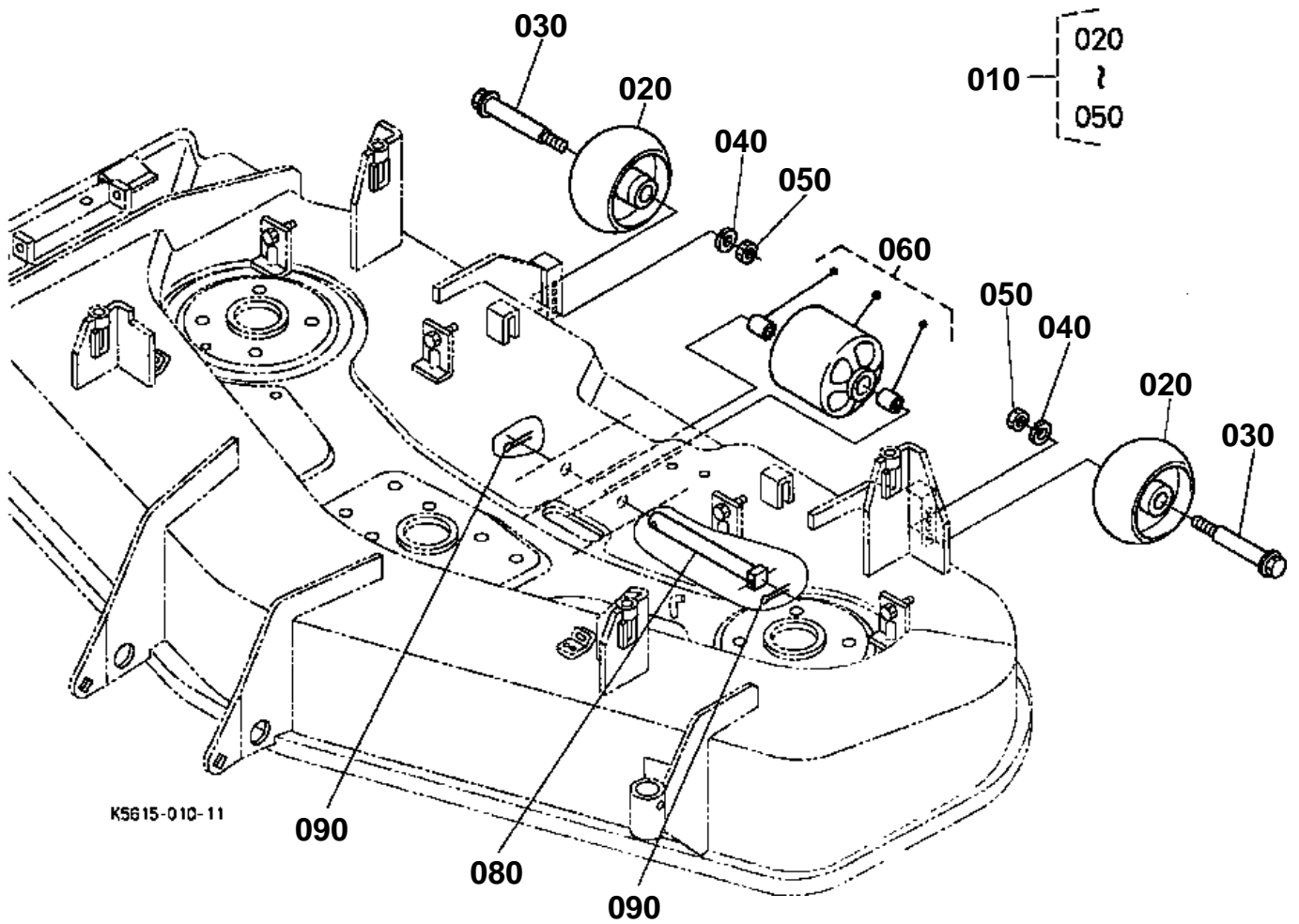


FRONT GAUGE WHEEL
S.No.;>=11315

↔ Interchangeable; ≠ not interchangeable; ← new for old; → old for new

REF.No	Part No.	Description	Q'ty	S.No.	I/C	REMARKS	Weight (kgf)	Weight (lb)
010	K5645-42200	ASSY GAUGE WHEEL	2				1.32	2.904
020	K5371-42110	GAUGE WHEEL	2				0.46	1.012
030	01073-51602	BOLT	2				0.21	0.462
040	04013-60160	WASHER PLAIN	4				0.01	0.022
050	02072-50160	NUT	2				0.022	0.0484
060	K5645-72680	PIN GAUGE WHEEL	2				0.62	1.364
070	75599-51235	PIN CLEVIS	2				0.03	0.066
080	K5112-72730	RING SNAP	2				0.01	0.022
090	K5763-46250	ASSY ROLLER	2				0.32	0.704
100	99999-99999	BLANK	0				0	0
110	K5221-72650	BOLT GAUGE	1				0.25	0.55
120	02572-50120	NUT LOCK	1				0.014	0.0308

REAR WHEEL



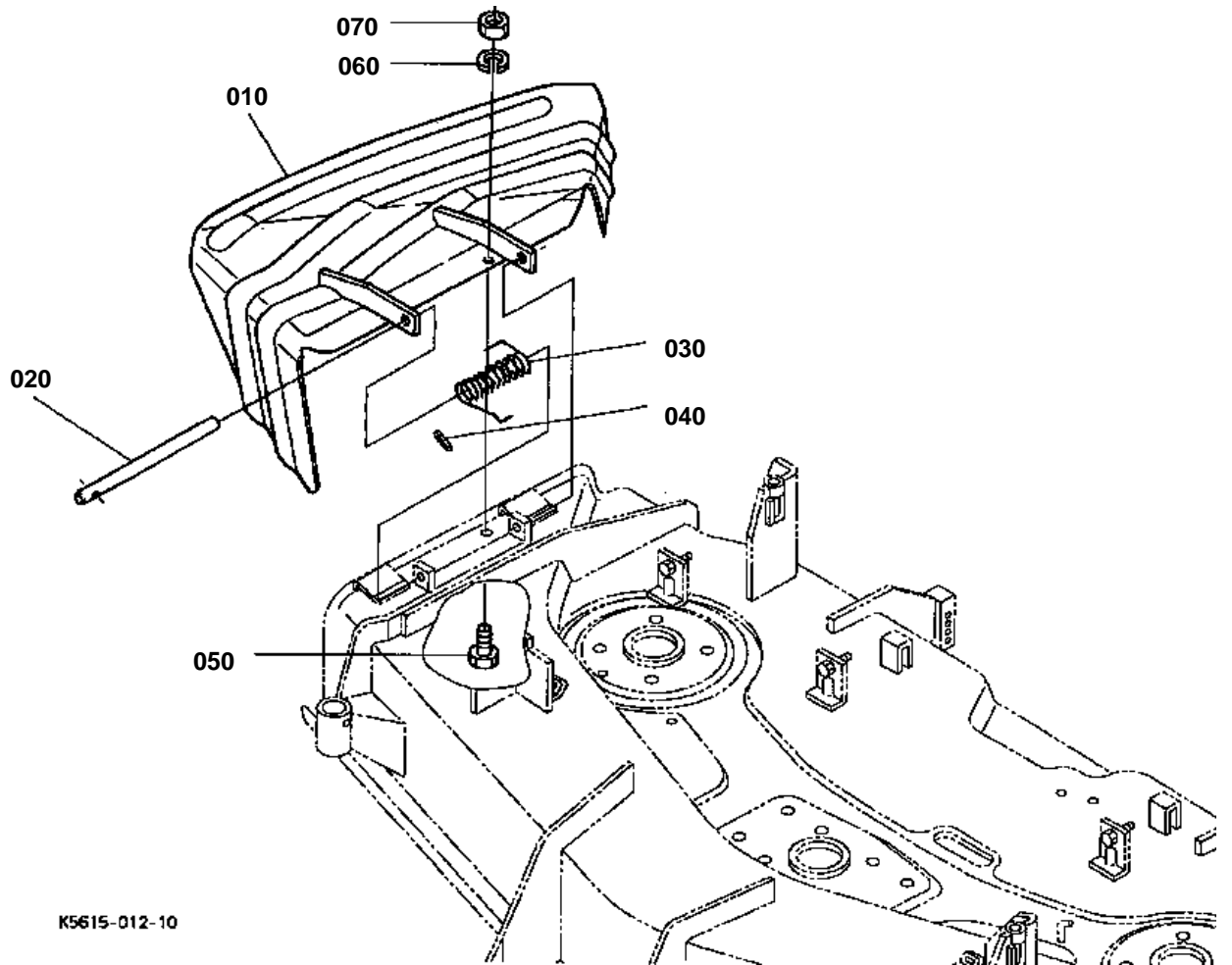
K5615-010-11

**REAR WHEEL**

↔ Interchangeable; ≠ not interchangeable; ← new for old; → old for new

REF.No	Part No.	Description	Q'ty	S.No.	I/C	REMARKS	Weight (kgf)	Weight (lb)
010	K5645-42100	ASSY GAUGE WHEEL	2				0.625	1.375
020	K5371-42110	GAUGE WHEEL	2				0.46	1.012
030	K5221-72670	BOLT SHOULDER	2				0.15	0.33
040	04512-60100	WASHER SPRING	2				0.002	0.0044
050	02014-50100	NUT	2				0.011	0.0242
060	K5763-46250	ASSY ROLLER	1				0.32	0.704
070	99999-99999	BLANK	0				0	0
080	K5112-72650	PIN GAUGE	1				0.3	0.66
090	75599-53173	PIN COTTER	2				0.002	0.0044

DISCHARGE COVER

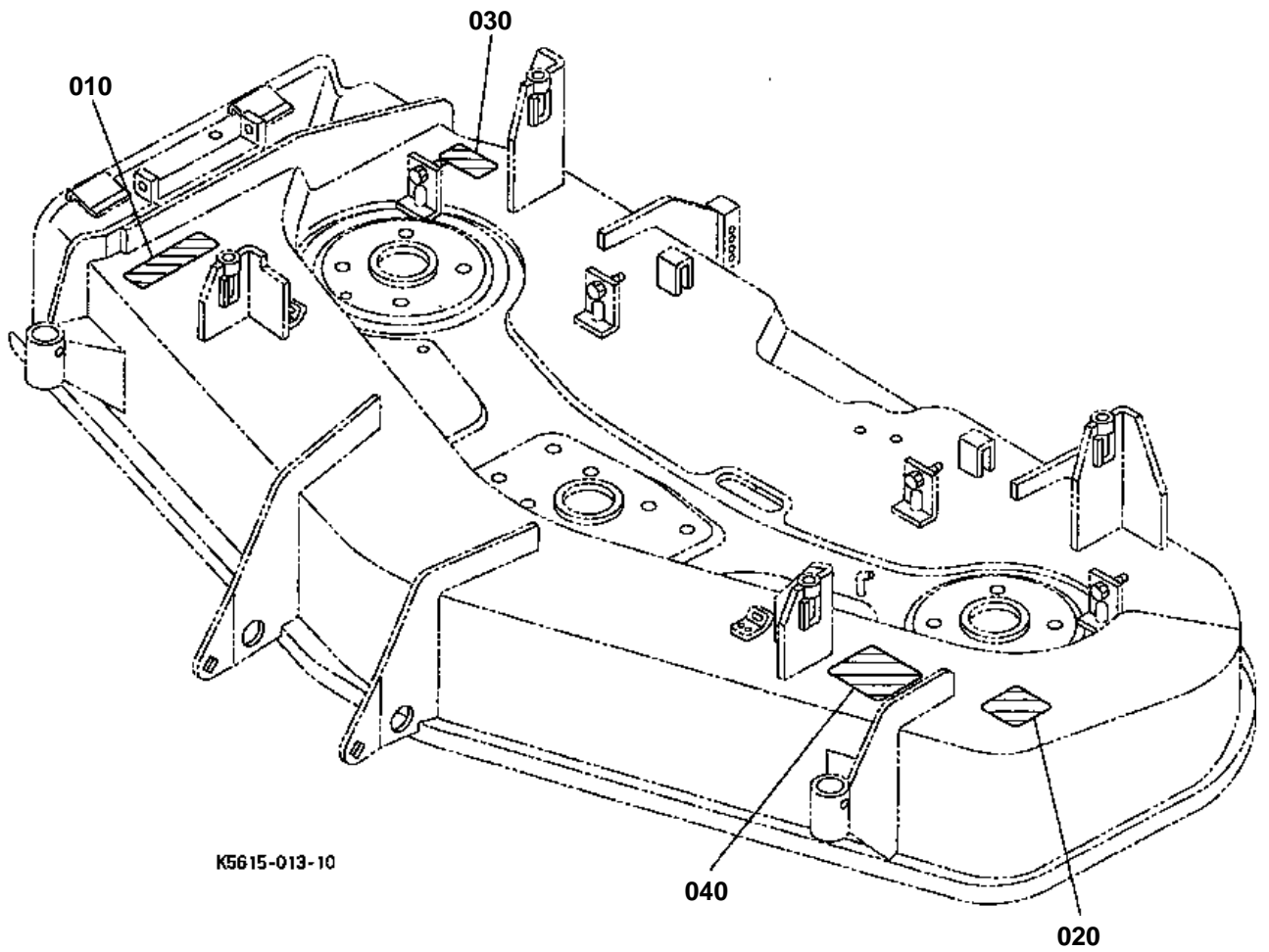




DISCHARGE COVER

↔ Interchangeable; ≠ not interchangeable; ← new for old; → old for new

REF.No	Part No.	Description	Q'ty	S.No.	I/C	REMARKS	Weight (kgf)	Weight (lb)
010	K5651-47110	COVER DISCHARGE	1				4.8	10.56
020	K5651-47150	PIN DISCHARGE	1				0.2	0.44
030	K5651-47160	SPRING DISCHARGE	1				0.12	0.264
040	75599-52525	PIN SPRING	1				0.004	0.0088
050	01073-51030	BOLT	1				0.028	0.0616
060	04512-60100	WASHER SPRING	1				0.002	0.0044
070	02018-50100	NUT	1				0.011	0.0242



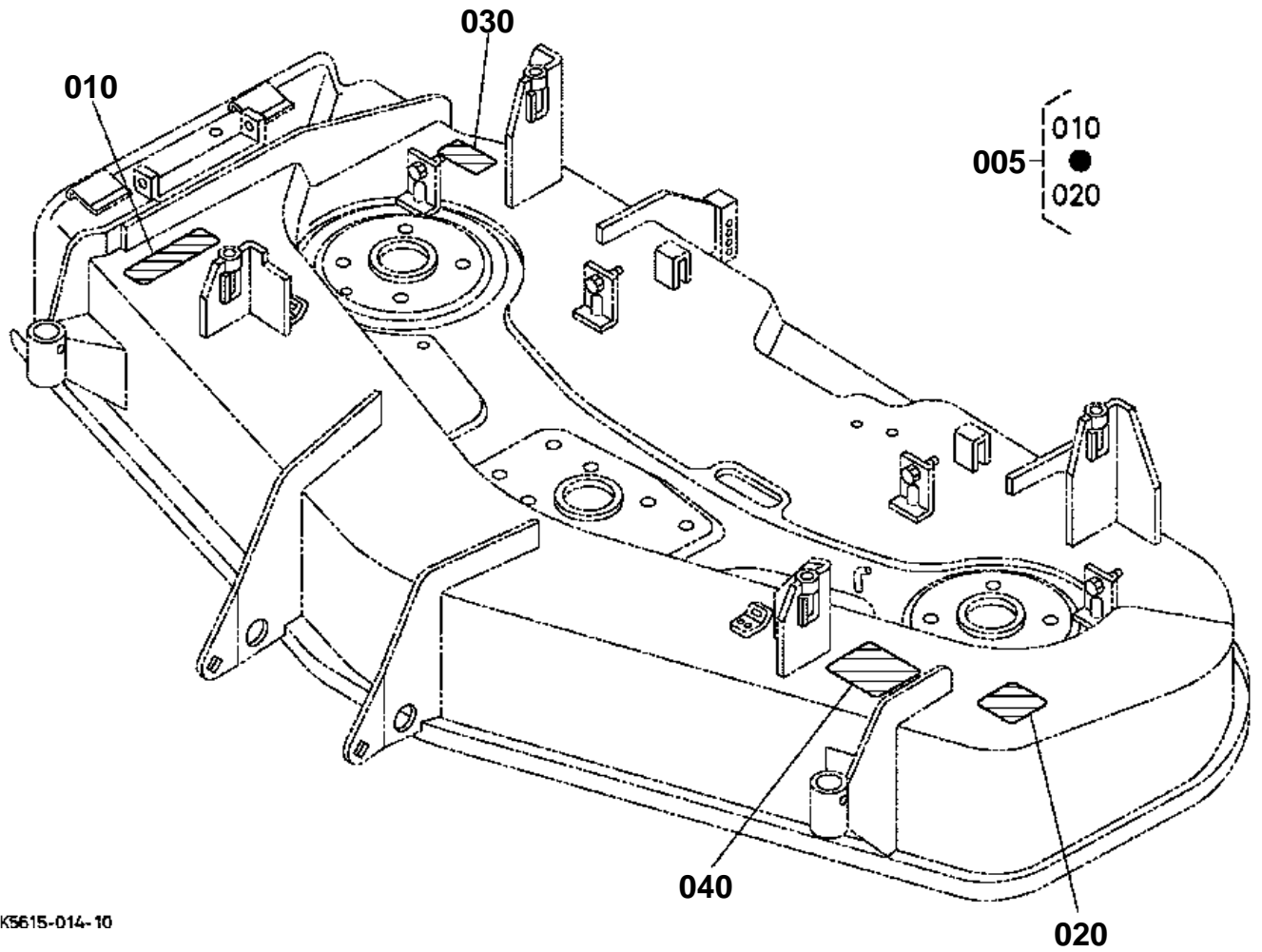
K5615-013-10



MOWER LABEL [ENGLISH]

↔ Interchangeable; ≠ not interchangeable; ← new for old; → old for new

REF.No	Part No.	Description	Q'ty	S.No.	I/C	REMARKS	Weight (kgf)	Weight (lb)
010	K5112-73110	LABEL DANGER	1				0.002	0.0044
020	K5112-73120	LABEL DANGER	1				0.001	0.0022
030	99999-99999	PLATE NAME	1				0	0
040	K5645-73130	LABEL ANTI-SCALP	1				0.007	0.0154



K5615-014-10



MOWER LABEL [FRENCH]

↔ Interchangeable; ≠ not interchangeable; ← new for old; → old for new

REF.No	Part No.	Description	Q'ty	S.No.	I/C	REMARKS	Weight (kgf)	Weight (lb)
005	K1217-65710	LABEL SET DANGER	1				0.01	0.022
010	K1127-65710	LABEL DANGER	1				0.01	0.022
020	K1127-65720	LABEL DANGER	1				0.002	0.0044
030	99999-99999	PLATE NAME	1				0	0
040	K3116-88170	LABEL CAUTION	1				0.01	0.022