

# Instructions for Parts Books

The heading at the top of the page will be the same for the picture of the parts as it is for the page with the part numbers.

Definition of column headings on part number pages:

**REF.No** → The number referring to the part on the picture page of the parts book.

**Part No.** → The number assigned to this part at the time of printing the parts book.

**Description** → Description of part.

**Q'ty** → Quantity of part used on that page.

**S.No.** → Serial number range of the equipment that this part will fit.

>= Your serial number should be greater than or equal to the number shown.

<= Your serial number should be lesser than or equal to the serial number shown.

**I/C** → Interchangeability of part shown.

↔ The part shown will work for the older and later serial number.

# The part shown is not interchangeable with the other serial number.

← new for old

→ old for new

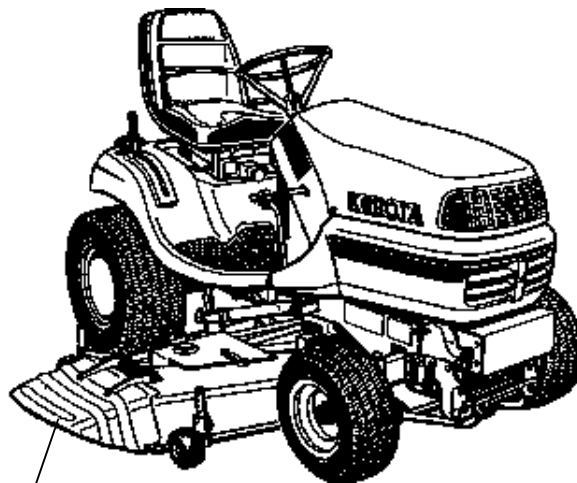
**Remarks** → Notes about this particular part. Sometimes this may say except [FR] or [CA]

## Note about Country Codes:

The parts books we use in the United States of America may also contain information about a part that would be different in another country. It is important that you are aware of the country codes in some instances.

Symbol	Country
A	United States of America
CA	Canada
FR	France
GR	Greece
PO	Portugal
AU	Australia

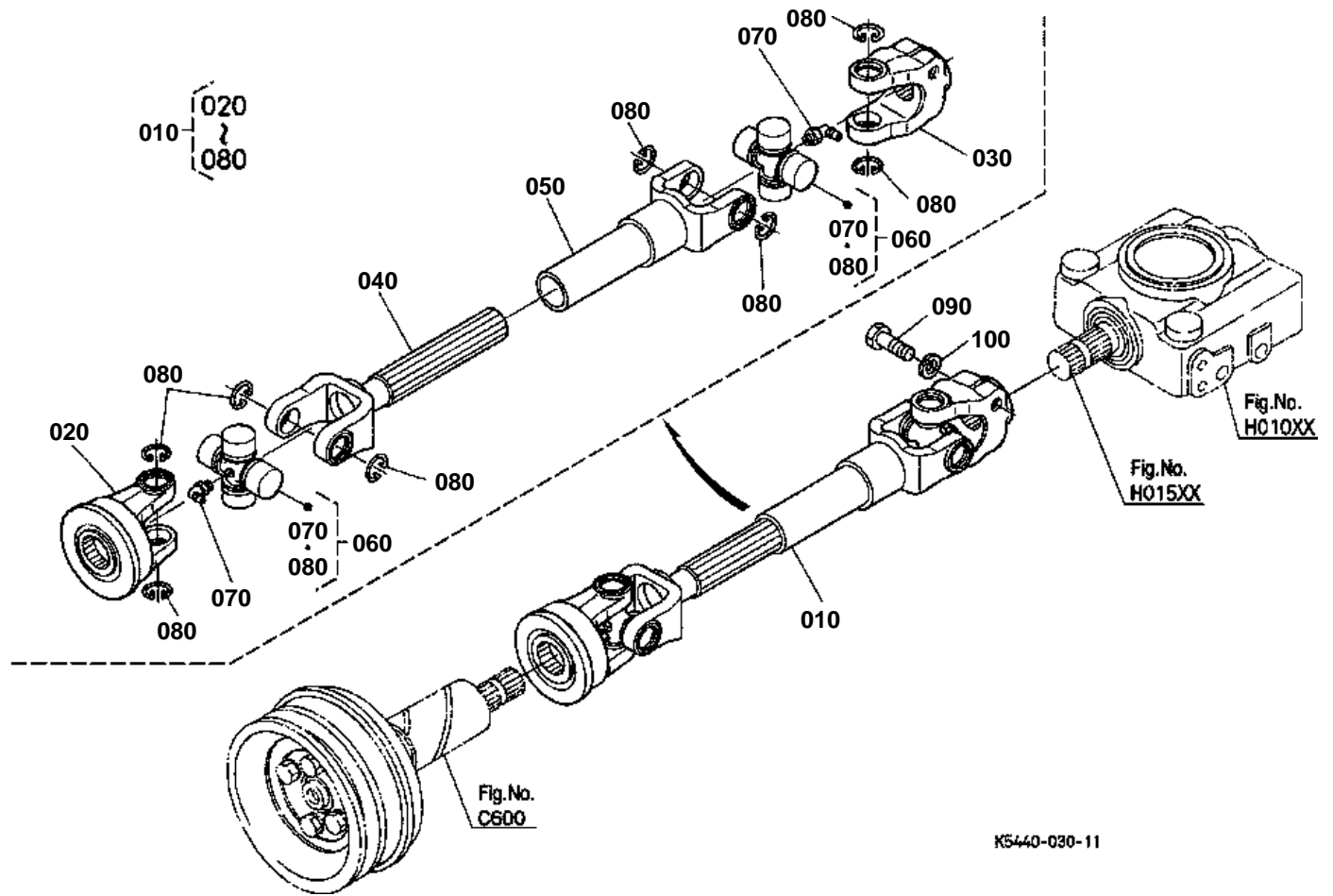
If the remarks column says for example EXCEPT [FR] this part works in all countries except France. That means it will work here in the USA.



MOWER

Item	Part No.	Description	Book
MOWER	03H00101	UNIVERSAL JOINT	100K0737
	03H01001	BEVEL GEAR CASE	100K0737
	03H01501	INPUT SHAFT/CENTER PULLEY	100K0737
	03H02001	PULLEY HOLDER/BLADE(CENTER)	100K0737
	03H03001	PULLEY HOLDER/BLADE(LEFT)	100K0737
	03H04001	PULLEY HOLDER/BLADE(RIGHT)	100K0737
	03H10001	TENSION PULLEY/MOWER BELT	100K0737
	03H20004	MOWER DECK AND COVER	100K0737
	03H21001	DISCHARGE COVER	100K0737
	03H30001	GAUGE WHEEL	100K0737
	03H50002	FRONT LINK LEVER	100K0737
	03H80001	MOWER LABEL [RCK54-24G/RCK60B-24G]	100K0737

UNIVERSAL JOINT



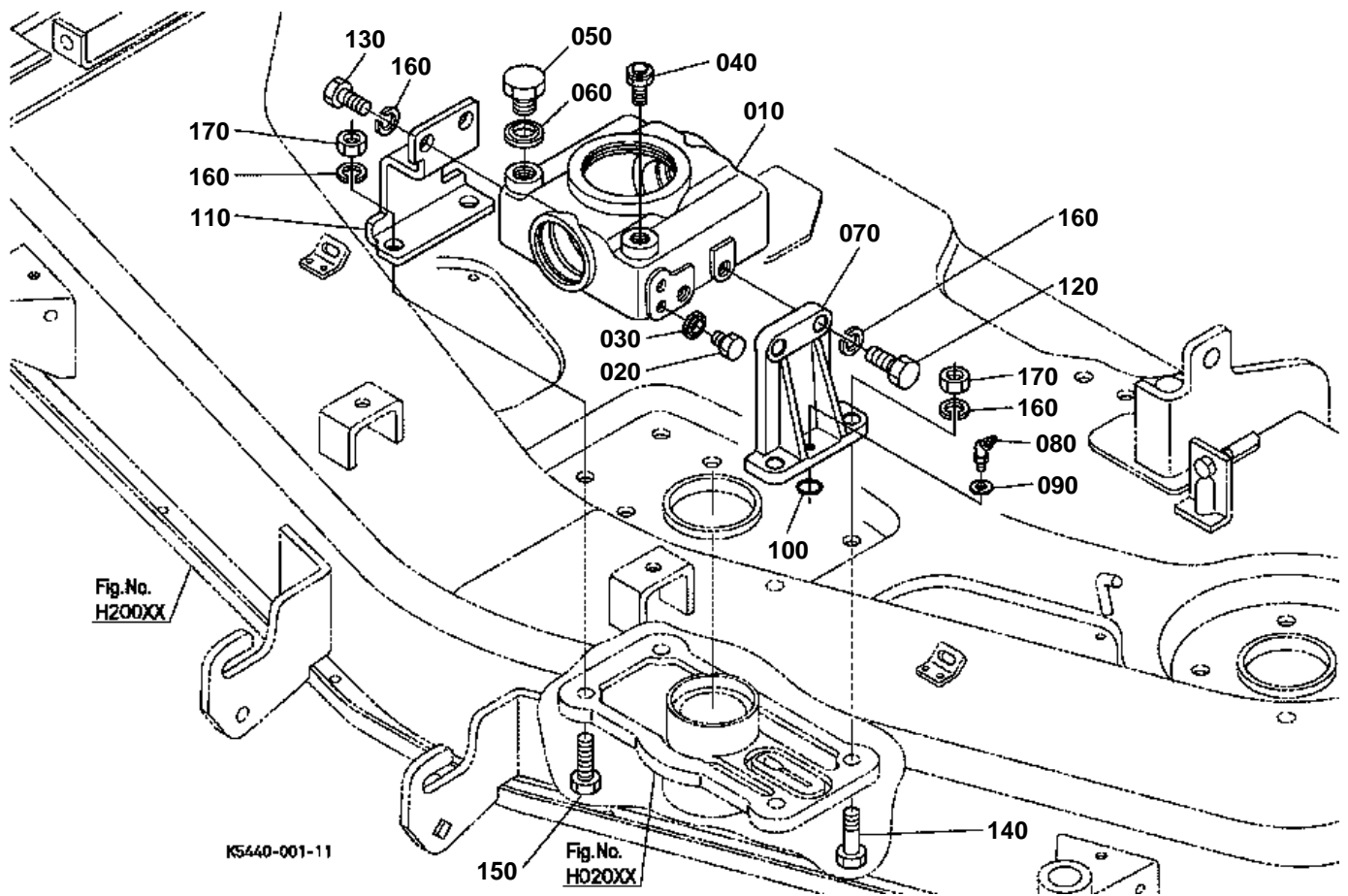


# UNIVERSAL JOINT

↔ Interchangeable; ≠ not interchangeable; ← new for old; → old for new

REF.No	Part No.	Description	Q'ty	S.No.	I/C	REMARKS	Weight (kgf)	Weight (lb)
010	K5460-32030	ASSY JOINT UNIVERSAL	1				3.05	6.71
020	76539-31150	YOKE QUICK	1				0.55	1.21
030	K5371-31130	YOKE PTO	1				0.48	1.056
040	K5460-31190	SHAFT JOINT	1				0.98	2.156
050	K5700-31170	YOKE JOINT	1				0.61	1.342
060	76539-31180	ASSY JOINT CROSS	2				0.2	0.44
070	76539-31210	NIPPLE GREASE	2				0.01	0.022
080	76539-32120	RING SNAP	8				0.003	0.0066
090	01053-51035	BOLT	1				0.03	0.066
100	04512-60100	WASHER SPRING	1				0.002	0.0044

BEVEL GEAR CASE

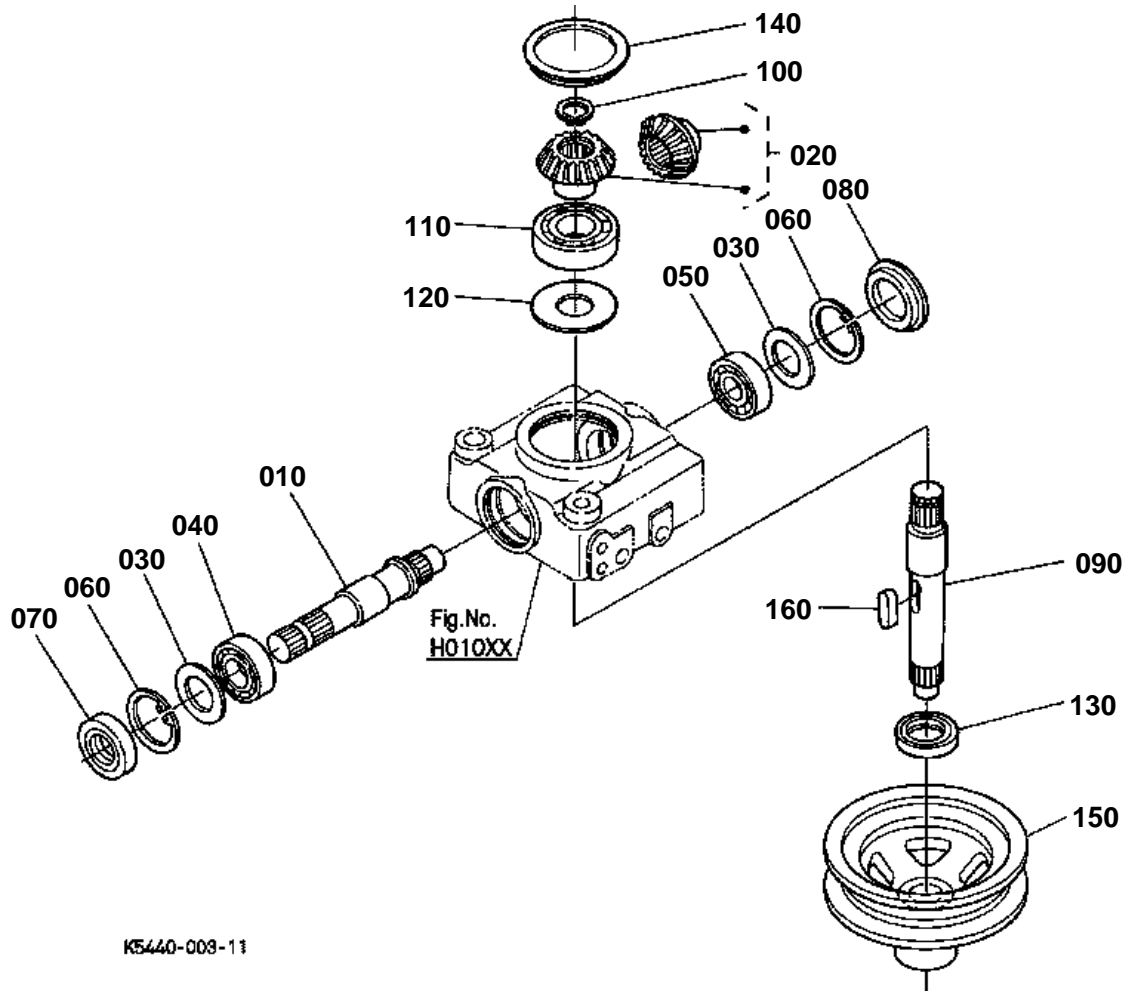


**BEVEL GEAR CASE**

↔ Interchangeable; ≠ not interchangeable; ← new for old; → old for new

REF.No	Part No.	Description	Q'ty	S.No.	I/C	REMARKS	Weight (kgf)	Weight (lb)
010	K5761-33115	CASE BEVEL GEAR	1				3.82	8.404
020	01153-50812	BOLT	2				0.008	0.0176
030	04717-00800	WASHER WITH RUBBER	2				0.001	0.0022
040	K5761-33250	PLUG BREATHER	1				0.006	0.0132
050	06331-35016	PLUG	1				0.04	0.088
060	04711-00300	GASKET	1				0.001	0.0022
070	K5460-72010	STAY CASE LH	1				0.66	1.452
080	K5763-44250	NIPPLE GREASE	1				0.01	0.022
090	K5763-27340	SHIM ADJUST	1				0.001	0.0022
100	04811-06120	O RING	1				0	0
100	04816-06120	O RING	1		←		0.002	0.0044
110	K5460-72020	STAY CASE RH	1				0.001	0.0022
120	K5763-33210	BOLT REAMER	2				0.04	0.088
130	01073-51225	BOLT	2				0.035	0.077
140	K5763-33230	BOLT REAMER	2				0.045	0.099
150	01073-51235	BOLT	2				0.045	0.099
160	04512-60120	WASHER SPRING	8				0.005	0.011
170	02074-50120	NUT	4				0.015	0.033

INPUT SHAFT/CENTER PULLEY



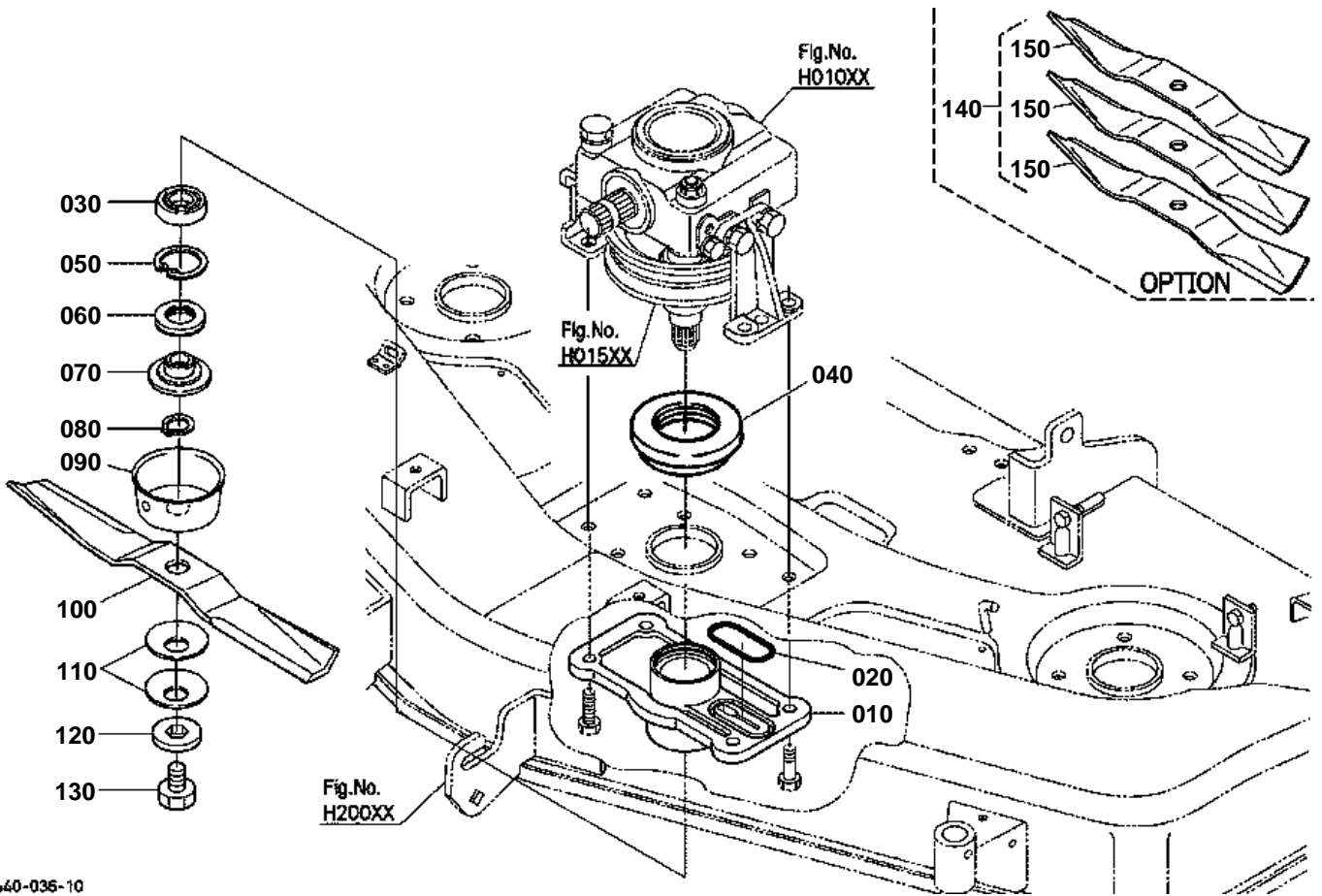


**INPUT SHAFT/CENTER PULLEY**

↔ Interchangeable; ≠ not interchangeable; ← new for old; → old for new

REF.No	Part No.	Description	Q'ty	S.No.	I/C	REMARKS	Weight (kgf)	Weight (lb)
010	K5763-33310	SHAFT PINION	1				0.66	1.452
020	K5763-33320	KIT GEAR BEVEL	1			17-18T	0.45	0.99
030	36330-28420	SHIM	2			0.2mm	0.002	0.0044
030	36330-28410	SHIM	2			0.3mm	0.002	0.0044
040	08101-06205	BEARING BALL	1				0.14	0.308
050	08101-06304	BEARING BALL	1				0.146	0.3212
060	04611-00520	CIR CLIP INTERNAL	2				0.009	0.0198
070	76535-33440	SEAL OIL	1				0.02	0.044
080	63313-32270	CAP	1				0.03	0.066
090	K5460-71270	SHAFT BLADE	1				0.67	1.474
100	04612-00220	CIR CLIP EXTERNAL	1				0.001	0.0022
110	70712-33550	BEARING BALL	1				0.22	0.484
120	70712-33570	SHIM	1			0.1mm	0.001	0.0022
120	76539-33410	SHIM	1			0.2mm	0.001	0.0022
130	K5761-33540	SEAL OIL	1				0.012	0.0264
140	7C765-51260	CAP	1				0.07	0.154
150	K5371-33520	PULLEY CENTER	1				1.78	3.916
160	05712-00728	KEY FEATHER	1				0.01	0.022

PULLEY HOLDER/BLADE(CENTER)



K5440-036-10

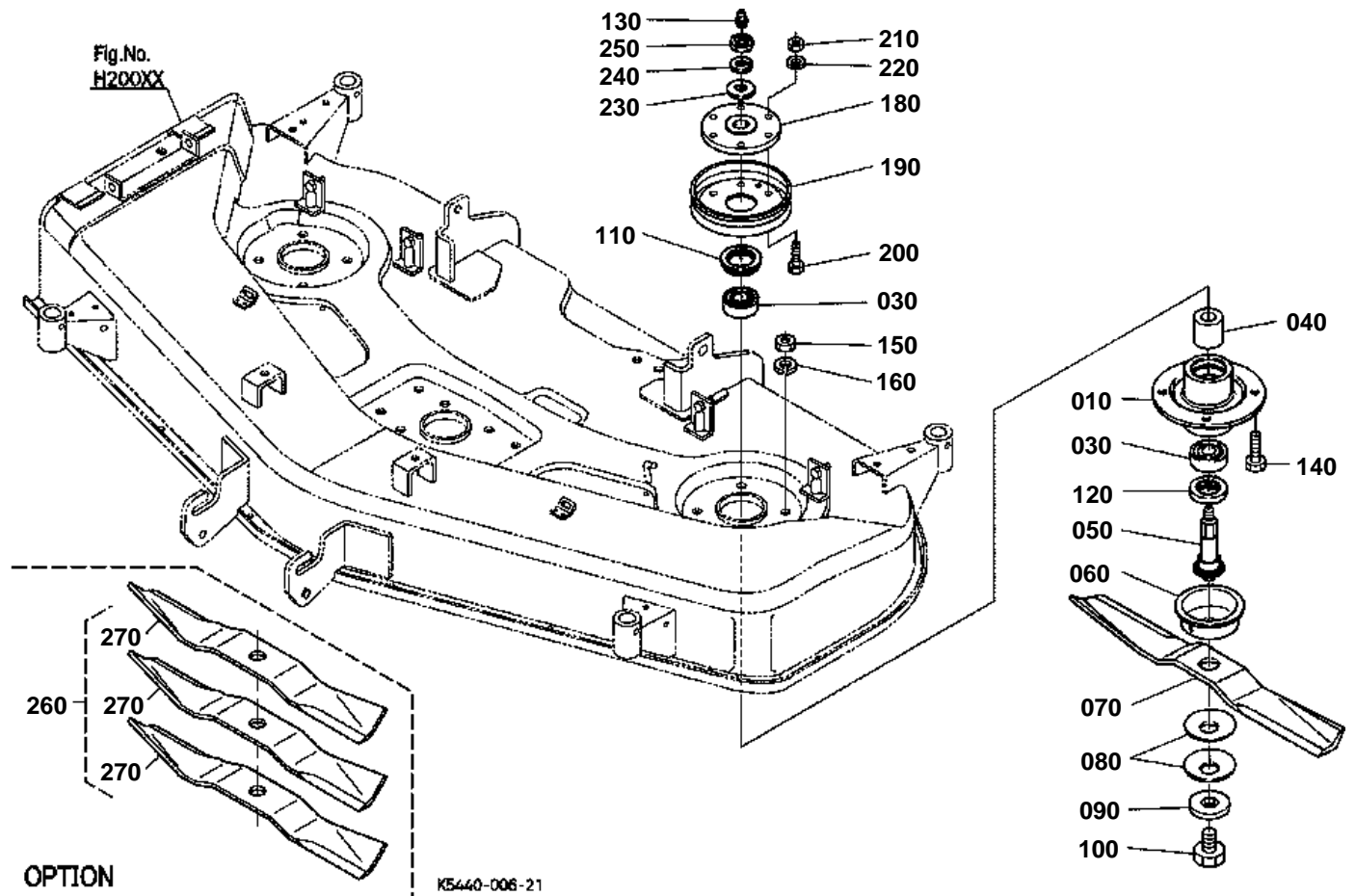


PULLEY HOLDER/BLADE(CENTER)

↔ Interchangeable; ≠ not interchangeable; ← new for old; → old for new

REF.No	Part No.	Description	Q'ty	S.No.	I/C	REMARKS	Weight (kgf)	Weight (lb)
010	K5371-34110	HOLDER PULLEY CENTER	1	<=10447			0	0
010	K5371-34113	HOLDER PULLEY CENTER	1	>=10448	←		1.2	2.64
020	04811-00500	O RING	1				0	0
020	04816-00500	O RING	1		←		0.003	0.0066
030	08101-06205	BEARING BALL	1				0.14	0.308
040	K5651-34120	OIL SEAL UPPER	1			NOT SALE	0	0
040	70722-34120	OIL SEAL UPPER	1		←		0.025	0.055
050	04611-00520	CIR CLIP INTERNAL	1				0.009	0.0198
060	K5651-34160	SEAL OIL	1			NOT SALE	0	0
060	70725-34162	OIL SEAL LOWER	1		←		0.024	0.0528
070	K5761-34152	BOSS SPLINE	1				0.28	0.616
080	04612-00220	CIR CLIP EXTERNAL	1				0.001	0.0022
090	K5651-34310	COVER DUST	1				0.1	0.22
100	K5371-34330	BLADE	1				1.52	3.344
100	K5371-34340	BLADE	1		↔		1.5	3.3
110	K5371-34350	SPRING CORN	2				0.03	0.066
120	K5371-34390	WASHER LOCK	1				0.052	0.1144
130	K5371-34370	BOLT BLADE	1				0.078	0.1716
140	K5371-97550	KIT BLADE	1			OPTION(HI-LIFT)	4.684	10.3048
150	K5371-99020	BLADE	3			OPTION(HI-LIFT)	1.4	3.08
150	K5371-99040	BLADE	3		↔	OPTION(HI-LIFT)	0	0

PULLEY HOLDER/BLADE(LEFT)



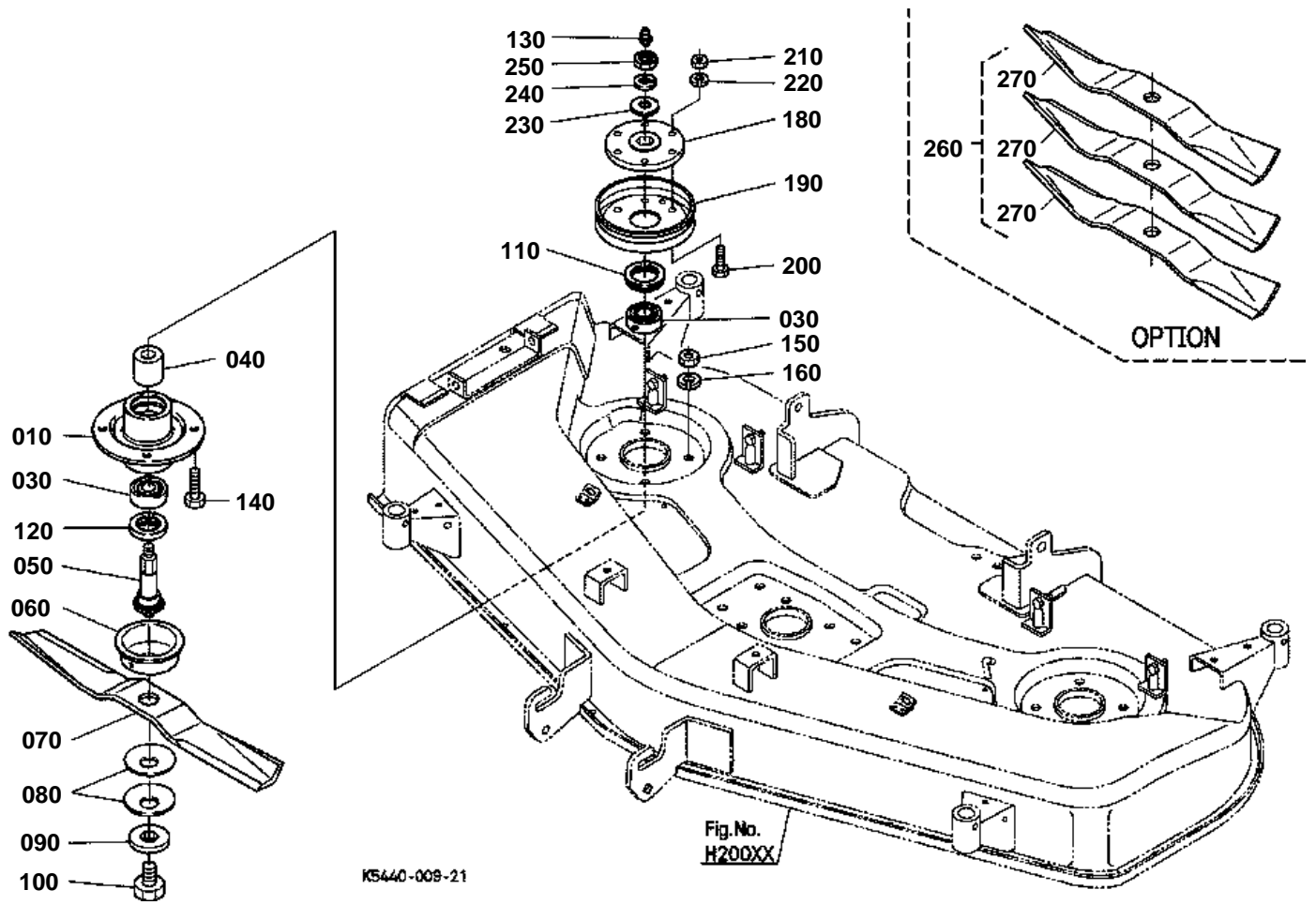


PULLEY HOLDER/BLADE(LEFT)

↔ Interchangeable; ≠ not interchangeable; ← new for old; → old for new

REF.No	Part No.	Description	Q'ty	S.No.	I/C	REMARKS	Weight (kgf)	Weight (lb)
010	K5221-71210	HOLDER PULLEY	1				1	2.2
020	99999-99999	BLANK	0				0	0
030	08101-06205	BEARING BALL	2				0.14	0.308
040	K5221-71130	COLLAR	1				0.055	0.121
050	K5371-34552	SHAFT SIDE BLADE	1				0.615	1.353
060	K5651-34310	COVER DUST	1				0.1	0.22
070	K5371-34330	BLADE	1				1.52	3.344
070	K5371-34340	BLADE	1		↔		1.5	3.3
080	K5371-34350	SPRING CORN	2				0.03	0.066
090	K5371-34390	WASHER LOCK	1				0.052	0.1144
100	K5371-34370	BOLT BLADE	1				0.078	0.1716
110	K5651-34120	OIL SEAL UPPER	1			NOT SALE	0	0
110	70722-34120	OIL SEAL UPPER	1		←		0.025	0.055
120	K5651-34160	SEAL OIL	1			NOT SALE	0	0
120	70725-34162	OIL SEAL LOWER	1		←		0.024	0.0528
130	K1122-15150	NIPPLE GREASE	1				0.002	0.0044
140	01073-51230	BOLT	4				0.041	0.0902
150	02074-50120	NUT	4				0.015	0.033
160	04512-60120	WASHER SPRING	4				0.005	0.011
170	99999-99999	BLANK	0				0	0
180	K5371-34572	BOSS SIDE PULLY	1				0.7	1.54
190	K5371-34580	PULLEY BLADE SIDE	1				0.65	1.43
200	01053-50825	BOLT	6				0.014	0.0308
210	02054-50080	NUT	6				0.005	0.011
220	75599-33012	WASHER SPRING	6				0.002	0.0044
230	04013-50180	WASHER PLAIN	1				0.015	0.033
240	04512-60180	WASHER SPRING	1				0.02	0.044
250	02074-50180	NUT	1				0.043	0.0946
260	K5371-97550	KIT BLADE	1			OPTION(HI-LIFT)	4.684	10.3048
270	K5371-99020	BLADE	3			OPTION(HI-LIFT)	1.4	3.08
270	K5371-99040	BLADE	3		↔	OPTION(HI-LIFT)	0	0

PULLEY HOLDER/BLADE(RIGHT)



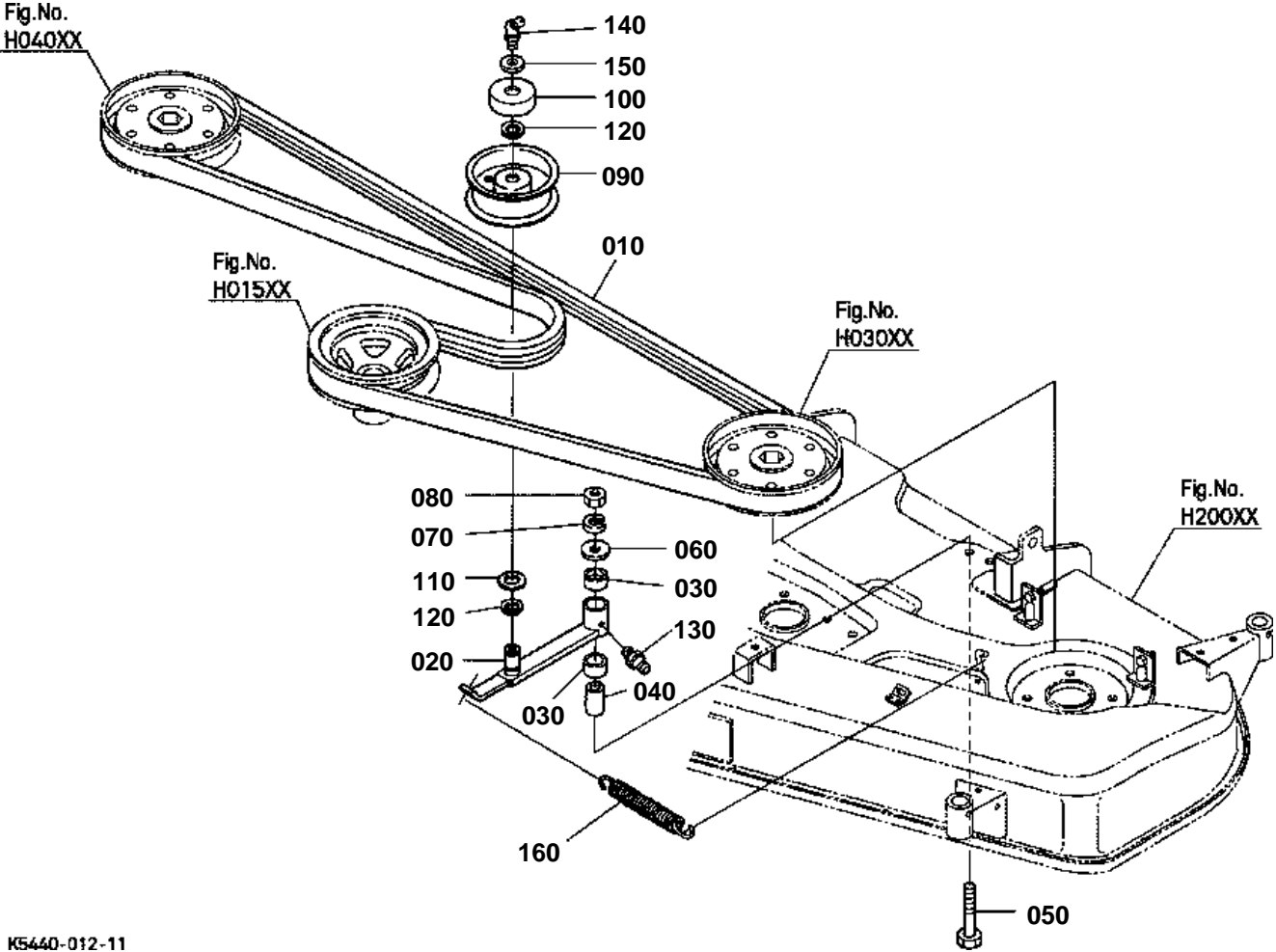


PULLEY HOLDER/BLADE(RIGHT)

↔ Interchangeable; ≠ not interchangeable; ← new for old; → old for new

REF.No	Part No.	Description	Q'ty	S.No.	I/C	REMARKS	Weight (kgf)	Weight (lb)
010	K5221-71210	HOLDER PULLEY	1				1	2.2
020	99999-99999	BLANK	0				0	0
030	08101-06205	BEARING BALL	2				0.14	0.308
040	K5221-71130	COLLAR	1				0.055	0.121
050	K5371-34552	SHAFT SIDE BLADE	1				0.615	1.353
060	K5651-34310	COVER DUST	1				0.1	0.22
070	K5371-34330	BLADE	1				1.52	3.344
070	K5371-34340	BLADE	1		↔		1.5	3.3
080	K5371-34350	SPRING CORN	2				0.03	0.066
090	K5371-34390	WASHER LOCK	1				0.052	0.1144
100	K5371-34370	BOLT BLADE	1				0.078	0.1716
110	K5651-34120	OIL SEAL UPPER	1			NOT SALE	0	0
110	70722-34120	OIL SEAL UPPER	1		←		0.025	0.055
120	K5651-34160	SEAL OIL	1			NOT SALE	0	0
120	70725-34162	OIL SEAL LOWER	1		←		0.024	0.0528
130	K1122-15150	NIPPLE GREASE	1				0.002	0.0044
140	01073-51230	BOLT	4				0.041	0.0902
150	02074-50120	NUT	4				0.015	0.033
160	04512-60120	WASHER SPRING	4				0.005	0.011
170	99999-99999	BLANK	0				0	0
180	K5371-34572	BOSS SIDE PULLY	1				0.7	1.54
190	K5371-34580	PULLEY BLADE SIDE	1				0.65	1.43
200	01053-50825	BOLT	6				0.014	0.0308
210	02054-50080	NUT	6				0.005	0.011
220	75599-33012	WASHER SPRING	6				0.002	0.0044
230	04013-50180	WASHER PLAIN	1				0.015	0.033
240	04512-60180	WASHER SPRING	1				0.02	0.044
250	02074-50180	NUT	1				0.043	0.0946
260	K5371-97550	KIT BLADE	1			OPTION(HI-LIFT)	4.684	10.3048
270	K5371-99020	BLADE	3			OPTION(HI-LIFT)	1.4	3.08
270	K5371-99040	BLADE	3		↔	OPTION(HI-LIFT)	0	0

TENSION PULLEY/MOWER BELT



K5440-012-11



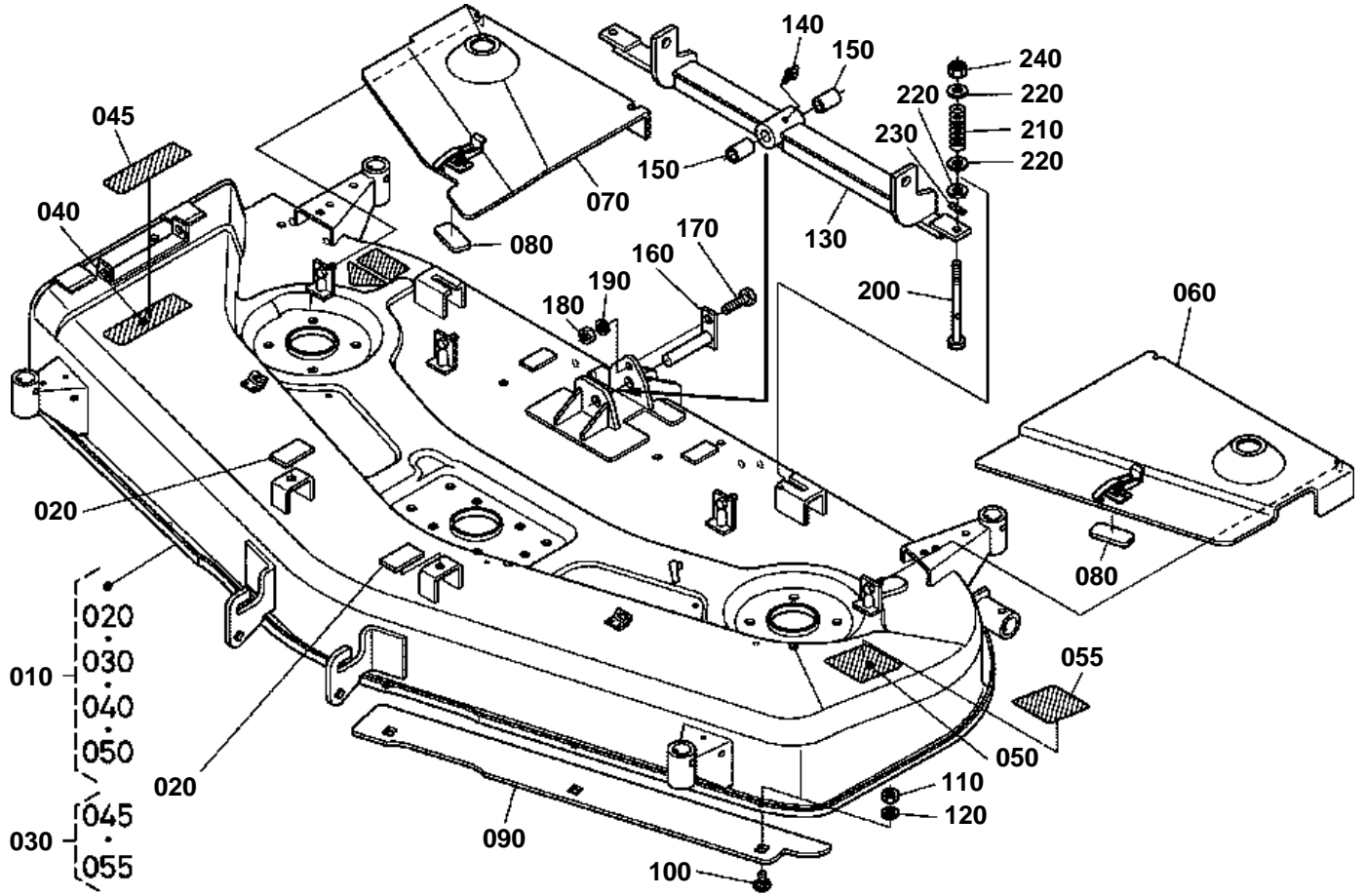


## TENSION PULLEY/MOWER BELT

↔ Interchangeable; ≠ not interchangeable; ← new for old; → old for new

REF.No	Part No.	Description	Q'ty	S.No.	I/C	REMARKS	Weight (kgf)	Weight (lb)
010	K5763-34710	BELT MULTI	1				0.89	1.958
020	K5371-34730	ARM TENSION	1				0.57	1.254
030	K5651-20150	BUSHING TENSION	2				0.017	0.0374
040	K5651-34780	COLLAR TENSION	1				0.055	0.121
050	01073-51270	BOLT	1				0.06	0.132
060	75599-32015	WASHER PLAIN	1				0.01	0.022
070	04512-60120	WASHER SPRING	1				0.005	0.011
080	02074-50120	NUT	1				0.015	0.033
090	K5651-34880	PULLEY TENSION	1				0.55	1.21
100	K5651-34790	COVER TENSION	1				0.02	0.044
110	K5651-34800	SEAL BEARING	1				0.001	0.0022
120	04612-00170	CIR CLIP EXTERNAL	2				0.001	0.0022
130	K1122-15150	NIPPLE GREASE	1				0.002	0.0044
140	K5371-34750	NIPPLE GREASE	1				0.01	0.022
150	K5763-27350	SHIM ADJUST	1				0.001	0.0022
160	K5763-34750	SPRING TENSION	1				0.17	0.374

MOWER DECK AND COVER



K5440-014-12

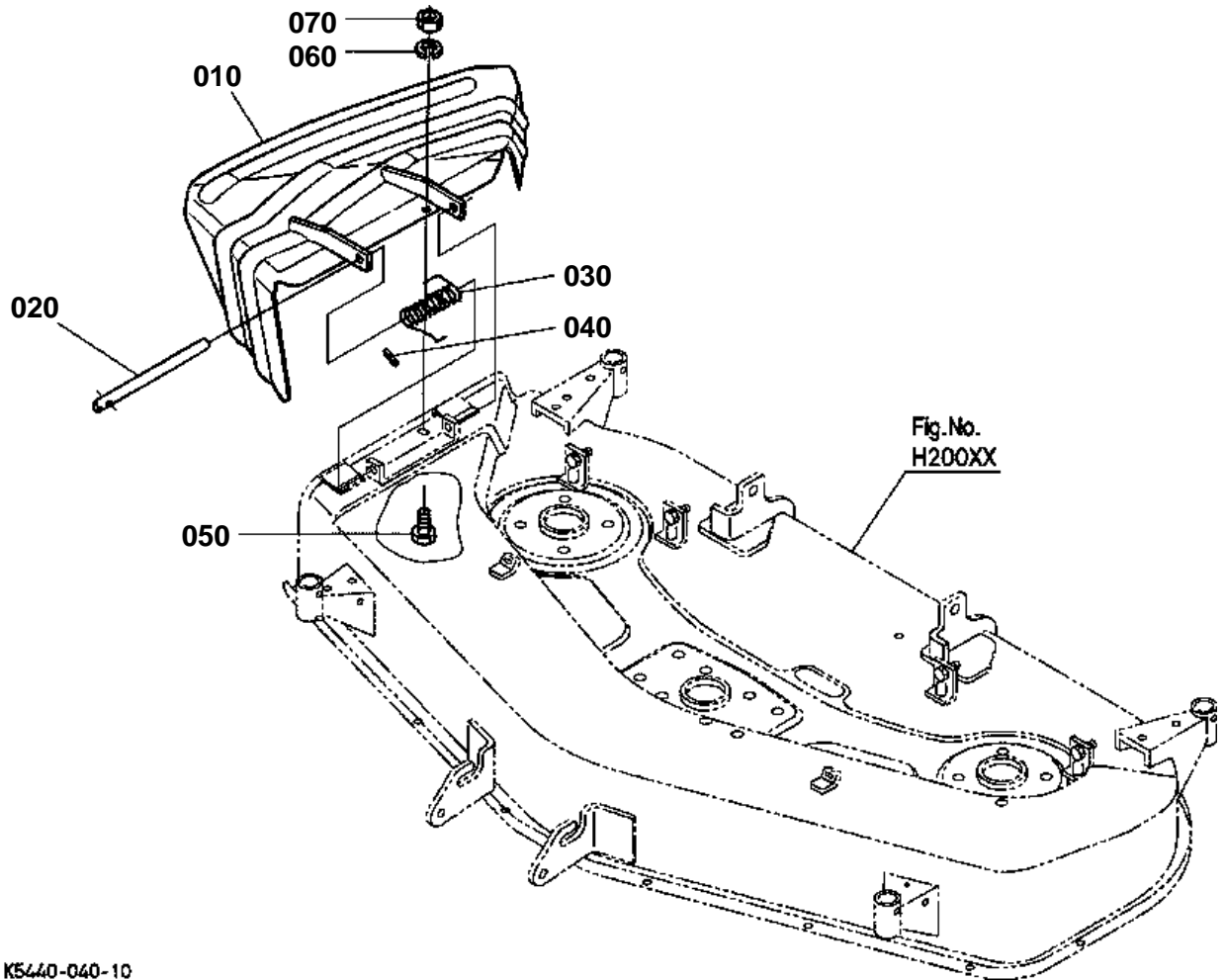


**MOWER DECK AND COVER**

↔ Interchangeable; ≠ not interchangeable; ← new for old; → old for new

REF.No	Part No.	Description	Q'ty	S.No.	I/C	REMARKS	Weight (kgf)	Weight (lb)
010	K5460-41500	ASSY MOWER DECK	1				0	0
020	K5460-76210	RUBBER STOPPER	2				0.015	0.033
030	K1217-65710	LABEL SET DANGER	1			FRENCH	0.01	0.022
040	K5112-73110	LABEL DANGER	1			ENGLISH	0.002	0.0044
045	K1127-65710	LABEL DANGER	1			FRENCH NOT SALE	0.01	0.022
050	K5112-73120	LABEL DANGER	1			ENGLISH	0.001	0.0022
055	K1127-65720	LABEL DANGER	1			FRENCH NOT SALE	0.002	0.0044
060	K5221-72620	COVER LEFT	1				1.52	3.344
070	K5221-72630	COVER RIGHT	1				1.31	2.882
080	K1122-57160	CUSHION RUBBER	2	<=11838			0.001	0.0022
080	K1122-57163	PLATE RUBBER	2	>=11839	←		0.001	0.0022
090	K5371-41312	PLATE FRONT LH	1				0.97	2.134
100	K1122-91320	BOLT SHORT SQU.NECK	3				0.01	0.022
110	02054-50080	NUT	3				0.005	0.011
120	75599-33012	WASHER SPRING	3				0.002	0.0044
130	K5460-51110	BALANCER	1				6.5	14.3
140	K1122-15150	NIPPLE GREASE	1				0.002	0.0044
150	K5371-51140	BUSHING FB	2				0.01	0.022
160	K5371-51120	PIN CENTER MOWER	1				0.165	0.363
170	75599-04325	HEX.BOLT	1				0.022	0.0484
180	75599-31023	NUT	1				0.006	0.0132
190	75599-33013	WASHER SPRING	1				0.006	0.0132
200	K5371-51150	BOLT	2				0.063	0.1386
210	K5371-51160	SPRING	2				0.06	0.132
220	75599-32113	WASHER PLAIN	6				0.01	0.022
230	75599-52220	PIN SPRING	2				0.002	0.0044
240	75599-31923	NUT LOCKING	2				0.007	0.0154

DISCHARGE COVER



K5440-040-10



## DISCHARGE COVER

↔ Interchangeable; ≠ not interchangeable; ← new for old; → old for new

REF.No	Part No.	Description	Q'ty	S.No.	I/C	REMARKS	Weight (kgf)	Weight (lb)
010	K5651-47110	COVER DISCHARGE	1				4.8	10.56
020	K5651-47150	PIN DISCHARGE	1				0.2	0.44
030	K5651-47160	SPRING DISCHARGE	1				0.12	0.264
040	75599-52525	PIN SPRING	1				0.004	0.0088
050	01073-51030	BOLT	1				0.028	0.0616
060	04512-60100	WASHER SPRING	1				0.002	0.0044
070	02018-50100	NUT	1				0.011	0.0242



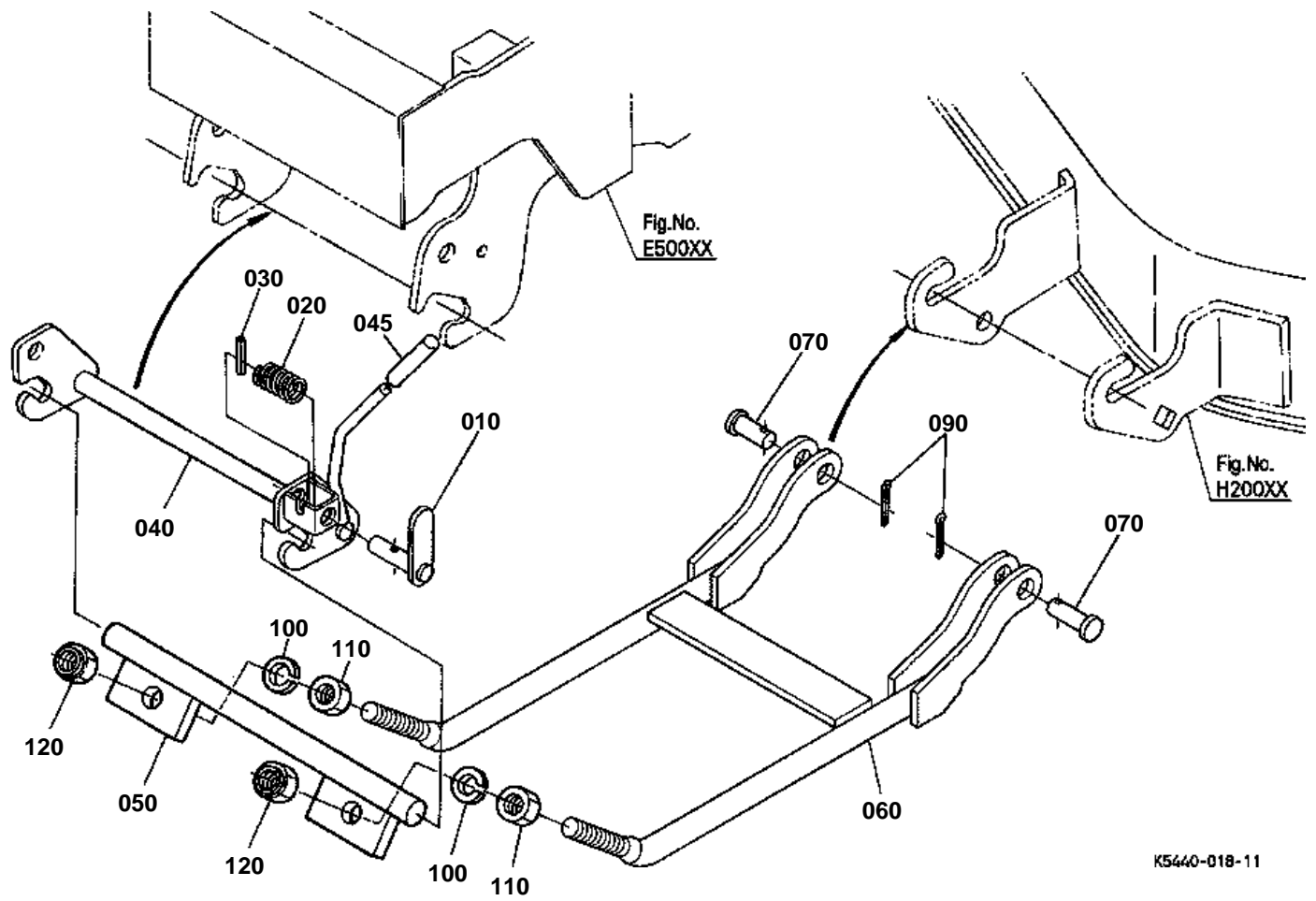


# GAUGE WHEEL

↔ Interchangeable; ≠ not interchangeable; ← new for old; → old for new

REF.No	Part No.	Description	Q'ty	S.No.	I/C	REMARKS	Weight (kgf)	Weight (lb)
010	K5371-42100	ASSY GAUGE WHEEL	4				1.25	2.75
020	K5371-42110	GAUGE WHEEL	4				0.46	1.012
030	K5221-72670	BOLT SHOULDER	4				0.15	0.33
040	04512-60100	WASHER SPRING	4				0.002	0.0044
050	02014-50100	NUT	4				0.011	0.0242
060	K5221-72680	PIN GAUGE WHEEL	4				0.65	1.43
070	75599-51235	PIN CLEVIS	4				0.03	0.066
080	K5112-72730	RING SNAP	4				0.01	0.022
090	K5112-72420	ROLLER ANTI-SCALP	1				0.15	0.33
100	K5371-44310	COLLAR WHEEL	2				0.045	0.099
110	K5221-72650	BOLT GAUGE	1				0.25	0.55
120	02572-50120	NUT LOCK	1				0.014	0.0308

FRONT LINK LEVER



K5440-018-11

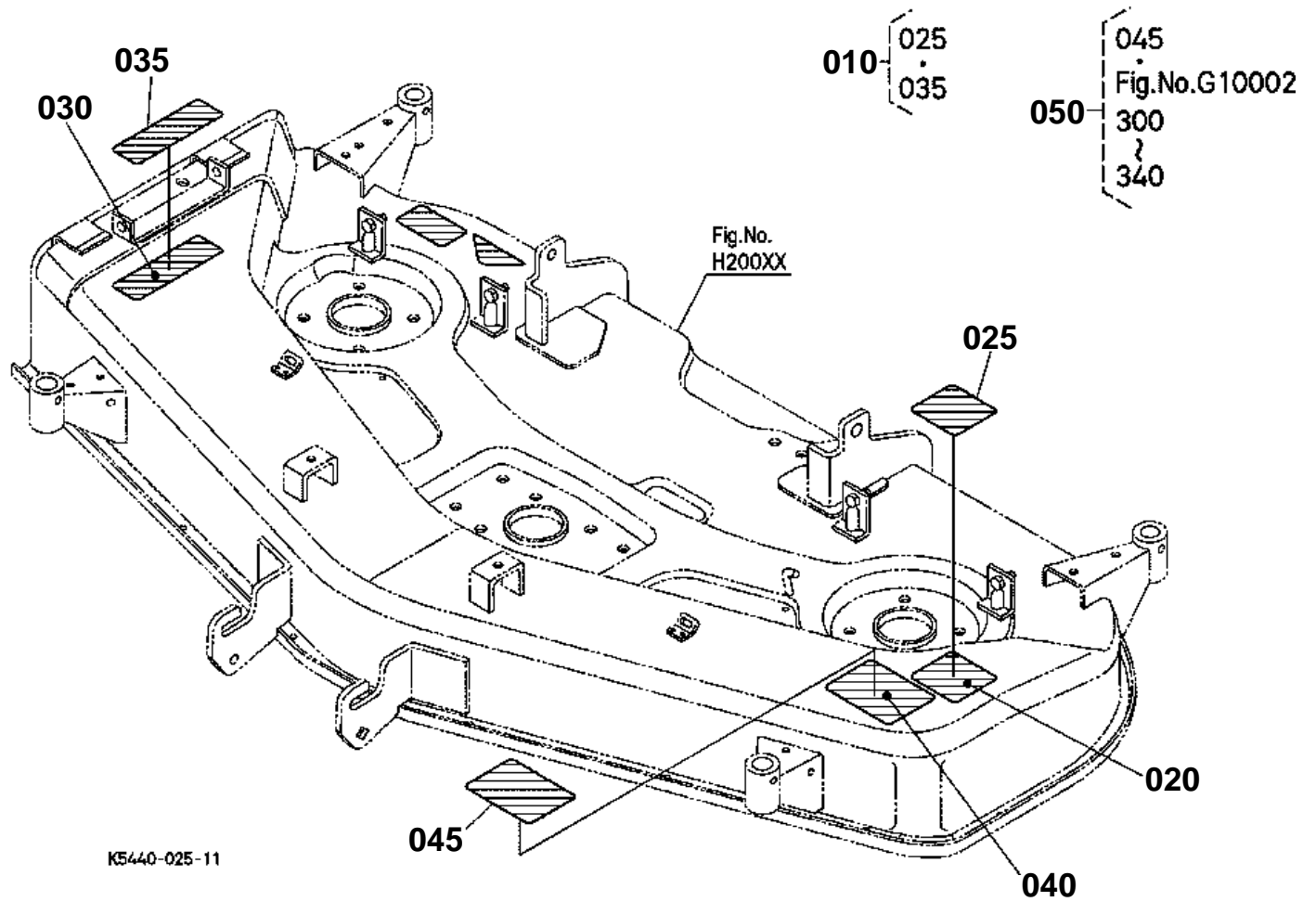




## FRONT LINK LEVER

↔ Interchangeable; ≠ not interchangeable; ← new for old; → old for new

REF.No	Part No.	Description	Q'ty	S.No.	I/C	REMARKS	Weight (kgf)	Weight (lb)
010	K5221-44540	PIN HINGE	1				0.119	0.2618
020	K5221-44550	SPRING HINGE PIN	1				0.009	0.0198
030	75599-52532	PIN SPRING	1				0.005	0.011
040	K5221-44583	LEVER LINK	1				1.34	2.948
045	K5410-44640	GRIP LINK	1				0.006	0.0132
050	K5410-44610	LINK FRONT	1				0.79	1.738
060	K5460-44620	LINK FRONT	1				4.06	8.932
070	75599-51730	PIN CLEVIS	2				0.1	0.22
080	99999-99999	BLANK	0				0	0
090	75599-53194	PIN COTTER	2				0.001	0.0022
100	75599-33017	WASHER SPRING LOCK	2				0.005	0.011
110	02074-50160	NUT	2				0.029	0.0638
120	K1122-91940	NUT LOCKING	2				0.03	0.066



**MOWER LABEL [RCK54-24G/RCK60B-24G]**

↔ Interchangeable; ≠ not interchangeable; ← new for old; → old for new

REF.No	Part No.	Description	Q'ty	S.No.	I/C	REMARKS	Weight (kgf)	Weight (lb)
010	K1217-65710	LABEL SET DANGER	1			FRENCH	0.01	0.022
020	K5112-73110	LABEL DANGER	1			ENGLISH	0.002	0.0044
025	K1127-65710	LABEL DANGER	1			FRENCH NOT SALE	0.01	0.022
030	K5112-73120	LABEL DANGER	1			ENGLISH	0.001	0.0022
035	K1127-65720	LABEL DANGER	1			FRENCH NOT SALE	0.002	0.0044
040	K5221-73130	LABEL ANTI-SCALP	1			ENGLISH	0.005	0.011
045	K1217-65630	LABEL ANTI-SCALP	1			FRENCH NOT SALE	0	0
050	K2117-65170	LABEL SET	1			FRENCH	0.09	0.198