

Instructions for Parts Books

The heading at the top of the page will be the same for the picture of the parts as it is for the page with the part numbers.

Definition of column headings on part number pages:

REF.No → The number referring to the part on the picture page of the parts book.

Part No. → The number assigned to this part at the time of printing the parts book.

Description → Description of part.

Q'ty → Quantity of part used on that page.

S.No. → Serial number range of the equipment that this part will fit.

>= Your serial number should be greater than or equal to the number shown.

<= Your serial number should be lesser than or equal to the serial number shown.

I/C → Interchangeability of part shown.

↔ The part shown will work for the older and later serial number.

The part shown is not interchangeable with the other serial number.

← new for old

→ old for new

Remarks → Notes about this particular part. Sometimes this may say except [FR] or [CA]

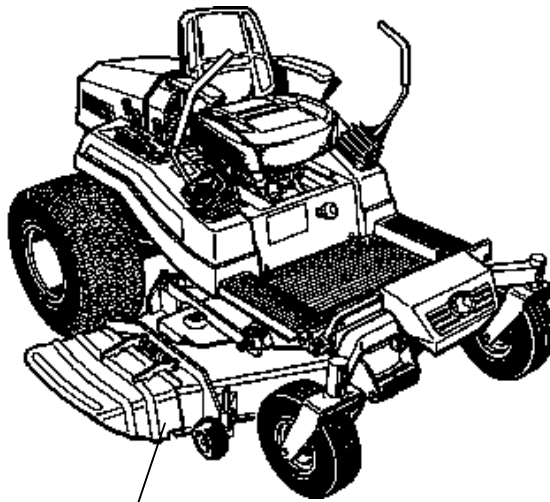
Note about Country Codes:

The parts books we use in the United States of America may also contain information about a part that would be different in another country. It is important that you are aware of the country codes in some instances.

| Symbol | Country |
|--------|--------------------------|
| A | United States of America |
| CA | Canada |
| FR | France |
| GR | Greece |
| PO | Portugal |
| AU | Australia |

If the remarks column says for example EXCEPT [FR] this part works in all countries except France. That means it will work here in the USA.

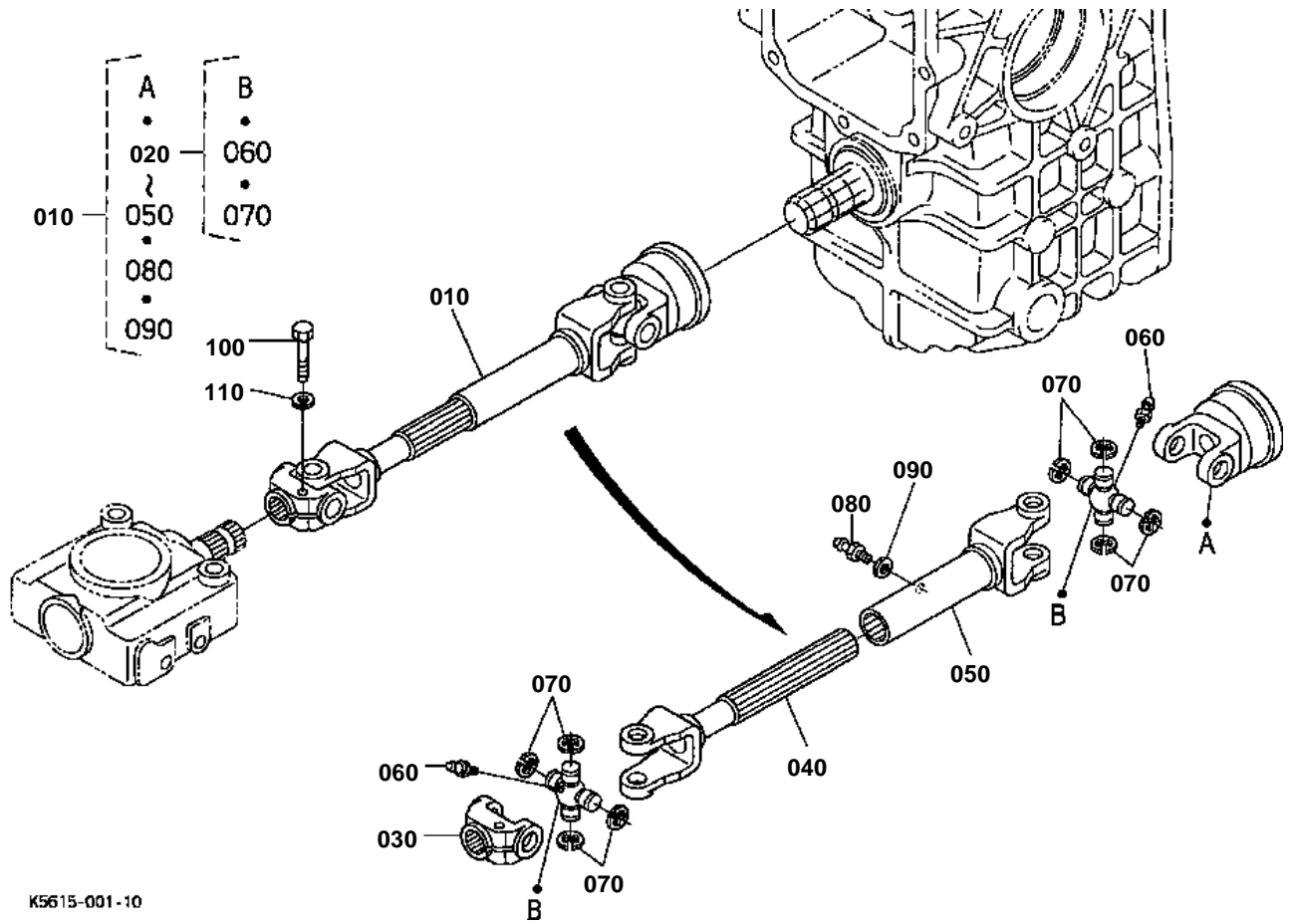
ALL PRODUCT INDEX
RCK60-21Z



MOWER

| Item | Part No. | Description | Book |
|-------|----------|---------------------------|----------|
| MOWER | 03T001 | UNIVERSAL JOINT | 100K0664 |
| | 03T004 | BEVEL GEAR CASE | 100K0664 |
| | 03T005 | INPUT SHAFT/CENTER PULLEY | 100K0664 |
| | 03T007 | PULLEY HOLDER/BLADE | 100K0664 |
| | 03T010 | SIDE PULLEY/BLADE | 100K0664 |
| | 03T013 | TENSION PULLEY | 100K0664 |
| | 03T10002 | MOWER DECK | 100K0664 |
| | 03T103 | FRONT GAUGE WHEEL | 100K0664 |
| | 03T10602 | REAR WHEEL | 100K0664 |
| | 03T109 | DISCHARGE COVER | 100K0664 |
| | 03T300 | MOWER LABEL | 100K0664 |

UNIVERSAL JOINT



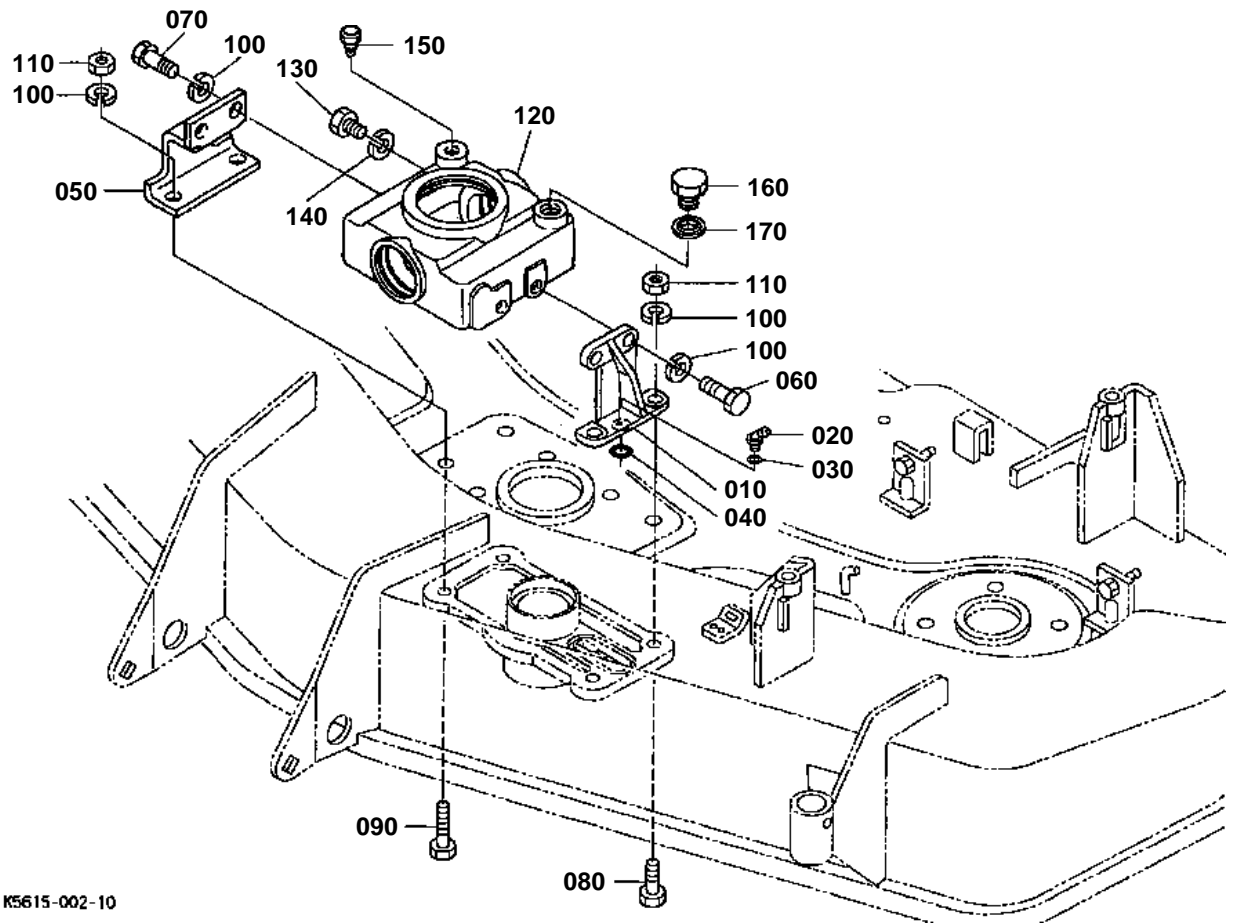


UNIVERSAL JOINT

↔ Interchangeable; ≠ not interchangeable; ← new for old; → old for new

| REF.No | Part No. | Description | Q'ty | S.No. | I/C | REMARKS | Weight (kgf) | Weight (lb) |
|--------|-------------|----------------------|------|-------|-----|---------|--------------|-------------|
| 010 | K5645-32030 | ASSY JOINT UNIVERSAL | 1 | | | | 0 | 0 |
| 020 | 76539-31180 | ASSY JOINT CROSS | 2 | | | | 0.21 | 0.462 |
| 030 | K5371-31130 | YOKE PTO | 1 | | | | 0.48 | 1.056 |
| 040 | K5700-31140 | SHAFT JOINT | 1 | | | | 0 | 0 |
| 050 | K5645-31160 | YOKE JOINT | 1 | | | | 0 | 0 |
| 060 | 76539-31210 | NIPPLE GREASE | 2 | | | | 0.01 | 0.022 |
| 070 | 76539-32120 | RING SNAP | 8 | | | | 0.003 | 0.0066 |
| 080 | 67211-42940 | NIPPLE GREASE | 1 | | | | 0.001 | 0.0022 |
| 090 | 04012-50060 | WASHER PLAIN | 1 | | | | 0.001 | 0.0022 |
| 100 | 01053-51035 | BOLT | 1 | | | | 0.03 | 0.066 |
| 110 | 04512-60100 | WASHER SPRING | 1 | | | | 0.002 | 0.0044 |

BEVEL GEAR CASE



K5615-002-10

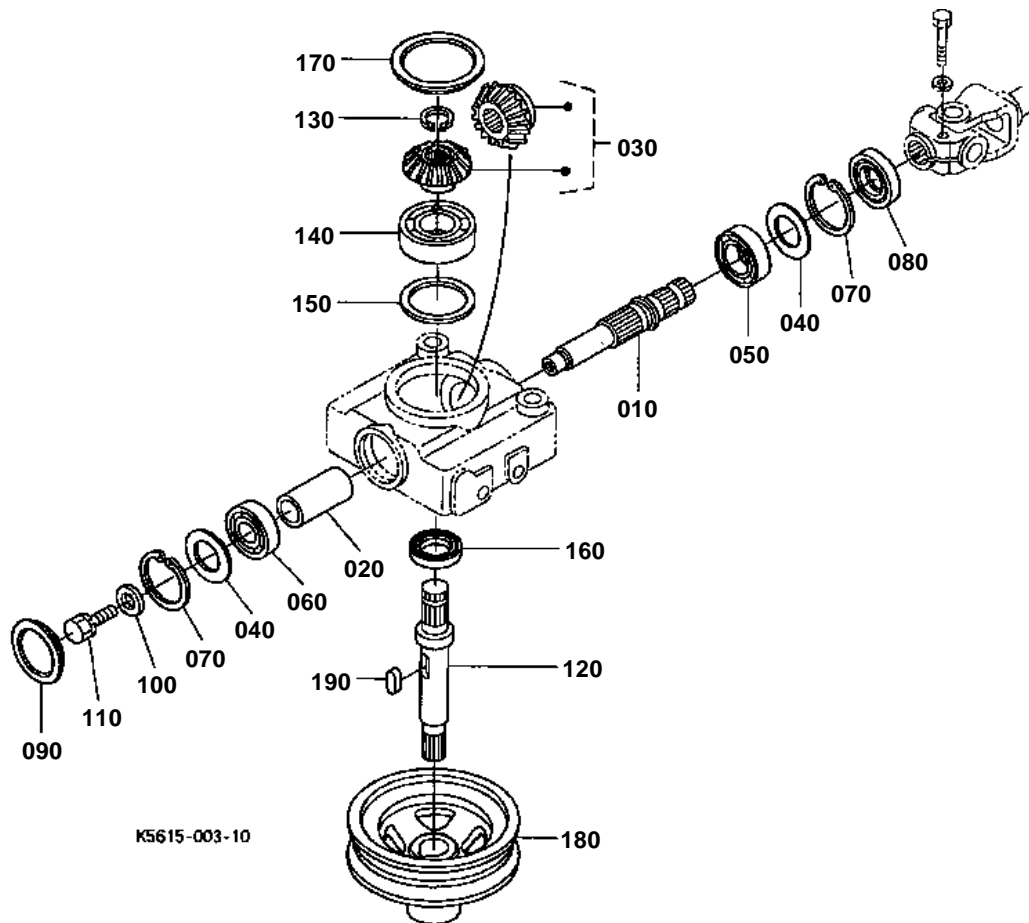


BEVEL GEAR CASE

↔ Interchangeable; ≠ not interchangeable; ← new for old; → old for new

| REF.No | Part No. | Description | Q'ty | S.No. | I/C | REMARKS | Weight (kgf) | Weight (lb) |
|--------|-------------|--------------------|------|-------|-----|---------|--------------|-------------|
| 010 | K5720-33130 | STAY CASE LH | 1 | | | | 0 | 0 |
| 020 | K5763-44250 | NIPPLE GREASE | 1 | | | | 0 | 0 |
| 030 | K5763-27340 | SHIM ADJUST | 1 | | | | 0 | 0 |
| 040 | 04811-06120 | O RING | 1 | | | | 0.001 | 0.0022 |
| 050 | K5763-33150 | STAY CASE RH | 1 | | | | 0 | 0 |
| 060 | K5763-33210 | BOLT REAMER | 2 | | | | 0 | 0 |
| 070 | 01073-51225 | BOLT | 2 | | | | 0.035 | 0.077 |
| 080 | K5763-33230 | BOLT REAMER | 2 | | | | 0 | 0 |
| 090 | 01073-51235 | BOLT | 2 | | | | 0.045 | 0.099 |
| 100 | 04512-60120 | WASHER SPRING | 8 | | | | 0.005 | 0.011 |
| 110 | 02074-50120 | NUT | 4 | | | | 0.015 | 0.033 |
| 120 | K5761-33115 | CASE BEVEL GEAR | 1 | | | | 3.82 | 8.404 |
| 130 | 01153-50812 | BOLT | 2 | | | | 0.008 | 0.0176 |
| 140 | 04717-00800 | WASHER WITH RUBBER | 2 | | | | 0.001 | 0.0022 |
| 150 | K5761-33250 | PLUG BREATHER | 1 | | | | 0.006 | 0.0132 |
| 160 | 06331-35016 | PLUG | 1 | | | | 0.04 | 0.088 |
| 170 | 04711-00300 | GASKET | 1 | | | | 0.001 | 0.0022 |

INPUT SHAFT/CENTER PULLEY



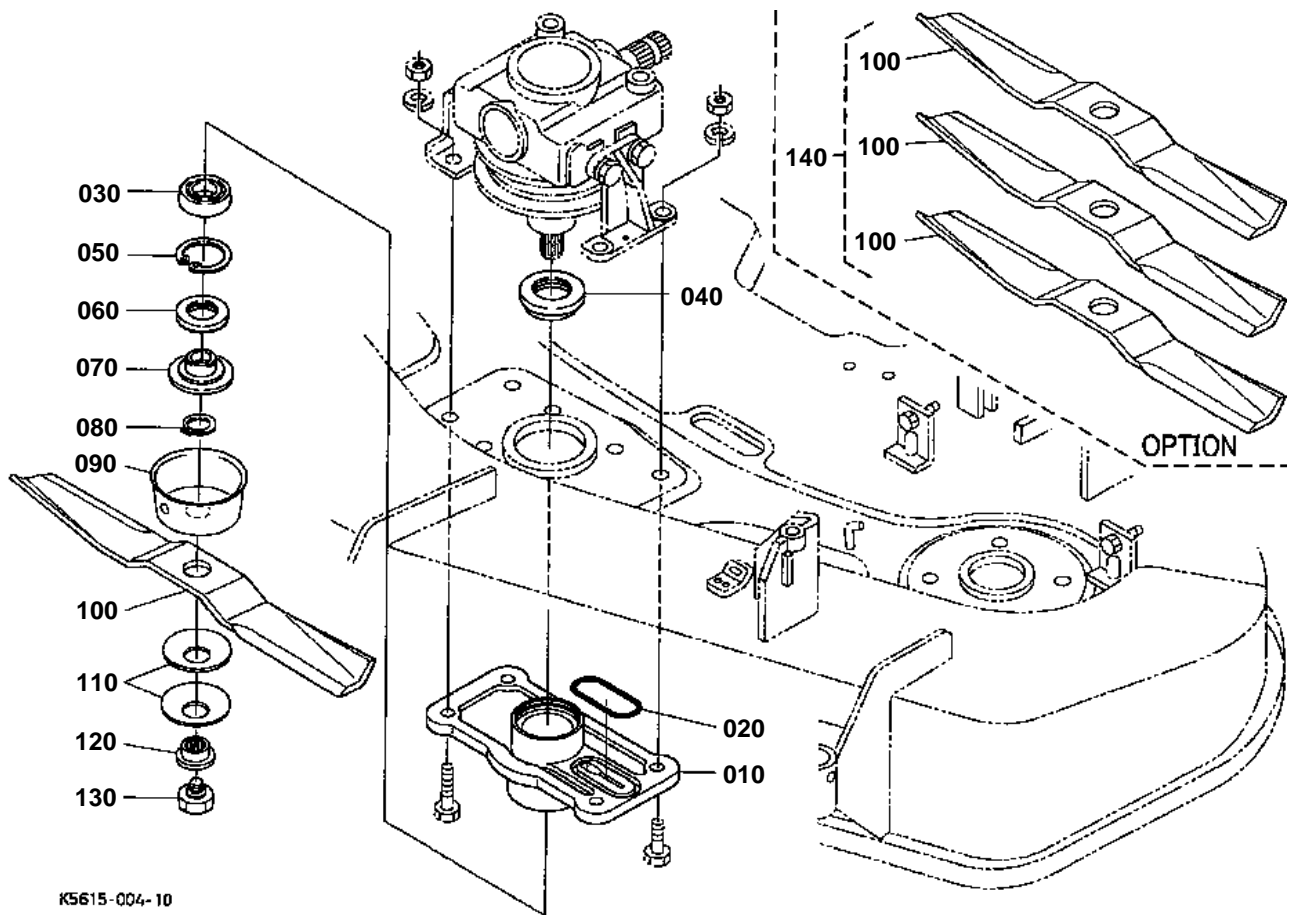


INPUT SHAFT/CENTER PULLEY

↔ Interchangeable; ≠ not interchangeable; ← new for old; → old for new

| REF.No | Part No. | Description | Q'ty | S.No. | I/C | REMARKS | Weight (kgf) | Weight (lb) |
|--------|-------------|-------------------|------|-------|-----|---------|--------------|-------------|
| 010 | K5645-33310 | SHAFT PINION | 1 | | | | 0 | 0 |
| 020 | K5671-33340 | COLLAR | 1 | | | | 0.105 | 0.231 |
| 030 | K5763-33320 | KIT GEAR BEVEL | 1 | | | 17-18T | 0.45 | 0.99 |
| 040 | 36330-28420 | SHIM | 2 | | | 0.2mm | 0.002 | 0.0044 |
| 040 | 36330-28410 | SHIM | 2 | | | 0.3mm | 0.002 | 0.0044 |
| 050 | 08101-06205 | BEARING BALL | 1 | | | | 0.14 | 0.308 |
| 060 | 08101-06304 | BEARING BALL | 1 | | | | 0.146 | 0.3212 |
| 070 | 04611-00520 | CIR CLIP INTERNAL | 2 | | | | 0.009 | 0.0198 |
| 080 | 76535-33440 | SEAL OIL | 1 | | | | 0.02 | 0.044 |
| 090 | 63313-32270 | CAP | 1 | | | | 0.03 | 0.066 |
| 100 | 04015-50100 | WASHER PLAIN | 1 | | | | 0.016 | 0.0352 |
| 110 | 01133-51025 | BOLT | 1 | | | | 0.023 | 0.0506 |
| 120 | K5763-33500 | SHAFT BEVEL GEAR | 1 | | | | 0.55 | 1.21 |
| 130 | 04612-00220 | CIR CLIP EXTERNAL | 1 | | | | 0.001 | 0.0022 |
| 140 | 70712-33550 | BEARING BALL | 1 | | | | 0.22 | 0.484 |
| 150 | 70712-33570 | SHIM | 1 | | | 0.1mm | 0.001 | 0.0022 |
| 150 | 76539-33410 | SHIM | 1 | | | 0.2mm | 0.001 | 0.0022 |
| 160 | K5761-33540 | SEAL OIL | 1 | | | | 0.012 | 0.0264 |
| 170 | 7C765-51260 | CAP | 1 | | | | 0.07 | 0.154 |
| 180 | K5371-33520 | PULLEY CENTER | 1 | | | | 1.78 | 3.916 |
| 190 | 05712-00728 | KEY FEATHER | 1 | | | | 0.01 | 0.022 |

PULLEY HOLDER/BLADE



K5615-004-10

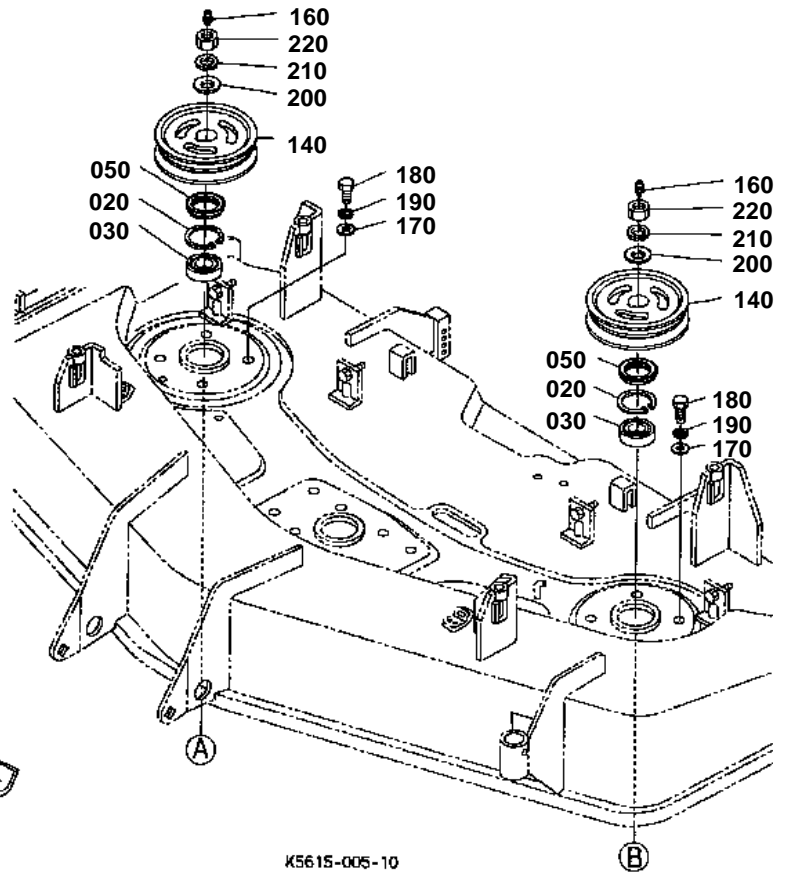
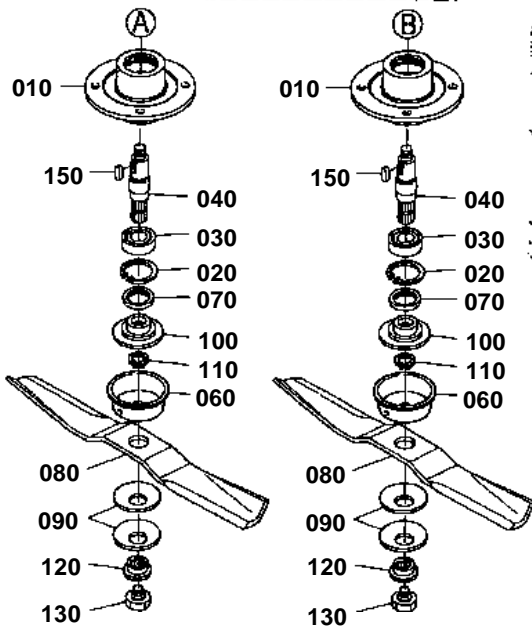
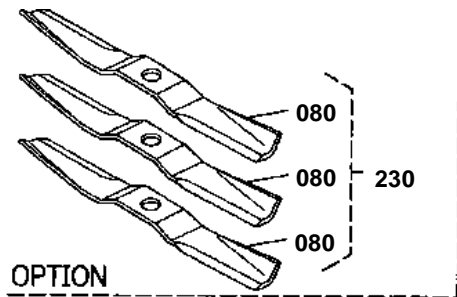


PULLEY HOLDER/BLADE

↔ Interchangeable; ≠ not interchangeable; ← new for old; → old for new

| REF.No | Part No. | Description | Q'ty | S.No. | I/C | REMARKS | Weight (kgf) | Weight (lb) |
|--------|-------------|----------------------|------|-------|-----|----------------------|--------------|-------------|
| 010 | K5371-34110 | HOLDER PULLEY CENTER | 1 | | | | 0 | 0 |
| 020 | 04811-00500 | O RING | 1 | | | | 0.002 | 0.0044 |
| 030 | 08101-06205 | BEARING BALL | 1 | | | | 0.14 | 0.308 |
| 040 | K5651-34120 | OIL SEAL UPPER | 1 | | | | 0 | 0 |
| 050 | 04611-00520 | CIR CLIP INTERNAL | 1 | | | | 0.009 | 0.0198 |
| 060 | K5651-34160 | OIL SEAL LOWER | 1 | | | | 0 | 0 |
| 070 | K5651-34152 | BOSS SPLINE | 1 | | | | 0 | 0 |
| 080 | 04612-00220 | CIR CLIP EXTERNAL | 1 | | | | 0.001 | 0.0022 |
| 090 | K5651-34313 | COVER DUST | 1 | | | | 0 | 0 |
| 100 | K5651-34330 | BLADE H20 | 1 | | | (STANDARD) | 1.6 | 3.52 |
| 100 | 76539-34330 | BLADE | 1 | | | OPTION(HIGH SUCTION) | 1.6 | 3.52 |
| 110 | K5651-34350 | SPRING PLATE | 2 | | | | 0.07 | 0.154 |
| 120 | K5651-34392 | BOSS SPLINE | 1 | | | | 0 | 0 |
| 130 | K5651-34370 | BOLT(M) | 1 | | | | 0.08 | 0.176 |
| 140 | K5645-97520 | KIT BLADE | 1 | | | OPTION(STANDARD) | 0 | 0 |
| 140 | 76539-99000 | KIT BLADE | 1 | | | OPTION(HIGH SUCTION) | 4.85 | 10.67 |

SIDE PULLEY/BLADE

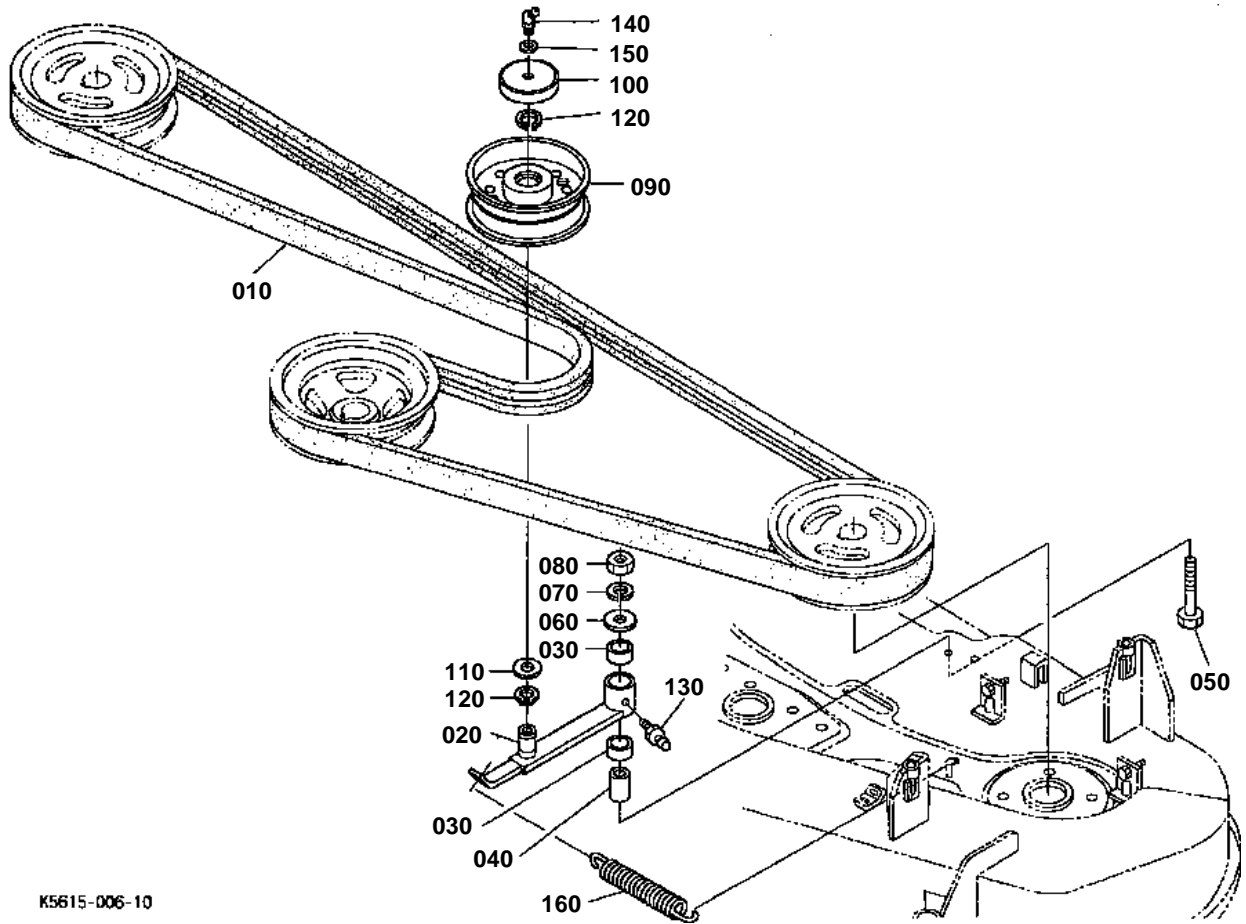


**SIDE PULLEY/BLADE**

↔ Interchangeable; ≠ not interchangeable; ← new for old; → old for new

| REF.No | Part No. | Description | Q'ty | S.No. | I/C | REMARKS | Weight (kgf) | Weight (lb) |
|--------|-------------|--------------------|------|-------|-----|----------------------|--------------|-------------|
| 010 | K5651-34510 | HOLDER PULLEY SIDE | 2 | | | | 2.35 | 5.17 |
| 020 | 04611-00520 | CIR CLIP INTERNAL | 4 | | | | 0.009 | 0.0198 |
| 030 | 08101-06205 | BEARING BALL | 4 | | | | 0.14 | 0.308 |
| 040 | K5651-34550 | SHAFT BLADE | 2 | | | | 0.55 | 1.21 |
| 050 | K5651-34120 | OIL SEAL UPPER | 2 | | | | 0 | 0 |
| 060 | K5651-34313 | COVER DUST | 2 | | | | 0 | 0 |
| 070 | K5651-34160 | OIL SEAL LOWER | 2 | | | | 0 | 0 |
| 080 | K5651-34330 | BLADE H20 | 2 | | | (STANDARD) | 1.6 | 3.52 |
| 080 | 76539-34330 | BLADE | 2 | | | OPTION(HIGH SUCTION) | 1.6 | 3.52 |
| 090 | K5651-34350 | SPRING PLATE | 4 | | | | 0.07 | 0.154 |
| 100 | K5651-34152 | BOSS SPLINE | 2 | | | | 0 | 0 |
| 110 | 04612-00220 | CIR CLIP EXTERNAL | 2 | | | | 0.001 | 0.0022 |
| 120 | K5651-34392 | BOSS SPLINE | 2 | | | | 0 | 0 |
| 130 | K5651-34370 | BOLT(M) | 2 | | | | 0.08 | 0.176 |
| 140 | K5651-33580 | PULLY SIDE | 2 | | | | 1.6 | 3.52 |
| 150 | 05712-00722 | KEY FEATHER | 2 | | | | 0.009 | 0.0198 |
| 160 | K1122-15150 | NIPPLE GREASE | 2 | | | | 0.002 | 0.0044 |
| 170 | 75599-32015 | WASHER PLAIN | 8 | | | | 0 | 0 |
| 180 | 01073-51225 | BOLT | 8 | | | | 0.035 | 0.077 |
| 190 | 04512-60120 | WASHER SPRING | 8 | | | | 0.005 | 0.011 |
| 200 | K5651-34560 | WASHER PLAIN | 2 | | | | 0.024 | 0.0528 |
| 210 | 75599-33017 | WASHER SPRING LOCK | 2 | | | | 0 | 0 |
| 220 | 02074-50160 | NUT | 2 | | | | 0.029 | 0.0638 |
| 230 | K5645-97520 | KIT BLADE | 1 | | | OPTION(STANDARD) | 0 | 0 |
| 230 | 76539-99000 | KIT BLADE | 1 | | | OPTION(HIGH SUCTION) | 4.85 | 10.67 |

TENSION PULLEY



K5615-006-10

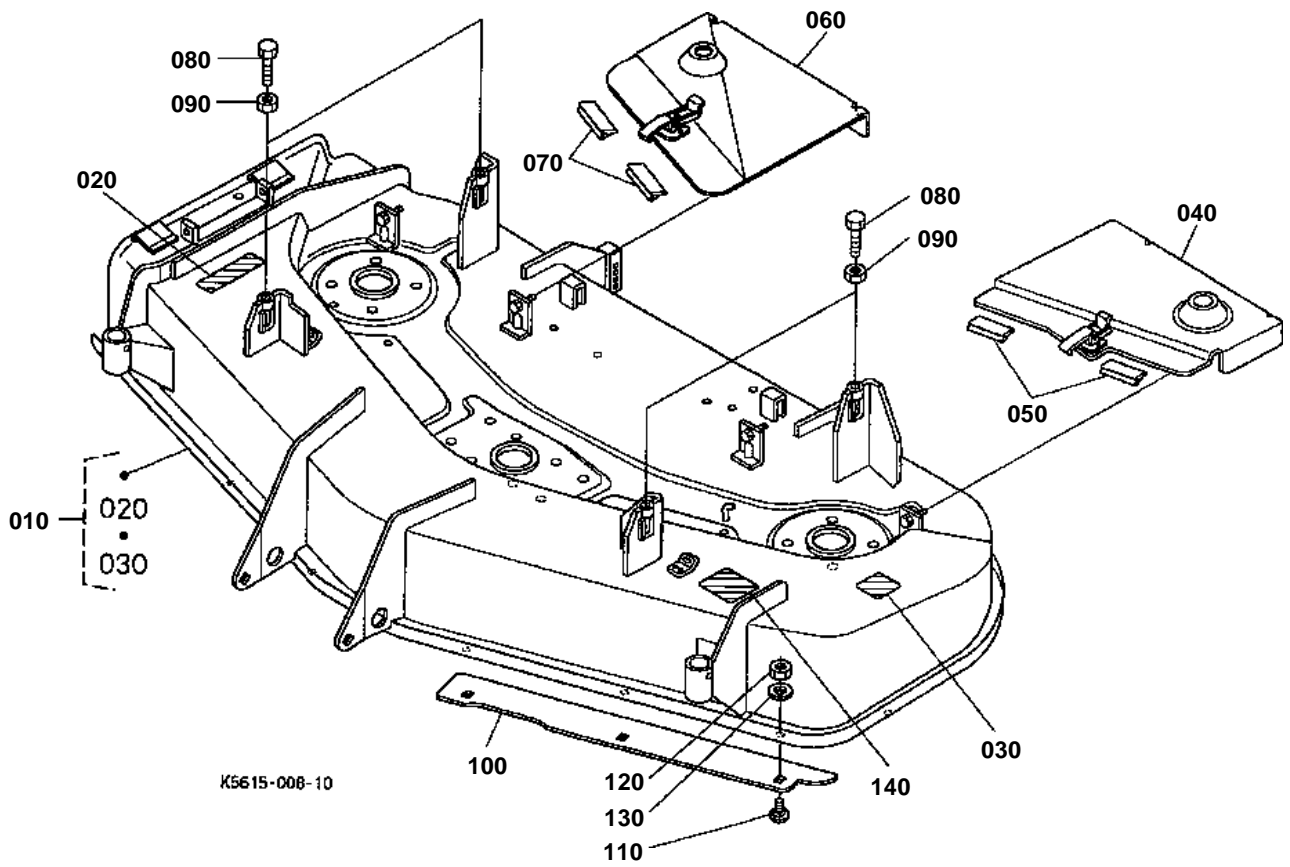


TENSION PULLEY

↔ Interchangeable; ≠ not interchangeable; ← new for old; → old for new

| REF.No | Part No. | Description | Q'ty | S.No. | I/C | REMARKS | Weight (kgf) | Weight (lb) |
|--------|-------------|-------------------|------|-------|-----|---------|--------------|-------------|
| 010 | K5645-34710 | BELT MULTI | 1 | | | | 0 | 0 |
| 020 | K5371-34730 | ARM TENSION | 1 | | | | 0 | 0 |
| 030 | K5651-20150 | BUSHING TENSION | 2 | | | | 0.017 | 0.0374 |
| 040 | K5651-34780 | COLLAR TENSION | 1 | | | | 0.055 | 0.121 |
| 050 | 01073-51270 | BOLT | 1 | | | | 0.06 | 0.132 |
| 060 | 75599-32015 | WASHER PLAIN | 1 | | | | 0 | 0 |
| 070 | 04512-60120 | WASHER SPRING | 1 | | | | 0.005 | 0.011 |
| 080 | 02074-50120 | NUT | 1 | | | | 0.015 | 0.033 |
| 090 | K5651-34880 | PULLEY TENSION | 1 | | | | 0.55 | 1.21 |
| 100 | K5651-34792 | COVER TENSION | 1 | | | | 0 | 0 |
| 110 | K5651-34800 | SEAL BEARING | 1 | | | | 0.001 | 0.0022 |
| 120 | 04612-00170 | CIR CLIP EXTERNAL | 2 | | | | 0.001 | 0.0022 |
| 130 | K1122-15150 | NIPPLE GREASE | 1 | | | | 0.002 | 0.0044 |
| 140 | K5763-12100 | NIPPLE GREASE | 1 | | | | 0 | 0 |
| 150 | K5763-27350 | SHIM ADJUST | 1 | | | | 0 | 0 |
| 160 | K5763-34750 | SPRING TENSION | 1 | | | | 0 | 0 |

MOWER DECK



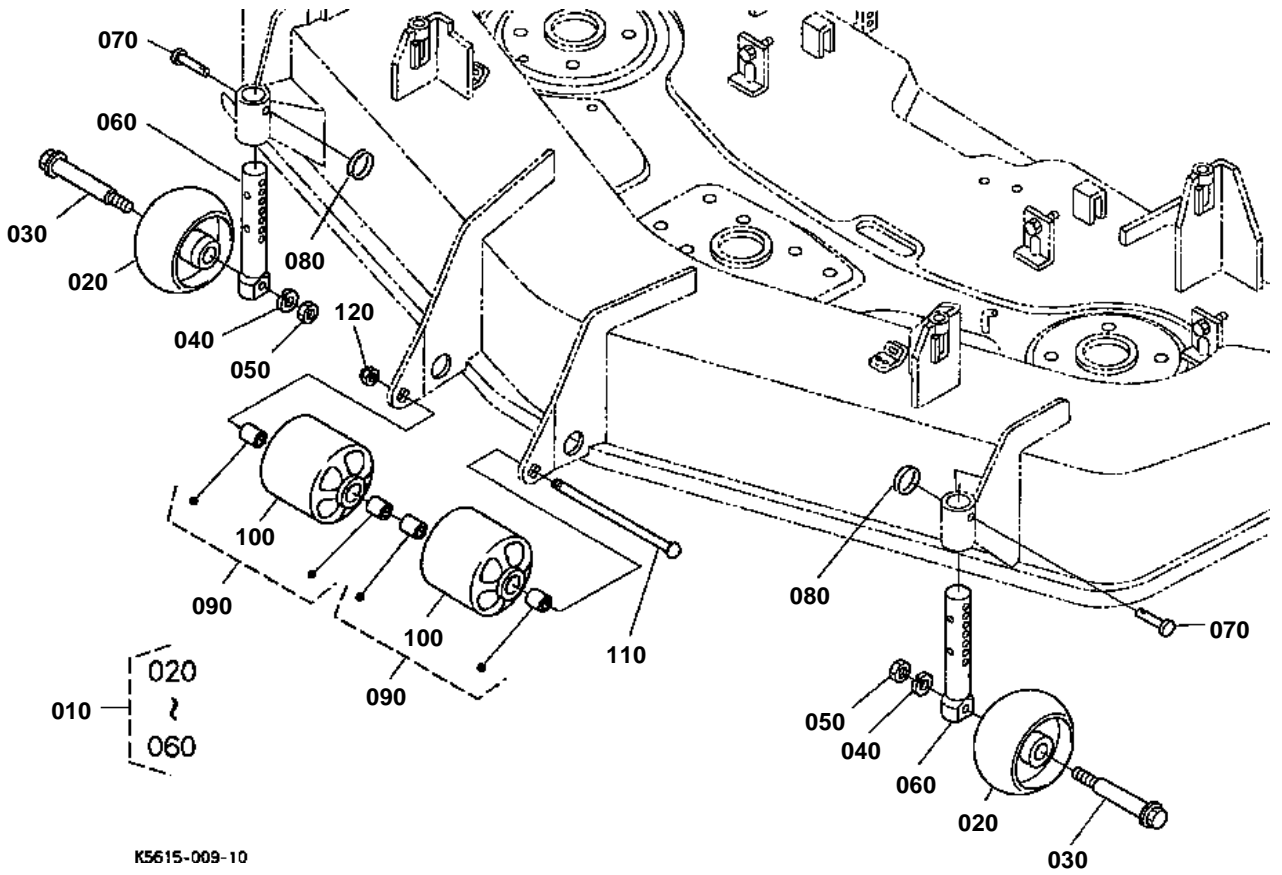


MOWER DECK

↔ Interchangeable; ≠ not interchangeable; ← new for old; → old for new

| REF.No | Part No. | Description | Q'ty | S.No. | I/C | REMARKS | Weight (kgf) | Weight (lb) |
|--------|-------------|---------------------|------|-------|-----|---------|--------------|-------------|
| 010 | K5645-41100 | ASSY MOWER DECK | 1 | | | | 0 | 0 |
| 020 | K5112-73112 | LABEL DANGER | 1 | | | | 0 | 0 |
| 030 | K5112-73122 | LABEL DANGER | 1 | | | | 0 | 0 |
| 040 | K5645-41180 | COVER LEFT | 1 | | | | 0 | 0 |
| 050 | K5645-41510 | CUSHION | 2 | | | | 0 | 0 |
| 060 | K5651-41203 | COVER RIGHT | 1 | | | | 0 | 0 |
| 070 | K5645-41510 | CUSHION | 2 | | | | 0 | 0 |
| 080 | K5645-41910 | BOLT ADJUSTER | 4 | | | | 0 | 0 |
| 090 | 02074-50120 | NUT | 4 | | | | 0.015 | 0.033 |
| 100 | K5371-41310 | PLATE FRONT LH | 1 | | | | 0 | 0 |
| 110 | K1122-91320 | BOLT SHORT SQU.NECK | 3 | | | | 0.01 | 0.022 |
| 120 | 02054-50080 | NUT | 3 | | | | 0.005 | 0.011 |
| 130 | 75599-33012 | WASHER SPRING | 3 | | | | 0 | 0 |
| 140 | K5221-73130 | LABEL ANTI-SCALP | 1 | | | | 0 | 0 |

FRONT GAUGE WHEEL



K5615-009-10

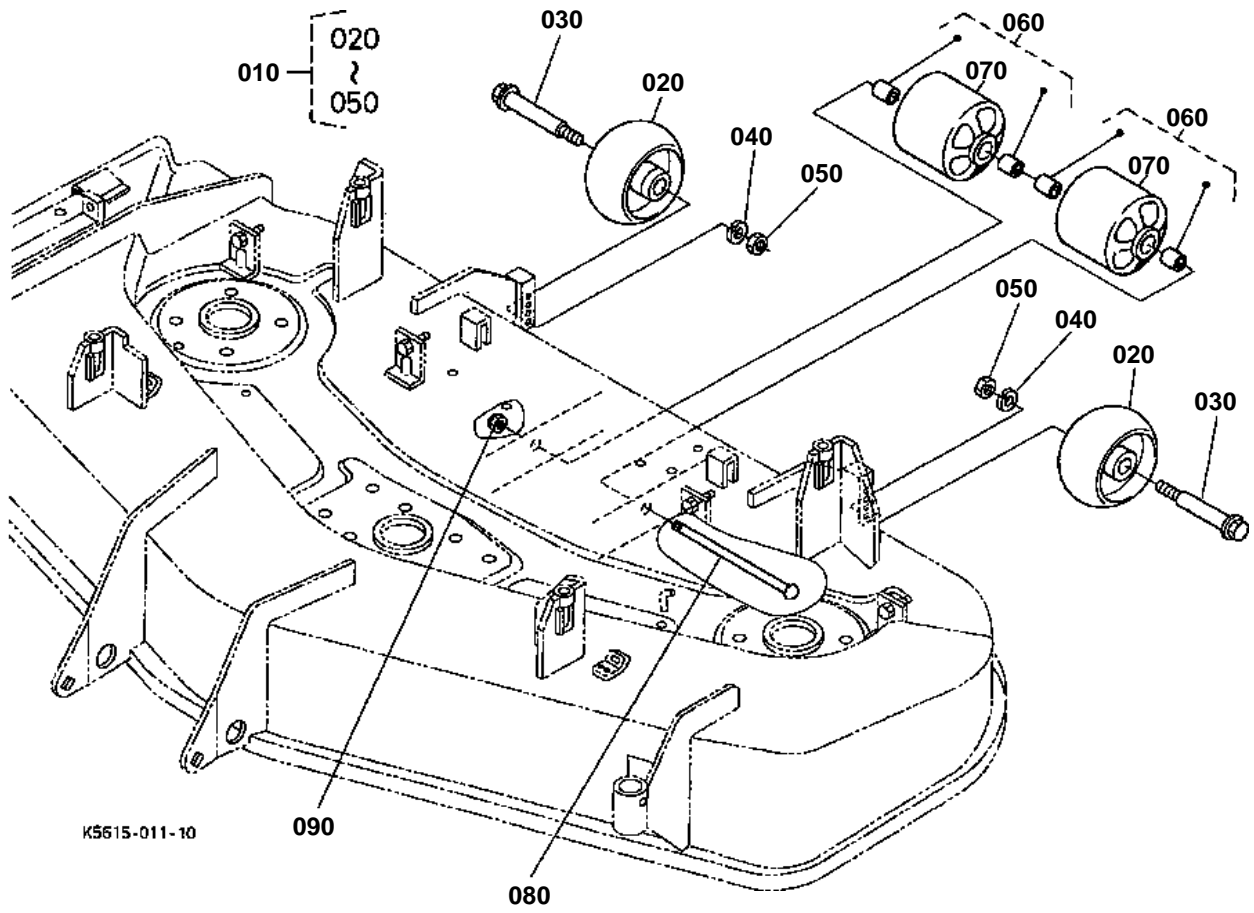


FRONT GAUGE WHEEL

↔ Interchangeable; ≠ not interchangeable; ← new for old; → old for new

| REF.No | Part No. | Description | Q'ty | S.No. | I/C | REMARKS | Weight (kgf) | Weight (lb) |
|--------|-------------|------------------|------|-------|-----|---------|--------------|-------------|
| 010 | K5371-42100 | ASSY GAUGE WHEEL | 2 | | | | 0 | 0 |
| 020 | K5371-42110 | GAUGE WHEEL | 2 | | | | 0 | 0 |
| 030 | K5221-72670 | BOLT SHOULDER | 2 | | | | 0 | 0 |
| 040 | 04512-60100 | WASHER SPRING | 2 | | | | 0.002 | 0.0044 |
| 050 | 02014-50100 | NUT | 2 | | | | 0.011 | 0.0242 |
| 060 | K5221-72680 | PIN GAUGE WHEEL | 2 | | | | 0 | 0 |
| 070 | 75599-51235 | PIN CLEVIS | 2 | | | | 0 | 0 |
| 080 | K5112-72732 | RING SNAP | 2 | | | | 0 | 0 |
| 090 | K5763-46250 | ASSY ROLLER | 2 | | | | 0 | 0 |
| 100 | K5763-46150 | ROLLER | 2 | | | | 0 | 0 |
| 110 | K5221-72650 | BOLT GAUGE | 1 | | | | 0 | 0 |
| 120 | 02572-50120 | NUT LOCK | 1 | | | | 0.014 | 0.0308 |

REAR WHEEL

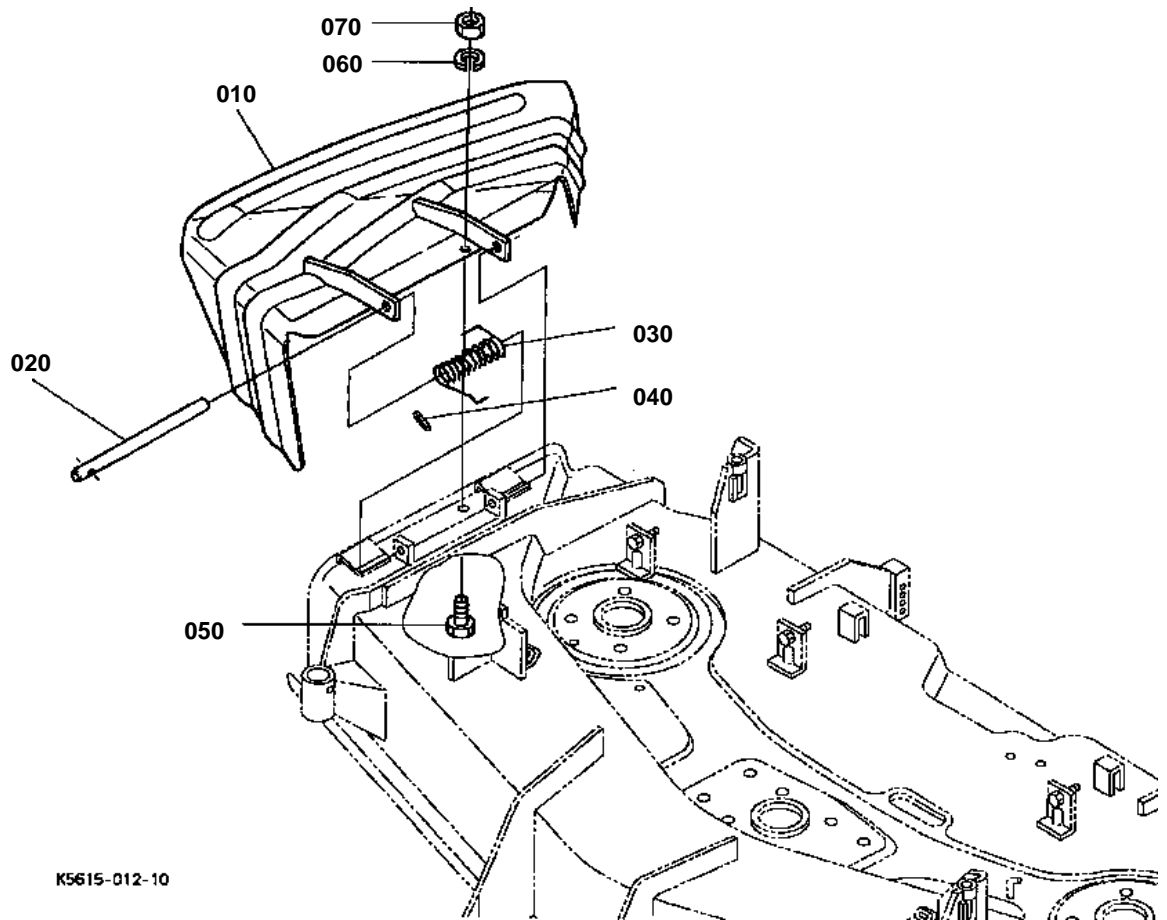


**REAR WHEEL**

↔ Interchangeable; ≠ not interchangeable; ← new for old; → old for new

| REF.No | Part No. | Description | Q'ty | S.No. | I/C | REMARKS | Weight (kgf) | Weight (lb) |
|--------|-------------|------------------|------|-------|-----|---------|--------------|-------------|
| 010 | K5645-42100 | ASSY GAUGE WHEEL | 2 | | | | 0 | 0 |
| 020 | K5371-42110 | GAUGE WHEEL | 2 | | | | 0 | 0 |
| 030 | K5221-72670 | BOLT SHOULDER | 2 | | | | 0 | 0 |
| 040 | 04512-60100 | WASHER SPRING | 2 | | | | 0.002 | 0.0044 |
| 050 | 02014-50100 | NUT | 2 | | | | 0.011 | 0.0242 |
| 060 | K5763-46250 | ASSY ROLLER | 2 | | | | 0 | 0 |
| 070 | K5763-46150 | ROLLER | 2 | | | | 0 | 0 |
| 080 | K5221-72650 | BOLT GAUGE | 1 | | | | 0 | 0 |
| 090 | 02572-50120 | NUT LOCK | 1 | | | | 0.014 | 0.0308 |

DISCHARGE COVER



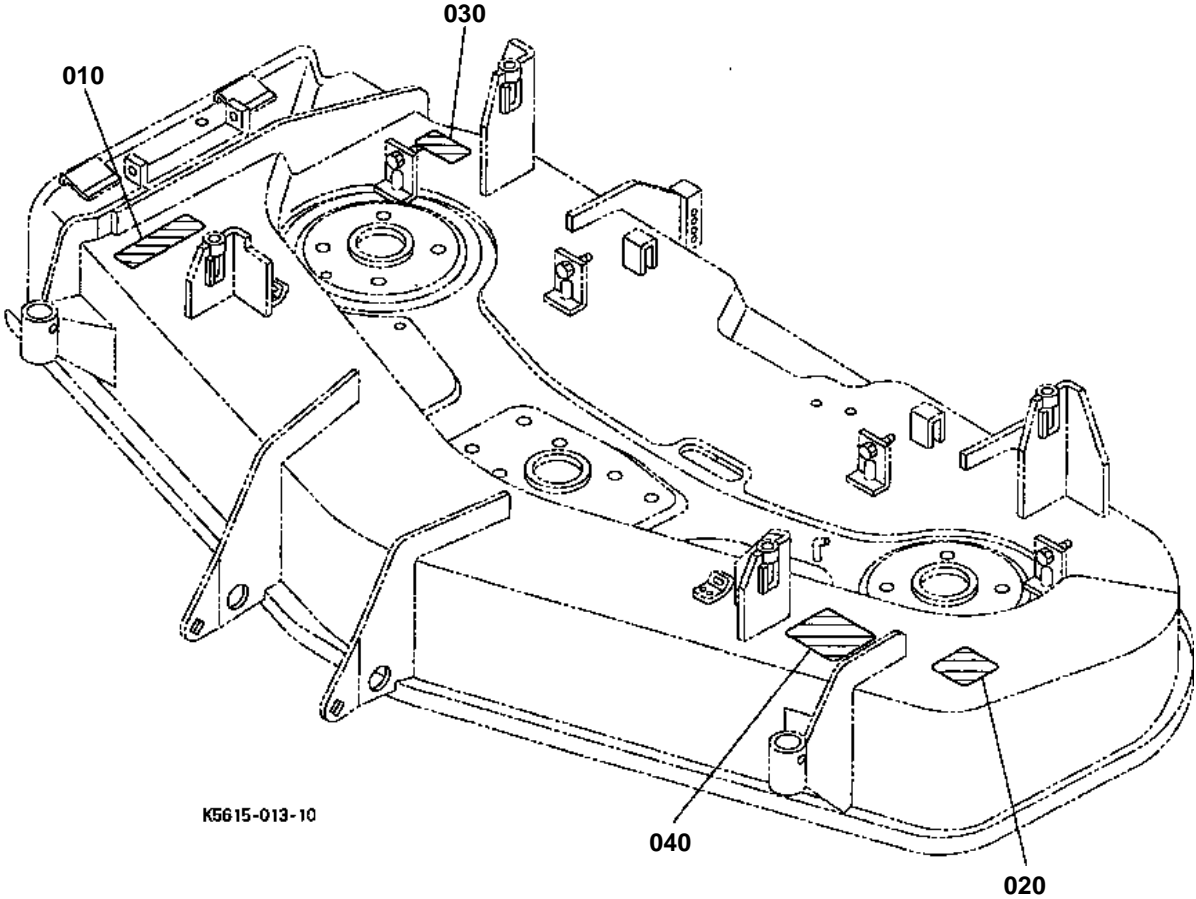


DISCHARGE COVER

↔ Interchangeable; ≠ not interchangeable; ← new for old; → old for new

| REF.No | Part No. | Description | Q'ty | S.No. | I/C | REMARKS | Weight (kgf) | Weight (lb) |
|--------|-------------|------------------|------|-------|-----|---------|--------------|-------------|
| 010 | K5651-47115 | COVER DISCHARGE | 1 | | | | 0 | 0 |
| 020 | K5651-47152 | PIN DISCHARGE | 1 | | | | 0 | 0 |
| 030 | K5651-47163 | SPRING DISCHARGE | 1 | | | | 0 | 0 |
| 040 | 75599-52525 | PIN SPRING | 1 | | | | 0.004 | 0.0088 |
| 050 | 01073-51030 | BOLT | 1 | | | | 0.028 | 0.0616 |
| 060 | 04512-60100 | WASHER SPRING | 1 | | | | 0.002 | 0.0044 |
| 070 | 02018-50100 | NUT | 1 | | | | 0.011 | 0.0242 |

MOWER LABEL





MOWER LABEL

↔ Interchangeable; ≠ not interchangeable; ← new for old; → old for new

| REF.No | Part No. | Description | Q'ty | S.No. | I/C | REMARKS | Weight (kgf) | Weight (lb) |
|--------|-------------|------------------|------|-------|-----|---------|--------------|-------------|
| 010 | K5112-73112 | LABEL DANGER | 1 | | | | 0 | 0 |
| 020 | K5112-73122 | LABEL DANGER | 1 | | | | 0 | 0 |
| 030 | ---- | PLATE NAME | 0 | | | | 0 | 0 |
| 030 | ---- | PLATE NAME | 1 | | | | 0 | 0 |
| 040 | K5221-73130 | LABEL ANTI-SCALP | 1 | | | | 0 | 0 |