

Instructions for Parts Books

The heading at the top of the page will be the same for the picture of the parts as it is for the page with the part numbers.

Definition of column headings on part number pages:

REF.No → The number referring to the part on the picture page of the parts book.

Part No. → The number assigned to this part at the time of printing the parts book.

Description → Description of part.

Q'ty → Quantity of part used on that page.

S.No. → Serial number range of the equipment that this part will fit.

>= Your serial number should be greater than or equal to the number shown.

<= Your serial number should be lesser than or equal to the serial number shown.

I/C → Interchangeability of part shown.

↔ The part shown will work for the older and later serial number.

The part shown is not interchangeable with the other serial number.

← new for old

→ old for new

Remarks → Notes about this particular part. Sometimes this may say except [FR] or [CA]

Note about Country Codes:

The parts books we use in the United States of America may also contain information about a part that would be different in another country. It is important that you are aware of the country codes in some instances.

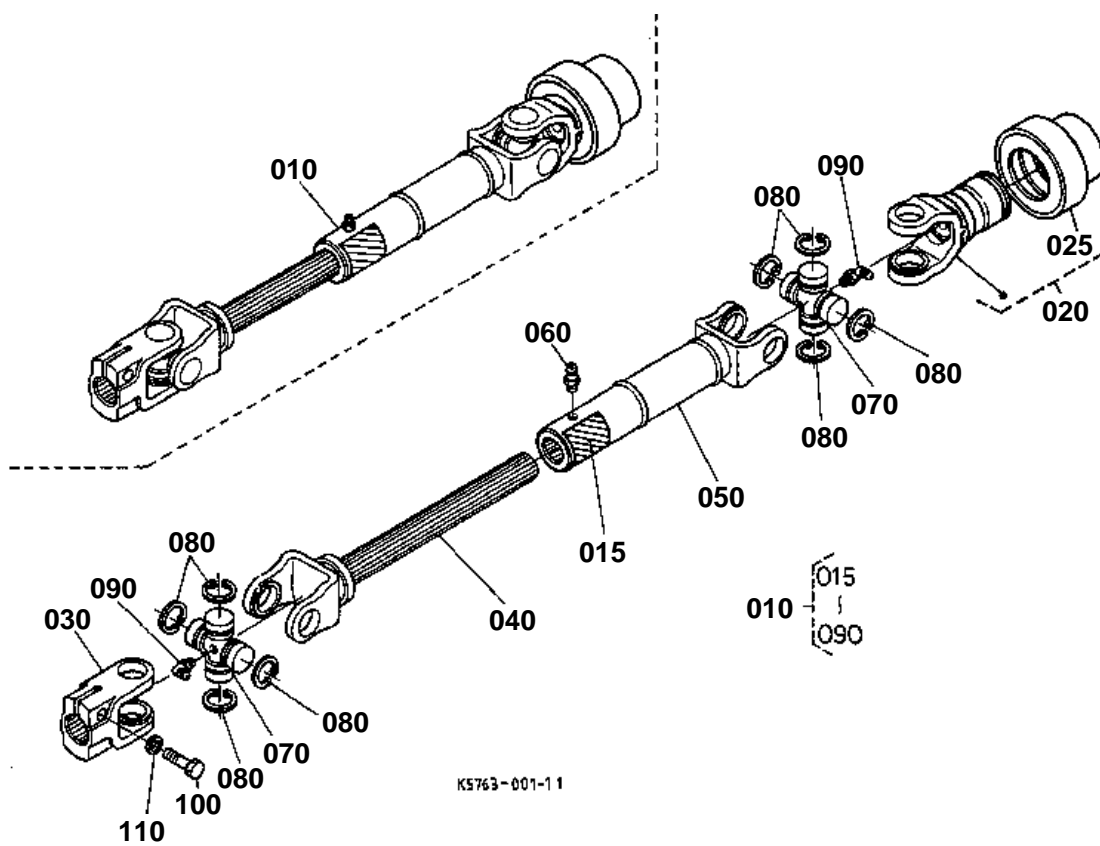
Symbol	Country
A	United States of America
CA	Canada
FR	France
GR	Greece
PO	Portugal
AU	Australia

If the remarks column says for example EXCEPT [FR] this part works in all countries except France. That means it will work here in the USA.

RCK60-30B

Item	Part No.		Book
MOWER	01A001	UNIVERSAL JOINT	100A0271
	01A004	BEVEL GEAR CASE	100A0271
	01A007	PULLEY HOLDER	100A0271
	01A010	BLADE	100A0271
	01A013	TENSION PULLEY	100A0271
	01A100	MOWER DECK	100A0271
	01A103	FRONT GAUGE WHEEL	100A0271
	01A106	REAR WHEEL	100A0271
	01A109	DISCHARGE COVER	100A0271
	01A200	LINKAGE	100A0271
	01A203	LIFT LINKAGE	100A0271
	01A206	LIFT ARM	100A0271
	01A290	STOPPER	100A0271
	01A300	ACCESSORIES AND SERVICE PARTS	100A0271

UNIVERSAL JOINT



K5763-001-1.1

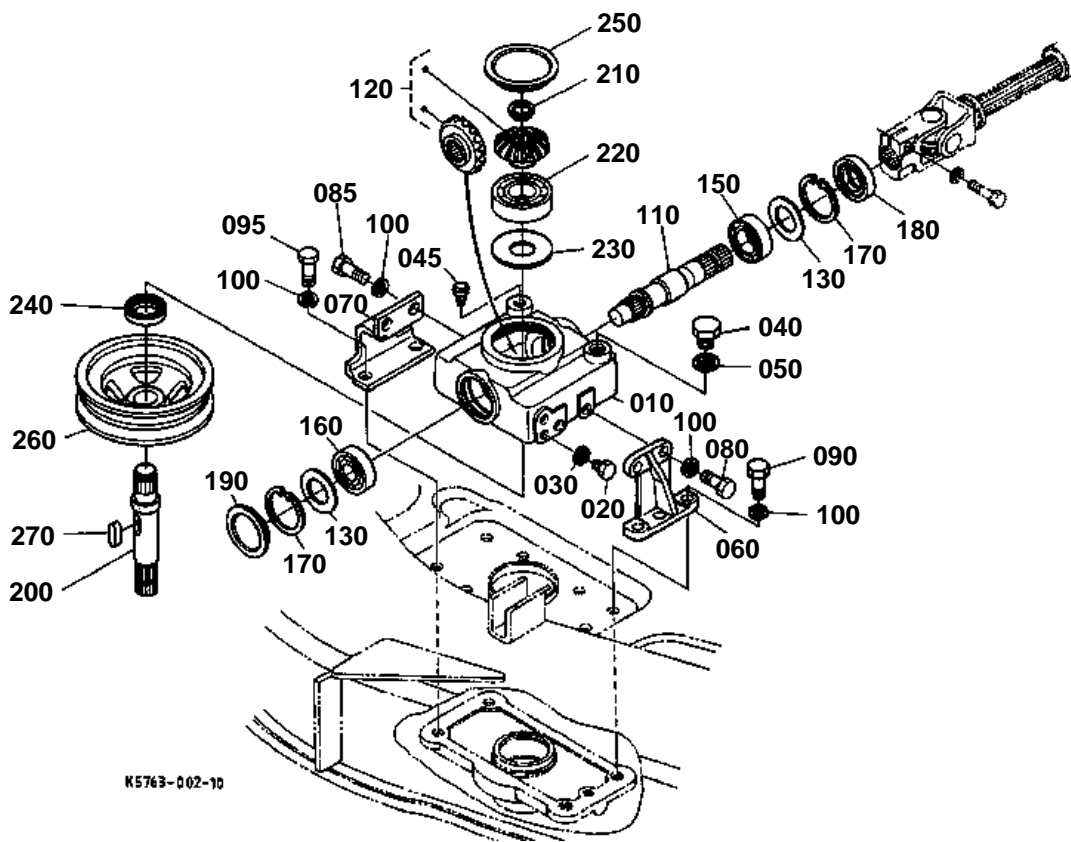


UNIVERSAL JOINT

↔ Interchangeable; ≠ not interchangeable; ← new for old; → old for new

REF.No	Part No.	Description	Q'ty	S.No.	I/C	REMARKS	Weight (kgf)	Weight (lb)
010	K5763-32030	JOINT UNIVERSAL	1				3.75	8.25
015	K5763-73120	LABEL ROTATION	1				0.002	0.0044
020	K5763-31150	YOKE QUICK	1				0.58	1.276
025	K5763-31220	KIT COUPLER REPAIR	1				0.23	0.506
030	K5651-31130	YOKE PTO	1				0.4	0.88
040	K5763-31140	YOKE SHAFT	1				1.22	2.684
050	K5651-31170	YOKE JOINT	1				0.97	2.134
060	K5651-31160	NIPPLE GREASE	1				0.002	0.0044
070	K5651-31180	ASSY JOINT CROSS	2				0.3	0.66
080	K5651-32120	RING SNAP	8			(24-14673)	0.002	0.0044
090	K5651-31210	NIPPLE GREASE	2				0.011	0.0242
100	01153-51035	BOLT	1			(P1.50B14)	0.025	0.055
110	04512-60100	WASHER SPRING	1				0.002	0.0044

BEVEL GEAR CASE

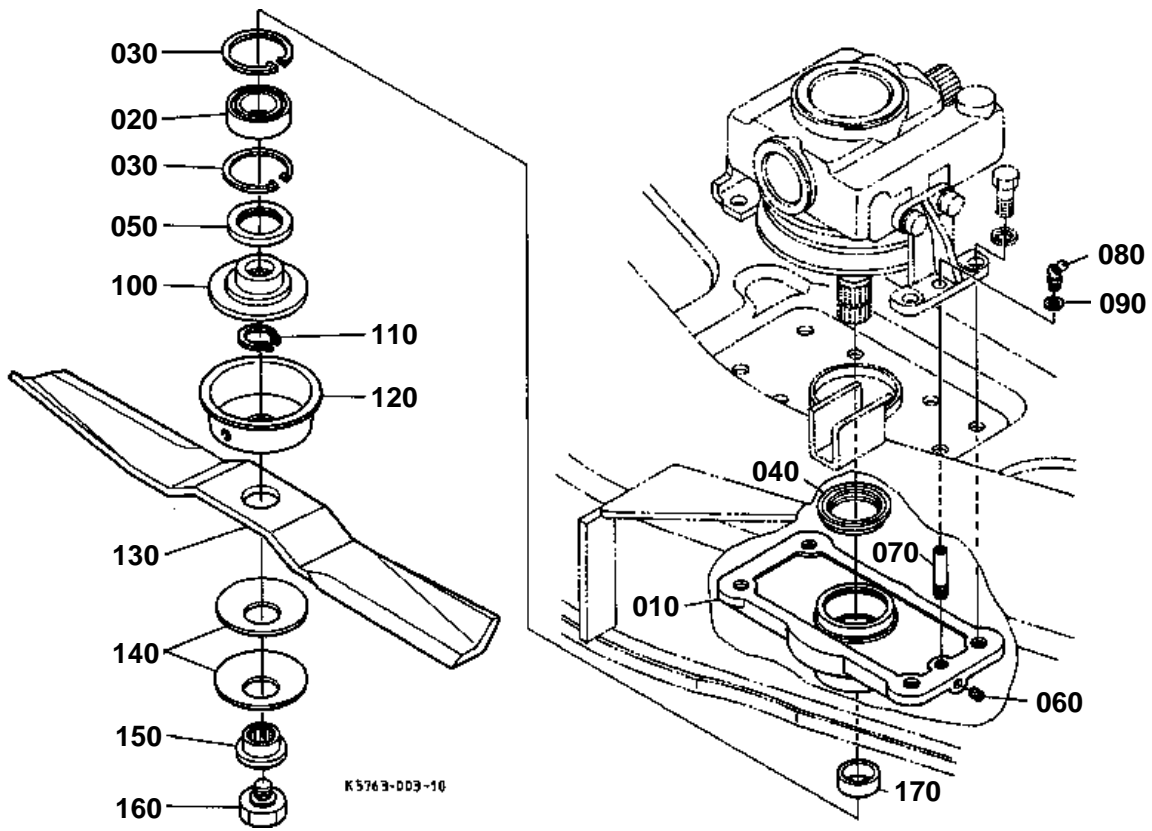


**BEVEL GEAR CASE**

↔ Interchangeable; ≠ not interchangeable; ← new for old; → old for new

REF.No	Part No.	Description	Q'ty	S.No.	I/C	REMARKS	Weight (kgf)	Weight (lb)
010	K5761-33115	CASE BEVEL GEAR	1				3.82	8.404
020	01153-50812	BOLT	2				0.008	0.0176
030	04717-00800	WASHER WITH RUBBER	2				0.001	0.0022
040	06331-35016	PLUG	1				0.04	0.088
045	K5761-33250	PLUG BREATHER	1				0.006	0.0132
050	04711-00300	GASKET	1				0.001	0.0022
060	K5763-33130	STAY CASE LH	1				0.48	1.056
070	K5763-33150	STAY CASE RH	1				0.53	1.166
080	K5763-33210	BOLT REAMER	2			(30)	0.04	0.088
085	01073-51225	BOLT	2			(P1.25B19)	0.035	0.077
090	K5763-33230	BOLT REAMER	2			(35)	0.045	0.099
095	01073-51230	BOLT	2			(P1.25B19)	0.041	0.0902
100	04512-60120	WASHER SPRING	8			(35)	0.005	0.011
110	K5763-33310	SHAFT PINION	1				0.66	1.452
120	K5763-33320	KIT GEAR BEVEL	1				0.45	0.99
130	36330-28420	SHIM	2			0.2mm	0.002	0.0044
130	36330-28410	SHIM	2			0.3mm	0.002	0.0044
140	99999-99999	BLANK	0				0	0
150	08101-06205	BEARING BALL	1				0.14	0.308
160	08101-06304	BEARING BALL	1				0.146	0.3212
170	04611-00520	CIR CLIP INTERNAL	2				0.009	0.0198
180	76535-33440	SEAL OIL	1				0.02	0.044
190	63313-32270	CAP	1				0.03	0.066
200	K5763-33500	SHAFT BEVEL GEAR	1				0.55	1.21
210	04612-00220	CIR CLIP EXTERNAL	1				0.001	0.0022
220	70712-33550	BEARING BALL	1			(62/32)	0.22	0.484
230	70712-33570	SHIM	1			0.1mm	0.001	0.0022
230	76539-33410	SHIM	1			0.2mm	0.001	0.0022
240	K5761-33540	SEAL OIL	1			(TC30477)	0.012	0.0264
250	7C765-51260	CAP	1				0.07	0.154
260	K5761-33520	PULLEY CENTER	1				1.92	4.224
270	05712-00728	KEY FEATHER	1				0.01	0.022

PULLEY HOLDER

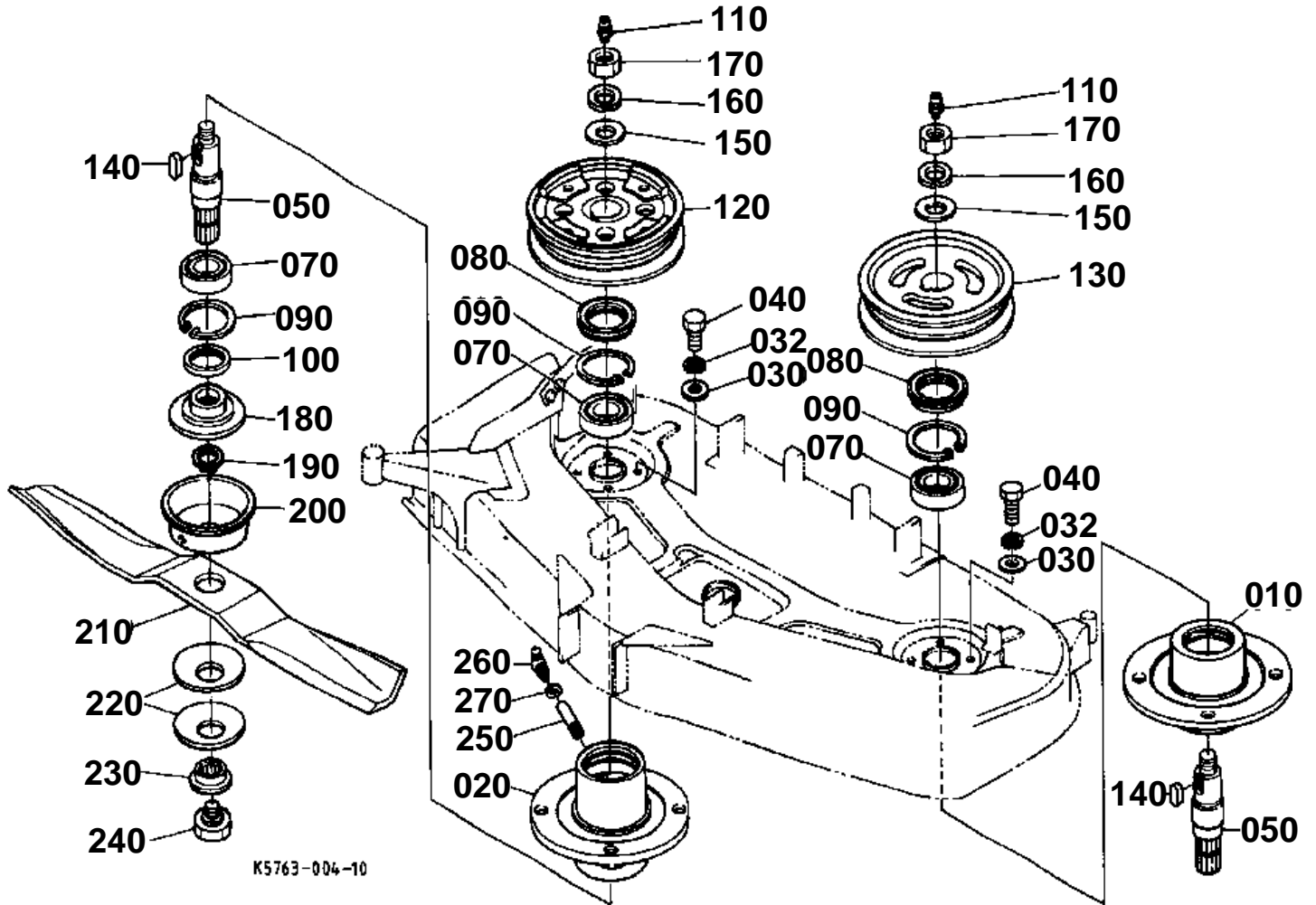




PULLEY HOLDER

↔ Interchangeable; ≠ not interchangeable; ← new for old; → old for new

REF.No	Part No.	Description	Q'ty	S.No.	I/C	REMARKS	Weight (kgf)	Weight (lb)
010	K5763-34110	HOLDER PULLEY CENTER	1				2.92	6.424
020	08101-06205	BEARING BALL	1			(6205)	0.14	0.308
030	04611-00520	CIR CLIP INTERNAL	2				0.009	0.0198
040	70722-34120	OIL SEAL UPPER	1				0.025	0.055
050	70725-34162	OIL SEAL LOWER	1				0.024	0.0528
060	03410-50608	SCREW SET	1				0.001	0.0022
070	K5763-34130	PIPE EXTENSION	1				0.28	0.616
080	K5763-44250	NIPPLE GREASE	1			(45DEG.)	0.01	0.022
090	K5763-27340	SHIM ADJUST	1				0.001	0.0022
100	K5761-34152	BOSS SPLINE	1				0.28	0.616
110	04612-00220	CIR CLIP EXTERNAL	1				0.001	0.0022
120	K5651-34310	COVER DUST	1				0.1	0.22
130	K5651-34340	BLADE H20	1				1.55	3.41
140	K5651-34350	SPRING PLATE	2				0.07	0.154
150	76539-34392	BOSS SPLINE 2	1				0.06	0.132
160	K5651-34370	BOLT	1			(M12*1.25)	0.08	0.176
170	K5763-33520	COLLAR CENTER	1				0.035	0.077

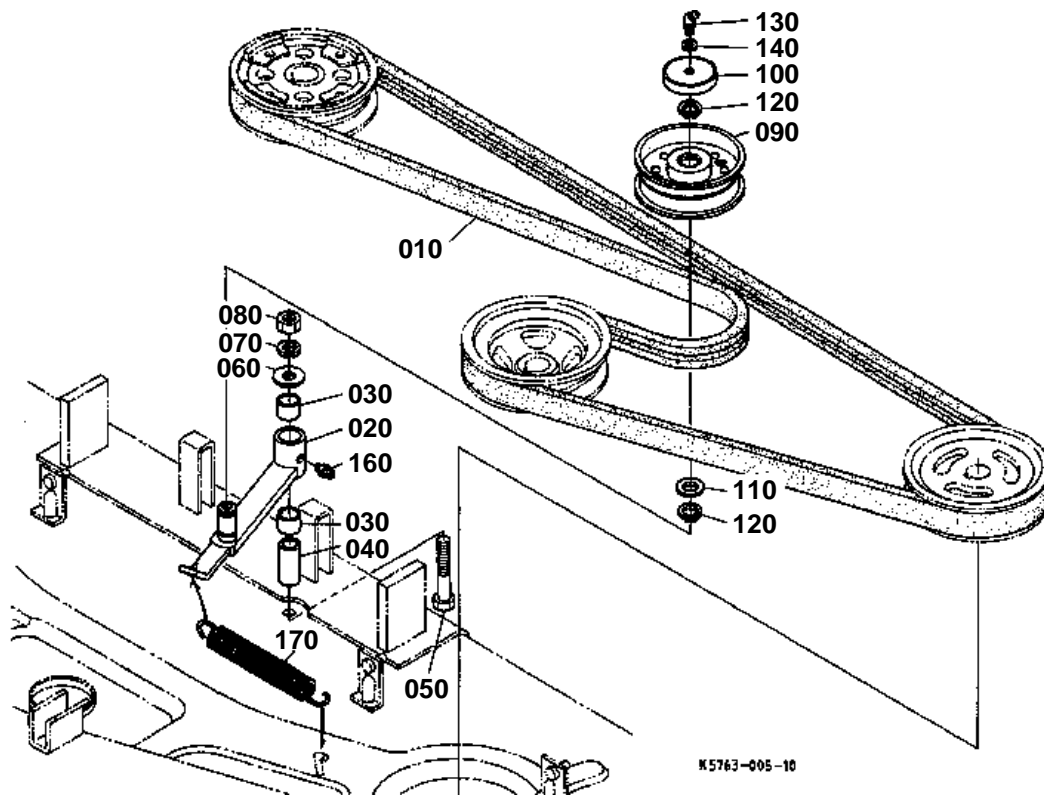


**BLADE**

↔ Interchangeable; ≠ not interchangeable; ← new for old; → old for new

REF.No	Part No.	Description	Q'ty	S.No.	I/C	REMARKS	Weight (kgf)	Weight (lb)
010	K5651-34510	HOLDER PULLEY SIDE	1				2.35	5.17
020	K5763-34520	HOLDER PULLEY RH	1				2.34	5.148
030	75599-32015	WASHER PLAIN	8			(1/2)	0.01	0.022
032	04512-60120	WASHER SPRING	8				0.005	0.011
040	01073-51225	BOLT	8			(P1.25B19)	0.035	0.077
050	K5651-34550	SHAFT BLADE	2				0.55	1.21
060	99999-99999	BLANK	0				0	0
070	08101-06205	BEARING BALL	4			(6205)	0.14	0.308
080	70722-34120	OIL SEAL UPPER	2				0.025	0.055
090	04611-00520	CIR CLIP INTERNAL	4				0.009	0.0198
100	70725-34162	OIL SEAL LOWER	2				0.024	0.0528
110	K1122-15150	NIPPLE GREASE	2			(M6*1.0)	0.002	0.0044
120	K5763-33570	PULLEY SIDE RH	1				1.75	3.85
130	K5651-33580	PULLY SIDE	1				1.6	3.52
140	05712-00722	KEY FEATHER	2				0.009	0.0198
150	K5651-34560	WASHER PLAIN	2				0.024	0.0528
160	04512-60160	WASHER SPRING	2				0.01	0.022
170	02074-50160	NUT	2				0.029	0.0638
180	K5761-34152	BOSS SPLINE	2				0.28	0.616
190	04612-00220	CIR CLIP EXTERNAL	2				0.001	0.0022
200	K5651-34310	COVER DUST	2				0.1	0.22
210	K5651-34340	BLADE H20	2				1.55	3.41
220	K5651-34350	SPRING PLATE	4				0.07	0.154
230	76539-34392	BOSS SPLINE 2	2				0.06	0.132
240	K5651-34370	BOLT	2			(M12*1.25)	0.08	0.176
250	K5763-34130	PIPE EXTENSION	1				0.28	0.616
260	K5763-44250	NIPPLE GREASE	1			(45DEG.)	0.01	0.022
270	K5763-27340	SHIM ADJUST	1				0.001	0.0022

TENSION PULLEY



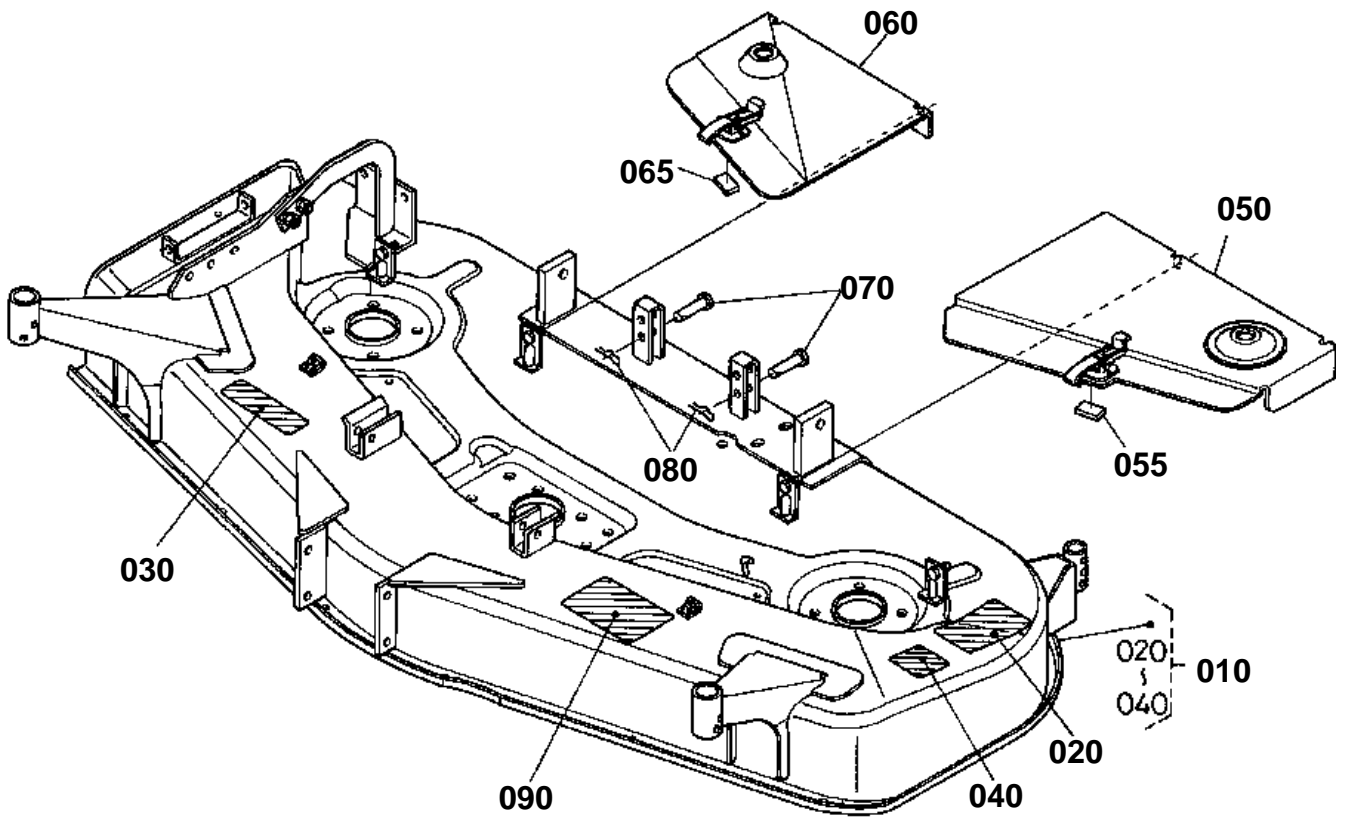


TENSION PULLEY

↔ Interchangeable; ≠ not interchangeable; ← new for old; → old for new

REF.No	Part No.	Description	Q'ty	S.No.	I/C	REMARKS	Weight (kgf)	Weight (lb)
010	K5763-34710	BELT MULTI	1			(119in.)	0.89	1.958
020	K5763-34730	ARM TENSION	1				0.58	1.276
030	K5651-20150	BUSHING TENSION	2				0.017	0.0374
040	K5651-34780	COLLAR TENSION	1				0.055	0.121
050	01073-51270	BOLT	1			(P1.25B19)	0.06	0.132
060	75599-32015	WASHER PLAIN	1			(1/2)	0.01	0.022
070	04512-60120	WASHER SPRING	1				0.005	0.011
080	02074-50120	NUT	1			(P1.25B19)	0.015	0.033
090	K5651-34880	PULLEY TENSION	1				0.55	1.21
100	K5651-34790	COVER TENSION	1				0.02	0.044
110	K5651-34800	SEAL BEARING	1				0.001	0.0022
120	04612-00170	CIR CLIP EXTERNAL	2				0.001	0.0022
130	K5763-12100	NIPPLE GREASE	1			(45DEG.)	0.007	0.0154
140	K5763-27350	SHIM ADJUST	1			(M8)	0.001	0.0022
150	99999-99999	BLANK	0				0	0
160	K1122-15150	NIPPLE GREASE	1			(M6*1.0)	0.002	0.0044
170	K5763-34750	SPRING TENSION	1				0.17	0.374

MOWER DECK



K5772-001-10

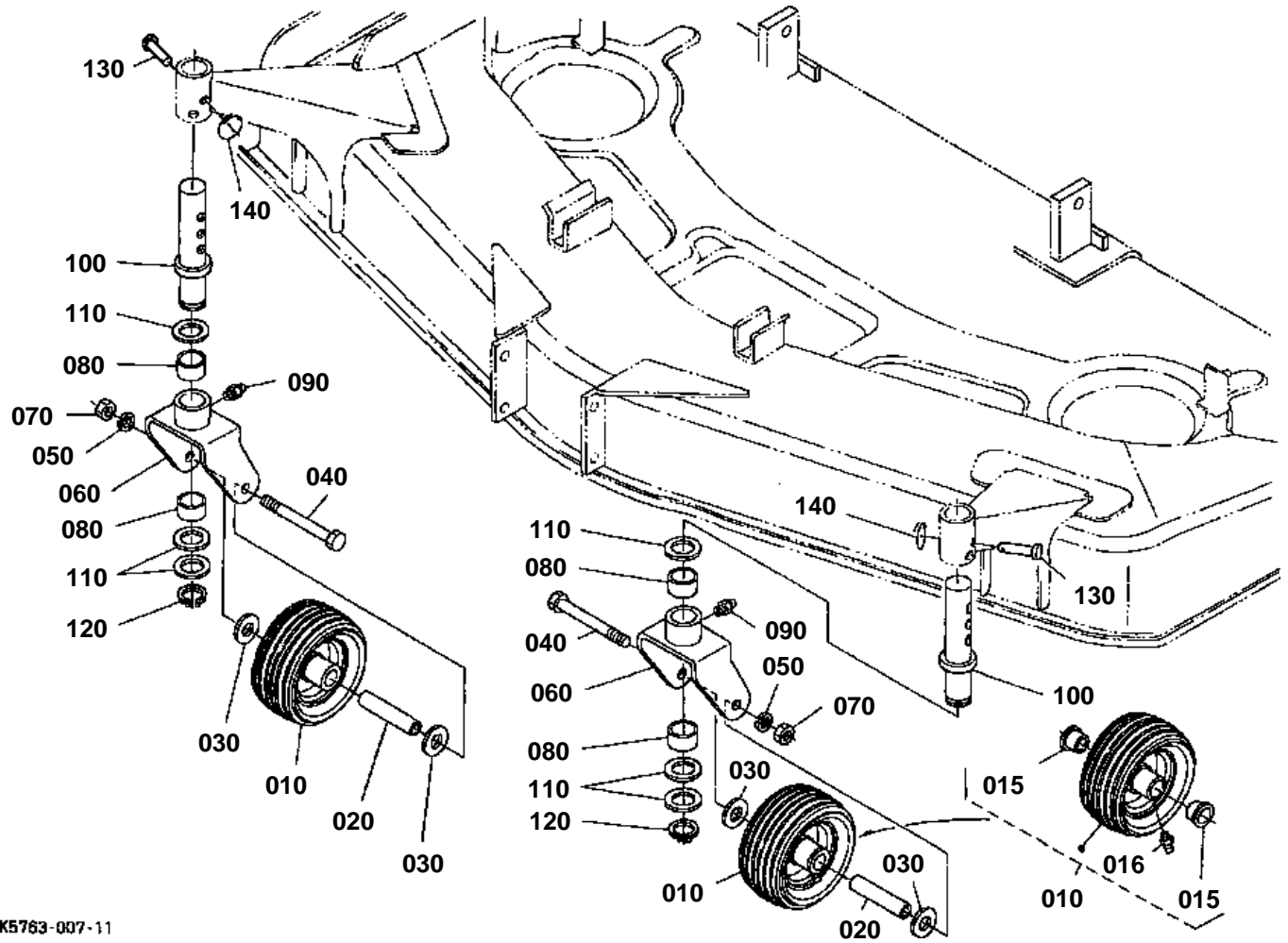


MOWER DECK

↔ Interchangeable; ≠ not interchangeable; ← new for old; → old for new

REF.No	Part No.	Description	Q'ty	S.No.	I/C	REMARKS	Weight (kgf)	Weight (lb)
010	K5763-41100	ASSY MOWER DECK	1				9	19.8
020	K5763-47150	LABEL CAUTION	1				0.011	0.0242
030	K5112-73110	LABEL DANGER 1	1				0.002	0.0044
040	K5112-73120	LABEL DANGER 2	1				0.001	0.0022
050	K5763-41180	COVER LEFT	1				2	4.4
055	K1122-57163	PLATE RUBBER	1				0.001	0.0022
060	K5651-41200	COVER RIGHT	1				1.35	2.97
065	K1122-57163	PLATE RUBBER	1				0.001	0.0022
070	75599-51535	PIN CLEVIS	2			(1/2*1-3/4)	0.048	0.1056
080	75599-56006	HAIRPIN COTTER	2				0.01	0.022
090	K5763-41190	LABEL HEIGHT	1				0.008	0.0176

FRONT GAUGE WHEEL



K5763-007-11

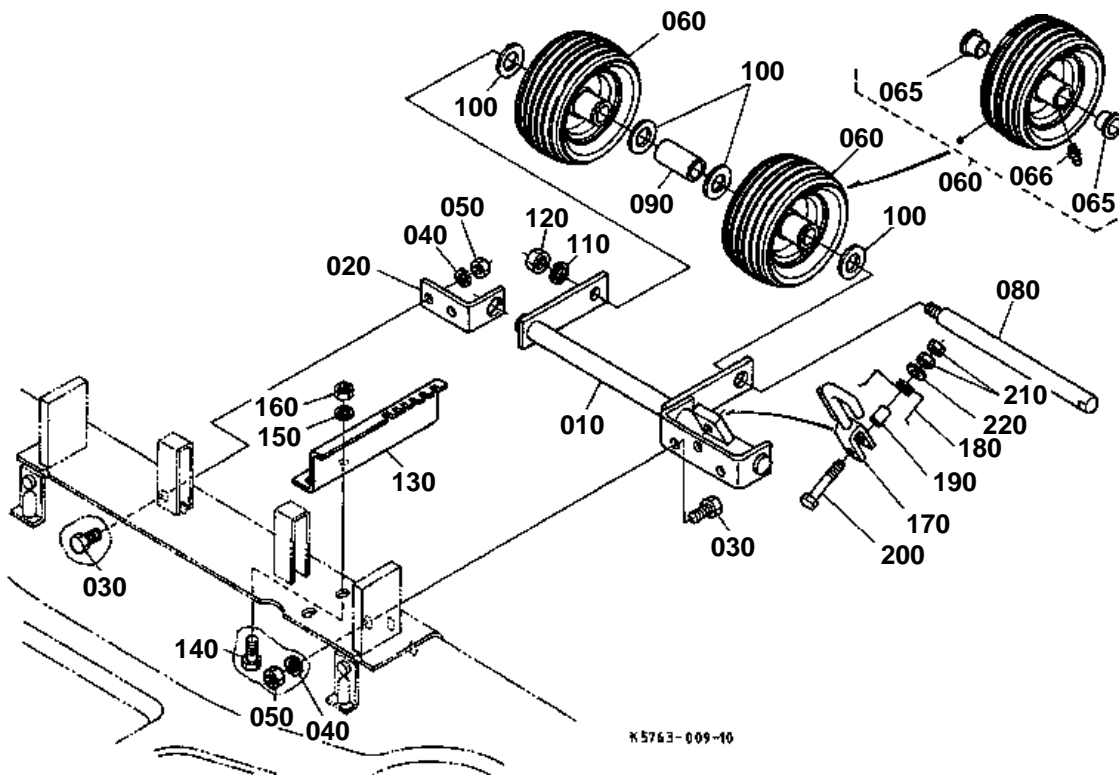


FRONT GAUGE WHEEL

↔ Interchangeable; ≠ not interchangeable; ← new for old; → old for new

REF.No	Part No.	Description	Q'ty	S.No.	I/C	REMARKS	Weight (kgf)	Weight (lb)
010	K5763-42130	ASSY WHEEL GA 6.25*3	2			(60.25*3)	1.8	3.96
015	K5763-74270	BUSHING 0.75 I.D.	8				0.06	0.132
016	K5763-74280	NIPPLE GREASE	4			(#47606)	0.009	0.0198
020	K5763-42120	COLLAR WHEEL	2				0.115	0.253
030	75599-32018	WASHER PLAIN	4			(3/4)	0.017	0.0374
040	01173-61204	BOLT	2			(P1.25B19L120)	0.105	0.231
050	04512-60120	WASHER SPRING	2				0.005	0.011
060	K5763-34200	HOLDER GAUGE	2				1.15	2.53
070	02074-50120	NUT	2			(P1.25B19)	0.015	0.033
080	K5763-42190	BUSHING GAUGE HOLDER	4				0.028	0.0616
090	K1122-15150	NIPPLE GREASE	2			(M6*1.0)	0.002	0.0044
100	K5763-43110	SHAFT HOLDER	2				1.14	2.508
110	K5651-43150	COLLAR HOLDER	6				0.01	0.022
120	04612-00300	CIR CLIP EXTERNAL	2				0.003	0.0066
130	75599-51345	PIN CLEVIS	2			(3/8)	0.05	0.11
140	K5112-72730	RING SNAP	2				0.01	0.022

REAR WHEEL



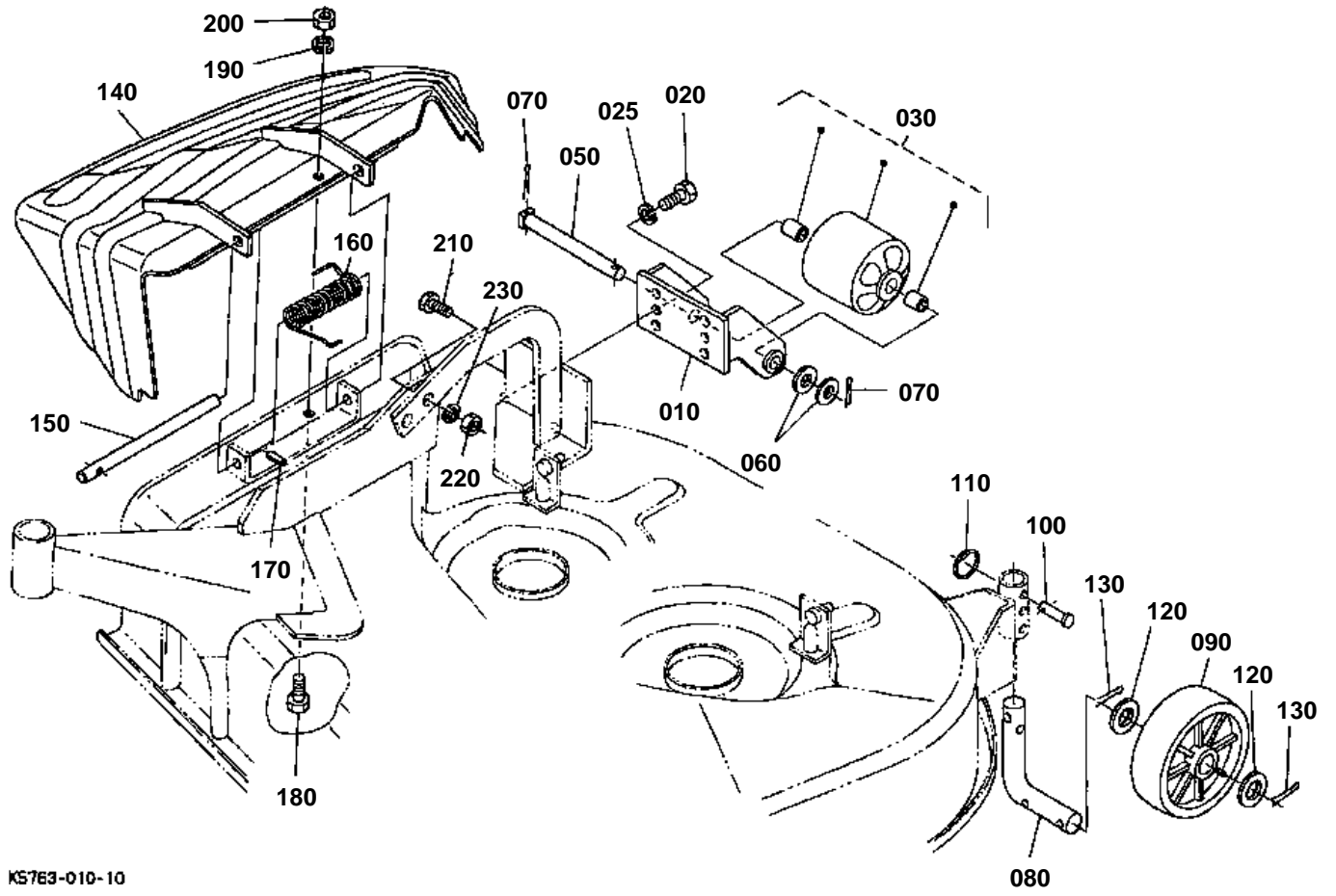
K5763-009-10

**REAR WHEEL**

↔ Interchangeable; ≠ not interchangeable; ← new for old; → old for new

REF.No	Part No.	Description	Q'ty	S.No.	I/C	REMARKS	Weight (kgf)	Weight (lb)
010	K5763-44110	ARM REAR WHEEL	1				2.35	5.17
020	K5763-44130	BRACKET REAR WHEEL	1				0.21	0.462
030	01073-51025	BOLT	5			(P1.25B17)	0.025	0.055
040	04512-60100	WASHER SPRING	5				0.002	0.0044
050	02018-50100	NUT	5			(P1.25B17)	0.011	0.0242
060	K5763-42130	ASSY WHEEL GA 6.25*3	2			(6.25*3)	1.8	3.96
065	K5763-74270	BUSHING 0.75 I.D.	8				0.06	0.132
066	K5763-74280	NIPPLE GREASE	4			(#47606)	0.009	0.0198
070	99999-99999	BLANK	0				0	0
080	K5763-44170	SHAFT REAR WHEEL	1				0.58	1.276
090	K5763-44180	COLLAR REAR WHEEL	1				0.12	0.264
100	75599-32018	WASHER PLAIN	4			(3/4)	0.017	0.0374
110	04512-60120	WASHER SPRING	1				0.005	0.011
120	02074-50120	NUT	1			(P1.25B19)	0.015	0.033
130	K5763-45110	PLATE GUIDE	1				0.65	1.43
140	01073-51025	BOLT	2			(P1.25B17)	0.025	0.055
150	04512-60100	WASHER SPRING	2				0.002	0.0044
160	02018-50100	NUT	2			(P1.25B17)	0.011	0.0242
170	K5763-45172	LEVER REAR WHEEL	1				0.34	0.748
180	K5763-45190	SPRING RETURN	1				0.03	0.066
190	K5763-33190	COLLAR LEVER	1				0.012	0.0264
200	01053-50860	BOLT	1			(P1.25B13)	0.024	0.0528
210	02054-50080	NUT	2			(P1.25B13)	0.005	0.011
220	75599-32012	WASHER PLAIN	1			(5/16)	0.002	0.0044

DISCHARGE COVER



KS7E3-010-10

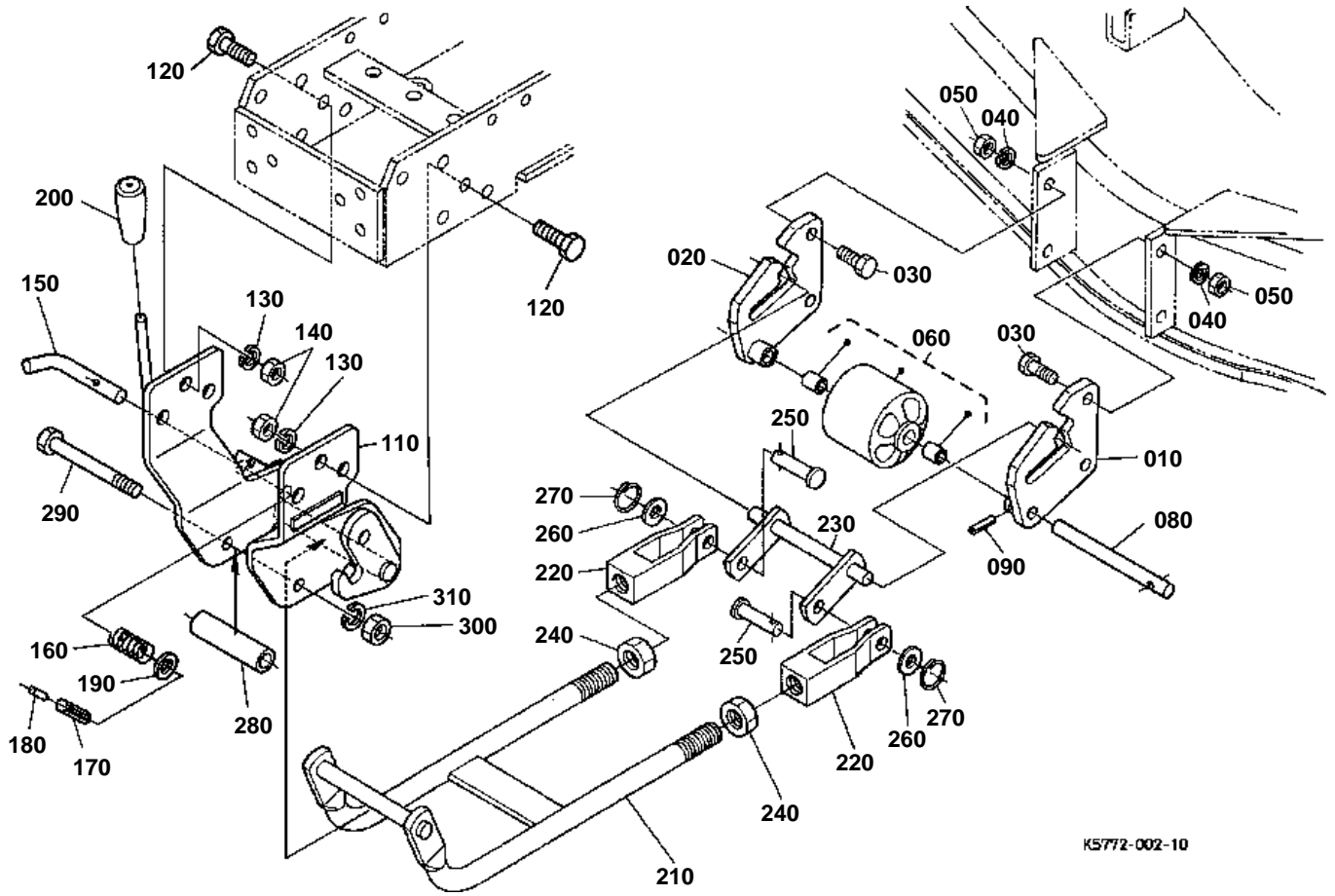


DISCHARGE COVER

↔ Interchangeable; ≠ not interchangeable; ← new for old; → old for new

REF.No	Part No.	Description	Q'ty	S.No.	I/C	REMARKS	Weight (kgf)	Weight (lb)
010	K5763-46140	SUPPORT STAY ROLLER	1				0.7	1.54
020	01073-51025	BOLT	2			(P1.25B17)	0.025	0.055
025	04512-60100	WASHER SPRING	2				0.002	0.0044
030	K5763-46250	ROLLER ANTI-SCALP	1			(3.0S)	0.32	0.704
040	99999-99999	BLANK	0				0	0
050	K5651-46180	PIN GAUGE	1				0.15	0.33
060	75599-32015	WASHER PLAIN	2			(1/2)	0.01	0.022
070	75599-53173	PIN COTTER	2			(1/8*1)	0.002	0.0044
080	K5763-61690	SHAFT ROLLER LH	1				0.39	0.858
090	K5763-61700	ROLLER ANTI-SCALP	1			(5.0*1.5)	0.214	0.4708
100	75599-51227	PIN CLEVIS	1			(5/16*1-3/8)	0.014	0.0308
110	K5142-72730	RING SNAP 2	1			(2)	0.003	0.0066
120	75599-32018	WASHER PLAIN	2			(3/4)	0.017	0.0374
130	75599-53174	PIN COTTER	2			(1/8*1-1/4)	0.003	0.0066
140	K5651-47110	COVER DISCHARGE	1				4.8	10.56
150	K5651-47150	PIN DISCHARGE	1				0.2	0.44
160	K5651-47160	SPRING DISCHARGE	1				0.12	0.264
170	75599-52525	PIN SPRING	1			(7/32*1-3/4)	0.004	0.0088
180	01073-51030	BOLT	1			(P1.25B17)	0.028	0.0616
190	04512-60100	WASHER SPRING	1				0.002	0.0044
200	02018-50100	NUT	1			(P1.25B17)	0.011	0.0242
210	01073-51030	BOLT	2				0.028	0.0616
220	02018-50100	NUT	2				0.011	0.0242
230	04512-60100	WASHER SPRING	2				0.002	0.0044

LINKAGE



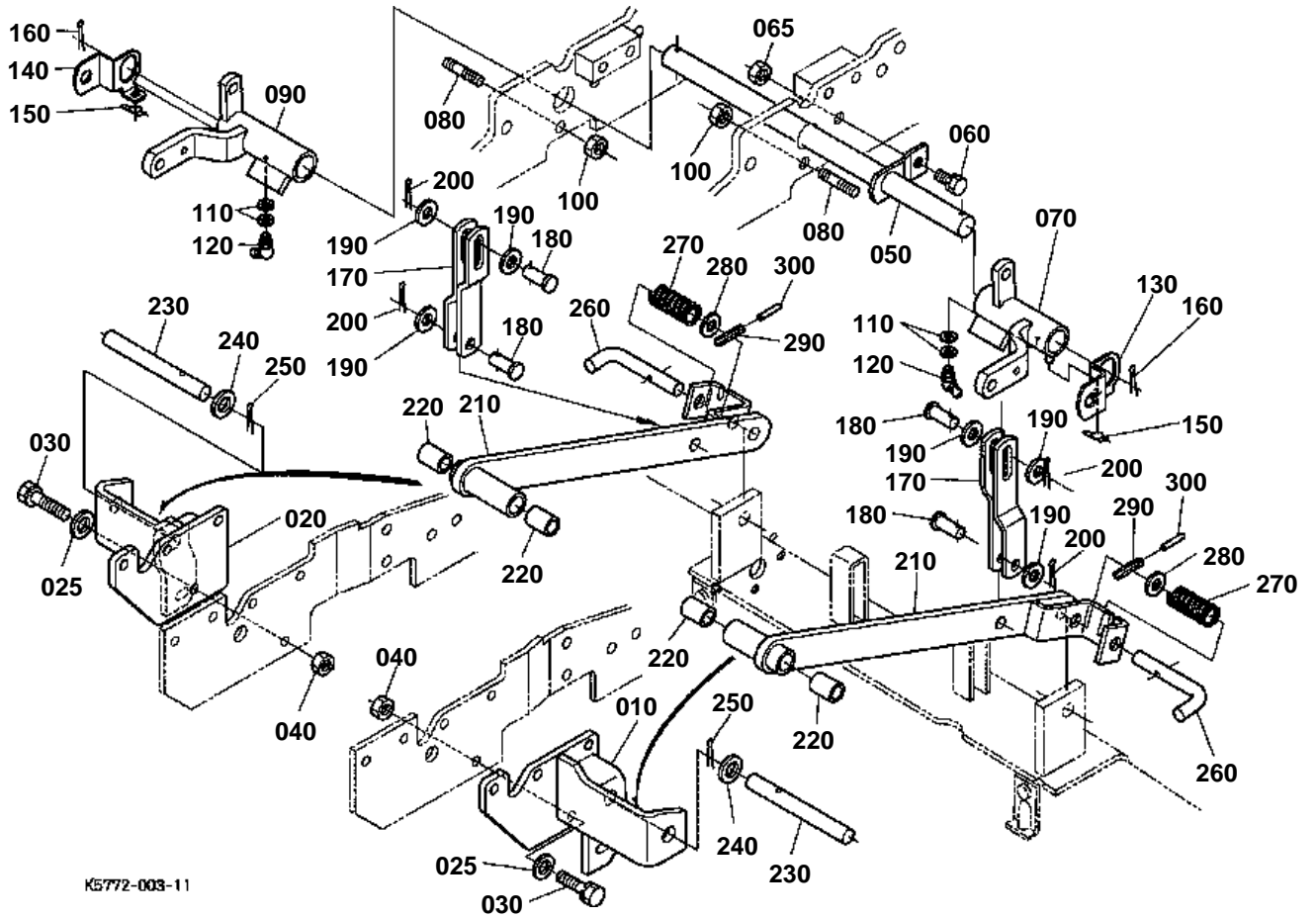


LINKAGE

↔ Interchangeable; ≠ not interchangeable; ← new for old; → old for new

REF.No	Part No.	Description	Q'ty	S.No.	I/C	REMARKS	Weight (kgf)	Weight (lb)
010	K5763-46110	BRACKET LH B	1				0.74	1.628
020	K5763-46120	BRACKET RH B	1				0.74	1.628
030	01073-51030	BOLT	4			(P1.25B17)	0.028	0.0616
040	04512-60100	WASHER SPRING	4				0.002	0.0044
050	02018-50100	NUT	4			(P1.25B17)	0.011	0.0242
060	K5763-46250	ROLLER ANTI-SCALP	1			(3.0S)	0.32	0.704
070	99999-99999	BLANK	0				0	0
080	K5763-46170	PIN GAUGE FRONT	1				0.16	0.352
090	75599-52515	PIN SPRING	1			(7/32-3/4)	0.003	0.0066
100	99999-99999	BLANK	0				0	0
110	K5772-44510	STAY FRONT	1				0	0
120	01073-51435	BOLT	6			(P1.50B22)	0.063	0.1386
130	75599-33016	WASHER SPRING	6			(9/16)	0.08	0.176
140	02074-50140	NUT	6			(P1.50B22)	0.021	0.0462
150	K5763-44540	PIN FRONT	1				0.16	0.352
160	K5763-44560	SPRING PIN FRONT	1				0.01	0.022
170	75599-52532	PIN SPRING	1			(7/32*1-5/8)	0.005	0.011
180	75599-52232	PIN SPRING	1			(1/8*1-5/8)	0.002	0.0044
190	75599-32016	WASHER PLAIN	1			(9/16)	0.009	0.0198
200	K5763-00120	GRIP LEVER	1				0.048	0.1056
210	K5763-44610	LINK FRONT 1	1				3.24	7.128
220	K5763-44630	LINK FRONT 2	2				0.46	1.012
230	K5763-44670	LINK FRONT 3	1				0.44	0.968
240	75599-31069	HEX.NUT	2			(7/8*18UNF)	0.082	0.1804
250	75599-51635	PIN CLEVIS	2			(9/16*1-3/4)	0.068	0.1496
260	75599-32016	WASHER PLAIN	2			(9/16)	0.009	0.0198
270	K5112-72730	RING SNAP	2				0.01	0.022
280	K5771-44570	TUBE SPACER	1				0.12	0.264
290	01073-51206	BOLT	1				0.01	0.022
300	02074-50120	NUT	1				0.015	0.033
310	04512-60120	WASHER SPRING	1				0.005	0.011

LIFT LINKAGE

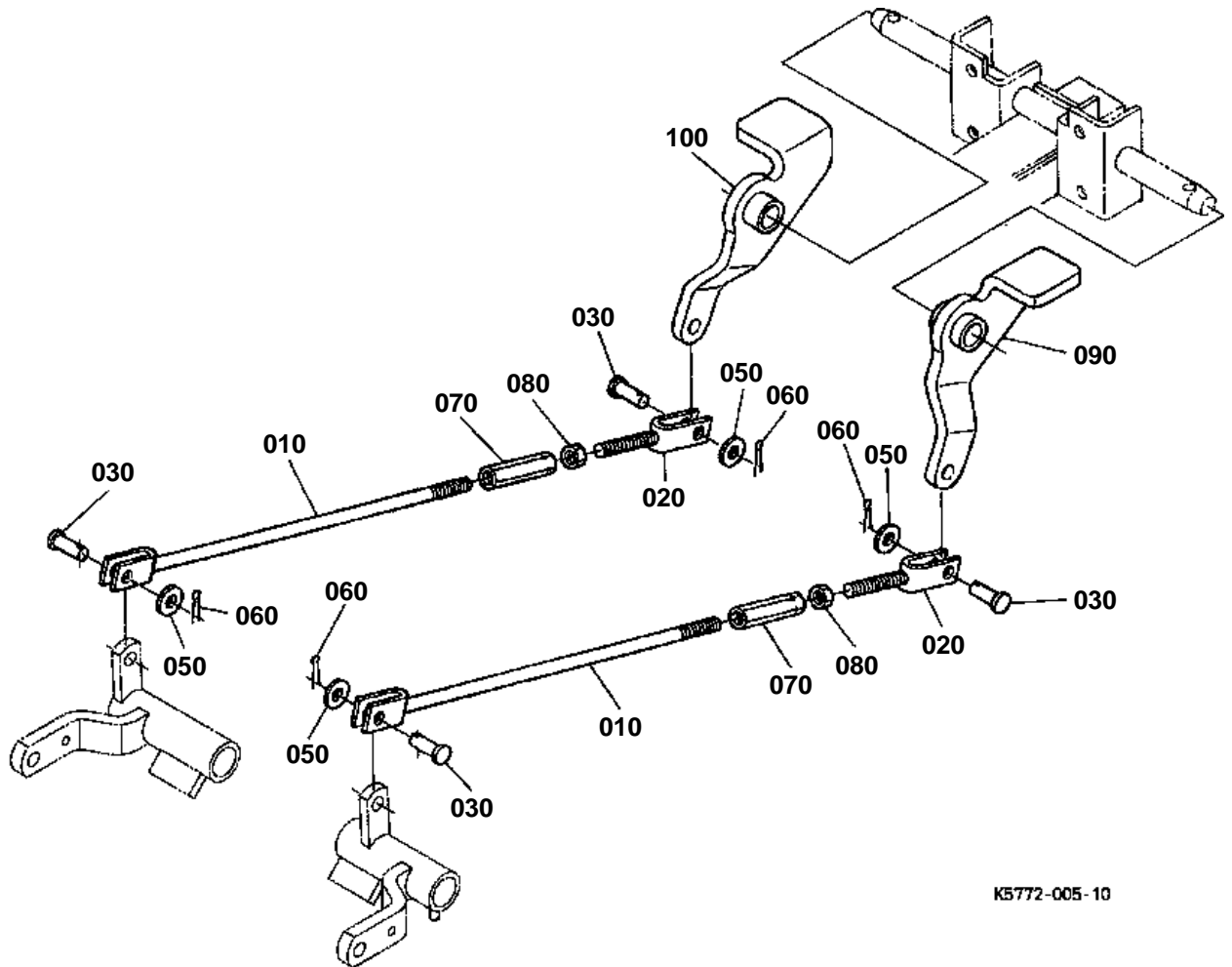


**LIFT LINKAGE**

↔ Interchangeable; ≠ not interchangeable; ← new for old; → old for new

REF.No	Part No.	Description	Q'ty	S.No.	I/C	REMARKS	Weight (kgf)	Weight (lb)
010	K5772-51110	STAY FRONT LH	1				0	0
020	K5772-51130	STAY FRONT RH	1				0	0
025	K5763-14950	WASHER	8				0.01	0.022
030	01123-51245	BOLT	8				0.048	0.1056
040	02114-50120	NUT	2				0.011	0.0242
050	K5772-51100	SHAFT LIFT	1				0	0
060	01133-51225	BOLT	1				0.035	0.077
065	02174-50120	NUT	1				0.01	0.022
070	K5772-51190	ARM LIFT 2 LH	1				0	0
080	01575-51235	STUD	2				0.04	0.088
090	K5772-51210	ARM LIFT 2 RH	1				0	0
100	02172-50120	NUT	2				0.01	0.022
110	K5763-27340	SHIM ADJUST	4				0.001	0.0022
120	K5763-44250	NIPPLE GREASE	2			(45DEG.)	0.01	0.022
130	K5772-51300	PLATE STOPPER LH	1				0	0
140	K5772-51310	PLATE STOPPER RH	1				0	0
150	K1211-91120	RUE RING COTTER	2			(5/16)	0.001	0.0022
160	75599-53226	PIN COTTER	2			(7/32*1-3/4)	0.008	0.0176
170	K5772-51250	LINK LIFT	2				0	0
180	75599-51530	PIN CLEVIS	4			(1/2*1-1/2)	0.042	0.0924
190	75599-32015	WASHER PLAIN	6			(1/2)	0.01	0.022
200	75599-53174	PIN COTTER	4			(1/8*1-1/4)	0.003	0.0066
210	K5772-51290	LINK REAR	2				0	0
220	K5763-51280	BUSHING LINK	4				0.02	0.044
230	K5772-51160	PIN STAY	2				0	0
240	K5763-51140	WASHER PLAIN	2				0.013	0.0286
250	75599-53174	PIN COTTER	2			(1/8*1-1/4)	0.003	0.0066
260	K5651-44650	PIN REAR	2				0.2	0.44
270	K5651-44670	SPRING PIN	2				0.21	0.462
280	75599-32016	WASHER PLAIN	2			(9/16)	0.009	0.0198
290	75599-52532	PIN SPRING	2			(7/32*1-5/8)	0.005	0.011
300	75599-52232	PIN SPRING	2			(1/8*1-5/8)	0.002	0.0044

LIFT ARM



K5772-005-10

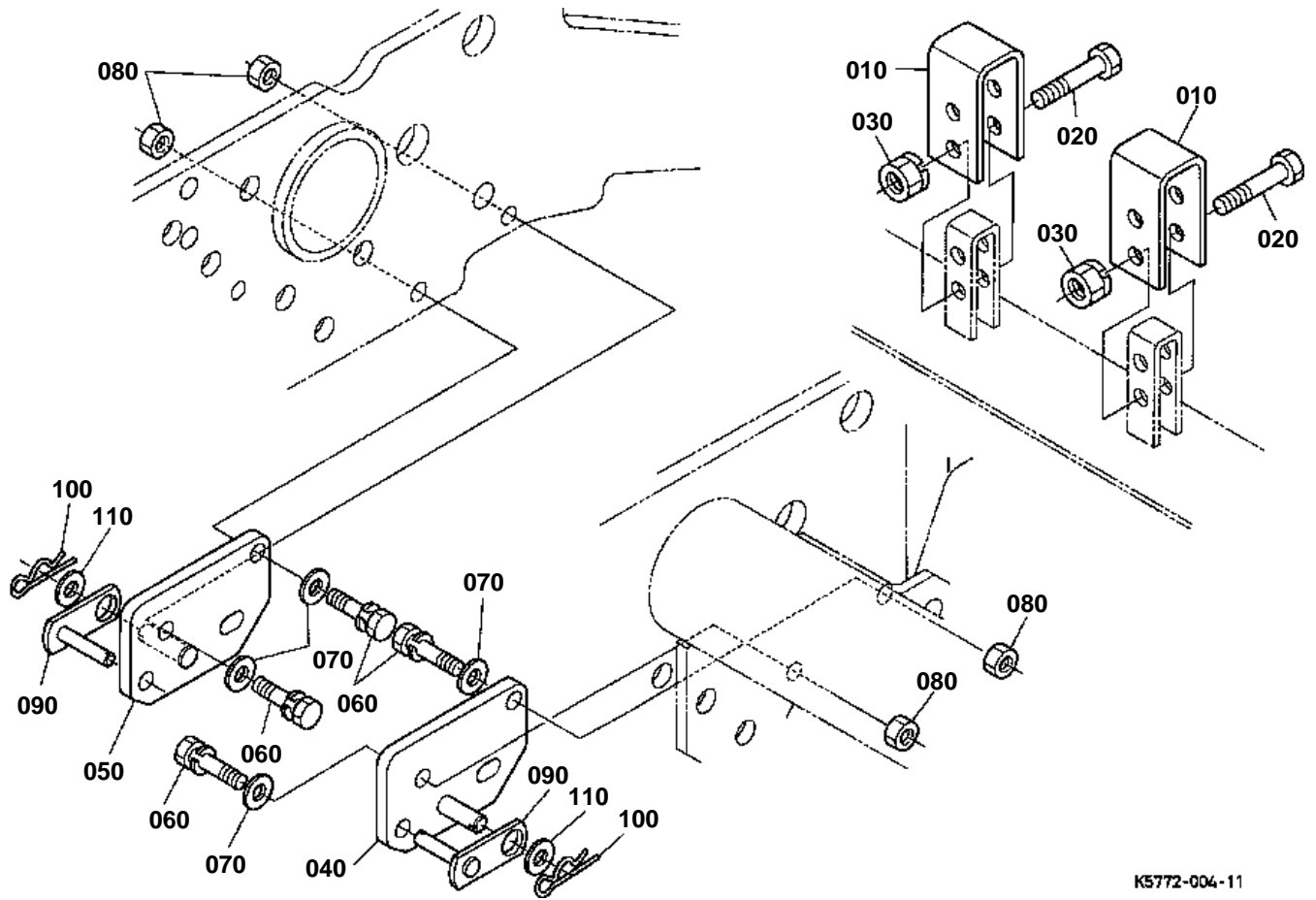


LIFT ARM

↔ Interchangeable; ≠ not interchangeable; ← new for old; → old for new

REF.No	Part No.	Description	Q'ty	S.No.	I/C	REMARKS	Weight (kgf)	Weight (lb)
010	K5771-61130	ROD LIFT L	2				0.55	1.21
020	K5763-61150	ROD LIFT S	2				0.2	0.44
030	75599-51525	PIN CLEVIS	4			(1/2*1-1/4)	0.2	0.44
040	99999-99999	BLANK	0				0	0
050	75599-32015	WASHER PLAIN	4			(1/2)	0.01	0.022
060	75599-53174	PIN COTTER	4			(1/8*1-1/4)	0.003	0.0066
070	K5763-28980	TURNBUCKLE	2				0.12	0.264
080	02074-50120	NUT	2				0.015	0.033
090	K5763-61160	ARM LIFT 1 LH	1				1.7	3.74
100	K5772-61170	ARM LIFT 1 RH	1				0	0

STOPPER



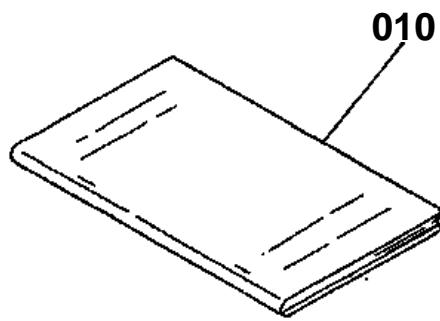
K5772-004-11



STOPPER

↔ Interchangeable; ≠ not interchangeable; ← new for old; → old for new

REF.No	Part No.	Description	Q'ty	S.No.	I/C	REMARKS	Weight (kgf)	Weight (lb)
010	K5771-72100	PLATE STOPPER	2				0.32	0.704
020	01073-51260	BOLT	4				0.07	0.154
030	02572-50120	NUT LOCK	4				0.014	0.0308
040	K5772-72200	STOPPER LOADER LH	1				0	0
050	K5772-72300	STOPPER LOADER RH	1				0	0
060	01133-51240	BOLT	4				0.05	0.11
070	04013-60120	WASHER PLAIN	4				0.01	0.022
080	02174-50120	NUT	4				0.01	0.022
090	K5772-72400	PIN STOPPER LOADER	2				0	0
100	05516-51200	PIN SNAP	2				0.004	0.0088
110	04013-60120	WASHER PLAIN	2				0.01	0.022



1G606-002-10



ACCESSORIES AND SERVICE PARTS

↔ Interchangeable; ≠ not interchangeable; ← new for old; → old for new

REF.No	Part No.	Description	Q'ty	S.No.	I/C	REMARKS	Weight (kgf)	Weight (lb)
010	K5772-71110	OPERATOR'S MANUAL	1				0	0