

Instructions for Parts Books

The heading at the top of the page will be the same for the picture of the parts as it is for the page with the part numbers.

Definition of column headings on part number pages:

REF.No → The number referring to the part on the picture page of the parts book.

Part No. → The number assigned to this part at the time of printing the parts book.

Description → Description of part.

Q'ty → Quantity of part used on that page.

S.No. → Serial number range of the equipment that this part will fit.

>= Your serial number should be greater than or equal to the number shown.

<= Your serial number should be lesser than or equal to the serial number shown.

I/C → Interchangeability of part shown.

↔ The part shown will work for the older and later serial number.

The part shown is not interchangeable with the other serial number.

← new for old

→ old for new

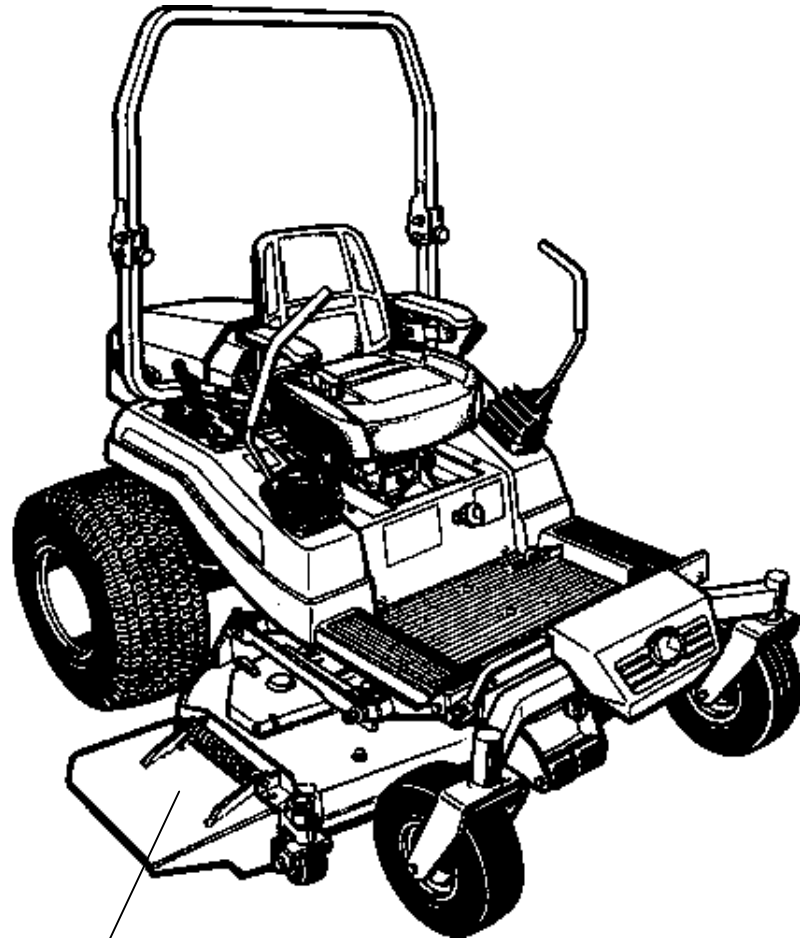
Remarks → Notes about this particular part. Sometimes this may say except [FR] or [CA]

Note about Country Codes:

The parts books we use in the United States of America may also contain information about a part that would be different in another country. It is important that you are aware of the country codes in some instances.

Symbol	Country
A	United States of America
CA	Canada
FR	France
GR	Greece
PO	Portugal
AU	Australia

If the remarks column says for example EXCEPT [FR] this part works in all countries except France. That means it will work here in the USA.



MOWER

Item	Part No.	Description	Book
MOWER	01A00102	UNIVERSAL JOINT	100A0202
	01A004	BEVEL GEAR CASE	100A0202
	01A005	INPUT SHAFT/CENTER PULLEY	100A0202
	01A007	PULLEY HOLDER	100A0202
	01A010	SIDE PULLEY/BLADE	100A0202
	01A01302	TENSION PULLEY	100A0202
	01A10002	MOWER DECK	100A0202
	01A10302	FRONT GAUGE WHEEL	100A0202
	01A10602	REAR WHEEL	100A0202
	01A10902	DISCHARGE COVER	100A0202

UNIVERSAL JOINT

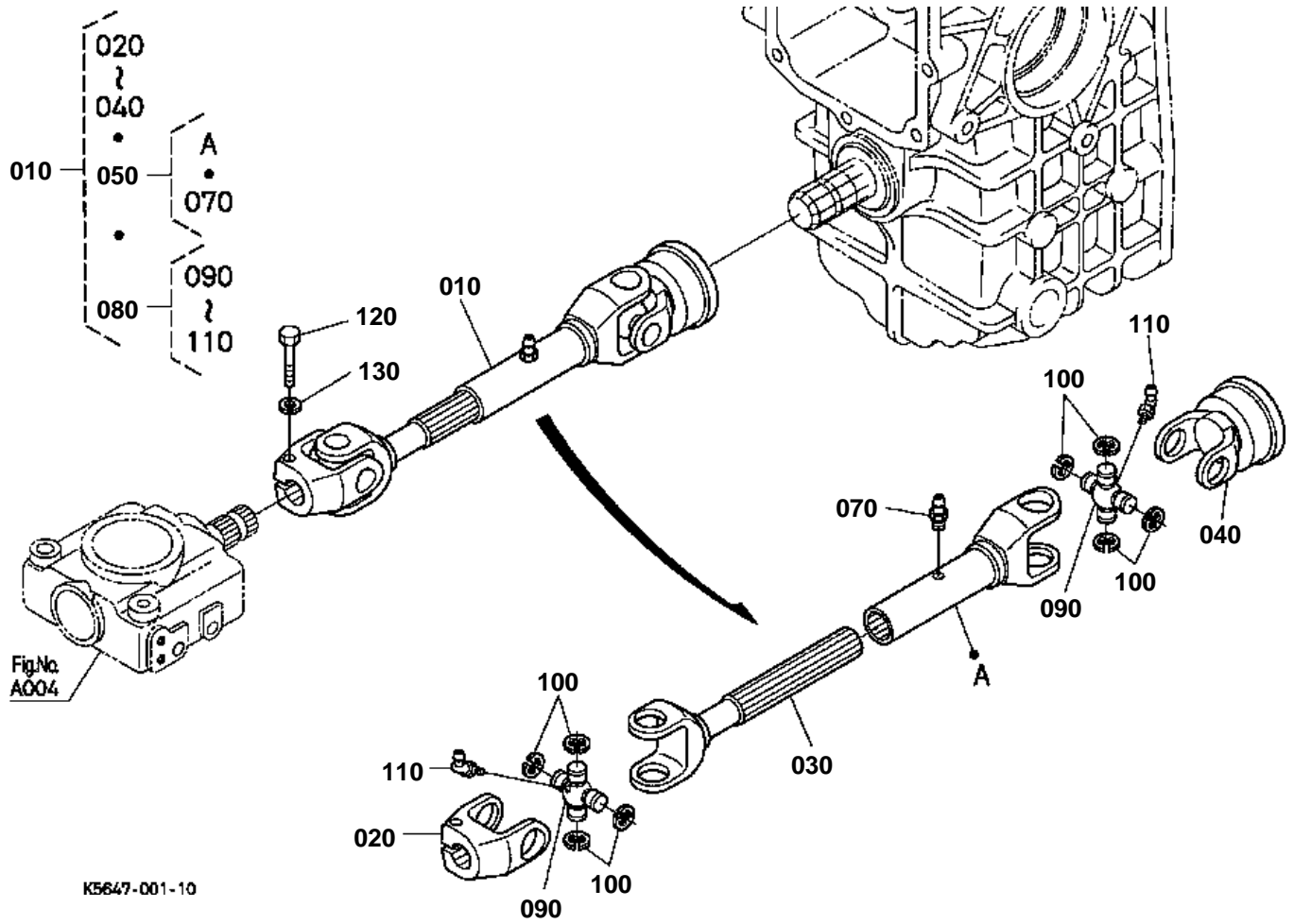


Fig.No.
A004

K5647-001-10

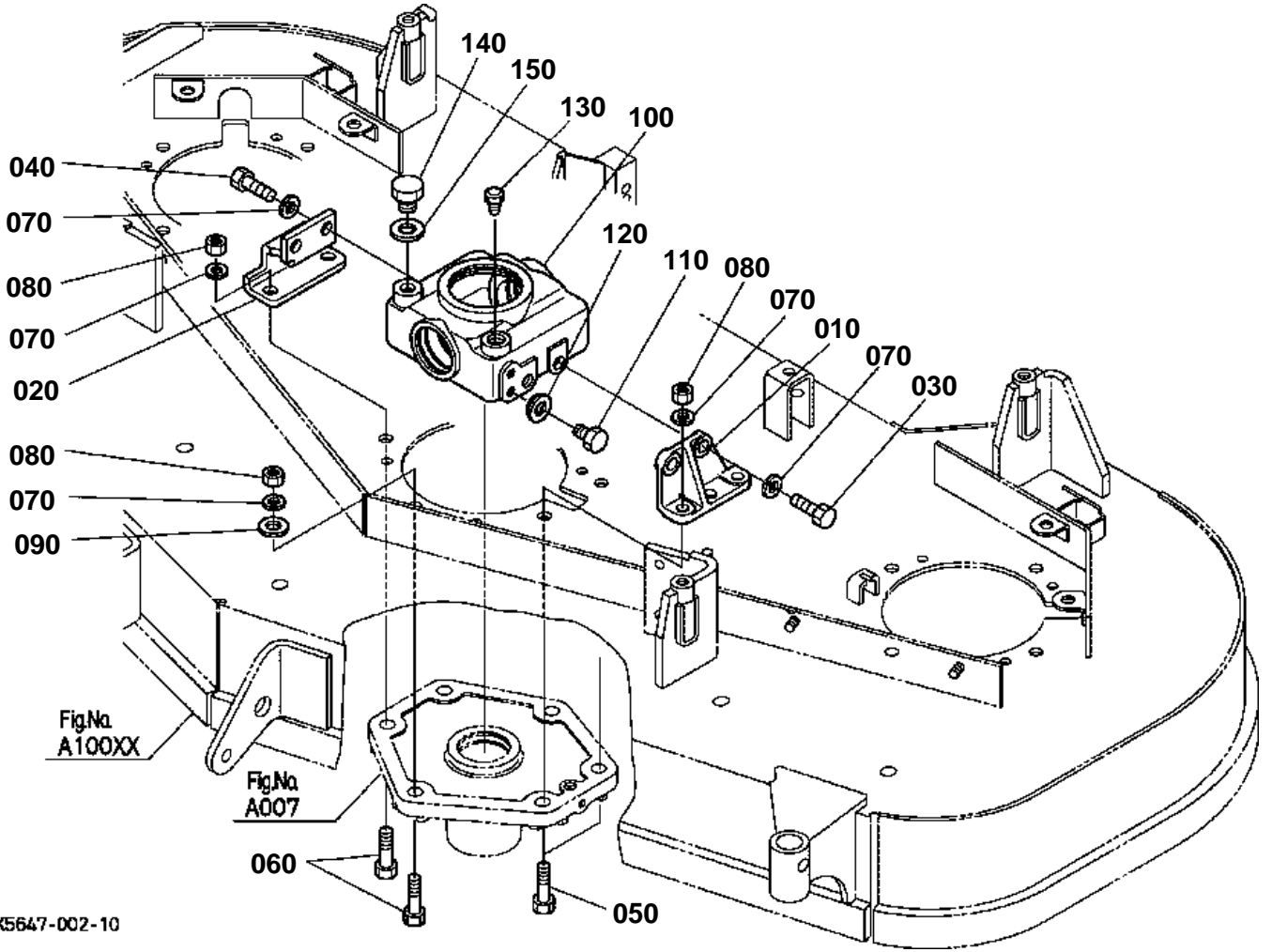


UNIVERSAL JOINT

↔ Interchangeable; ≠ not interchangeable; ← new for old; → old for new

REF.No	Part No.	Description	Q'ty	S.No.	I/C	REMARKS	Weight (kgf)	Weight (lb)
010	K5646-32030	ASSY JOINT UNIVERSAL	1				3.27	7.194
020	K5646-31130	YOKE PTO	1				0.4	0.88
030	K5646-31140	YOKE SHAFT	1				1.01	2.222
040	K5646-31150	YOKE QUICK	1				0.55	1.21
050	K5646-31170	ASSY YOKE SLEEVE	1				0.7	1.54
060	99999-99999	BLANK	0				0	0
070	06613-10675	NIPPLE GREASE	1				0.003	0.0066
080	K5646-31180	ASSY JOINT CROSS	2				0.25	0.55
090	K5646-31220	JOINT CROSS	2				0.235	0.517
100	K5646-32120	RING SNAP	8				0.001	0.0022
110	70720-31212	NIPPLE GREASE	2				0.006	0.0132
120	01053-51040	BOLT	1				0.035	0.077
130	04512-60100	WASHER SPRING	1				0.002	0.0044

BEVEL GEAR CASE



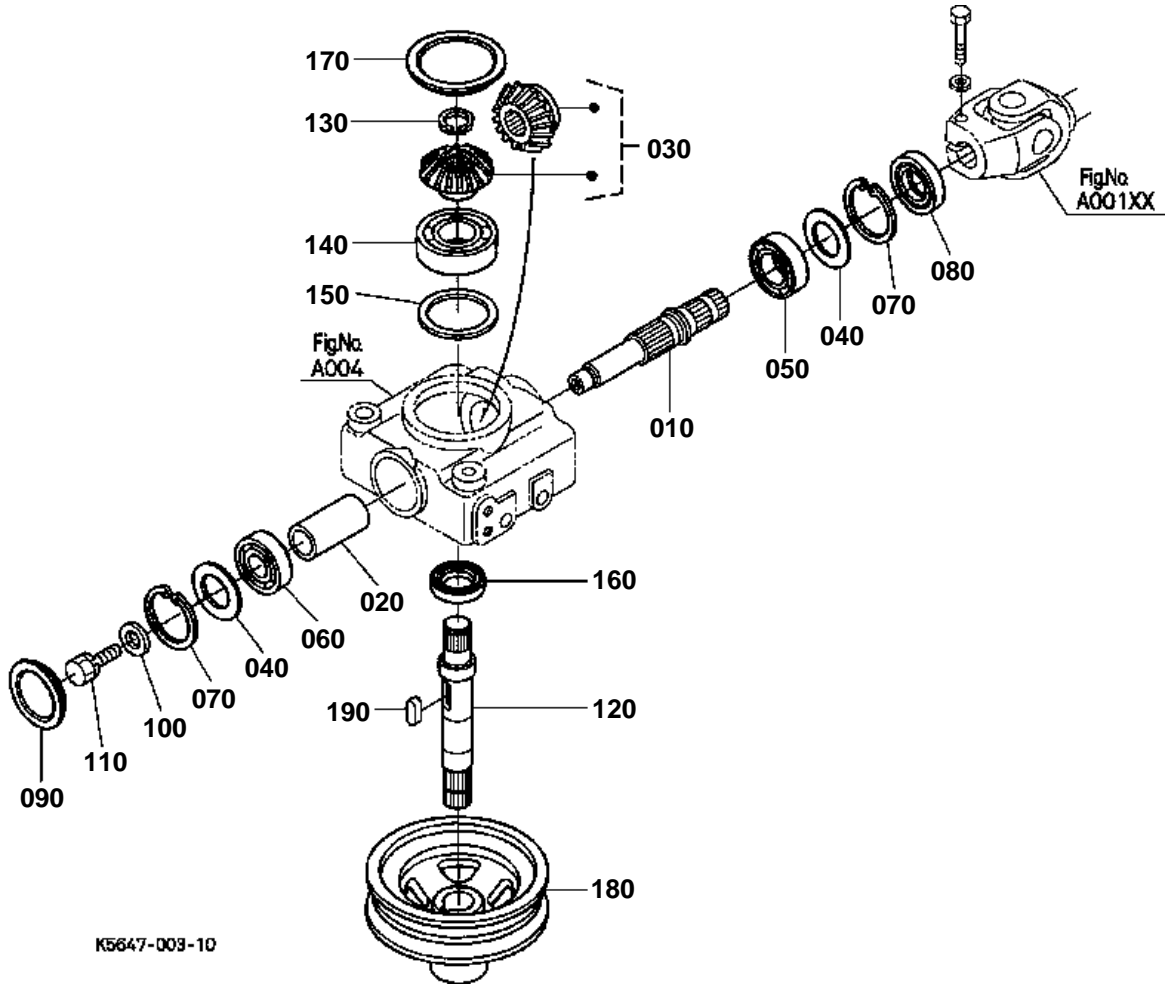
K5647-002-10

**BEVEL GEAR CASE**

↔ Interchangeable; ≠ not interchangeable; ← new for old; → old for new

REF.No	Part No.	Description	Q'ty	S.No.	I/C	REMARKS	Weight (kgf)	Weight (lb)
010	K5647-33130	STAY CASE LH	1				0.43	0.946
020	K5647-33150	STAY CASE RH	1				0.46	1.012
030	K5763-33210	BOLT REAMER	2				0.04	0.088
040	01073-51225	BOLT	2				0.035	0.077
050	K5647-33230	BOLT REAMER	2				0.05	0.11
060	01073-51240	BOLT	4				0.049	0.1078
070	04512-60120	WASHER SPRING	10				0.005	0.011
080	02074-50120	NUT	6				0.015	0.033
090	04015-60120	WASHER PLAIN	2				0.022	0.0484
100	K5761-33115	CASE BEVEL GEAR	1				3.82	8.404
110	01153-50812	BOLT	2				0.008	0.0176
120	04717-00800	WASHER WITH RUBBER	2				0.001	0.0022
130	K5761-33250	PLUG BREATHER	1				0.006	0.0132
140	06331-35016	PLUG	1				0.04	0.088
150	04711-00300	GASKET	1				0.001	0.0022

INPUT SHAFT/CENTER PULLEY



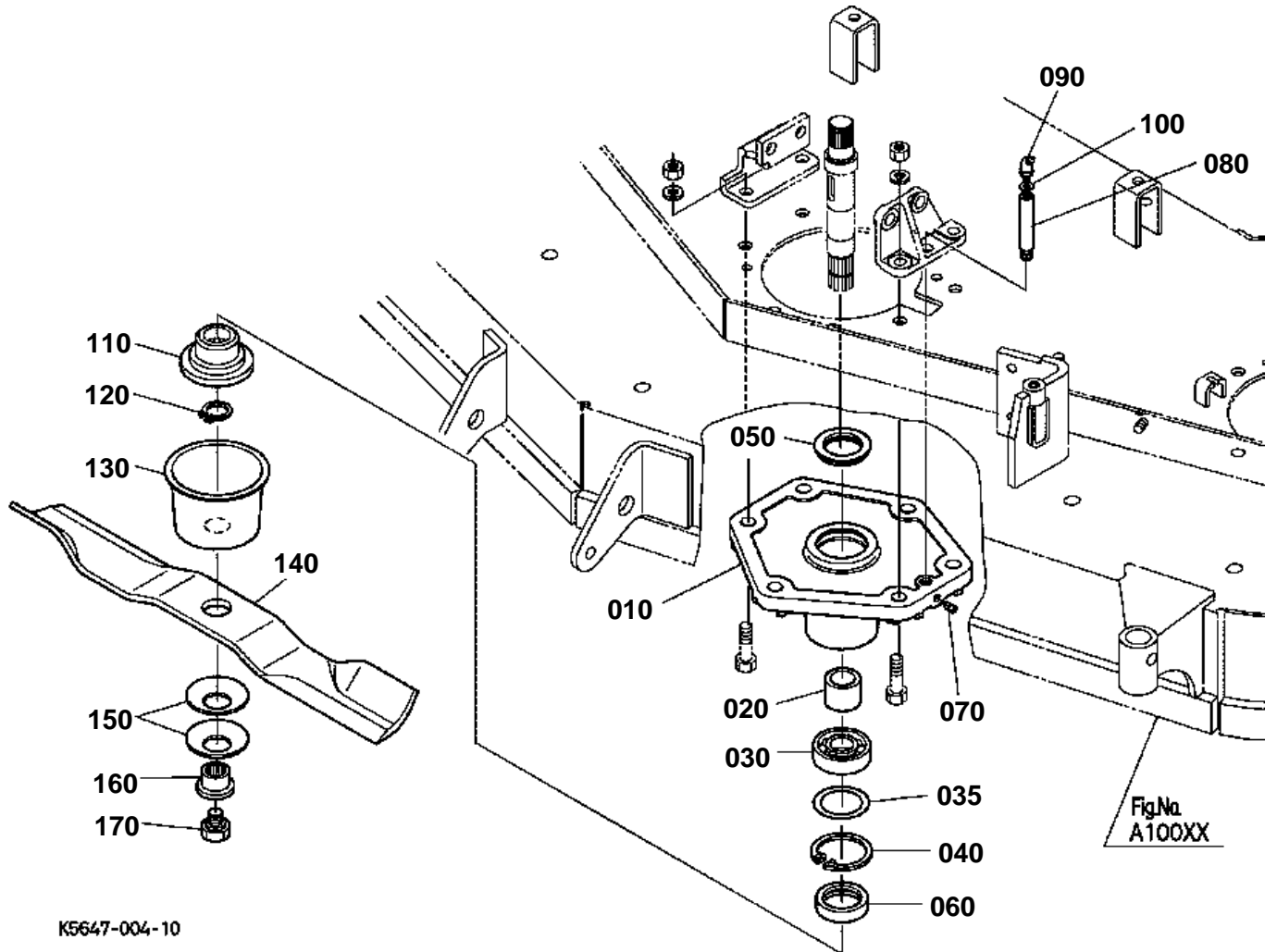


INPUT SHAFT/CENTER PULLEY

↔ Interchangeable; ≠ not interchangeable; ← new for old; → old for new

REF.No	Part No.	Description	Q'ty	S.No.	I/C	REMARKS	Weight (kgf)	Weight (lb)
010	K5645-33312	SHAFT PINION	1				0.54	1.188
020	K5671-33342	COLLAR	1				0.112	0.2464
030	K5763-33320	KIT GEAR BEVEL	1				0.45	0.99
040	36330-28420	SHIM	2			0.2mm	0.002	0.0044
040	36330-28410	SHIM	2			0.3mm	0.002	0.0044
050	08101-06205	BEARING BALL	1				0.14	0.308
060	08101-06304	BEARING BALL	1				0.146	0.3212
070	04611-00520	CIR CLIP INTERNAL	2				0.009	0.0198
080	76535-33440	SEAL OIL	1				0.02	0.044
090	63313-32270	CAP	1				0.03	0.066
100	04015-50100	WASHER PLAIN	1				0.016	0.0352
110	01133-51025	BOLT	1				0.023	0.0506
120	K5647-33500	SHAFT BEVEL GEAR	1				0.65	1.43
130	04612-00220	CIR CLIP EXTERNAL	1				0.001	0.0022
140	70712-33550	BEARING BALL	1				0.22	0.484
150	70712-33570	SHIM	1			0.1mm	0.001	0.0022
150	76539-33410	SHIM	1			0.2mm	0.001	0.0022
160	K5761-33540	SEAL OIL	1				0.012	0.0264
170	7C765-51260	CAP	1				0.07	0.154
180	K5371-33520	PULLEY CENTER	1				1.78	3.916
190	05712-00728	KEY FEATHER	1				0.01	0.022

PULLEY HOLDER



K5647-004-10

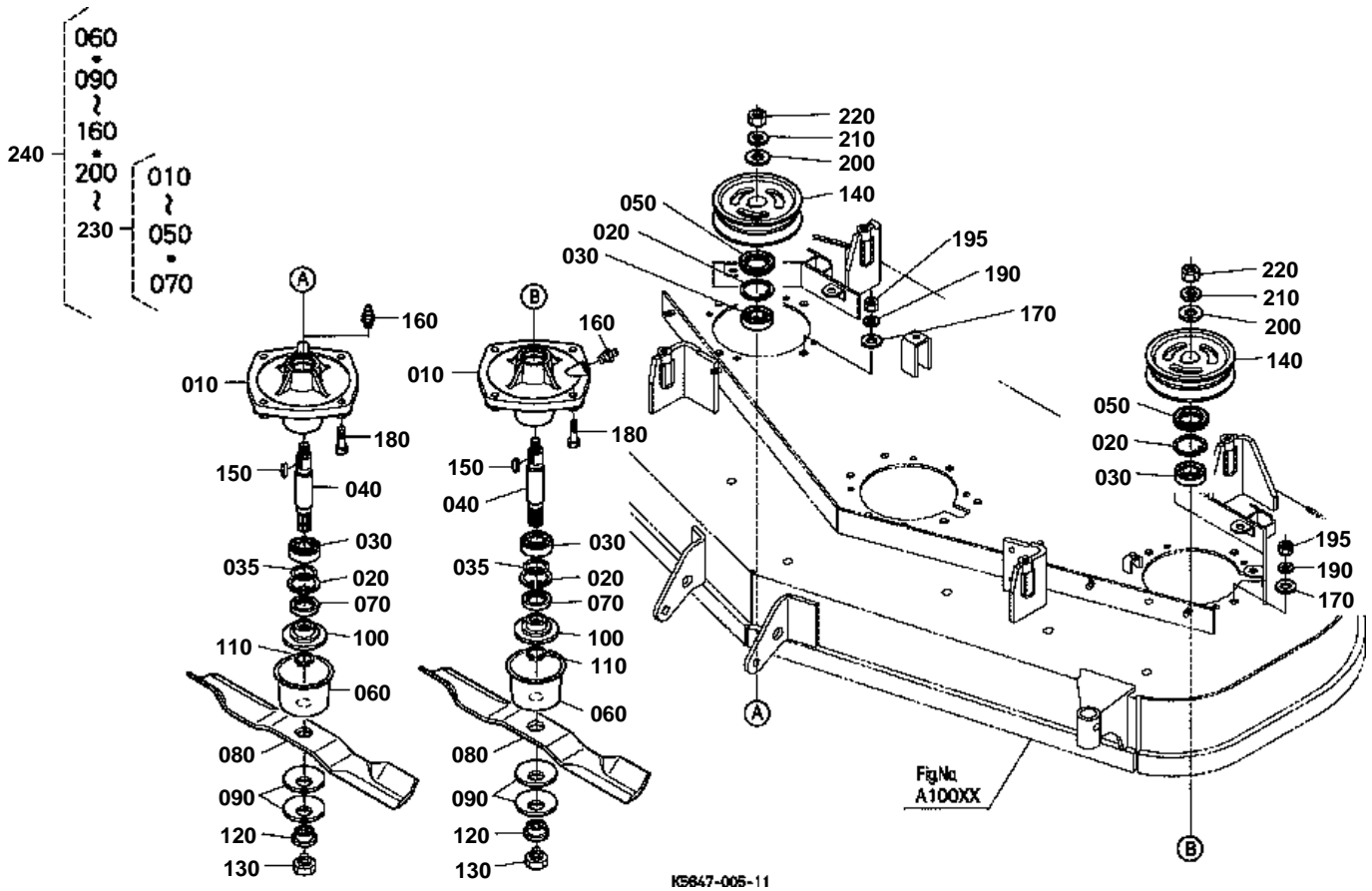


PULLEY HOLDER

↔ Interchangeable; ≠ not interchangeable; ← new for old; → old for new

REF.No	Part No.	Description	Q'ty	S.No.	I/C	REMARKS	Weight (kgf)	Weight (lb)
010	K5647-34113	HOLDER CENTER PULLEY	1				2.38	5.236
020	K5647-33520	COLLAR CENTER	1				0.09	0.198
030	08101-06205	BEARING BALL	1				0.14	0.308
035	K5647-27410	SHIM	1				0.001	0.0022
040	04611-00520	CIR CLIP INTERNAL	1				0.009	0.0198
050	70722-34120	OIL SEAL UPPER	1				0.025	0.055
060	70725-34162	OIL SEAL LOWER	1				0.024	0.0528
070	03410-50608	SCREW SET	1				0.001	0.0022
080	K5763-34130	PIPE EXTENSION	1				0.28	0.616
090	K5763-44250	NIPPLE GREASE	1				0.01	0.022
100	K5763-27340	SHIM ADJUST	1				0.001	0.0022
110	K5761-34152	BOSS SPLINE	1				0.28	0.616
120	04612-00220	CIR CLIP EXTERNAL	1				0.001	0.0022
130	K5647-34310	COVER DUST	1				0.17	0.374
140	K5677-34330	BLADE	1				0.3	0.66
150	K5651-34350	SPRING PLATE	2				0.07	0.154
160	K5651-34390	BOSS SPLINE	1				0	0
160	76539-34392	BOSS SPLINE	1		←		0.06	0.132
170	K5651-34370	BOLT	1				0.08	0.176

SIDE PULLEY/BLADE

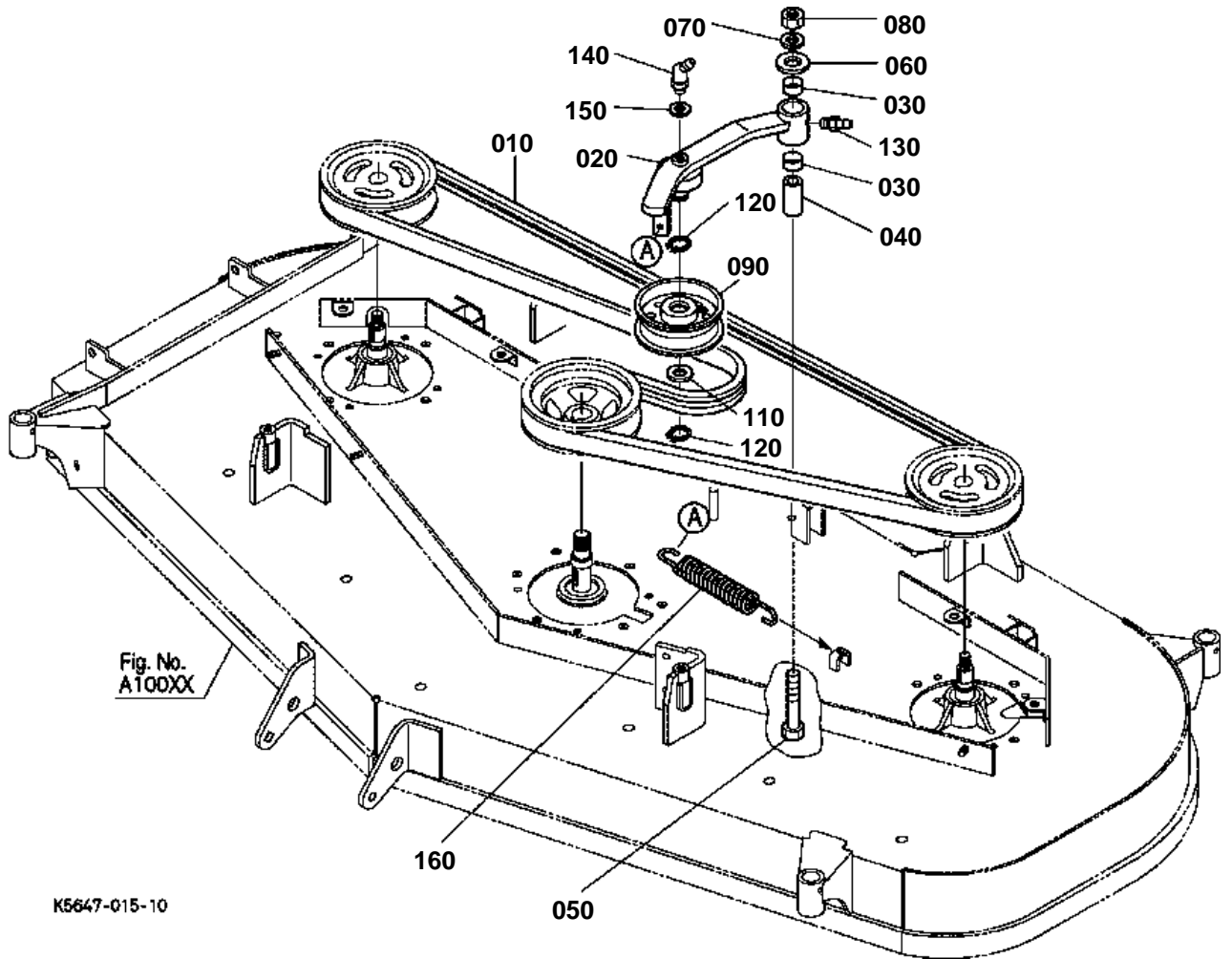


**SIDE PULLEY/BLADE**

↔ Interchangeable; ≠ not interchangeable; ← new for old; → old for new

REF.No	Part No.	Description	Q'ty	S.No.	I/C	REMARKS	Weight (kgf)	Weight (lb)
010	K5647-34510	HOLDER PULLEY SIDE	2				2.46	5.412
020	04611-00520	CIR CLIP INTERNAL	4				0.009	0.0198
030	08101-06205	BEARING BALL	4				0.14	0.308
035	K5647-27410	SHIM	2			0.5mm	0.001	0.0022
040	K5647-34550	SHAFT BLADE	2				0.71	1.562
050	70722-34120	OIL SEAL UPPER	2				0.025	0.055
060	K5647-34310	COVER DUST	2				0.17	0.374
070	70725-34162	OIL SEAL LOWER	2				0.024	0.0528
080	K5677-34330	BLADE	2				0.3	0.66
090	K5651-34350	SPRING PLATE	4				0.07	0.154
100	K5761-34152	BOSS SPLINE	2				0.28	0.616
110	04612-00220	CIR CLIP EXTERNAL	2				0.001	0.0022
120	K5651-34390	BOSS SPLINE	2				0	0
120	76539-34392	BOSS SPLINE	2		←		0.06	0.132
130	K5651-34370	BOLT	2				0.08	0.176
140	K5651-33580	PULLY SIDE	2				1.6	3.52
150	05712-00722	KEY FEATHER	2				0.009	0.0198
160	K1122-15150	NIPPLE GREASE	2				0.002	0.0044
170	04015-60120	WASHER PLAIN	8				0.022	0.0484
180	01073-51235	BOLT	8				0.045	0.099
190	04512-60120	WASHER SPRING	8				0.005	0.011
195	02074-50120	NUT	8				0.015	0.033
200	K5651-34560	WASHER PLAIN	2				0.024	0.0528
210	75599-33017	WASHER SPRING LOCK	2				0.005	0.011
220	02074-50160	NUT	2				0.029	0.0638
230	K5647-97600	KIT A SPINDLE ASSY	1				0	0
240	K5647-97700	KIT B SPINDLE ASSY	1				0	0

TENSION PULLEY



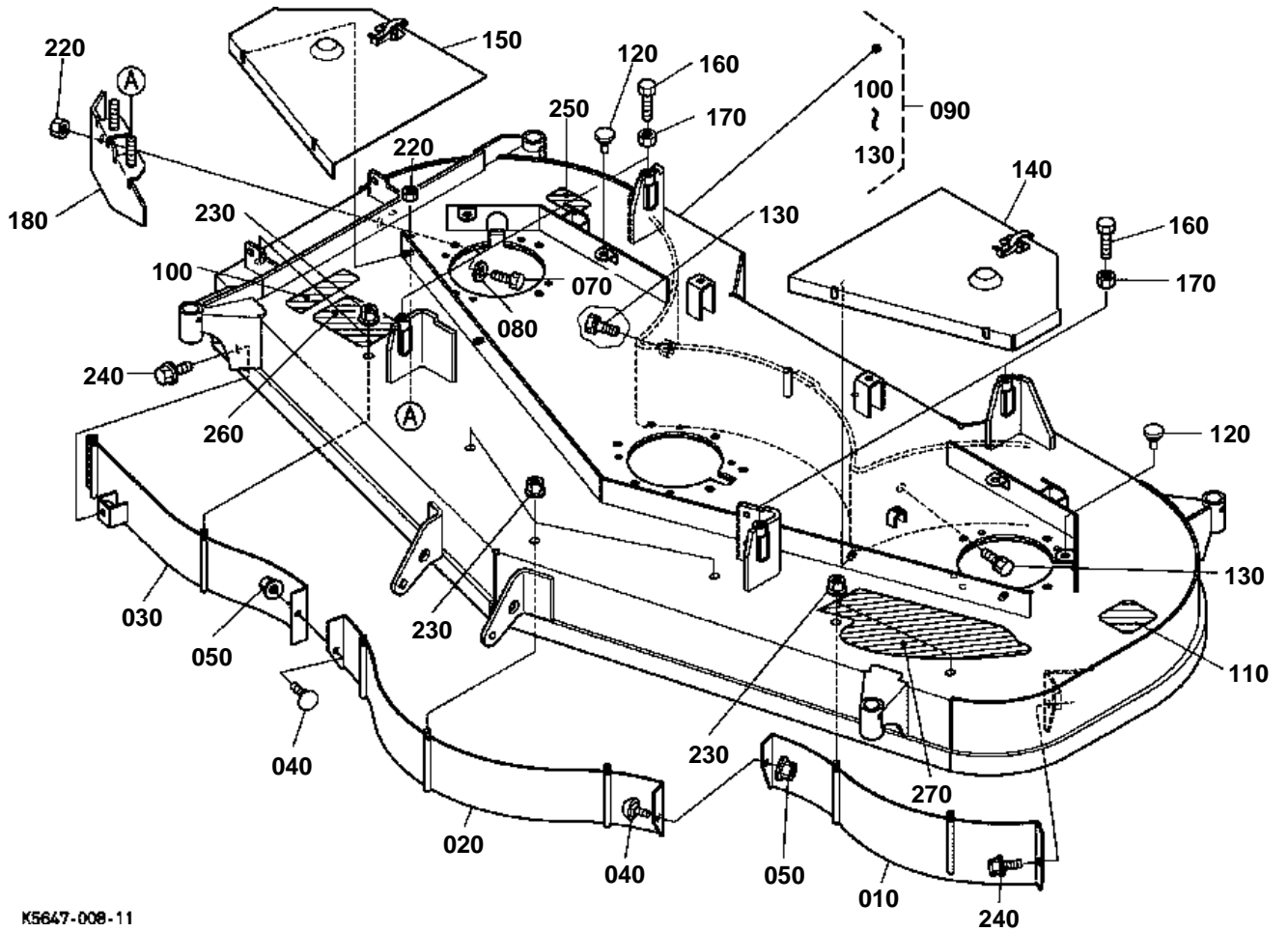


TENSION PULLEY

↔ Interchangeable; ≠ not interchangeable; ← new for old; → old for new

REF.No	Part No.	Description	Q'ty	S.No.	I/C	REMARKS	Weight (kgf)	Weight (lb)
010	K5677-34710	BELT	1				1	2.2
020	K5677-34730	ARM TENSION	1				0.8	1.76
030	K5651-20150	BUSHING TENSION	2				0.017	0.0374
040	K5651-34780	COLLAR TENSION	1				0.055	0.121
050	01073-51270	BOLT	1				0.06	0.132
060	75599-32015	WASHER PLAIN	1				0.01	0.022
070	04512-60120	WASHER SPRING	1				0.005	0.011
080	02074-50120	NUT	1				0.015	0.033
090	K5651-34880	PULLEY TENSION	1				0.55	1.21
100	99999-99999	BLANK	0				0	0
110	K5651-34800	SEAL BEARING	1				0.001	0.0022
120	04612-00170	CIR CLIP EXTERNAL	2				0.001	0.0022
130	K1122-15150	NIPPLE GREASE	1				0.002	0.0044
140	K5763-12100	NIPPLE GREASE	1				0.007	0.0154
150	K5763-27350	SHIM ADJUST	1				0.001	0.0022
160	K5763-34750	SPRING TENSION	1				0.17	0.374

MOWER DECK



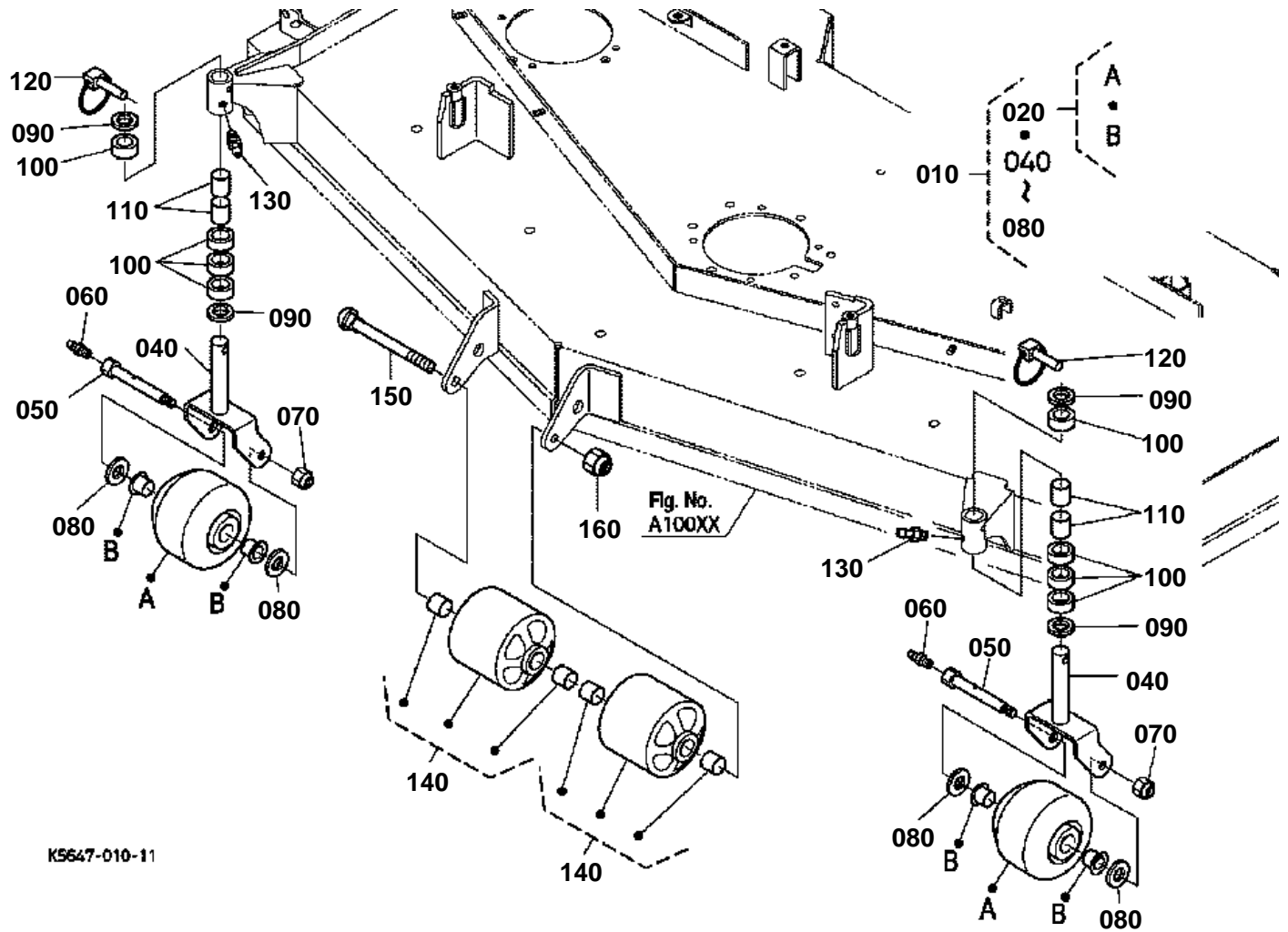
K5647-008-11

**MOWER DECK**

↔ Interchangeable; ≠ not interchangeable; ← new for old; → old for new

REF.No	Part No.	Description	Q'ty	S.No.	I/C	REMARKS	Weight (kgf)	Weight (lb)
010	K5677-43210	PLATE FRONT LH	1				1.86	4.092
020	K5677-43220	PLATE FRONT C	1				2.6	5.72
030	K5677-43230	PLATE FRONT RH	1				1.89	4.158
040	K1122-91320	BOLT SHORT SQU.NECK	2				0.01	0.022
050	02121-50080	NUT	2				0.01	0.022
060	99999-99999	BLANK	0				0	0
070	01053-50820	BOLT	1				0.012	0.0264
080	04013-60080	WASHER PLAIN	1				0.002	0.0044
090	K5677-41100	ASSY MOWER DECK	1	≤11357			190	418
090	K5677-41102	ASSY MOWER DECK	1	≥11358	←		190	418
100	K5112-73110	LABEL DANGER	1				0.002	0.0044
110	K5112-73120	LABEL DANGER	1				0.001	0.0022
120	K5647-41510	CUSHION	4				0.007	0.0154
130	01123-50818	BOLT	2				0.012	0.0264
140	K5677-41180	COVER LEFT	1	≤10011			0	0
140	K5677-41182	COVER LEFT	1	≥10012	←		1.98	4.356
150	K5677-41200	COVER RIGHT	1	≤10011			0	0
150	K5677-41202	COVER RIGHT	1	≥10012	←		1.9	4.18
150	K5677-41204	COVER RIGHT	1	≥11358	←		1.9	4.18
160	K5645-41910	BOLT ADJUSTER	4				0.05	0.11
170	02074-50120	NUT	4				0.015	0.033
180	K5677-41410	BAFFLE DISCHARGE	1				0.7	1.54
190	99999-99999	BLANK	0				0	0
200	99999-99999	BLANK	0				0	0
210	99999-99999	BLANK	0				0	0
220	02121-50080	NUT	3				0.01	0.022
230	02131-50100	NUT	7				0.01	0.022
240	01774-61020	BOLT FLANGE	2				0.022	0.0484
250	99999-99999	PLATE NAME	1				0	0
260	K5645-73130	LABEL ANTI-SCALP	1				0.007	0.0154
270	K5677-73150	LABEL PRO	1				0.029	0.0638

FRONT GAUGE WHEEL



K5547-010-11

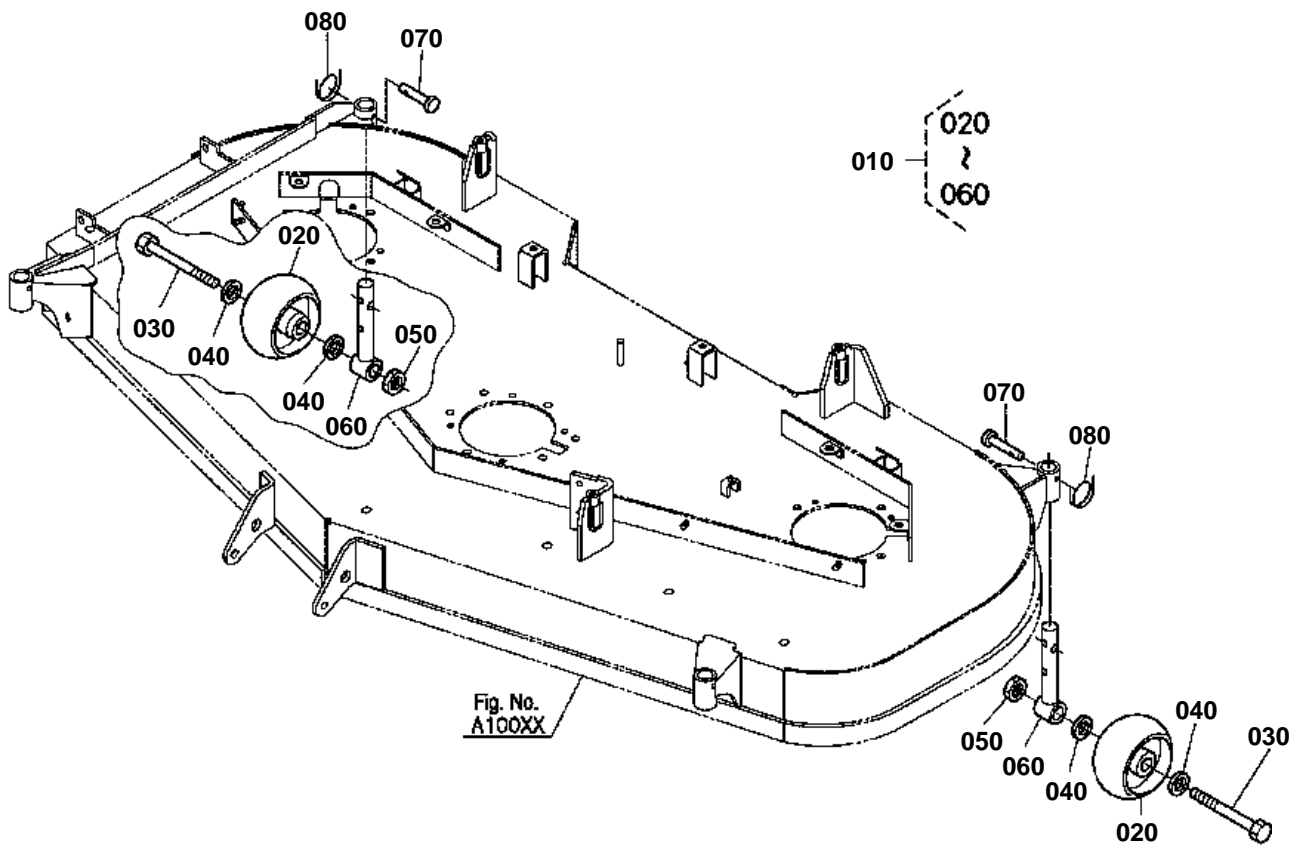


FRONT GAUGE WHEEL

↔ Interchangeable; ≠ not interchangeable; ← new for old; → old for new

REF.No	Part No.	Description	Q'ty	S.No.	I/C	REMARKS	Weight (kgf)	Weight (lb)
010	K5647-42200	ASSY GAUGE WHEEL F	2				1.914	4.2108
020	K5647-42100	ROLLER ASSY ANTI-SCA	2				0.62	1.364
030	99999-99999	BLANK	0				0	0
040	K5647-43112	SHAFT	2				1.058	2.3276
050	K5647-42120	SHAFT	2				0.2	0.44
060	K1122-15150	NIPPLE GREASE	2				0.002	0.0044
070	02572-50120	NUT SELF-LOCKING	2				0.014	0.0308
080	04011-60160	WASHER PLAIN	4				0.01	0.022
090	K1142-11260	WASHER PLAIN	4				0.008	0.0176
100	K5647-43150	COLLAR	8				0.065	0.143
110	08511-02525	BUSH	4				0.03	0.066
120	K2561-38490	PIN LYNCH	2				0.04	0.088
130	K1122-15150	NIPPLE GREASE	2				0.002	0.0044
140	K5763-46250	ROLLER ANTI-SCALP	2				0.32	0.704
150	K5221-72650	BOLT GAUGE	1				0.25	0.55
160	02572-50120	NUT LOCK	1				0.014	0.0308

REAR WHEEL



K5647-012-10

**REAR WHEEL**

↔ Interchangeable; ≠ not interchangeable; ← new for old; → old for new

REF.No	Part No.	Description	Q'ty	S.No.	I/C	REMARKS	Weight (kgf)	Weight (lb)
010	K5645-42200	ASSY GAUGE WHEEL	2				1.32	2.904
020	K5371-42110	GAUGE WHEEL	2				0.46	1.012
030	01073-51602	BOLT	2				0.21	0.462
040	04013-60160	WASHER PLAIN	4				0.01	0.022
050	02072-50160	NUT	2				0.022	0.0484
060	K5645-72680	PIN GAUGE WHEEL	2				0.62	1.364
070	75599-51235	PIN CLEVIS	2				0.03	0.066
080	K5112-72730	RING SNAP	2				0.01	0.022

DISCHARGE COVER

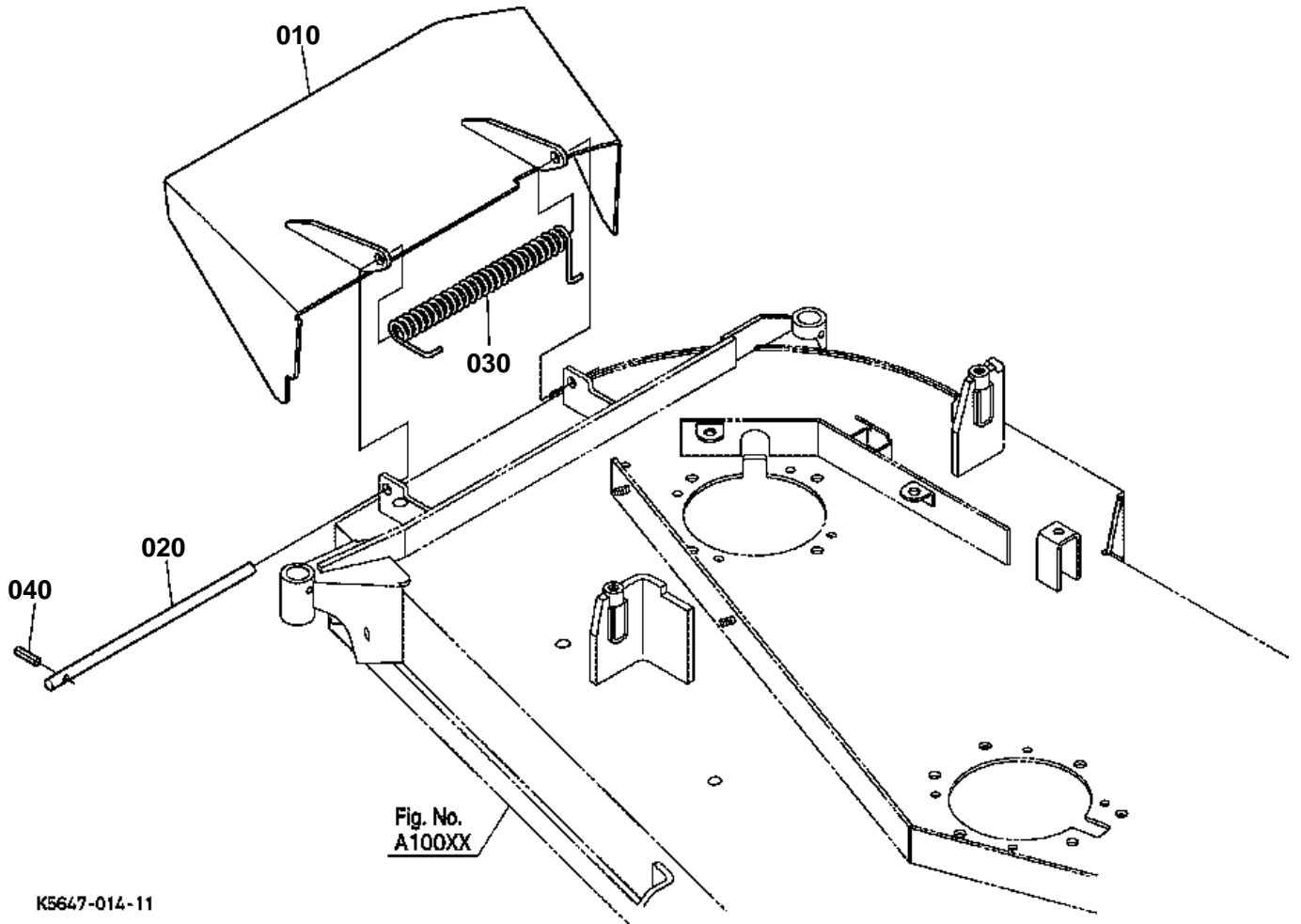


Fig. No.
A100XX

K5647-014-11



DISCHARGE COVER

↔ Interchangeable; ≠ not interchangeable; ← new for old; → old for new

REF.No	Part No.	Description	Q'ty	S.No.	I/C	REMARKS	Weight (kgf)	Weight (lb)
010	K5677-47110	COVER DISCHARGE	1				5.7	12.54
020	K5647-47150	PIN DISCHARGE	1				0.031	0.0682
030	K5647-47160	SPRING DISCHARGE	1				0.33	0.726
040	75599-52525	PIN SPRING	1				0.004	0.0088