

# Instructions for Parts Books

The heading at the top of the page will be the same for the picture of the parts as it is for the page with the part numbers.

Definition of column headings on part number pages:

**REF.No** → The number referring to the part on the picture page of the parts book.

**Part No.** → The number assigned to this part at the time of printing the parts book.

**Description** → Description of part.

**Q'ty** → Quantity of part used on that page.

**S.No.** → Serial number range of the equipment that this part will fit.

>= Your serial number should be greater than or equal to the number shown.

<= Your serial number should be lesser than or equal to the serial number shown.

**I/C** → Interchangeability of part shown.

↔ The part shown will work for the older and later serial number.

# The part shown is not interchangeable with the other serial number.

← new for old

→ old for new

**Remarks** → Notes about this particular part. Sometimes this may say except [FR] or [CA]

## Note about Country Codes:

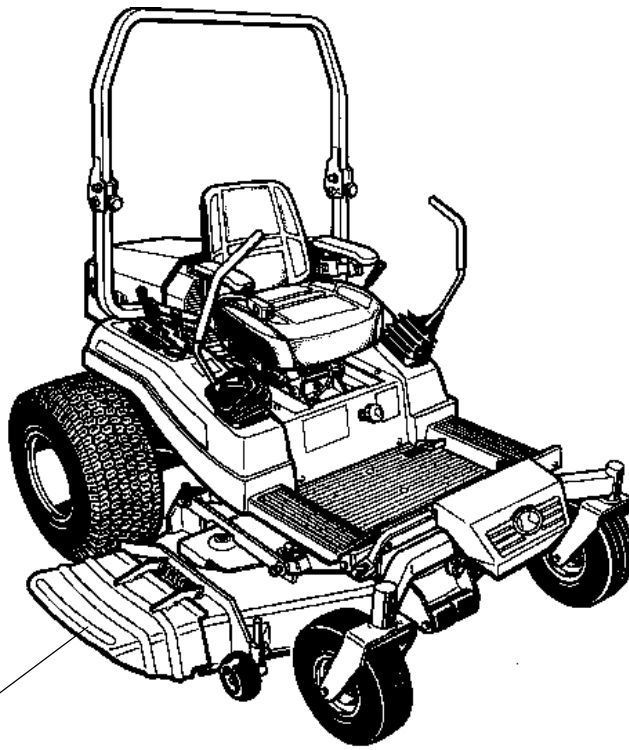
The parts books we use in the United States of America may also contain information about a part that would be different in another country. It is important that you are aware of the country codes in some instances.

Symbol	Country
A	United States of America
CA	Canada
FR	France
GR	Greece
PO	Portugal
AU	Australia

If the remarks column says for example EXCEPT [FR] this part works in all countries except France. That means it will work here in the USA.

ALL PRODUCT INDEX  
RCK72-28Z

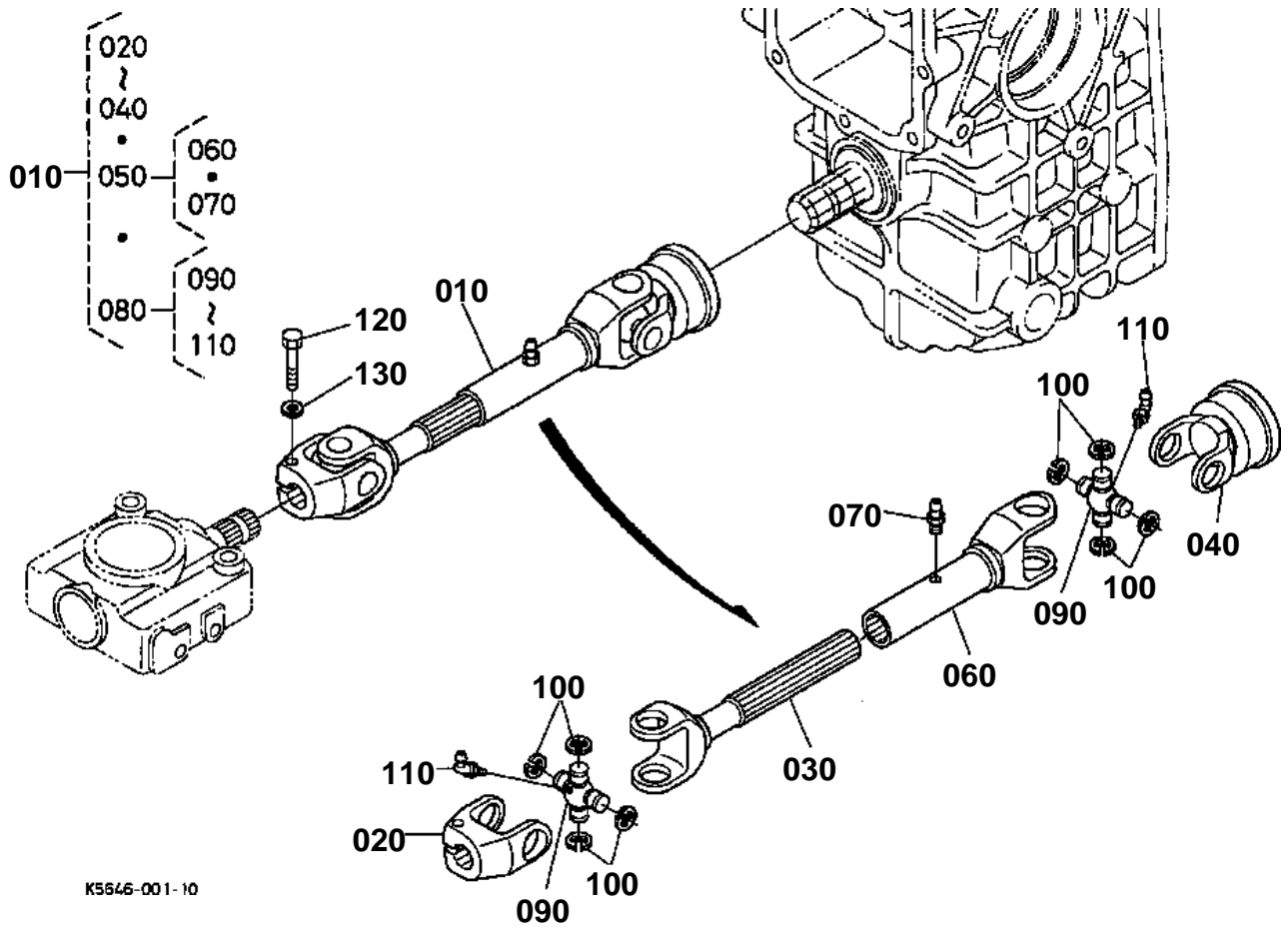
---



MOWER

Item	Part No.	Description	Book
MOWER	03T001	UNIVERSAL JOINT	100A0175
	03T00402	BEVEL GEAR CASE	100A0175
	03T00502	INPUT SHAFT/CENTER PULLEY	100A0175
	03T00702	PULLEY HOLDER/BLADE	100A0175
	03T01002	SIDE PULLEY/BLADE	100A0175
	03T01302	TENSION PULLEY	100A0175
	03T10002	MOWER DECK	100A0175
	03T104	FRONT & REAR GAUGE WHEEL	100A0175
	03T105	ANTI-SCALP ROLLER	100A0175
	03T10902	DISCHARGE COVER	100A0175

UNIVERSAL JOINT



K5546-001-10

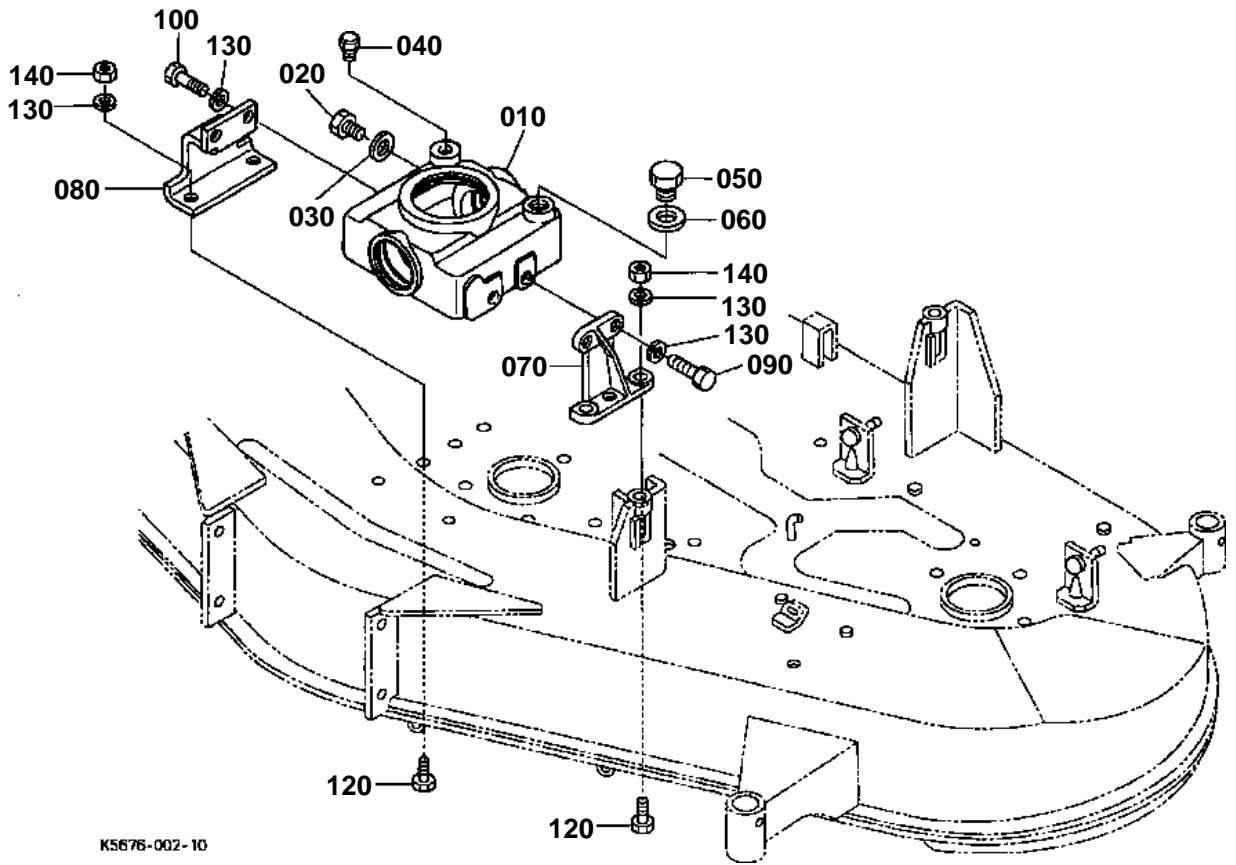


# UNIVERSAL JOINT

↔ Interchangeable; ≠ not interchangeable; ← new for old; → old for new

REF.No	Part No.	Description	Q'ty	S.No.	I/C	REMARKS	Weight (kgf)	Weight (lb)
010	K5646-32030	ASSY JOINT UNIVERSAL	1				0	0
020	K5646-31130	YOKE PTO	1				0	0
030	K5646-31140	YOKE SHAFT	1				0	0
040	K5646-31150	YOKE QUICK	1				0	0
050	K5646-31170	ASSY YOKE SLEEVE	1				0	0
060	K5646-31160	YOKE SLEEVE	1				0	0
070	06613-10675	NIPPLE GREASE	1				0.003	0.0066
080	K5646-31180	ASSY JOINT CROSS	2				0	0
090	K5646-31220	JOINT CROSS	2				0	0
100	K5646-32120	RING SNAP	8				0	0
110	70720-31212	NIPPLE GREASE	2				0.006	0.0132
120	01053-51040	BOLT	1				0.035	0.077
130	04512-60100	WASHER SPRING	1				0.002	0.0044

BEVEL GEAR CASE



K5676-002-10

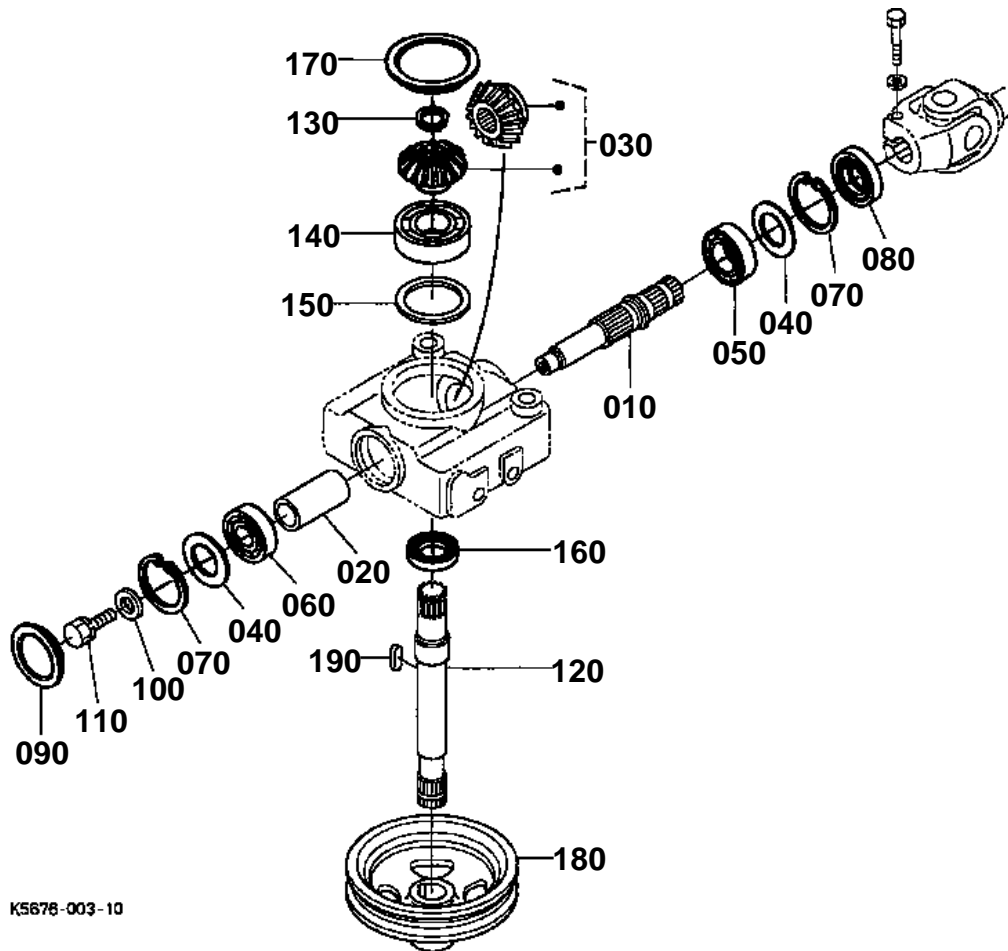


## BEVEL GEAR CASE

↔ Interchangeable; ≠ not interchangeable; ← new for old; → old for new

REF.No	Part No.	Description	Q'ty	S.No.	I/C	REMARKS	Weight (kgf)	Weight (lb)
010	K5761-33115	CASE BEVEL GEAR	1				3.82	8.404
020	01153-50812	BOLT	2				0.008	0.0176
030	04717-00800	WASHER WITH RUBBER	2				0.001	0.0022
040	K5761-33250	PLUG BREATHER	1				0.006	0.0132
050	06331-35016	PLUG	1				0.04	0.088
060	04711-00300	GASKET	1				0.001	0.0022
070	K5671-33130	STAY BEVEL CASE LH	1				0.45	0.99
080	K5671-33150	STAY BEVEL CASE RH	1				0.462	1.0164
090	K5761-33210	BOLT REAMER	2				0.038	0.0836
100	01173-51225	BOLT	2				0.033	0.0726
110	K5671-33230	BOLT REAMER	2				0.043	0.0946
120	01173-51235	BOLT	2				0.04	0.088
130	04512-60120	WASHER SPRING	8				0.005	0.011
140	02074-50120	NUT	4				0.015	0.033

INPUT SHAFT/CENTER PULLEY



K5678-003-10



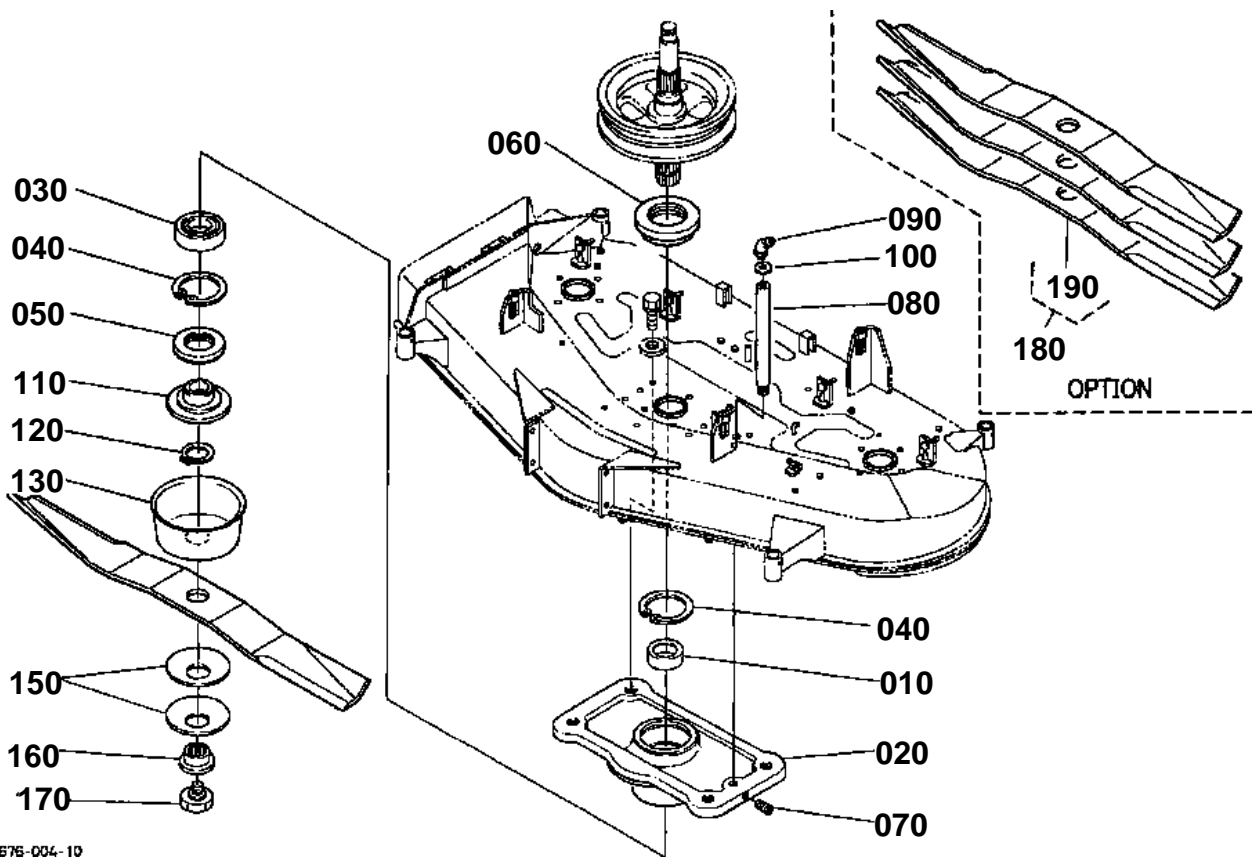


# INPUT SHAFT/CENTER PULLEY

↔ Interchangeable; ≠ not interchangeable; ← new for old; → old for new

REF.No	Part No.	Description	Q'ty	S.No.	I/C	REMARKS	Weight (kgf)	Weight (lb)
010	K5645-33312	SHAFT PINION	1				0.54	1.188
020	K5671-33342	COLLAR	1				0.105	0.231
030	K5763-33320	KIT GEAR BEVEL	1			17-18T	0.45	0.99
040	36330-28420	SHIM	2			0.2mm	0.002	0.0044
040	36330-28410	SHIM	2			0.3mm	0.002	0.0044
050	08101-06205	BEARING BALL	1				0.14	0.308
060	08101-06304	BEARING BALL	1				0.146	0.3212
070	04611-00520	CIR CLIP INTERNAL	2				0.009	0.0198
080	76535-33440	SEAL OIL	1				0.02	0.044
090	63313-32270	CAP	1				0.03	0.066
100	04015-50100	WASHER PLAIN	1				0.016	0.0352
110	01133-51025	BOLT	1				0.023	0.0506
120	K5671-33504	SHAFT BEVEL GEAR	1				0.57	1.254
130	04612-00220	CIR CLIP EXTERNAL	1				0.001	0.0022
140	70712-33550	BEARING BALL	1				0.22	0.484
150	70712-33570	SHIM	1			0.1mm	0.001	0.0022
150	76539-33410	SHIM	1			0.2mm	0.001	0.0022
160	K5761-33540	SEAL OIL	1				0.012	0.0264
170	7C765-51260	CAP	1				0.07	0.154
180	K5671-33520	PULLEY CENTER	1				1.79	3.938
190	05712-00732	KEY FEATHER	1				0.013	0.0286

PULLEY HOLDER/BLADE



K5676-004-10

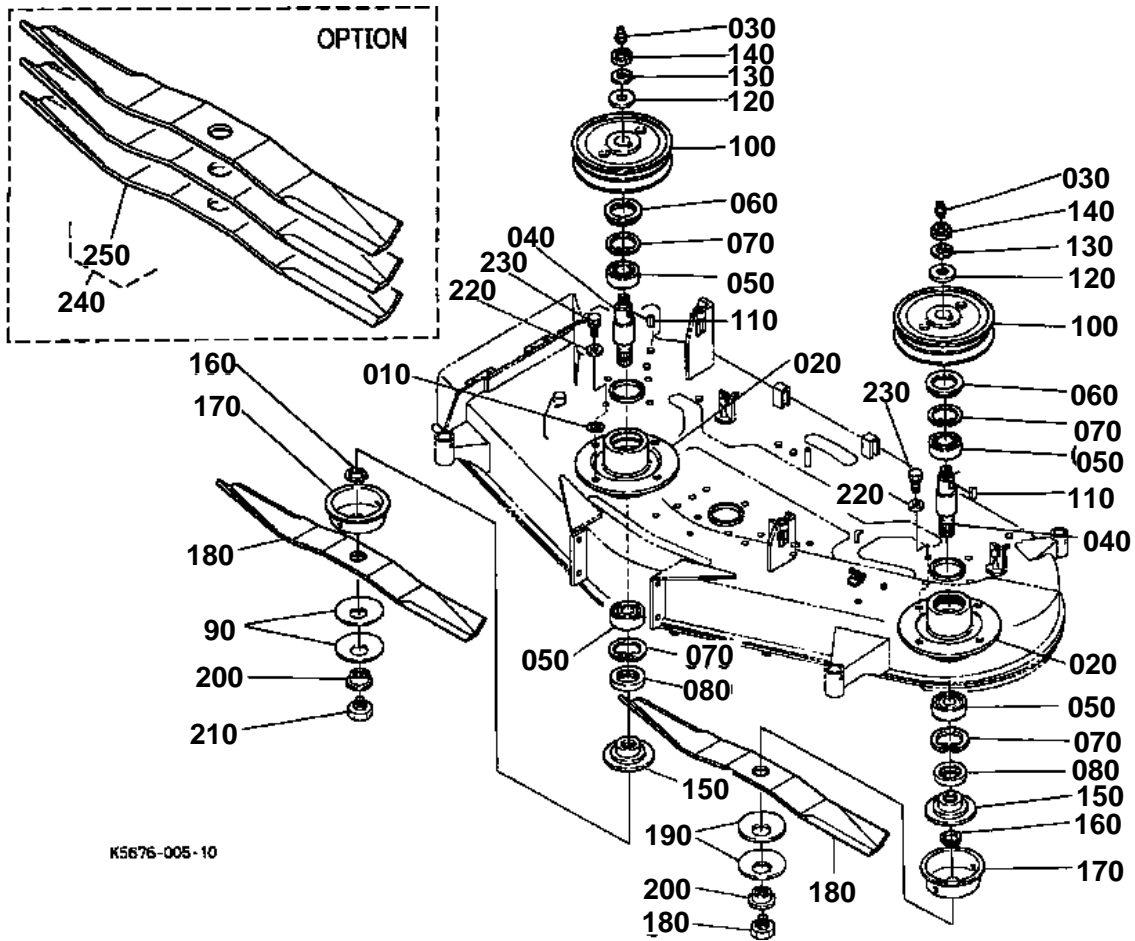


**PULLEY HOLDER/BLADE**

↔ Interchangeable; ≠ not interchangeable; ← new for old; → old for new

REF.No	Part No.	Description	Q'ty	S.No.	I/C	REMARKS	Weight (kgf)	Weight (lb)
010	K5671-33590	COLLAR	1				0.034	0.0748
020	K5671-34110	HOLDER CENTER PULLEY	1				2.95	6.49
030	08101-06205	BEARING BALL	1				0.14	0.308
040	04611-00520	CIR CLIP INTERNAL	2				0.009	0.0198
050	70722-34120	SEAL OIL	1				0.025	0.055
060	70725-34162	SEAL OIL	1				0.024	0.0528
070	03410-50606	SCREW SET	1				0.001	0.0022
080	76550-34130	PIPE EXTENSION	1				0.035	0.077
090	67111-44250	NIPPLE GREASE	1				0.005	0.011
100	66616-34390	SHIM ADJUSTING	1				0.001	0.0022
110	K5761-34152	BOSS SPLINE	1				0.28	0.616
120	04612-00220	CIR CLIP EXTERNAL	1				0.001	0.0022
130	K5671-34310	COVER DUST	1				0.11	0.242
140	K5676-34330	BLADE	1				0	0
150	76550-34350	RETAINER BLADE	2				0.075	0.165
160	76539-34392	JOINT BLADE BOSS	1				0.06	0.132
170	76539-34372	BOLT LOCKING BLADE	1				0.05	0.11
180	K5676-97520	KIT BLADE	1				0	0
190	K5676-34330	BLADE	3				0	0

SIDE PULLEY/BLADE

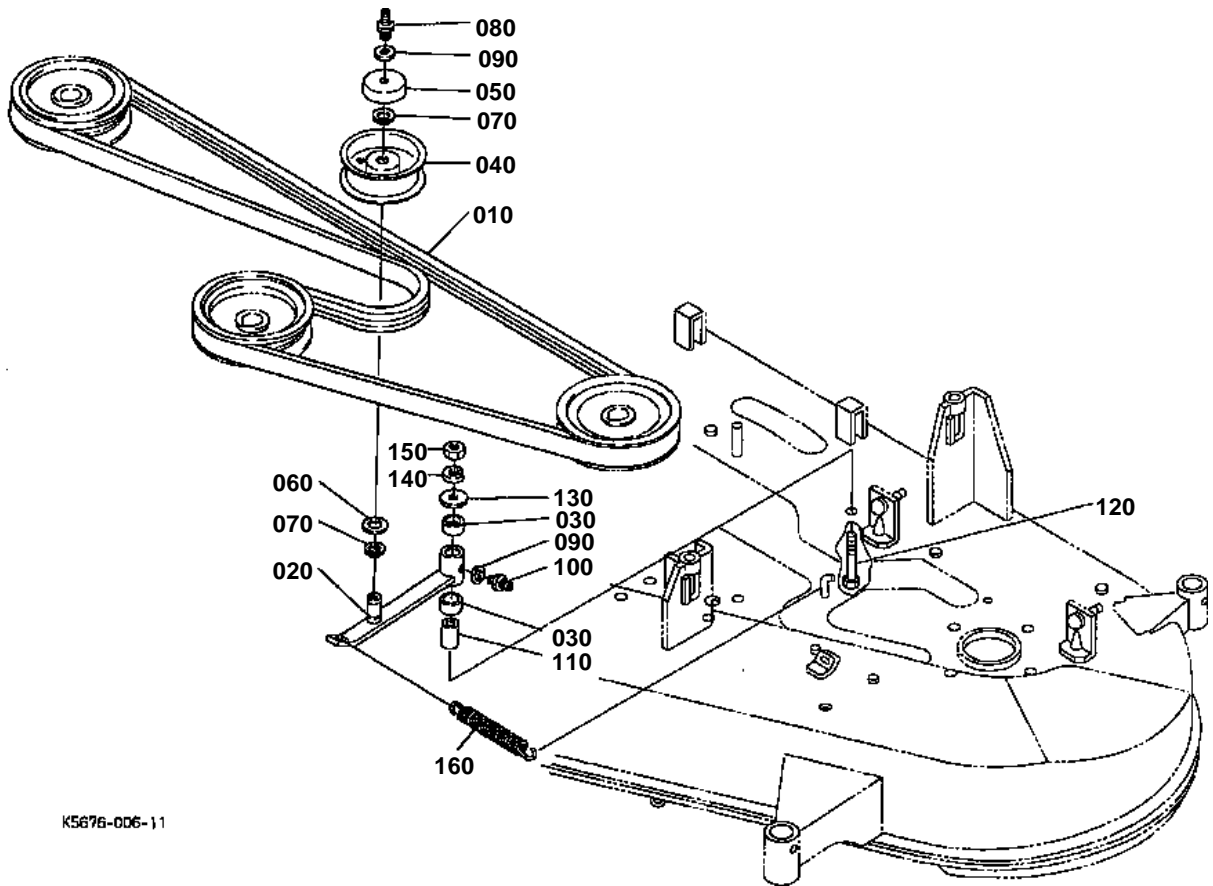


**SIDE PULLEY/BLADE**

↔ Interchangeable; ≠ not interchangeable; ← new for old; → old for new

REF.No	Part No.	Description	Q'ty	S.No.	I/C	REMARKS	Weight (kgf)	Weight (lb)
010	K5676-33590	SHIM SIDE PULLEY	1			AS REQUIRED(0.5mm)	0	0
020	K5671-34510	HOLDER SIDE	2				2.4	5.28
030	06613-10675	NIPPLE GREASE	2				0.003	0.0066
040	K5671-34550	SHAFT BLADE	2				0.55	1.21
050	08101-06205	BEARING BALL	4				0.14	0.308
060	70722-34120	SEAL OIL	2				0.025	0.055
070	04611-00520	CIR CLIP INTERNAL	4				0.009	0.0198
080	70725-34162	SEAL OIL	2				0.024	0.0528
090	99999-99999	BLANK	0				0	0
100	K5671-33580	PULLEY SIDE	2				1.7	3.74
110	05712-00722	KEY FEATHER	2				0.009	0.0198
120	70721-34560	WASHER PLAIN	2				0.01	0.022
130	04512-60160	WASHER SPRING	2				0.01	0.022
140	02172-50160	NUT	2				0.017	0.0374
150	K5761-34152	BOSS SPLINE	2				0.28	0.616
160	04612-00220	CIR CLIP EXTERNAL	2				0.001	0.0022
170	K5671-34310	COVER DUST	2				0.11	0.242
180	K5676-34330	BLADE	2				0	0
190	76550-34350	RETAINER BLADE	4				0.075	0.165
200	76539-34392	JOINT BLADE BOSS	2				0.06	0.132
210	76539-34372	BOLT LOCKING BLADE	2				0.05	0.11
220	04013-60120	WASHER PLAIN	8				0.01	0.022
230	01133-51230	BOLT	8				0.04	0.088
240	K5676-97520	KIT BLADE	1			OPTION	0	0
250	K5676-34330	BLADE	3			OPTION	0	0

TENSION PULLEY



K5676-006-11



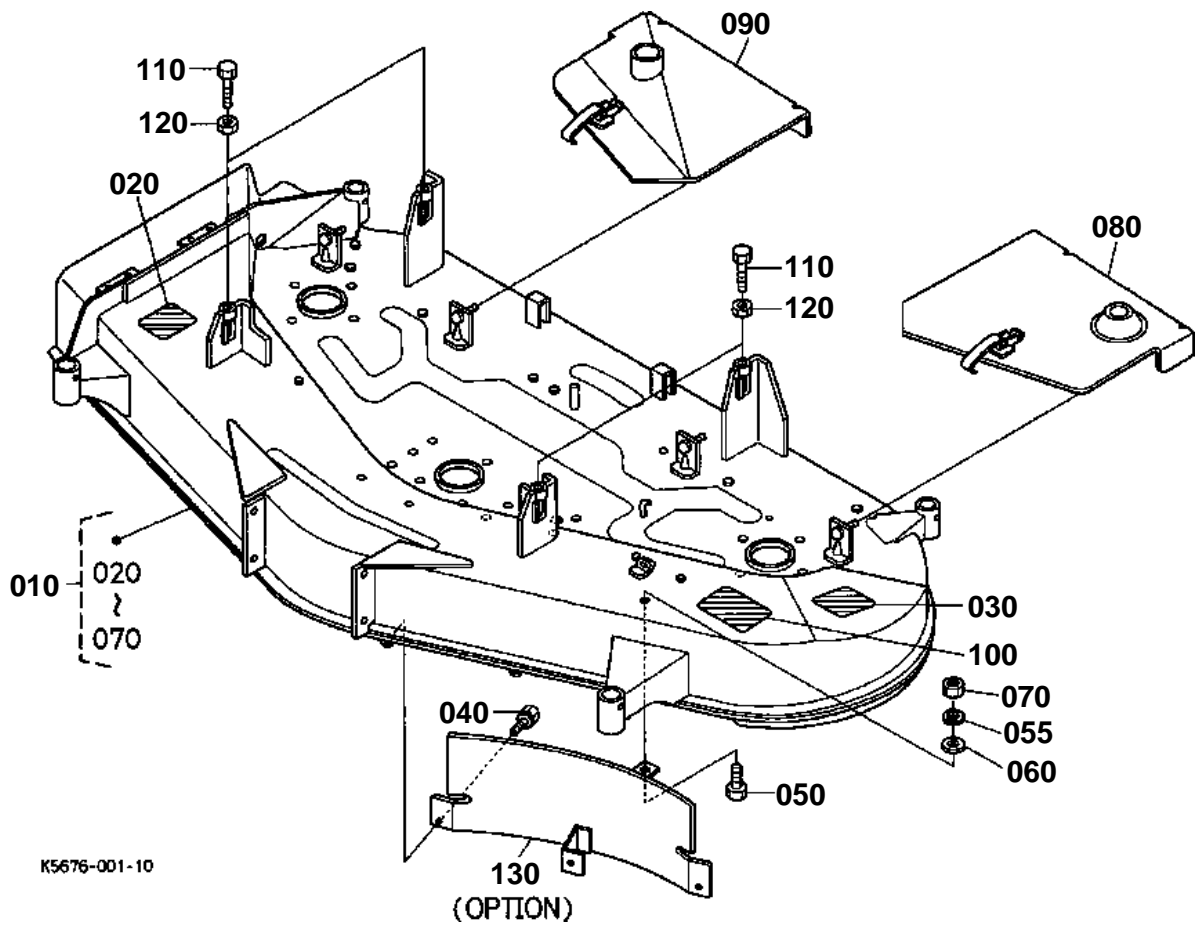
**TENSION PULLEY**  
#

REV.JUL.12 '02

↔ Interchangeable; ≠ not interchangeable; ← new for old; → old for new

REF.No	Part No.	Description	Q'ty	S.No.	I/C	REMARKS	Weight (kgf)	Weight (lb)
010	K5671-34710	BELT	1				1.05	2.31
020	K5671-34730	ARM	1				0.63	1.386
030	08511-02015	BUSH	2				0.011	0.0242
040	76539-34883	COMP.PULLEY TENSION	1				0.42	0.924
050	76539-34790	COVER TENSION	1				0.03	0.066
060	76539-34800	SEAL BEARING	1				0.001	0.0022
070	04612-00170	CIR CLIP EXTERNAL	2				0.001	0.0022
080	K5761-12100	NIPPLE GREASE	1				0.008	0.0176
090	36530-27350	SHIM	2				0.001	0.0022
100	76543-12100	NIPPLE GREASE	1				0.003	0.0066
110	K5761-34780	SPACER TENSION	1				0.068	0.1496
120	01173-51270	BOLT	1				0.067	0.1474
130	04015-60120	WASHER PLAIN	1				0.022	0.0484
140	04512-60120	WASHER SPRING	1				0.005	0.011
150	02172-50120	NUT	1				0.01	0.022
160	76539-34750	SPRING TENSION	1				0.18	0.396

MOWER DECK





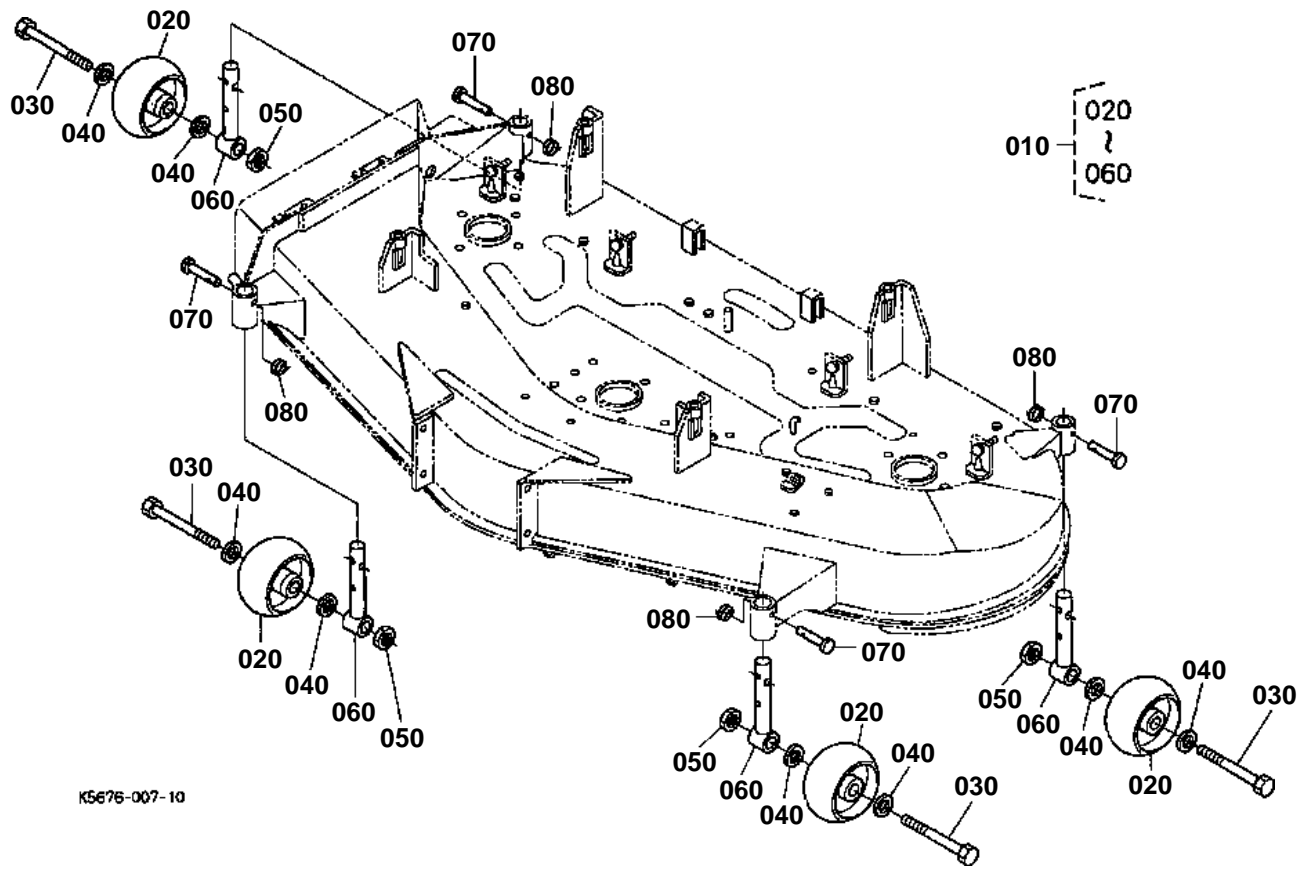


## MOWER DECK

↔ Interchangeable; ≠ not interchangeable; ← new for old; → old for new

REF.No	Part No.	Description	Q'ty	S.No.	I/C	REMARKS	Weight (kgf)	Weight (lb)
010	K5676-41102	ASSY DECK MOWER	1				0	0
020	66071-61780	LABEL CAUTION	1				0.005	0.011
030	66071-61790	LABEL CAUTION	1				0.002	0.0044
040	01123-60814	BOLT	3				0.008	0.0176
050	01173-51020	BOLT	1				0.017	0.0374
055	04512-60100	WASHER SPRING	1				0.002	0.0044
060	04013-60100	WASHER PLAIN	1				0.004	0.0088
070	02118-50100	NUT	1				0.005	0.011
080	K5676-41180	COVER LH	1				0	0
090	K5676-41200	COVER RH	1				0	0
100	K5676-41192	LABEL ANTI-SCALP	1				0	0
110	K5645-41910	BOLT ADJUSTER	4				0	0
120	02074-50120	NUT	4				0.015	0.033
130	K5676-46200	PLATE FRONT BAFFLE	1			OPTION	0	0

FRONT & REAR GAUGE WHEEL



K5676-007-10

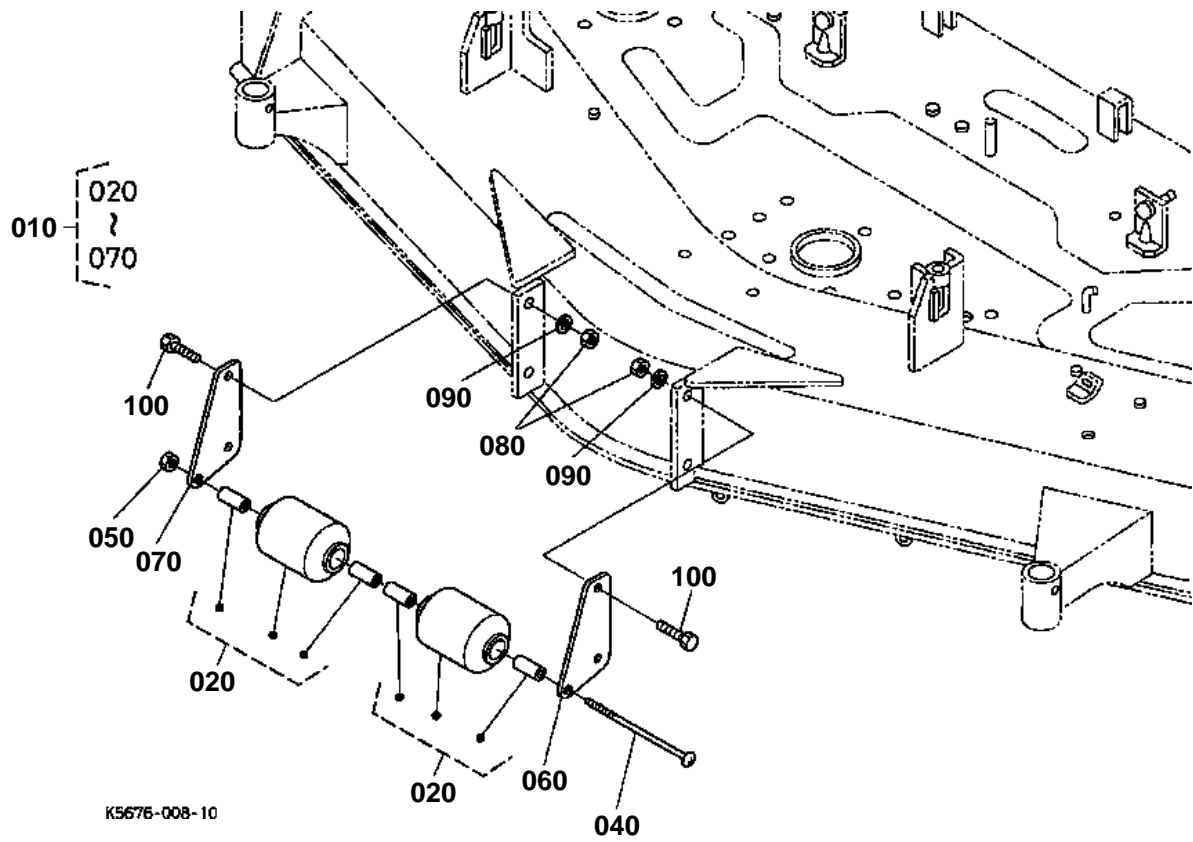


## FRONT & REAR GAUGE WHEEL

↔ Interchangeable; ≠ not interchangeable; ← new for old; → old for new

REF.No	Part No.	Description	Q'ty	S.No.	I/C	REMARKS	Weight (kgf)	Weight (lb)
010	K5645-42200	ASSY GAUGE WHEEL	4				0	0
020	K5371-42110	GAUGE WHEEL	4				0.001	0.0022
030	01073-51602	BOLT	4				0	0
040	04013-60160	WASHER PLAIN	8				0.01	0.022
050	02072-50160	NUT	4				0.022	0.0484
060	K5645-72680	PIN GAUGE WHEEL	4				0	0
070	75599-51235	PIN CLEVIS	4				0	0
080	K5112-72730	RING SNAP	4				0	0

ANTI-SCALP ROLLER



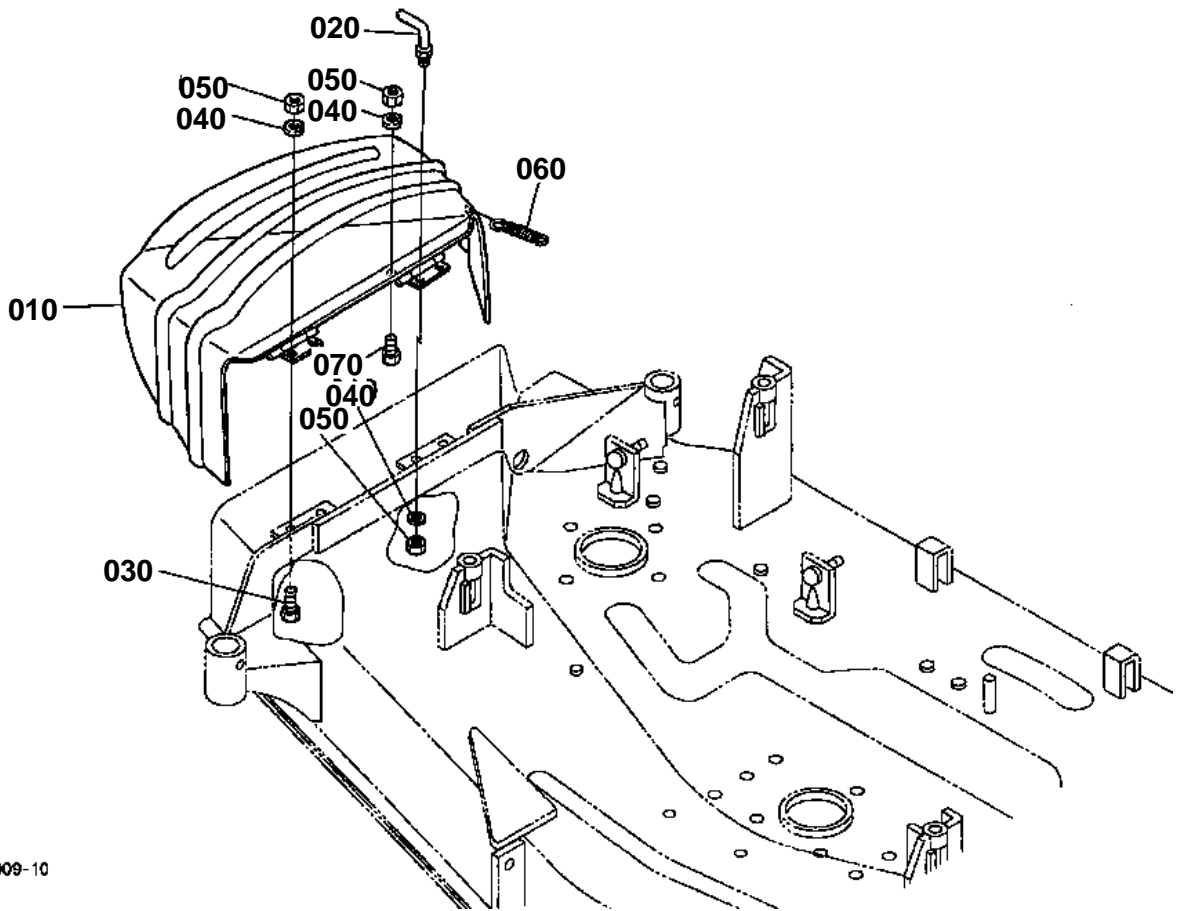


# ANTI-SCALP ROLLER

↔ Interchangeable; ≠ not interchangeable; ← new for old; → old for new

REF.No	Part No.	Description	Q'ty	S.No.	I/C	REMARKS	Weight (kgf)	Weight (lb)
010	K5676-46100	ASSY ROLL.ANTI-SCALP	1				0	0
020	K5763-46250	ASSY ROLLER	2				0	0
030	99999-99999	BLANK	0				0	0
040	K5221-72650	BOLT GAUGE	1				0.25	0.55
050	02572-50120	NUT LOCK	1				0.014	0.0308
060	K5676-46110	STAY ROLLER LH	1				0	0
070	K5676-46130	STAY ROLLER RH	1				0	0
080	02018-50100	NUT	4				0.011	0.0242
090	04512-60100	WASHER SPRING	4				0.002	0.0044
100	01073-51030	BOLT	4				0.028	0.0616

DISCHARGE COVER





## DISCHARGE COVER

↔ Interchangeable; ≠ not interchangeable; ← new for old; → old for new

REF.No	Part No.	Description	Q'ty	S.No.	I/C	REMARKS	Weight (kgf)	Weight (lb)
010	76550-27114	COVER CHUTE	1				7	15.4
020	70721-47130	STOPPER CHUTE	1				0.05	0.11
030	01173-51025	BOLT	3				0.021	0.0462
040	04512-60100	WASHER SPRING	5				0.002	0.0044
050	02118-50100	NUT	5				0.005	0.011
060	70722-47120	SPRING	1				0.06	0.132
070	01173-51028	BOLT	1				0.022	0.0484