

Instructions for Parts Books

The heading at the top of the page will be the same for the picture of the parts as it is for the page with the part numbers.

Definition of column headings on part number pages:

REF.No → The number referring to the part on the picture page of the parts book.

Part No. → The number assigned to this part at the time of printing the parts book.

Description → Description of part.

Q'ty → Quantity of part used on that page.

S.No. → Serial number range of the equipment that this part will fit.

>= Your serial number should be greater than or equal to the number shown.

<= Your serial number should be lesser than or equal to the serial number shown.

I/C → Interchangeability of part shown.

↔ The part shown will work for the older and later serial number.

The part shown is not interchangeable with the other serial number.

← new for old

→ old for new

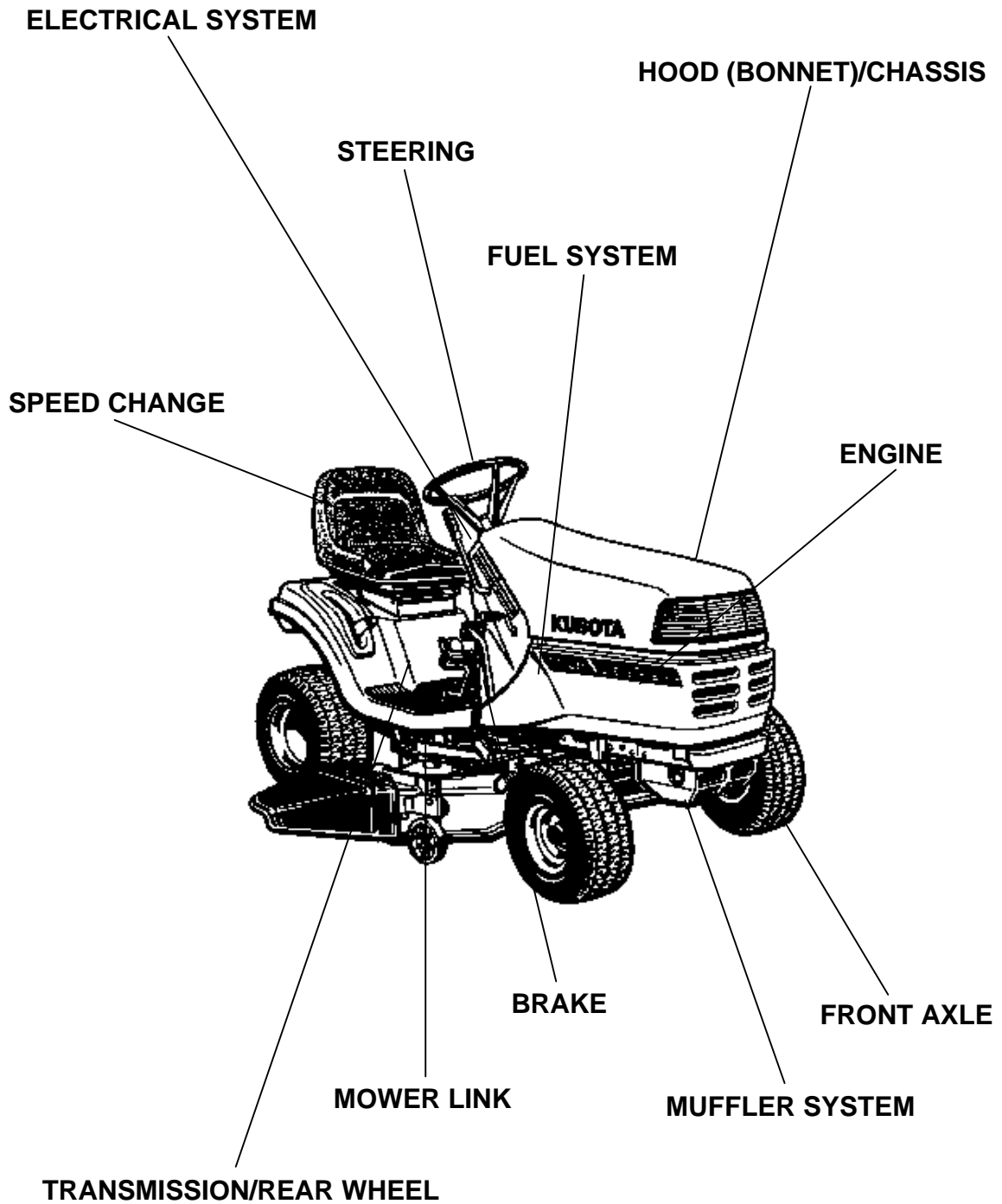
Remarks → Notes about this particular part. Sometimes this may say except [FR] or [CA]

Note about Country Codes:

The parts books we use in the United States of America may also contain information about a part that would be different in another country. It is important that you are aware of the country codes in some instances.

Symbol	Country
A	United States of America
CA	Canada
FR	France
GR	Greece
PO	Portugal
AU	Australia

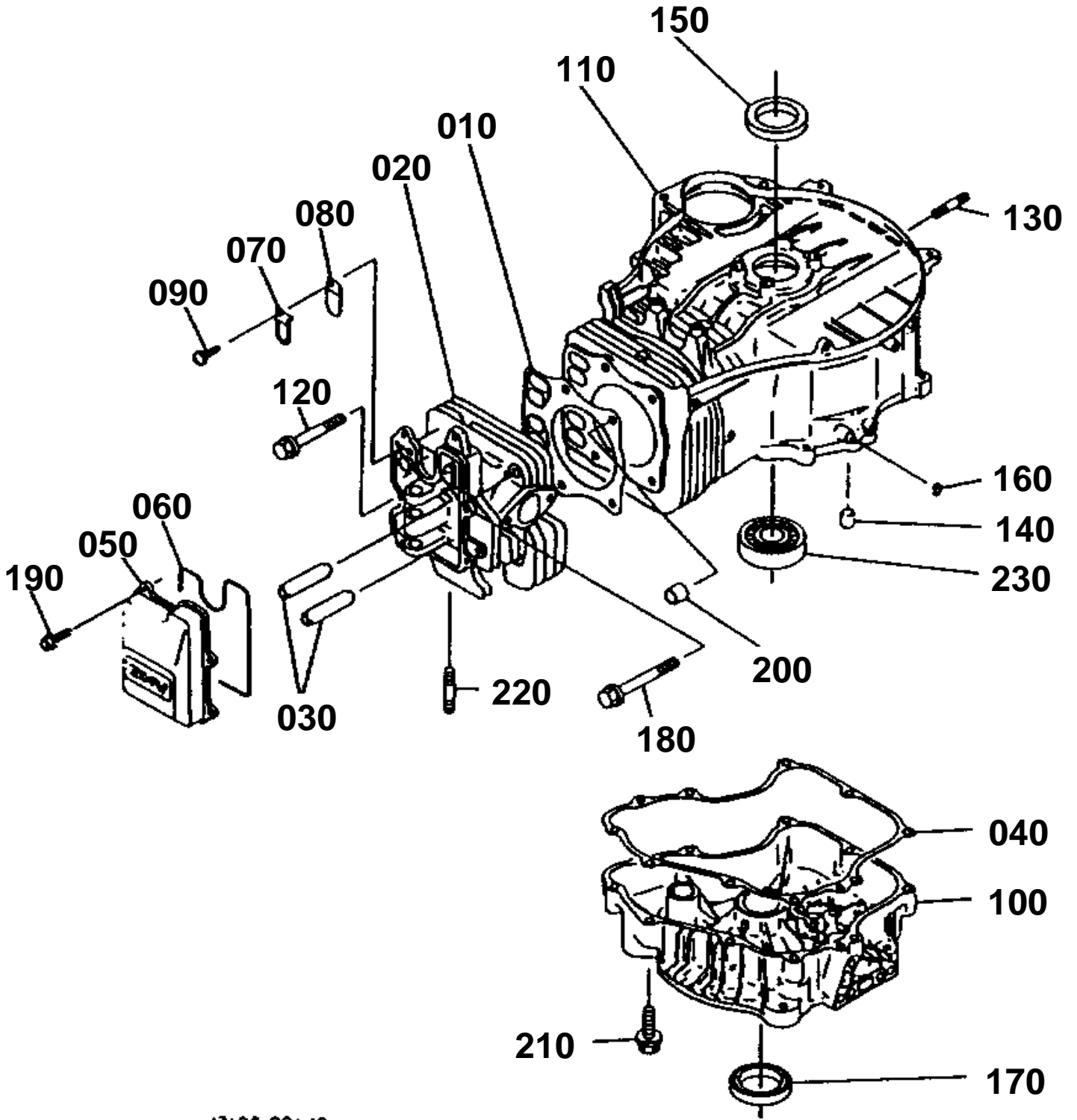
If the remarks column says for example EXCEPT [FR] this part works in all countries except France. That means it will work here in the USA.



LABELS
ACCESSORIES

Item	Part No.	Description	Book
ENGINE	01G001	CRANKCASE	100K0695
	01G002	AIR CLEANER	100K0695
	01G003	ROCKER ARM/CAMSHAFT	100K0695
	01G004	PISTON/CRANKSHAFT	100K0695
	01G005	DIPSTICK	100K0695
	01G006	FUEL PUMP	100K0695
	01G007	CARBURETTOR	100K0695
	01G008	CARBURETTOR (COMPONENT PARTS)	100K0695
	01G009	SPEED CONTROL PLATE	100K0695
	01G010	GOVERNOR	100K0695
	01G011	STARTER (COMPONENT PARTS)	100K0695
	01G012	MAGNETO	100K0695
	01G013	FAN COVER	100K0695
	01G014	LABEL (ENGINE)	100K0695
FUEL SYSTEM	01G015	ACCEL LEVER	100K0695
	01G016	FUEL TANK	100K0695
MUFFLER SYSTEM	01G017	MUFFLER	100K0695
ELECTRICAL SYSTEM	01G018	BATTERY/WIRE HARNESS	100K0695
	01G019	ELECTRICAL SYSTEM	100K0695
TRANSMISSION/REAR WHEEL	01G020	HST/REAR WHEEL	100K0695
	01G021	HST/(COMPONENT PARTS)	100K0695
SPEED CHANGE	01G022	SPEED CHANGE PEDAL	100K0695
	01G023	TENSION PULLEY/PTO LEVER	100K0695
BRAKE	01G024	BRAKE ROD/PARKING LOCK PEDAL	100K0695
	01G02401	PARKING BRAKE LEVER	100K0695
STEERING	01G025	STEERING WHEEL	100K0695
FRONT AXLE	01G026	FRAME	100K0695
	01G027	FRONT AXLE/FRONT WHEEL	100K0695
HOOD (BONNET)/CHASSIS	01G028	BONNET/HEAD LIGHT	100K0695
	01G029	FENDER	100K0695
	01G030	PANEL	100K0695
	01G031	SEAT	100K0695
MOWER LINK	01G032	LIFT LEVER/LINK	100K0695
LABELS	01G033	LABEL	100K0695
ACCESSORIES	01G037	ACCESSORIES AND SERVICE PARTS	100K0695
	01G038	SERVICE PARTS	100K0695

CRANKCASE



12498-001-10

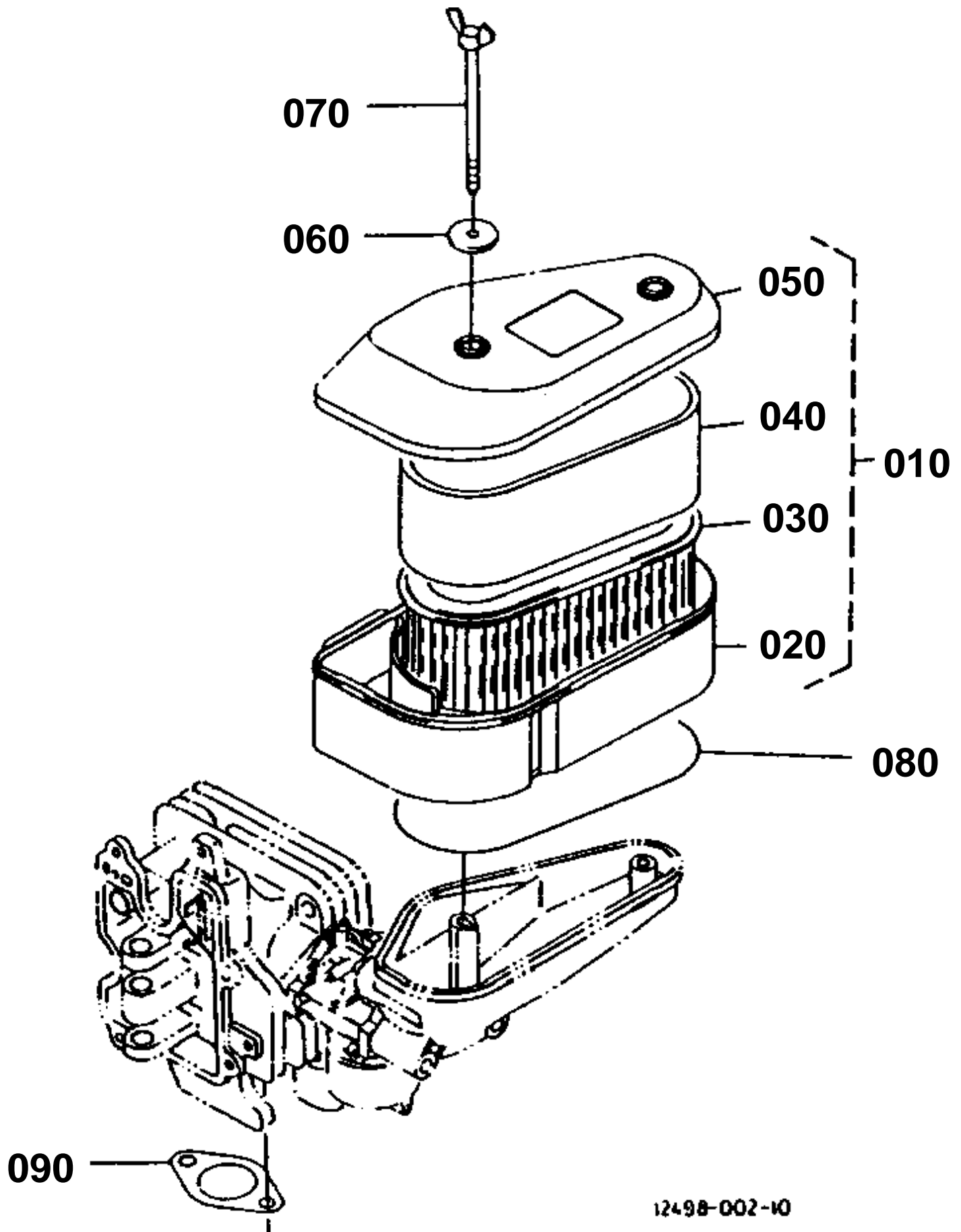


CRANKCASE

↔ Interchangeable; ≠ not interchangeable; ← new for old; → old for new

REF.No	Part No.	Description	Q'ty	S.No.	I/C	REMARKS	Weight (kgf)	Weight (lb)
010	12498-03310	GASKET HEAD	1				0.019	0.0418
020	12498-03112	COMP.CYLINDER HEAD	1				0	0
030	12498-05230	GUIDE VALVE	2				0.026	0.0572
040	12498-12520	GASKET CRANKCASE	1				0.012	0.0264
050	12499-14502	COVER CYL.HEAD	1				0	0
060	12499-14520	GASKET HEAD COVER	1				0.01	0.022
070	12499-05112	PLATE	1				0	0
080	12499-05210	BULB	1				0.001	0.0022
090	12499-05220	SCREW CR-REC-PAN-HD	1				0.002	0.0044
100	12498-01052	COVER CRANKCASE	1				0	0
110	12498-02112	COVER CRANKCASE	1				0	0
120	12499-03450	BOLT	3				0.05	0.11
130	12499-03120	STUD	4				0.004	0.0088
140	12499-01060	PIN	2				0.002	0.0044
150	12499-16640	SEAL OIL	1				0.012	0.0264
160	12499-16650	SEAL OIL	1				0.001	0.0022
170	12499-16660	SEAL OIL	1				0	0
180	12498-03460	BOLT	2				0.05	0.11
190	12498-14510	BOLT FLANGE	4				0	0
200	12498-14520	COLLAR	4				0.002	0.0044
210	12499-91120	BOLT FLANGE	9				0.022	0.0484
220	12499-91130	STUD	2				0.01	0.022
230	12499-91140	BEARING BALL	1				0.45	0.99

AIR CLEANER



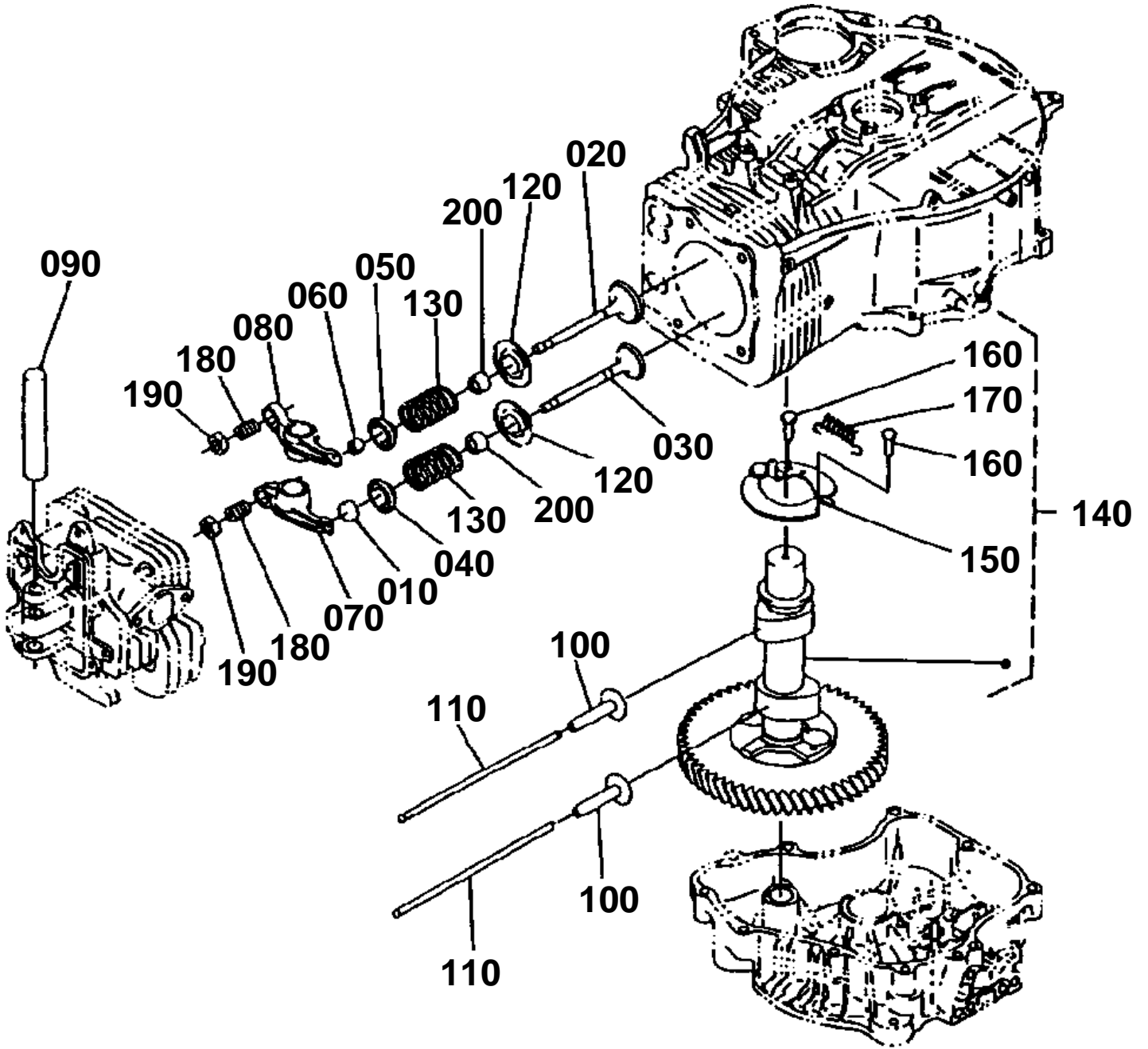
12498-002-10



AIR CLEANER

↔ Interchangeable; ≠ not interchangeable; ← new for old; → old for new

REF.No	Part No.	Description	Q'ty	S.No.	I/C	REMARKS	Weight (kgf)	Weight (lb)
010	12498-11010	ASSY CLEANER AIR	1				0.35	0.77
020	12498-11150	CASE AIR CLEANER	1				0.16	0.352
030	12498-11210	ELEMENT	1				0.07	0.154
040	12498-11220	ELEMENT	1				0.008	0.0176
050	12498-11160	CAP AIR CLEANER	1				0.113	0.2486
060	12498-11170	WASHER PLAIN	2				0	0
070	12499-11180	BOLT	2				0.033	0.0726
080	12498-11510	GASKET AIR CLEANER	1				0.005	0.011
090	12498-12230	GASKET MUFFLER	1				0.004	0.0088



12498-016-10



ROCKER ARM/CAMSHAFT

↔ Interchangeable; ≠ not interchangeable; ← new for old; → old for new

REF.No	Part No.	Description	Q'ty	S.No.	I/C	REMARKS	Weight (kgf)	Weight (lb)
010	12499-13350	COLLET VALVE SPRING	1				0.01	0.022
020	12498-13110	VALVE INTAKE	1				0.063	0.1386
030	12498-13120	VALVE EXHAUST	1				0.055	0.121
040	12499-13330	RETANER SPRING	1				0.014	0.0308
050	12499-13340	RETAINER SPRING	1				0.008	0.0176
060	12499-13360	COLLET	2				0.004	0.0088
070	12499-14020	ARM ROCKER	1				0.047	0.1034
080	12499-14030	ARM ROCKER	1				0.046	0.1012
090	12499-14040	SHAFT ROCKER	1				0.078	0.1716
100	12499-15550	TAPPET	2				0.05	0.11
110	12498-15110	PUSH ROD	2				0.024	0.0528
120	12499-15120	SPRING SEAT	2				0.003	0.0066
130	12499-13240	SPRING VALVE	2				0.05	0.11
140	12498-16160	COMP.CAMSHAFT	1				1.14	2.508
150	12498-15130	DECOMPRESSOR	1				0.025	0.055
160	12498-15140	PIN	2				0.002	0.0044
170	12498-15150	SPRING	1				0.001	0.0022
180	12499-14230	SCREW ADJUST	2				0.004	0.0088
190	12499-14240	NUT	2				0.002	0.0044
200	12499-13152	SEAL OIL	2				0	0

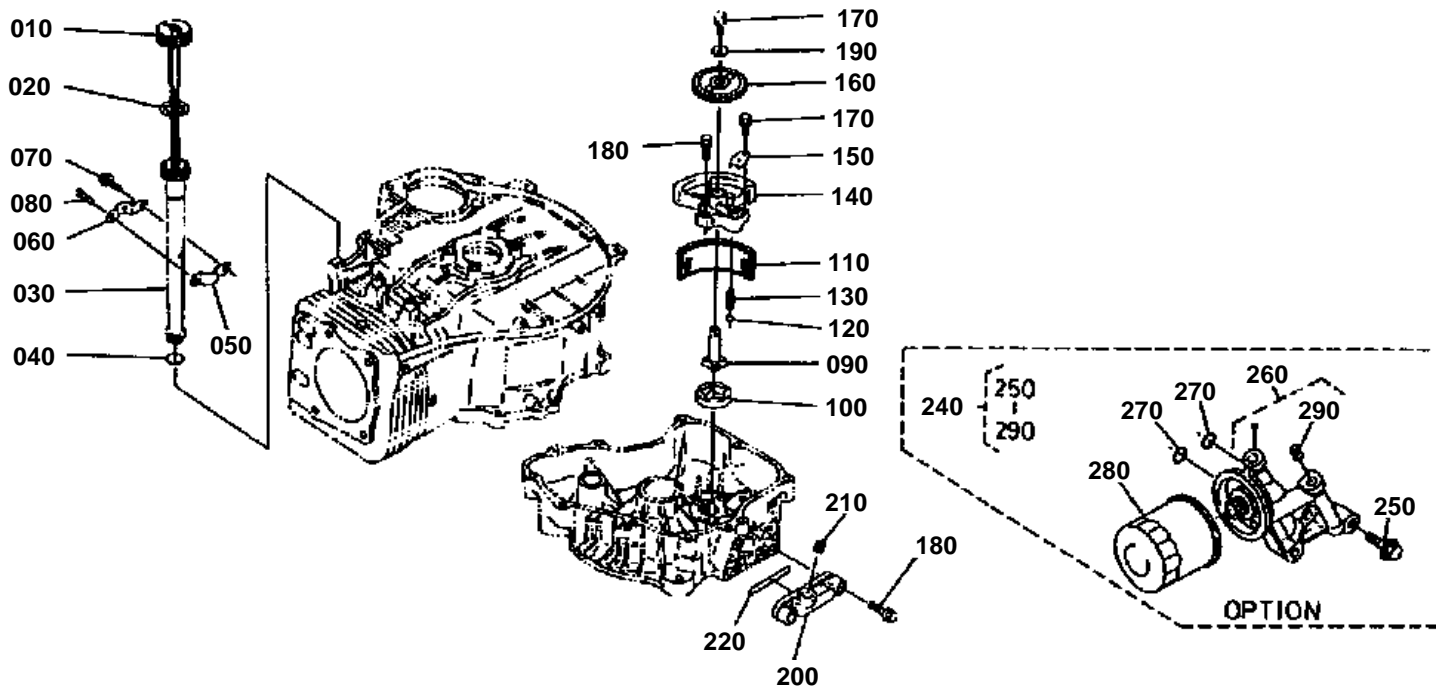


PISTON/CRANKSHAFT

↔ Interchangeable; ≠ not interchangeable; ← new for old; → old for new

REF.No	Part No.	Description	Q'ty	S.No.	I/C	REMARKS	Weight (kgf)	Weight (lb)
010	12499-21110	PISTON	1			STD	0.35	0.77
010	12499-21910	PISTON	1			+0.25MM	0.31	0.682
010	12499-21920	PISTON	1			+0.50MM	0.31	0.682
020	12498-21052	ASSY PISTON RING	1			STD	0	0
020	12498-21082	ASSY PISTON RING	1			+0.25MM	0	0
020	12498-21092	ASSY PISTON RING	1			+0.50MM	0	0
030	12499-21310	PIN PISTON	1				0.05	0.11
040	12498-26410	WEIGHT BALANCER	1				2.3	5.06
050	12499-26410	SHAFT	1				3.19	7.018
060	12498-22010	ASSY ROD CONNECTING	1			STD	0.29	0.638
060	12498-22020	ASSY ROD CONNECTING	1			-0.50MM	0.3	0.66
070	12498-22030	ROD	2				0.13	0.286
080	12498-23012	ASSYMRANKSHAFT	1				0	0
090	12498-26430	GEAR	1				0.135	0.297
100	12499-26430	NUT	4				0.003	0.0066
110	12498-23610	SHIM	1			1.180MM	0.008	0.0176
110	12498-23620	SHIM	1			1.215MM	0.008	0.0176
110	12498-23630	SHIM	1			1.250MM	0.009	0.0198
110	12498-23640	SHIM	1			1.285MM	0.008	0.0176
110	12498-23650	SHIM	1			1.320MM	0.009	0.0198
110	12498-23660	SHIM	1			1.355MM	0.009	0.0198
110	12498-23670	SHIM	1			1.390MM	0.009	0.0198
110	12498-23680	SHIM	1			1.425MM	0.008	0.0176
110	12498-23690	SHIM	1			1.460MM	0.01	0.022
110	12498-23700	SHIM	1			1.495MM	0.009	0.0198
110	12498-23710	SHIM	1			1.530MM	0.01	0.022
110	12498-23720	SHIM	1			1.565MM	0.01	0.022
110	12498-23730	SHIM	1			1.600MM	0.009	0.0198
110	12498-23740	SHIM	1			1.635MM	0.01	0.022
110	12498-23750	SHIM	1			1.670MM	0.01	0.022
110	12498-23760	SHIM	1			1.705MM	0.009	0.0198
110	12498-23770	SHIM	1			1.740MM	0.011	0.0242
110	12498-23600	SHIM	1			1.775MM	0.01	0.022
110	12498-23590	SHIM	1			1.810MM	0.01	0.022
120	12499-23780	SPACER	1				0.07	0.154
130	12498-23790	SPACER	1				0.051	0.1122
140	12499-21330	CLIP PISTON PIN	2				0.001	0.0022
150	12499-67050	KEY	1				0.003	0.0066
160	12499-95250	O RING	1				0.01	0.022
170	12498-23020	BUSH	1				0.034	0.0748
180	12499-22140	BOLT	1				0.02	0.044

DIPSTICK

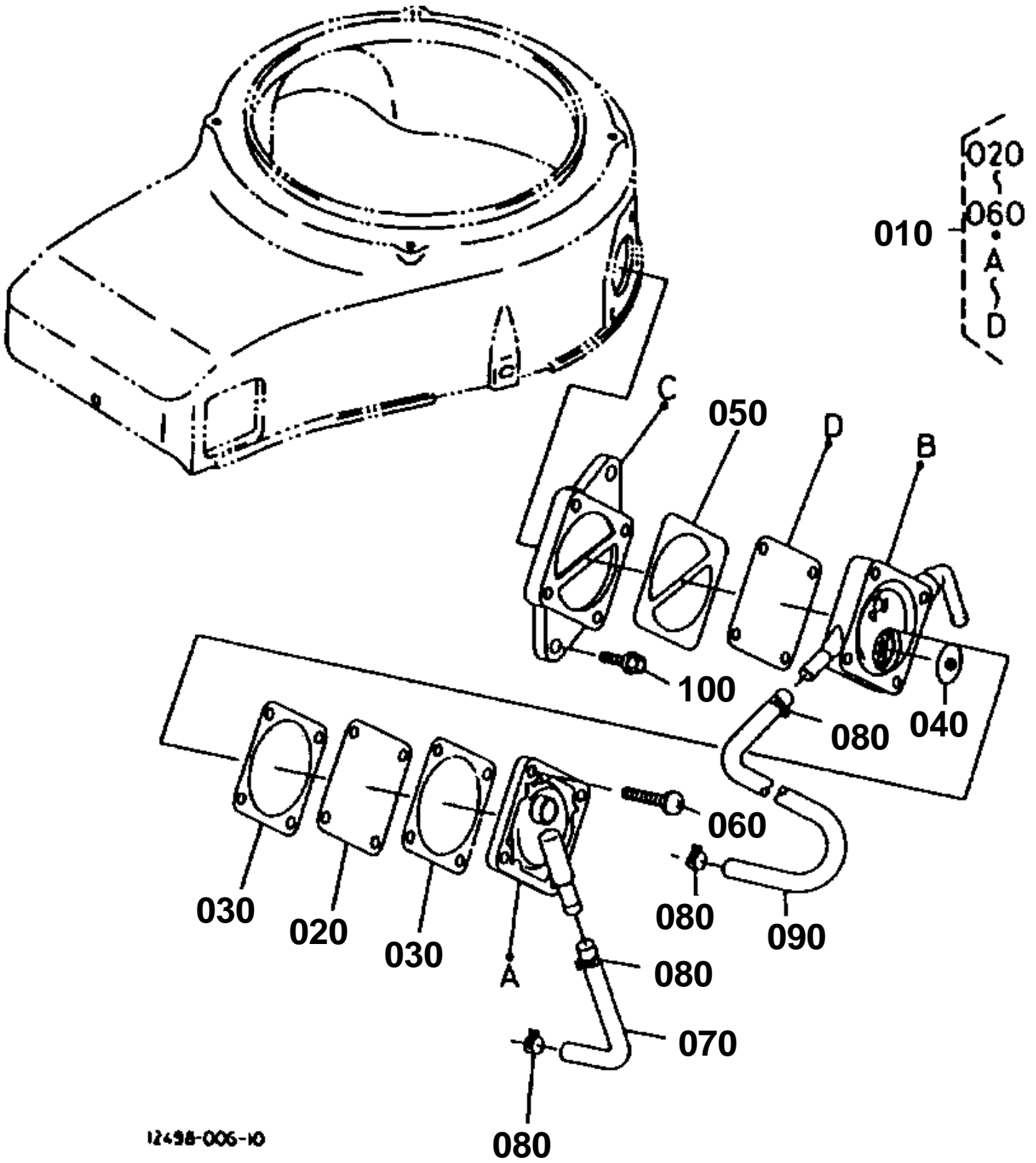


**DIPSTICK**

↔ Interchangeable; ≠ not interchangeable; ← new for old; → old for new

REF.No	Part No.	Description	Q'ty	S.No.	I/C	REMARKS	Weight (kgf)	Weight (lb)
010	12498-36410	GAUGE OIL	1				0.022	0.0484
020	12499-36420	GASKET OIL GAUGE	1				0.01	0.022
030	12499-36460	SUPPORT OIL GAUGE	1				0.05	0.11
040	12499-36430	O RING	1				0.001	0.0022
050	12498-36440	STAY	1				0.012	0.0264
060	12498-36450	STAY	1				0.013	0.0286
070	12499-36470	BOLT FLANGE	1				0.006	0.0132
080	12499-36480	SCREW CR-REC-PAN-HD	1				0.003	0.0066
090	12498-35070	ASSY PUMP OIL	1				0.047	0.1034
100	12498-35080	ROTOR PUMP	1				0.03	0.066
110	12499-35060	FILTER OIL	1				0.01	0.022
120	12499-35050	BALL	1				0.002	0.0044
130	12499-35040	SPRING	1				0	0
140	12498-35132	COVER PUMP	1				0	0
150	12499-35142	PLATE	1				0	0
160	12498-35150	GEAR	1				0.135	0.297
170	12499-35160	BOLT FLANGE	2				0.005	0.011
180	12498-35170	BOLT FLANGE	2				0.016	0.0352
190	12499-35180	WASHER PLAIN	1				0.004	0.0088
200	12499-35090	COVER	1				0.041	0.0902
210	12498-35180	PLUG	1				0	0
220	12498-32440	O RING	1				0	0
230	99999-99999	BLANK	0				0	0
240	12498-85100	KIT FILTER OIL	1			OPTION	0	0
250	12499-35190	BOLT FLANGE	3			OPTION	0.02	0.044
260	12499-32290	KOMP PIPE	1			OPTION	0.4	0.88
270	12499-32440	O RING	2			OPTION	0	0
280	12499-32430	FILTER OIL	1			OPTION	0.2	0.44
290	12499-32280	PLUG	1			OPTION	0.003	0.0066

FUEL PUMP



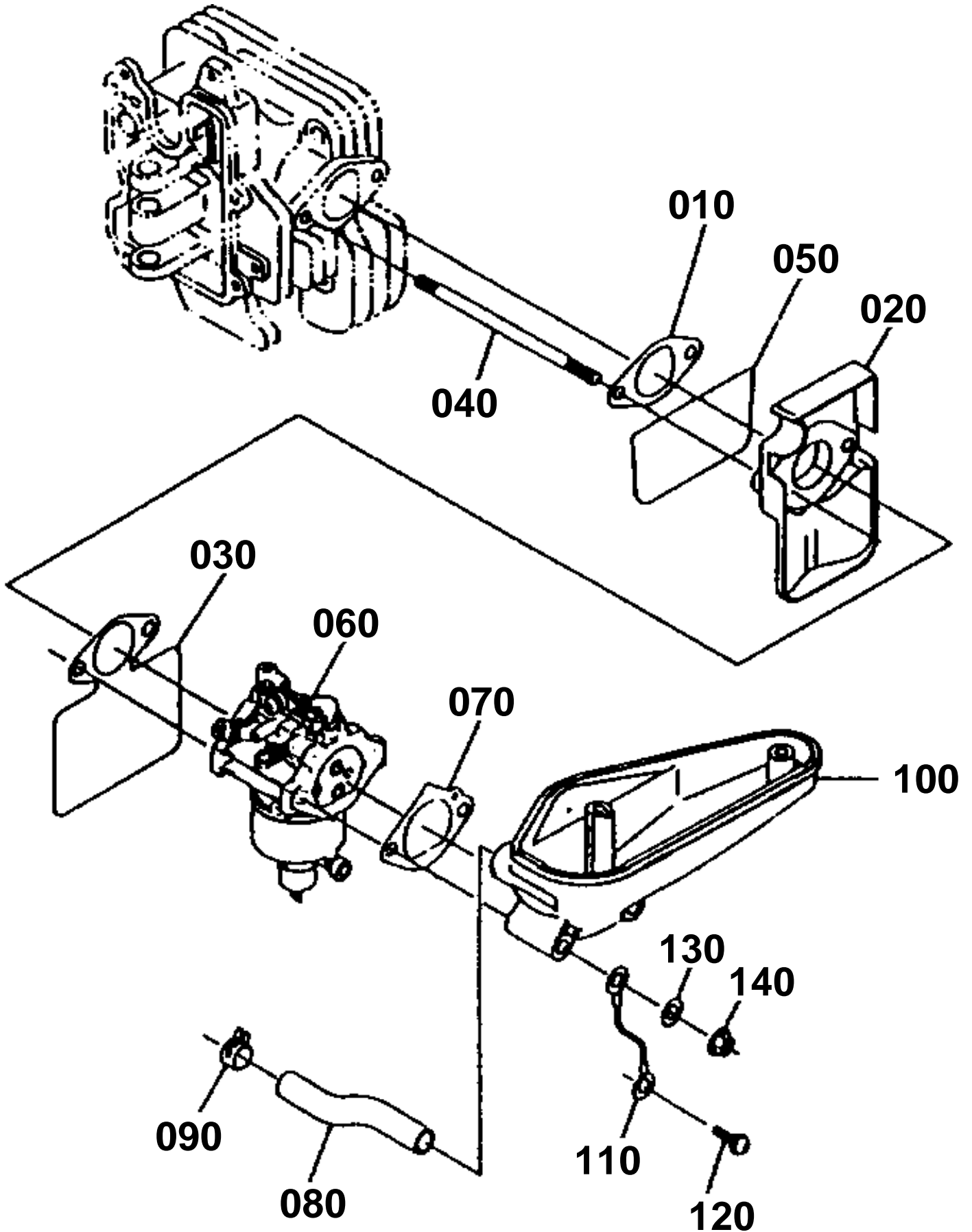
12498-006-10

**FUEL PUMP**

↔ Interchangeable; ≠ not interchangeable; ← new for old; → old for new

REF.No	Part No.	Description	Q'ty	S.No.	I/C	REMARKS	Weight (kgf)	Weight (lb)
010	12498-43010	PUMP FUEL	1				0.15	0.33
020	12499-43020	DIAPHRAGM	1				0.01	0.022
030	12499-43030	GASKET	2				0.01	0.022
040	12499-43040	ASSY VALVE	2				0.001	0.0022
050	12499-43050	GASKET	1				0.01	0.022
060	12499-43060	SCREW CR-REC-PAN-HD	4				0.005	0.011
070	12499-43070	TUBE	1				0	0
080	12499-43080	CLAMP	4				0	0
090	12499-43090	TUBE	1				0.129	0.2838
100	12498-43110	BOLT FLANGE	2				0.006	0.0132

CARBURETTOR



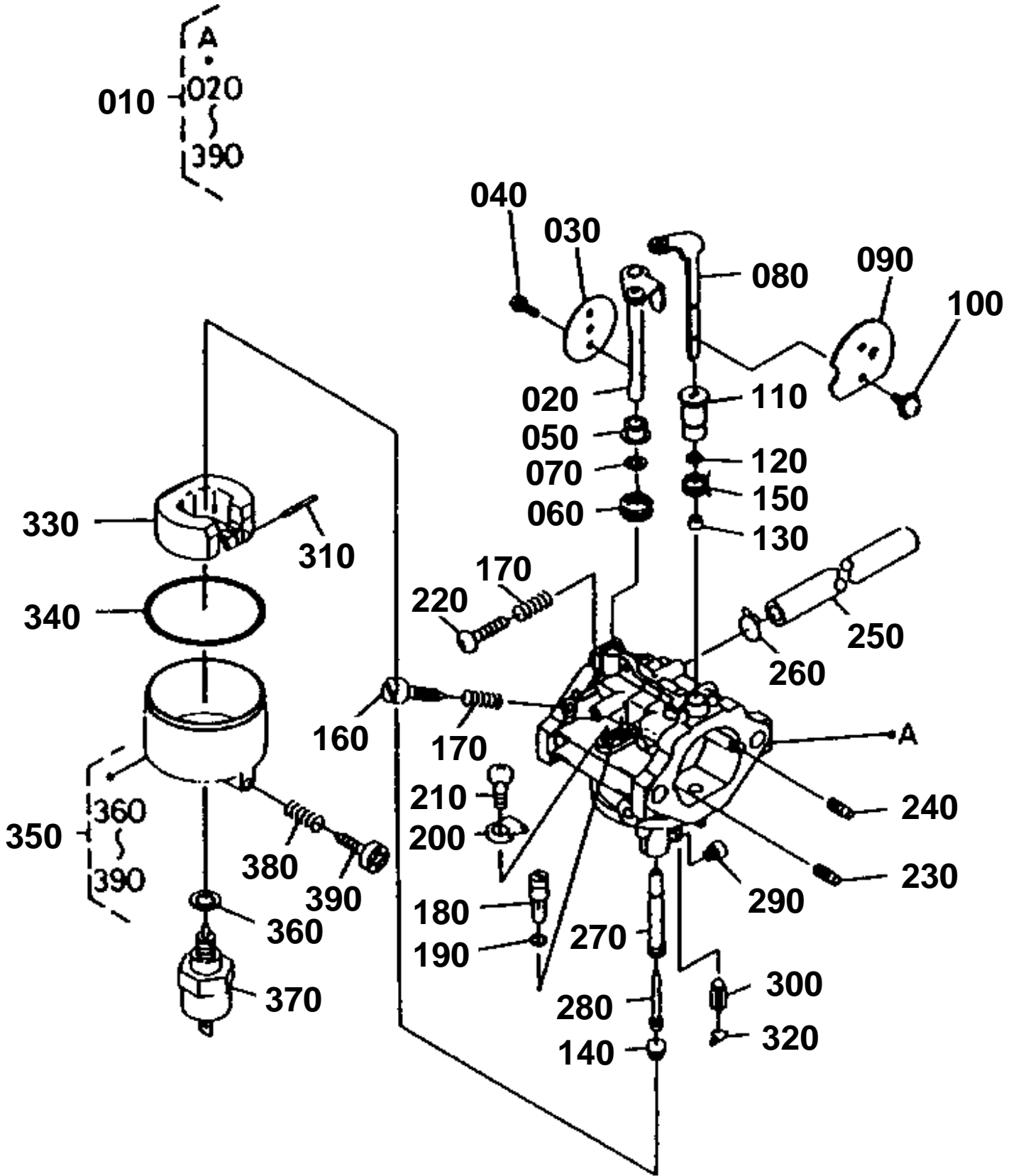
12498-007-10

**CARBURETTOR**

↔ Interchangeable; ≠ not interchangeable; ← new for old; → old for new

REF.No	Part No.	Description	Q'ty	S.No.	I/C	REMARKS	Weight (kgf)	Weight (lb)
010	12498-46172	GASKET INSULATOR	1				0	0
020	12498-46150	INSULATOR	1				0.065	0.143
030	12498-46162	GASKET CARBURETTOR	1				0	0
040	12498-46140	STUD	2				0.025	0.055
050	12499-46130	MAT	1				0.003	0.0066
060	12498-44010	ASSY CARBURETTOR	1				0	0
070	12498-46182	GASKET	1				0	0
080	12498-05510	TUBE	1				0.016	0.0352
090	12498-05520	CLAMP	1				0.004	0.0088
100	12498-11600	PIPE INTAKE	1				0.23	0.506
110	12498-49110	WIRE HARNESS	1				0.003	0.0066
120	12499-49120	SCREW FR-REC-PAN-HD	1				0.003	0.0066
130	12499-49130	WASHER PLAIN	1				0.001	0.0022
140	12499-26430	NUT	2				0.003	0.0066

CARBURETTOR (COMPONENT PARTS)



12498-008-10

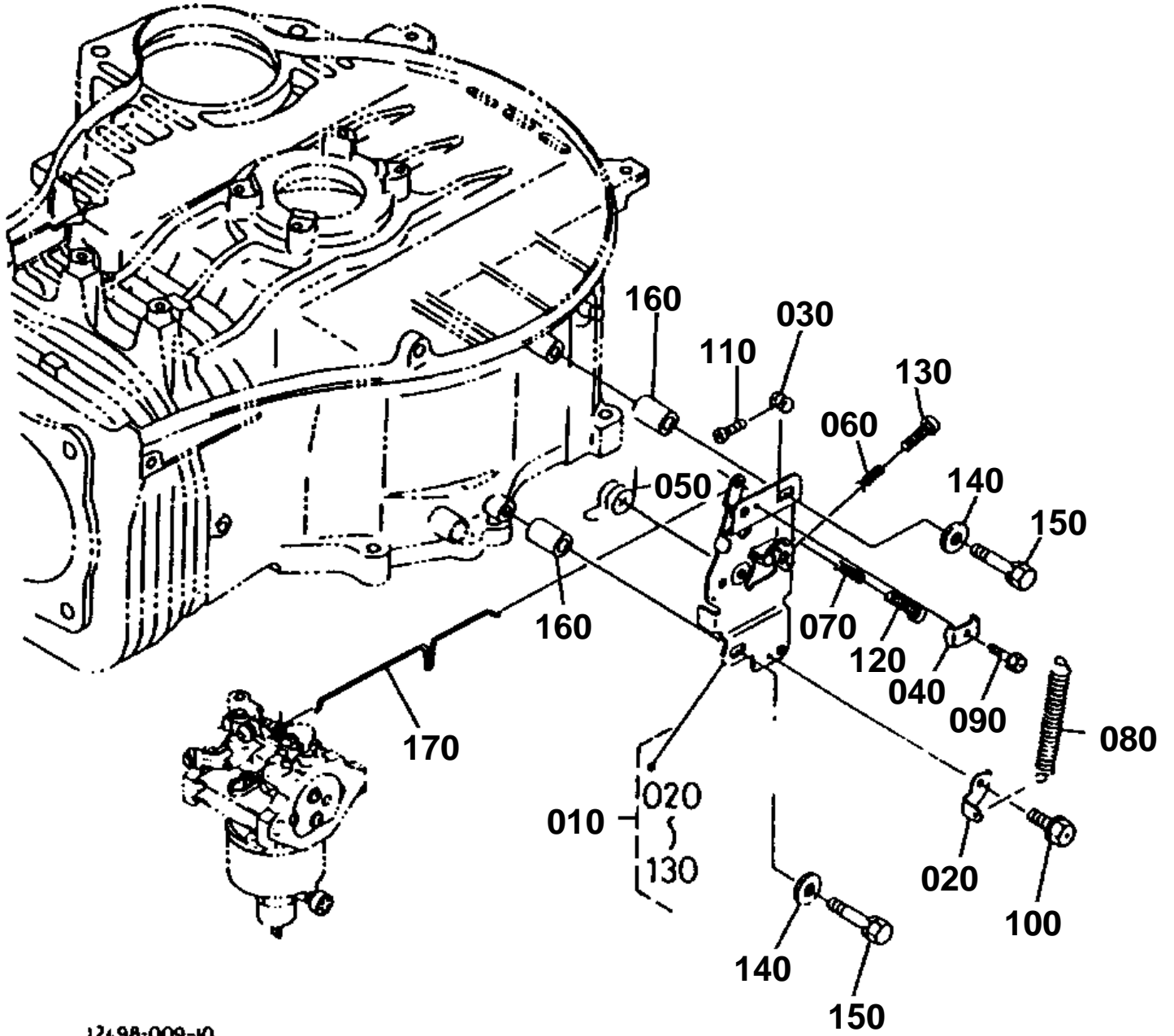


CARBURETTOR (COMPONENT PARTS)

↔ Interchangeable; ≠ not interchangeable; ← new for old; → old for new

REF.No	Part No.	Description	Q'ty	S.No.	I/C	REMARKS	Weight (kgf)	Weight (lb)
010	12498-44010	ASSY CARBURETTOR	1				0	0
020	12498-44300	SHAFT THROTTLE	1				0.015	0.033
030	12498-44320	VALVE THROTTLE	1				0.002	0.0044
040	12498-44330	SCREW CR-REC-PAN-HD	2				0.001	0.0022
050	12499-44340	COLLAR	1				0.001	0.0022
060	12498-44350	SPRING	1				0.001	0.0022
070	12499-44570	SEAL	1				0.001	0.0022
080	12498-44550	SHAFT CHOKE	1				0.015	0.033
090	12498-44530	VALVE CHOKE	1				0.006	0.0132
100	12498-44520	SCREW CR-REC-PAN-HD	2				0.001	0.0022
110	12498-44510	COLLAR	1				0.002	0.0044
120	12498-44540	SEAL	1				0.001	0.0022
130	12498-44560	COLLAR	1				0.001	0.0022
140	12498-44270	SEAT VALVE	1				0.002	0.0044
150	12498-44590	SPRING	1				0.001	0.0022
160	12498-44220	ADJUSTER	1				0	0
170	12498-44810	SPRING	2				0	0
180	12498-44180	PILOT JET	1				0.001	0.0022
190	12499-44170	GASKET	1				0.001	0.0022
200	12489-44160	PLATE	1				0.001	0.0022
210	12499-44150	SCREW CR-REC-PAN-HD	1				0.003	0.0066
220	12499-44130	SCREW CR-REC-PAN-HD	1				0.002	0.0044
230	12498-44200	JET AIR	1				0.001	0.0022
240	12498-44210	JET AIR	1				0.001	0.0022
250	12498-30100	TEBE	1				0.001	0.0022
260	12498-30110	CLAMP	1				0.001	0.0022
270	12498-44120	NOZZLE MAIN	1				0.004	0.0088
280	12498-44250	HOLDER MAIN JET	1				0.002	0.0044
290	12498-44262	MAIN JET	1				0	0
300	12499-44840	ASSY NEEDLE	1				0.01	0.022
310	12499-44780	PIN	1				0	0
320	12499-44780	PIN SNAP	1				0	0
330	12499-44720	FLOAT	1				0.01	0.022
340	12499-44750	GASKET	1				0.01	0.022
350	12499-44700	COMP.CHAMBER	1				0.12	0.264
360	12499-44710	WASHER PLAIN	1				0.001	0.0022
370	12499-83500	SOLENOID	1				0.06	0.132
380	12499-44850	SPRING	1				0.01	0.022
390	12499-44860	SCREW CR-REC-PAN-HD	1				0.01	0.022

SPEED CONTROL PLATE

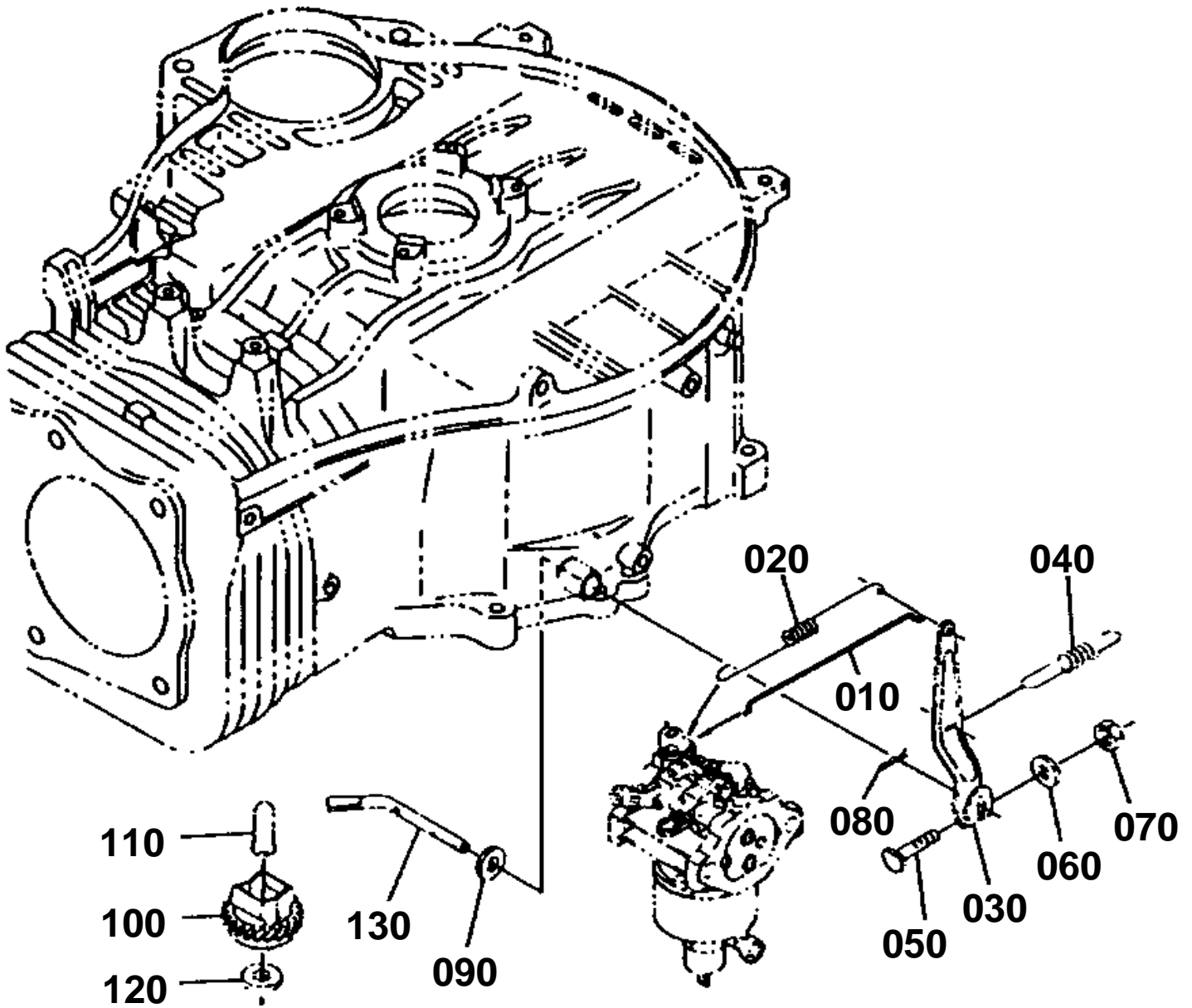


12498-009-10

**SPEED CONTROL PLATE**

↔ Interchangeable; ≠ not interchangeable; ← new for old; → old for new

REF.No	Part No.	Description	Q'ty	S.No.	I/C	REMARKS	Weight (kgf)	Weight (lb)
010	12499-57180	COMP.LEVER CONTROL	1				0.17	0.374
020	12499-57190	BRACKET	1				0.004	0.0088
030	12499-57310	NUT	1				0.004	0.0088
040	12499-57320	CLAMP	1				0.005	0.011
050	12499-57330	SPRING	1				0.01	0.022
060	12499-5734	SPRING	1				0	0
070	12499-57350	SPRING	1				0.001	0.0022
080	12499-57360	SPRING	1				0.005	0.011
090	12499-57370	BOLT	1				0.004	0.0088
100	12499-57380	BOLT FLANGE	1				0.004	0.0088
110	12499-57390	SCREW CR-REC-PAN-HD	1				0.002	0.0044
120	12499-57410	SCREW CR-REC-PAN-HD	1				0.002	0.0044
130	12499-57420	SCREW CR-REC-PAN-HD	1				0.002	0.0044
140	12499-57172	WASHER PLAIN	2				0	0
150	12499-57160	BOLT	1				0	0
160	12499-57130	COLLAR	2				0.026	0.0572
170	12499-57810	ROD CHOKE	1				0.01	0.022



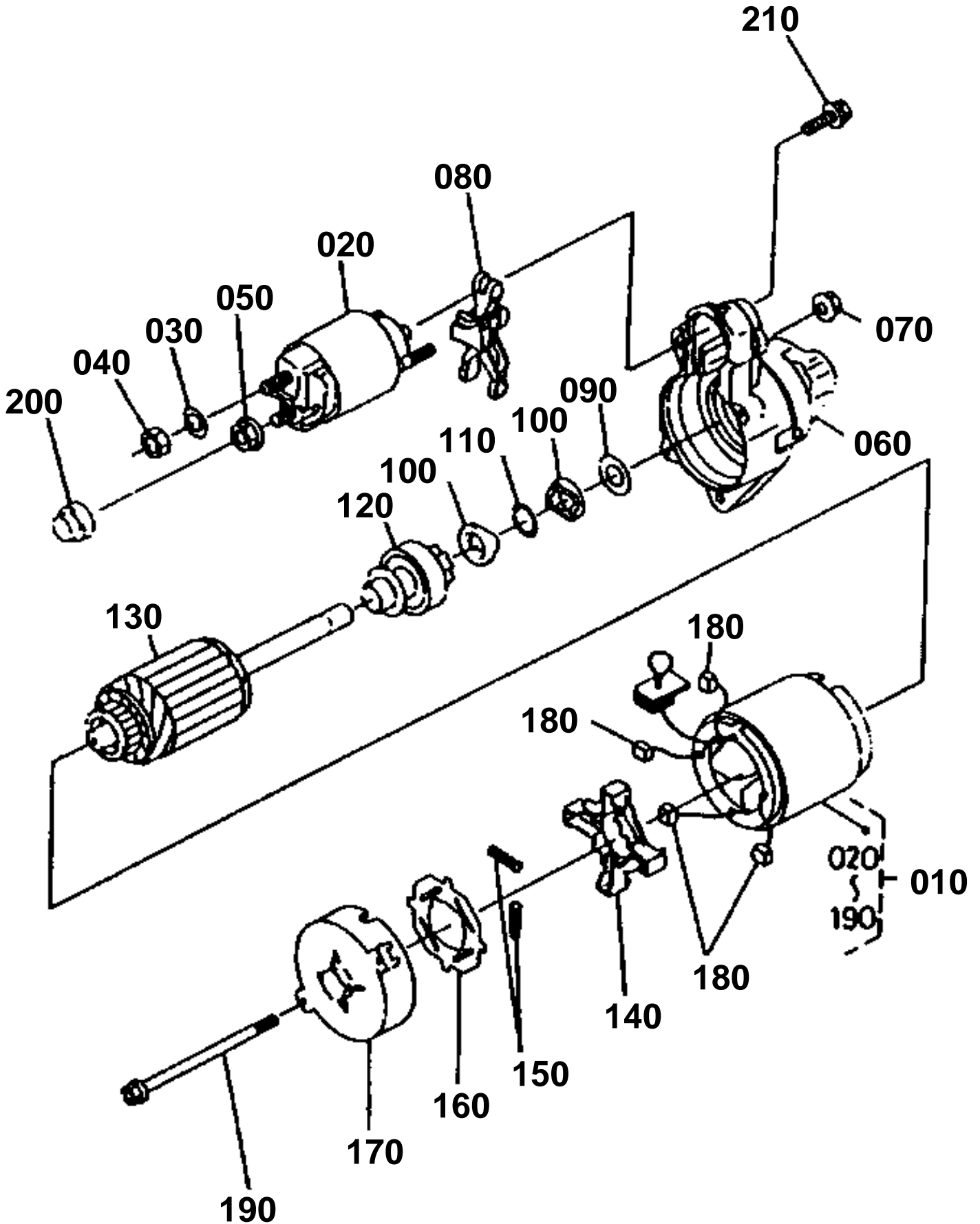
12498-010-10

**GOVERNOR**

↔ Interchangeable; ≠ not interchangeable; ← new for old; → old for new

REF.No	Part No.	Description	Q'ty	S.No.	I/C	REMARKS	Weight (kgf)	Weight (lb)
010	12499-57820	ROD GOVERNOR	1				0.01	0.022
020	12499-56390	SPRING	1				0.01	0.022
030	12499-56110	LEVER GOVERNOR	1				0.043	0.0946
040	12499-56410	SPRING	1				0.01	0.022
050	12499-56120	BOLT	1				0.009	0.0198
060	12499-56130	WASHER PLAIN	1				0.001	0.0022
070	12499-56140	NUT	1				0.002	0.0044
080	12499-56150	PIN SNAP	1				0.001	0.0022
090	12499-56160	WASHER PLAIN	1				0.001	0.0022
100	12499-55290	COMP.GEAR GOVERNOR	1				0.04	0.088
110	12499-55450	SLEEVE GOVERNOR	1				0.005	0.011
120	12499-55460	WASHER PLAIN	1				0.001	0.0022
130	12499-56170	SHAFT GOV.LEVER	1				0.02	0.044

STARTER (COMPONENT PARTS)



12498-011-10

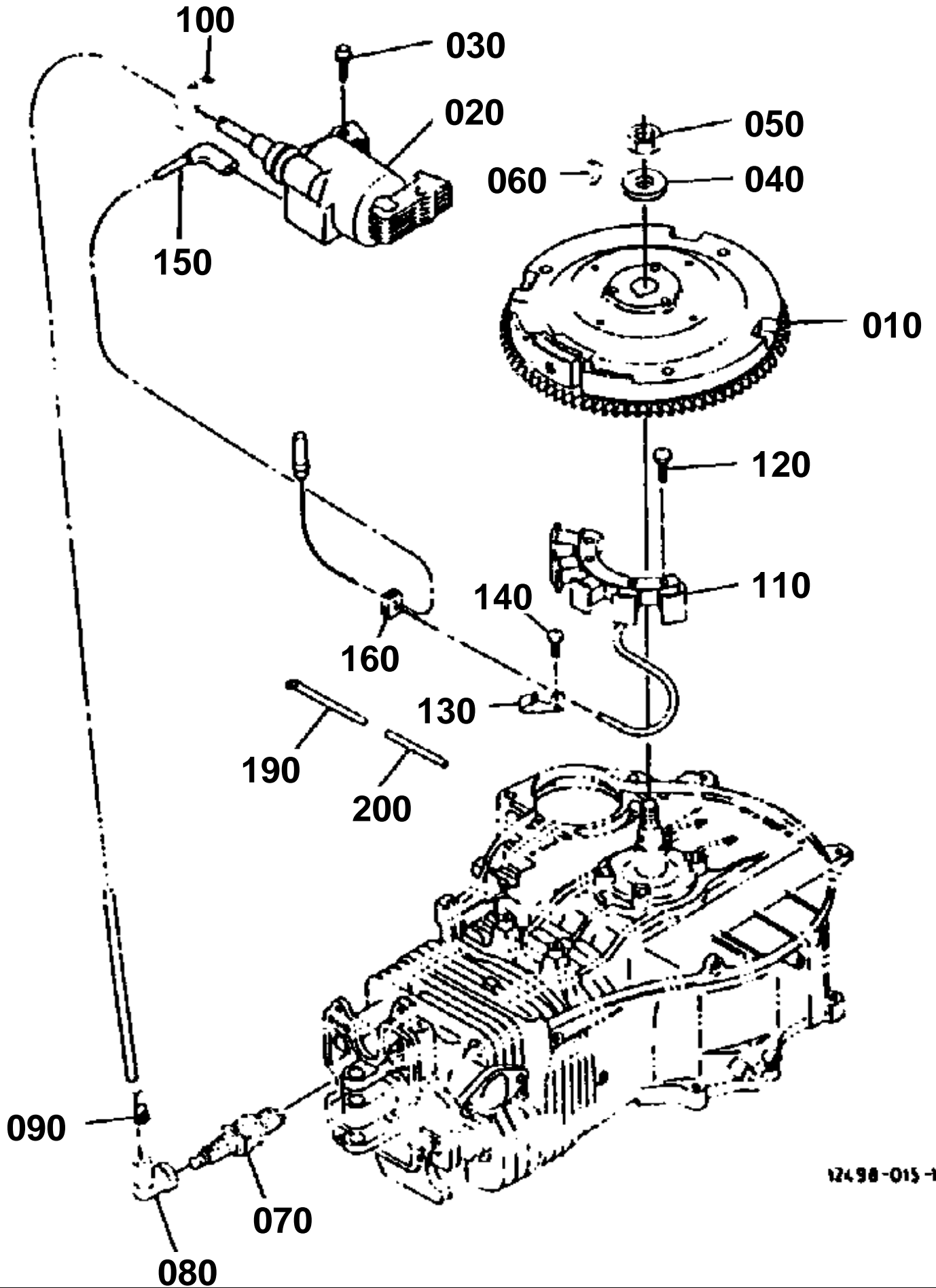


STARTER (COMPONENT PARTS)

↔ Interchangeable; ≠ not interchangeable; ← new for old; → old for new

REF.No	Part No.	Description	Q'ty	S.No.	I/C	REMARKS	Weight (kgf)	Weight (lb)
010	12498-63010	STARTER	1				3.18	6.996
020	12499-63020	SWITCH	1				0.6	1.32
030	12499-63030	WASHER SPRING	1				0.002	0.0044
040	12499-63080	NUT	1				0.004	0.0088
050	12499-63130	NUT	1				0.004	0.0088
060	12498-63060	ASSY COVER	1				0.3	0.66
070	12499-63140	NUT	2				0.003	0.0066
080	12499-63050	LEVER SHIFT	1				0.02	0.044
090	12499-63090	WASHER PLAIN	1				0.001	0.0022
100	12499-63110	STOPPER	2				0.012	0.0264
110	12499-63120	PIN SNAP	1				0.001	0.0022
120	12499-63040	ASSY CLUTCH	1				0.2	0.44
130	12499-63070	ARMATURE	1				0.8	1.76
140	12499-63380	HOLDER BRUSH	1				0.015	0.033
150	12499-63390	SPRING BRUSH	4				0.01	0.022
160	12499-63680	INSULATOR	1				0.005	0.011
170	12499-63450	ASSY COVER	1				0.112	0.2464
180	12499-63440	BRUSH	4				0.01	0.022
190	12499-63430	BOLT	2				0.016	0.0352
200	12499-63670	COVER	1				0.002	0.0044
210	12499-63660	BOLT FLANGE	2				0.017	0.0374

MAGNETO



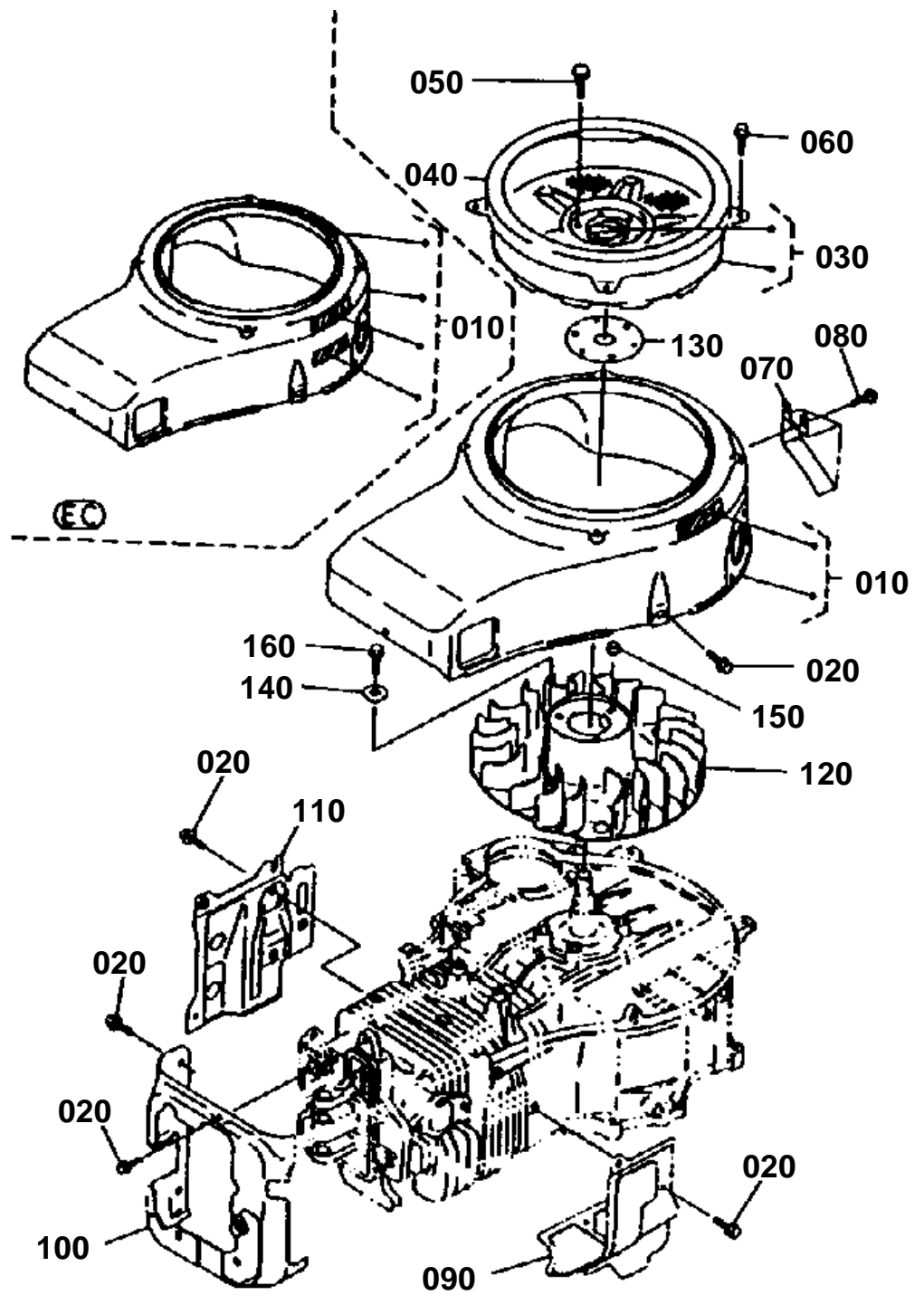
12498-015-10

**MAGNETO**

↔ Interchangeable; ≠ not interchangeable; ← new for old; → old for new

REF.No	Part No.	Description	Q'ty	S.No.	I/C	REMARKS	Weight (kgf)	Weight (lb)
010	12498-67050	ASSY FLYWHEEL	1				6	13.2
020	12498-67020	COIL IGNITION	1				0.21	0.462
030	12499-67020	BOLT FLANGE	2				0.004	0.0088
040	12498-67010	WASHER PLAIN	1				0.023	0.0506
050	12498-67040	NUT	1				0.035	0.077
060	12499-67050	KEY	1				0.003	0.0066
070	12499-67740	SPARK PLUG	1				0.05	0.11
080	12499-67720	CAP SPARK PLUG	1				0.01	0.022
090	12499-67730	TERMINAL	1				0.01	0.022
100	12499-67710	GROMMET	1				0.007	0.0154
110	12498-67070	COIL CHARGE	1				0.22	0.484
120	12489-67080	SCREW CR-REC-PAN-HD	2				0.005	0.011
130	12499-67090	CLAMP	1				0.002	0.0044
140	12499-05220	SCREW CR-REC-PAN-HD	1				0.002	0.0044
150	12498-68120	WIRE HARNESS	1				0.008	0.0176
160	12499-68120	GROMMET	1				0.002	0.0044
170	99999-99999	BLANK	0				0	0
180	99999-99999	BLANK	0				0	0
190	12499-68160	CLAMP	1				0.002	0.0044
200	12499-68172	TUBE	1				0	0

FAN COVER

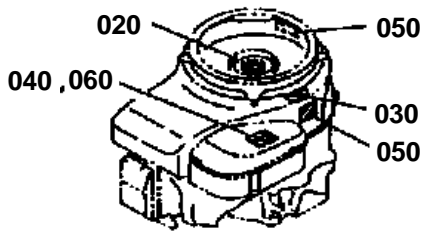


QJ58-013-11

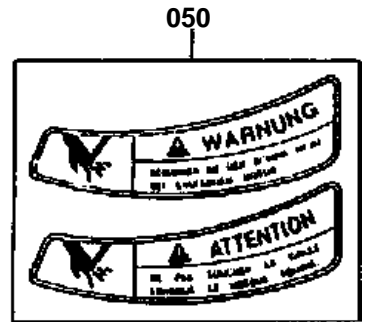
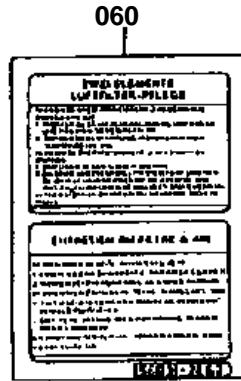
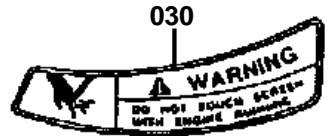
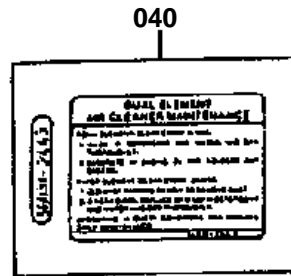
**FAN COVER**

↔ Interchangeable; ≠ not interchangeable; ← new for old; → old for new

REF.No	Part No.	Description	Q'ty	S.No.	I/C	REMARKS	Weight (kgf)	Weight (lb)
010	12498-85200	KIT COVER FAN	1				0	0
010	12498-85210	KIT COVER FAN	1			[EC]	0	0
020	12499-75320	BOLT FLANGE	12				0.009	0.0198
030	12498-85220	KIT COVER SCREEN	1				0.2	0.44
040	12498-75360	GUARD	1				0.2	0.44
050	12499-75350	SCREW CR-REC-PAN-HD	3				0.005	0.011
060	12499-35160	BOLT FLANGE	4				0.005	0.011
070	12498-75390	COVER	1				0.019	0.0418
080	12499-68150	SCREW CR-REC-PAN-HD	2				0.001	0.0022
090	12498-74480	COVER	1				0.22	0.484
100	12498-74470	COVER	1				0.35	0.77
110	12498-74490	COVER	1				0.177	0.3894
120	12498-74462	FAN	1				0	0
130	12499-74450	SHIM	1				0.036	0.0792
140	12499-74430	COLLAR	4				0.002	0.0044
150	12499-74420	COLLAR	3				0.001	0.0022
160	12499-36470	BOLT FLANGE	4				0.006	0.0132



010 { 020
040



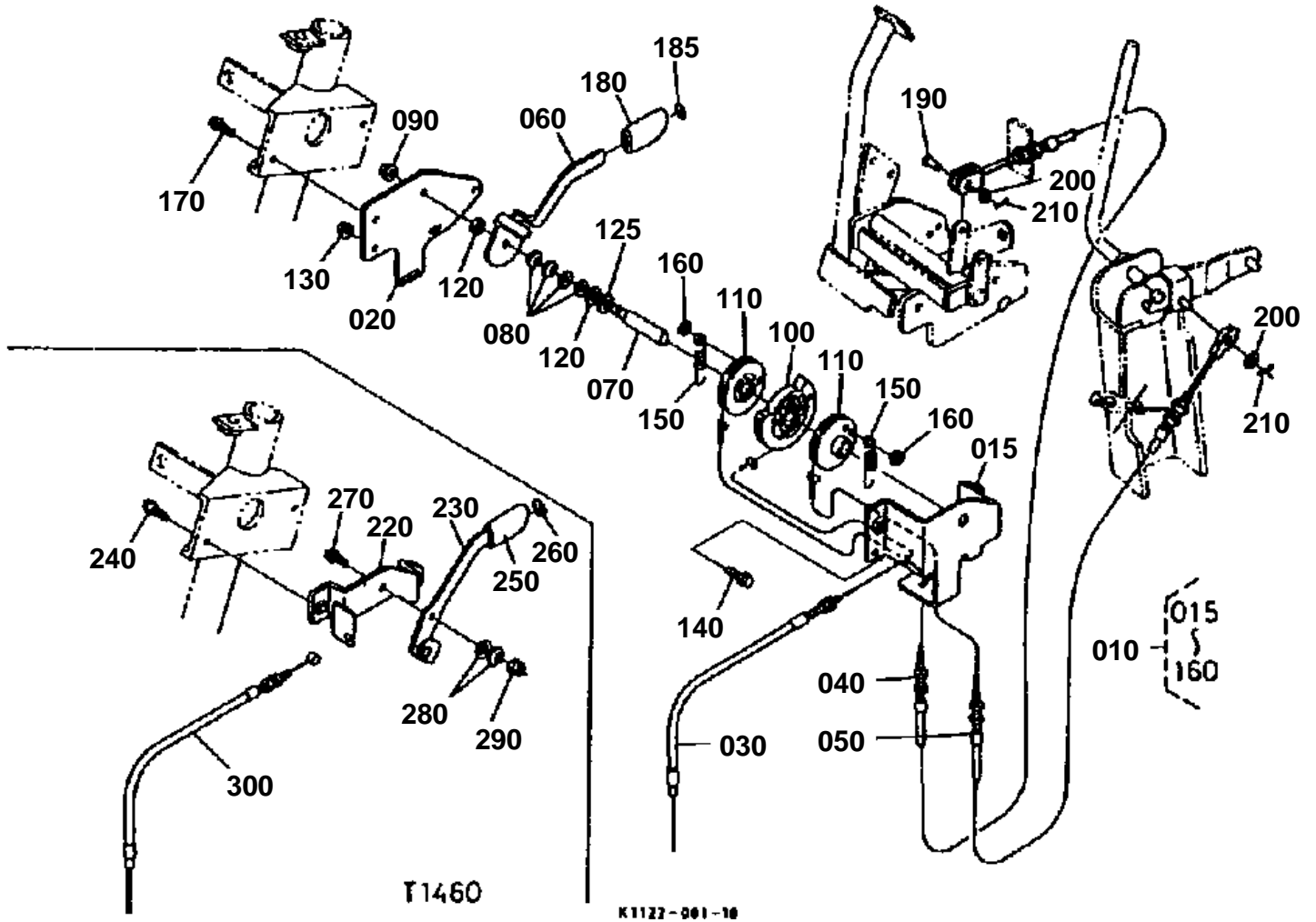
12401-014-11

**LABEL (ENGINE)**

↔ Interchangeable; ≠ not interchangeable; ← new for old; → old for new

REF.No	Part No.	Description	Q'ty	S.No.	I/C	REMARKS	Weight (kgf)	Weight (lb)
010	12499-47110	ASSY LABEL	1			ENGLISH	0	0
020	12499-47140	LABEL FAN WARNING	1				0.001	0.0022
030	12499-47152	LABEL	1			ENGLISH	0.001	0.0022
040	12499-47160	LABEL ELEMENT	1			ENGLISH	0.001	0.0022
050	12499-47170	LABEL SET	1			FRENCH/GERMAN[EC]	0.002	0.0044
060	12499-47180	LABEL SET	1			FRENCH/GERMAN[EC]	0.001	0.0022

ACCEL LEVER



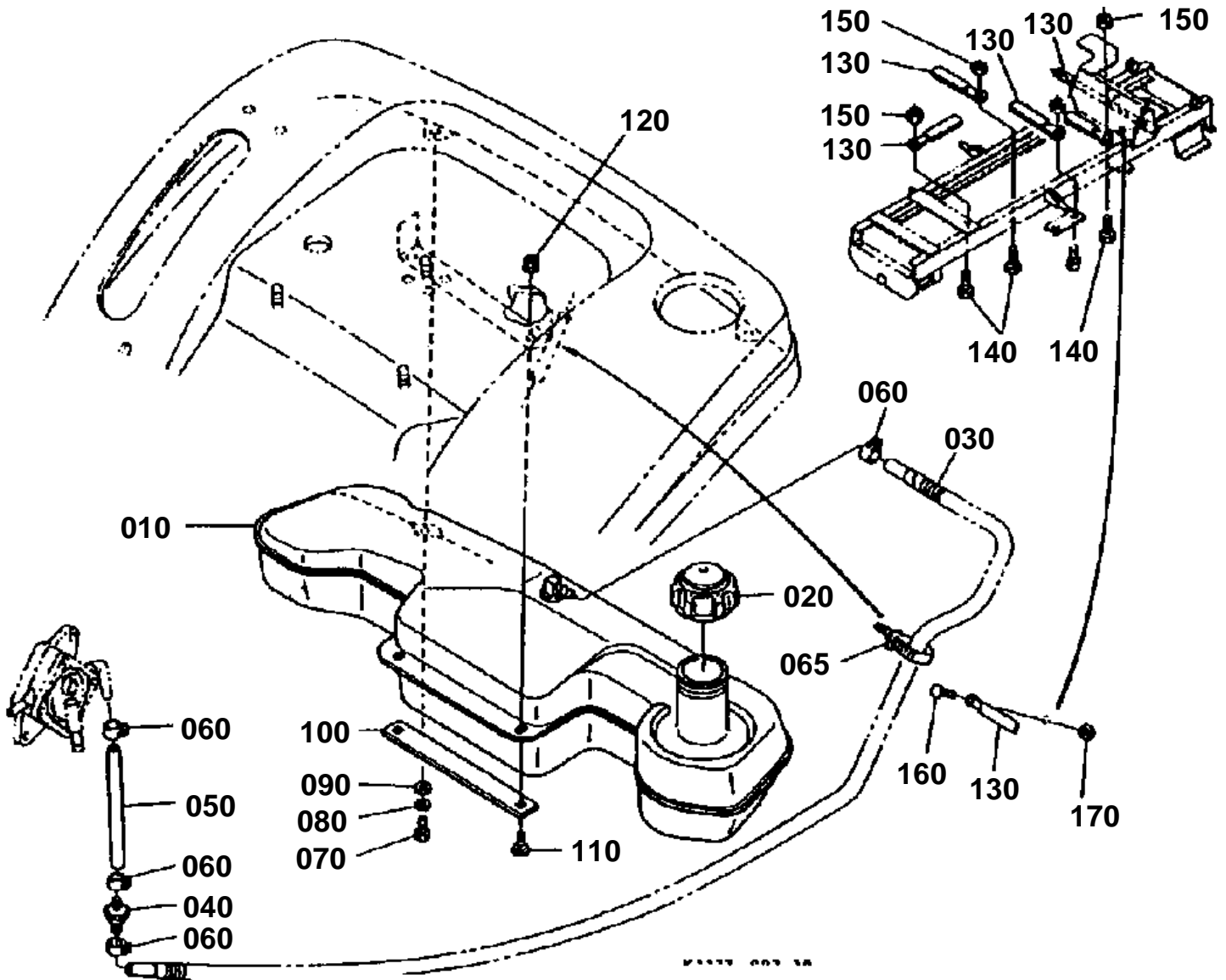


ACCEL LEVER

↔ Interchangeable; ≠ not interchangeable; ← new for old; → old for new

REF.No	Part No.	Description	Q'ty	S.No.	I/C	REMARKS	Weight (kgf)	Weight (lb)
010	K1122-45114	ASSY AUTOACCEL	1				0	0
015	K1122-89334	BRACKET 1 ATA	1				0	0
020	K1122-89343	BRACKET 2 ATA	1				0	0
030	K1122-89410	CABLE 1 ATA ENGINE	1				0.06	0.132
040	K1122-89422	CABLE 2 ATA SPEED	1				0	0
050	K1122-89433	CABLE 3 ATA PTO	1				0	0
060	K1122-89370	LEVER ATA	1				0.065	0.143
070	K1122-89312	SHAFT ATA	1				0	0
080	K1122-89472	DISK SPRING	4				0	0
090	K5112-72840	HEX LOCKNUT	1			(M8 X 1.25)	0.005	0.011
100	K1122-89350	PULLEY CENTER	1				0.025	0.055
110	K1122-89360	PULLEY SIDE	2				0.016	0.0352
120	K1122-89512	WASHER ATA	2				0	0
125	K1122-89530	WASHER ATA 2	1				0	0
130	02751-50060	NUT FLANGE	1			(M6 X 1.0)	0.005	0.011
140	01754-50616	BOLT FLANGE	1			(M6 X 1.0 X 16)	0.006	0.0132
150	K1122-89383	SPRING ATA	2				0	0
160	K1122-89480	NUT PUSH	2				0.001	0.0022
170	01754-50820	BOLT FLANGE	2			(M8 X 1.25 X 20)	0.015	0.033
180	K1122-45123	GRIP ACCEL	1				0	0
185	K1122-65240	MARK GRIP ACCEL	1				0.001	0.0022
190	75599-51112	PIN CLEVIS	1			(1/4 X 5/8)	0.005	0.011
200	75599-32011	WASHER PLAIN	2			(1/4)	0.001	0.0022
210	75599-53152	PIN COTTER	2				0	0

FUEL TANK

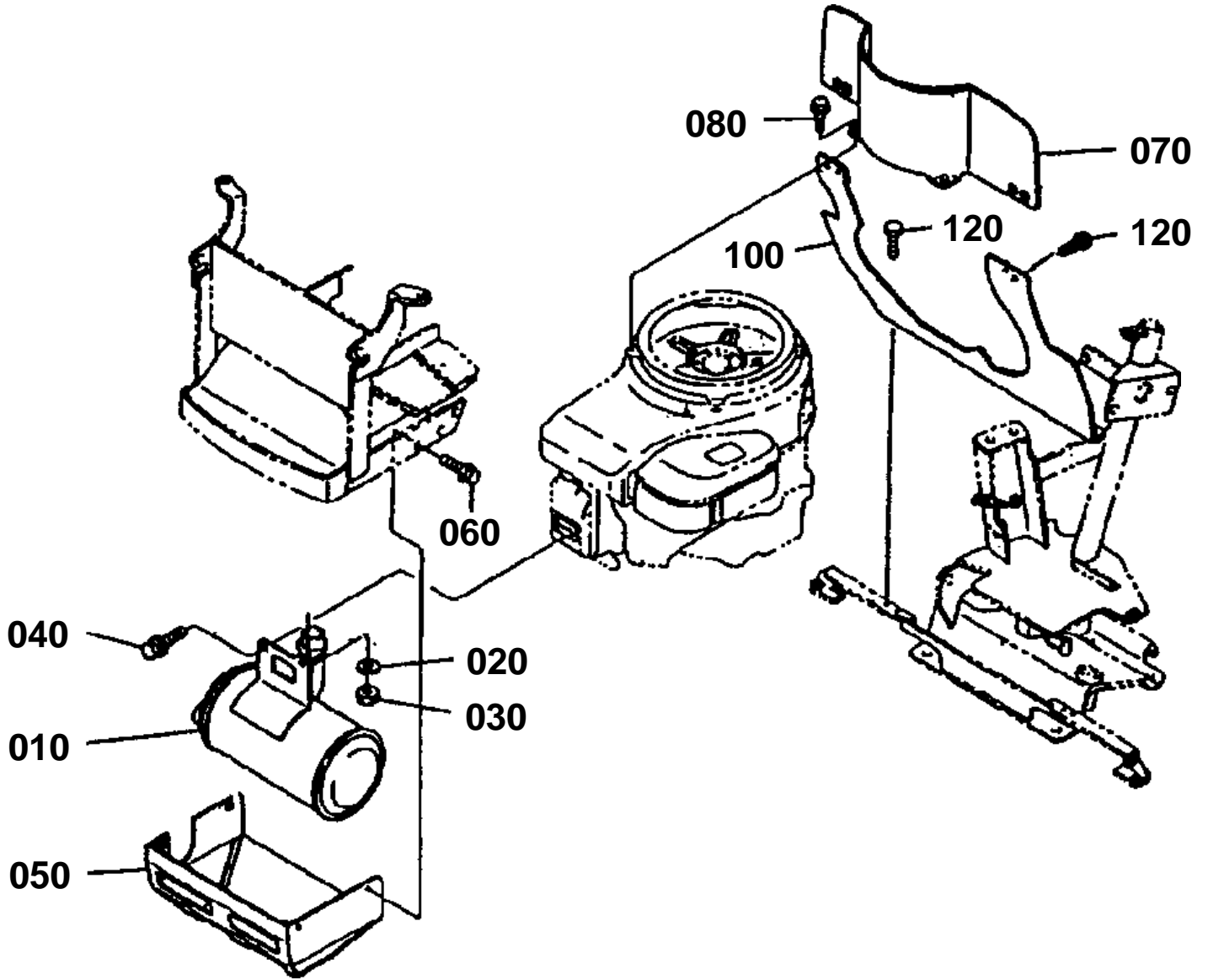


**FUEL TANK**

↔ Interchangeable; ≠ not interchangeable; ← new for old; → old for new

REF.No	Part No.	Description	Q'ty	S.No.	I/C	REMARKS	Weight (kgf)	Weight (lb)
010	K1221-24012	TANK FUEL	1				0	0
020	K1211-24120	CAP FUEL	1				0	0
030	K1122-24024	ASSY HOSE FUEL 1	1				0	0
040	K1122-24140	FILTER FUEL	1				0.006	0.0132
050	K1122-24152	HOSE FUEL 2	1				0	0
060	09318-88105	CLAMP HOSE	4				0.01	0.022
065	K1122-61230	CABLE TIE	1				0.001	0.0022
070	01053-51018	HEX BOLT	2			(M10)	0.02	0.044
080	04512-50100	WASHER LOCK	2			M10	0	0
090	K1122-21160	WASHER PLAIN	2				0.006	0.0132
100	K1122-24180	PLATE	1				0	0
110	K1122-91320	BOLT SHORT SQ	2				0.01	0.022
120	02751-50080	NUT FLANGE	2			(M8)	0.006	0.0132
130	13824-67590	CLAMP	5				0.002	0.0044
140	01754-50820	BOLT FLANGE	3			M8	0.015	0.033
150	02751-50080	NUT FLANGE	3			M8	0.006	0.0132
160	01754-50616	BOLT FLANGE	1			M6	0.006	0.0132
170	02751-50060	NUT FLANGE	1			M6	0.005	0.011

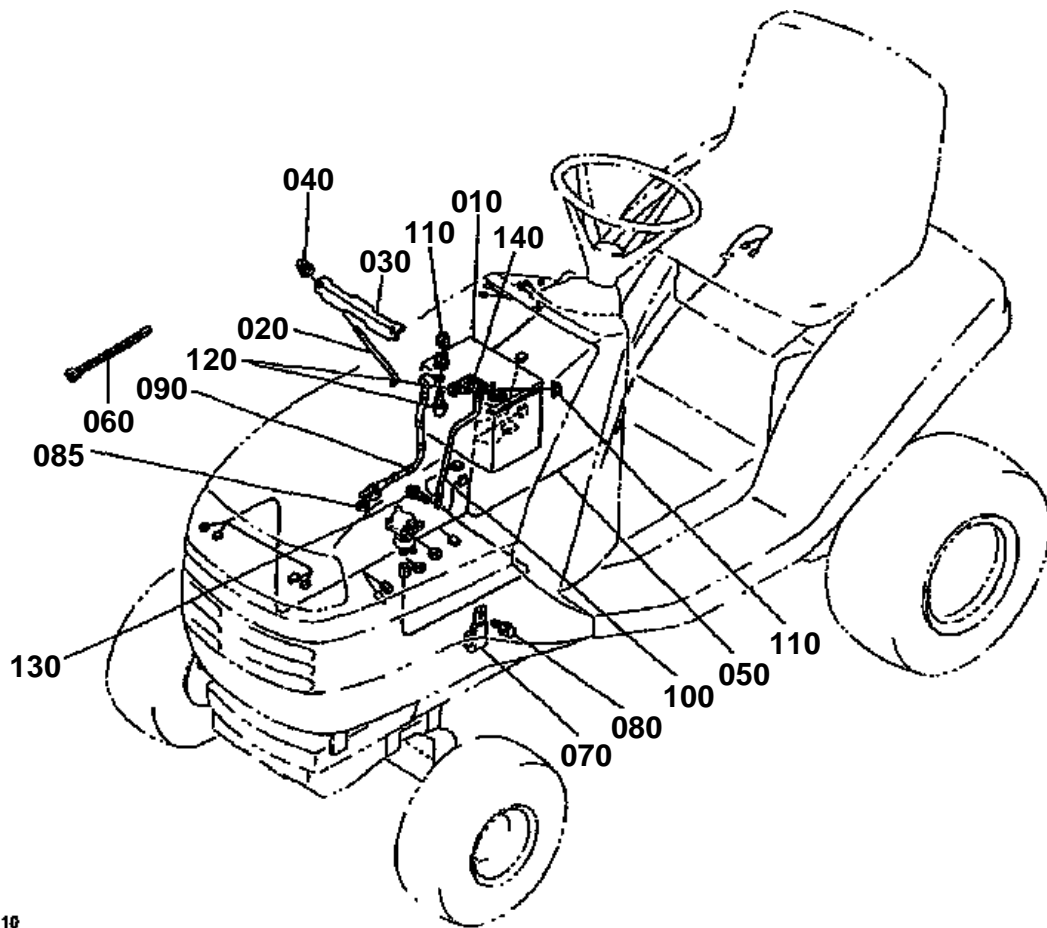
MUFFLER



**MUFFLER**

↔ Interchangeable; ≠ not interchangeable; ← new for old; → old for new

REF.No	Part No.	Description	Q'ty	S.No.	I/C	REMARKS	Weight (kgf)	Weight (lb)
010	K1122-25110	MUFFLER	1				2.25	4.95
020	75599-33012	WASHER SPRING LOCK	2			(5/16)	0.002	0.0044
030	02156-50080	HEX NUT	2			(M8 X 1.25)	0.004	0.0088
040	01754-50820	BOLT FLANGE	2			(M8 X 1.25 X 20)	0.015	0.033
050	K1122-25210	COVER MUFFLER	1				0.65	1.43
060	01754-50616	BOLT FLANGE	4			(M6 X 1.0 X 16)	0.006	0.0132
070	K1132-25310	PLATE SHUTTER 1	1				0	0
080	03004-50612	SCREW WITH WASHER	2			(M6 X 1.0 X 19)	0.005	0.011
100	K1132-25360	PLATE SHUTTER	1				0	0
120	K1211-84561	PUSH RIVET	8				0	0

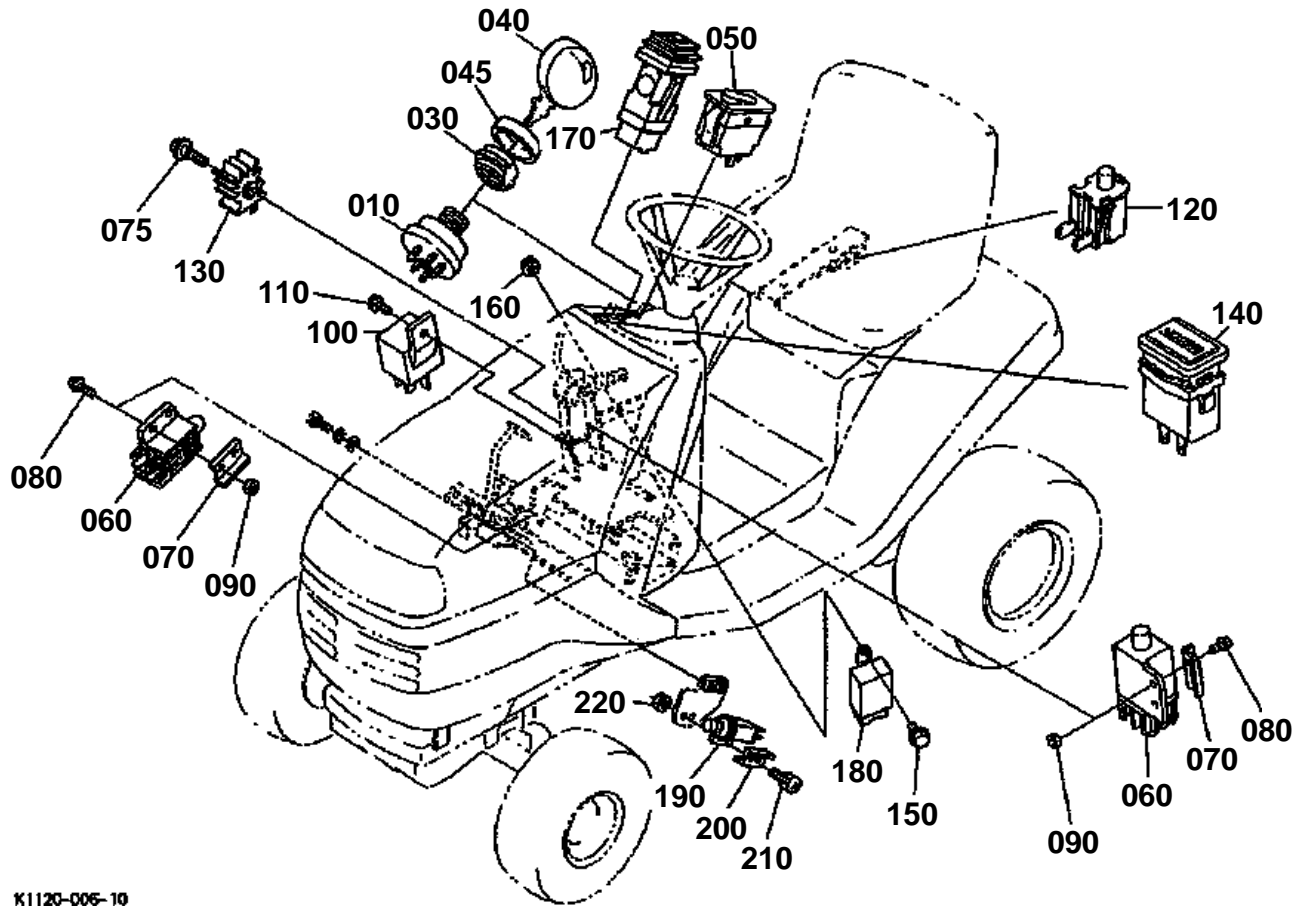


K1120-001-10

**BATTERY/WIRE HARNESS**

↔ Interchangeable; ≠ not interchangeable; ← new for old; → old for new

REF.No	Part No.	Description	Q'ty	S.No.	I/C	REMARKS	Weight (kgf)	Weight (lb)
010	K1221-95610	BATTERY DRY	1				0	0
020	K1122-61132	ROD BATTERY	2				0	0
030	K1122-61120	HOLDER BATTERY	1				0.22	0.484
040	02751-50060	NUT FLANGE	2			(M6 X 1.0)	0.005	0.011
050	K1122-61229	ASSY WIRE HARNESS	1	<=49999			0	0
050	K1132-61510	ASSY WIRE HARNESS	1	>=50001	≠		0	0
060	K1122-61230	CABLE TIE	14				0.001	0.0022
070	13824-67590	CLAMP	1				0.002	0.0044
080	01754-50816	BOLT FLANGE	1			(M8 X 1.25 X 16)	0.011	0.0242
085	02751-50080	NUT FLANGE	1			(M8 X 1.25)	0.006	0.0132
090	K1122-61313	CABLE BATTERY (+)	1				0	0
100	K1122-61353	CABLE BATTERY (-)	1				0	0
110	02751-50060	NUT FLANGE	2			(M6 X 1.0)	0.005	0.011
120	01754-50616	BOLT FLANGE	2			(M6 X 1.0 X 16)	0.006	0.0132
130	01754-50816	BOLT FLANGE	2			(M8 X 1.25 X 16)	0.011	0.0242
140	K1221-61170	LABEL	1	>=50001			0	0



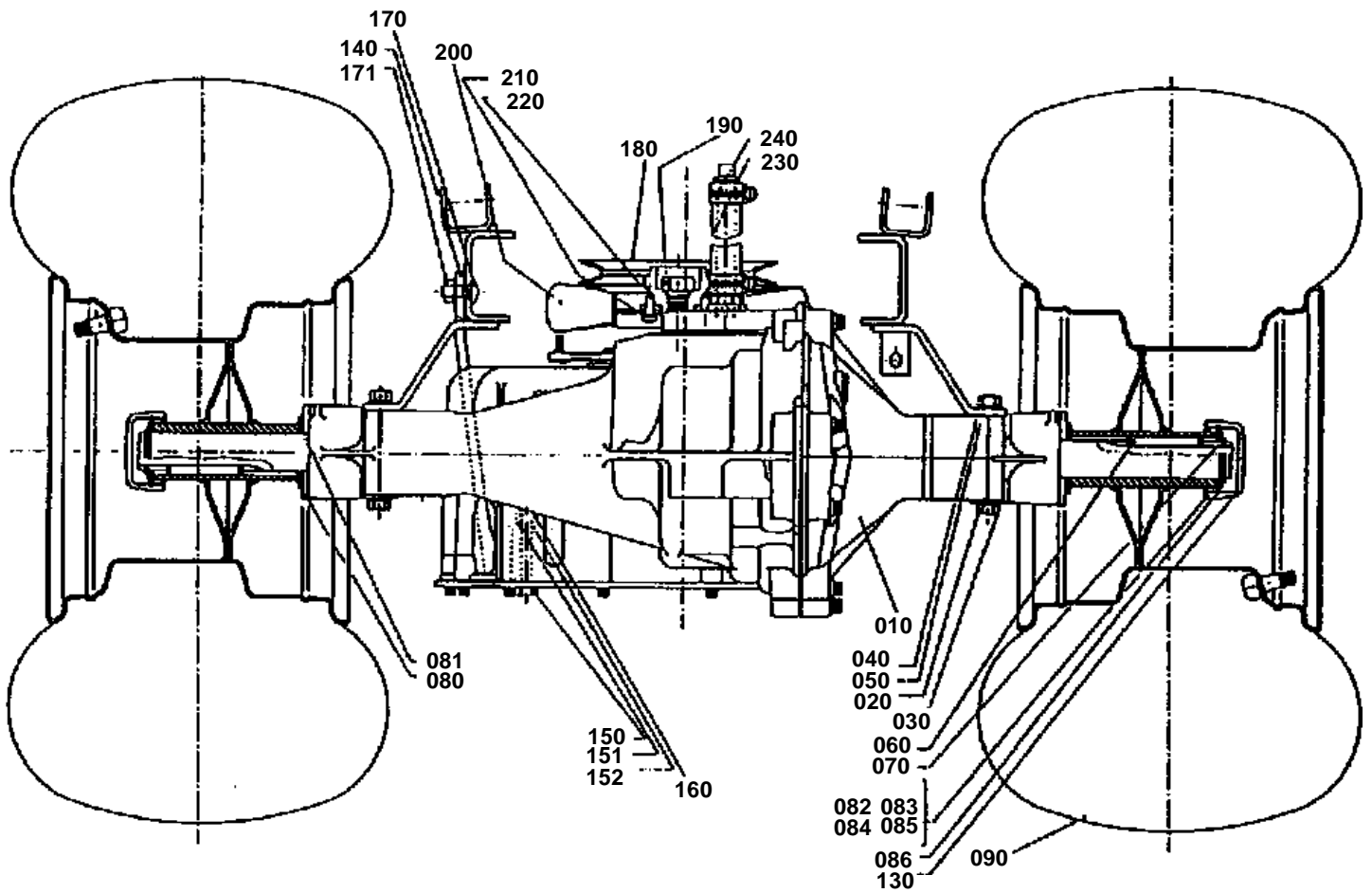
K1120-005-10



ELECTRICAL SYSTEM

↔ Interchangeable; ≠ not interchangeable; ← new for old; → old for new

REF.No	Part No.	Description	Q'ty	S.No.	I/C	REMARKS	Weight (kgf)	Weight (lb)
010	K1122-62112	SWITCH MAIN	1				0	0
020	99999-99999	BLANK	0				0	0
030	K1122-62152	NUT SWITCH MAIN	1				0	0
040	K1122-62132	KEY MAIN SWITCH	2				0	0
045	K1122-62160	COVER MAIN SWITCH	2				0.004	0.0088
050	K1122-62210	SWITCH LIGHT	1				0.018	0.0396
060	K1122-62252	SWITCH SAFETY	2				0	0
070	K1122-62314	RETAINER SWITCH	2				0	0
075	03004-50640	SCREW WITH WASHER	1			(M6 X 1.0 X 40)	0.01	0.022
080	03024-50520	SCREW WITH WASHER	4			(M5 X 0.8 X 20)	0.004	0.0088
090	02054-50050	HEX NUT	4			(M5 X 0.8)	0.002	0.0044
100	K1122-62260	RELAY	1				0.04	0.088
110	03004-50640	SCREW WITH WASHER	1			(M6 X 1.0 X 40)	0.01	0.022
120	K1122-62282	SWITCH SEAT	1				0	0
130	12489-64600	COMP. REGULATOR	1				0.03	0.066
140	K1122-95822	METER HOUR	1			OPTION. EXCEPT[AU]	0	0
140	K1142-62510	METER HOUR	1			[AU]	0	0
150	01754-50616	BOLT FLANGE	1	≧≠50001			0.006	0.0132
160	02751-50060	NUT FLANGE	1	≧≠50001			0.005	0.011
170	K2110-62810	SWITCH NMR	1	≧≠50001			0	0
180	K2110-62830	RELAY UNIT NMR	1	≧≠50001			0	0
190	K2110-62840	SWITCH REVERSE	1	≧≠50001			0	0
200	K1122-62310	RETAINER SWITCH	1	≧≠50001			0.003	0.0066
210	03024-50520	SCREW WITH WASHER	2	≧≠50001			0.004	0.0088
220	02054-50050	NUT	2	≧≠50001			0.002	0.0044

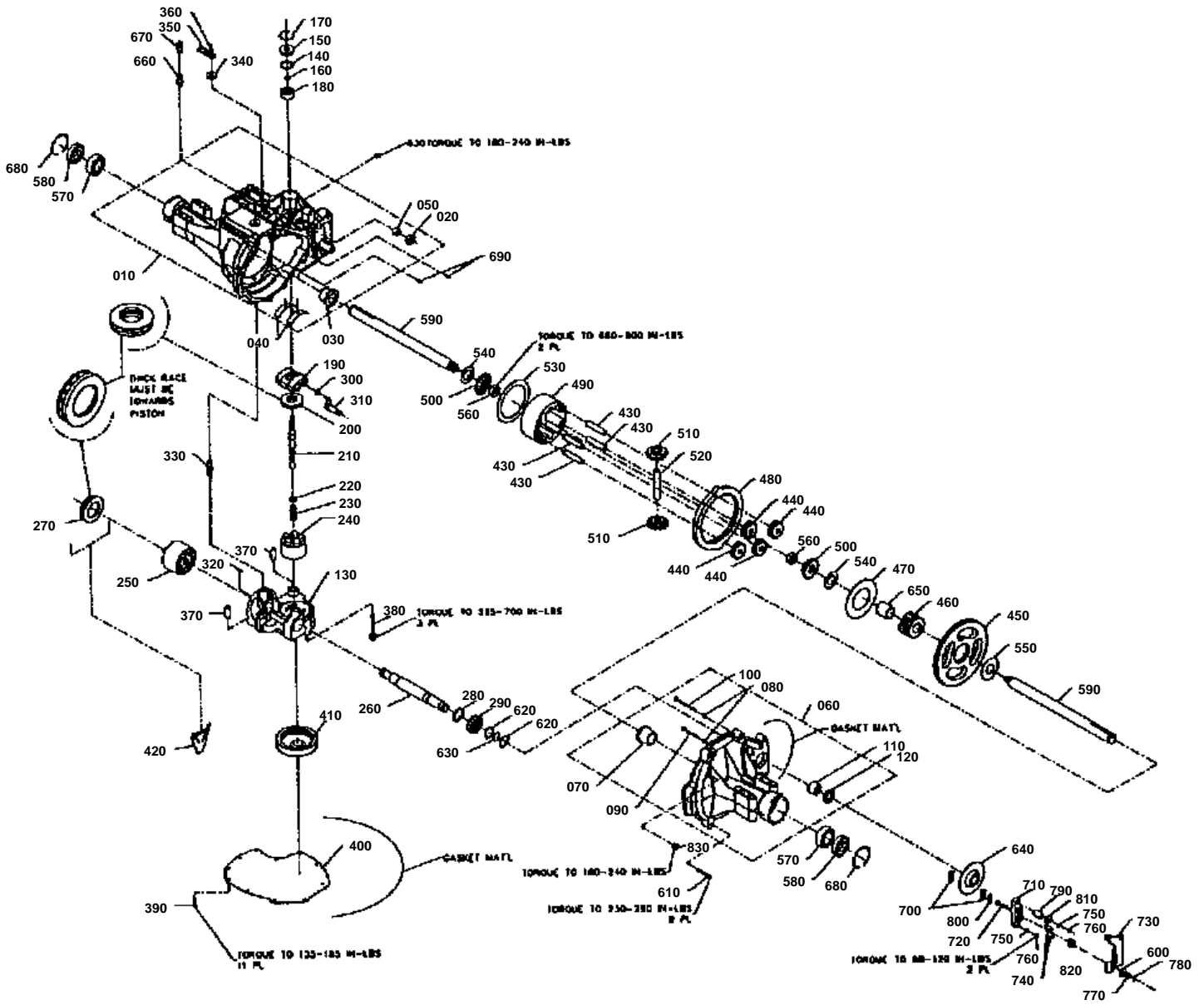


**HST/REAR WHEEL**

↔ Interchangeable; ≠ not interchangeable; ← new for old; → old for new

REF.No	Part No.	Description	Q'ty	S.No.	I/C	REMARKS	Weight (kgf)	Weight (lb)
010	K1132-11111	ASSY HST TRANSAXLE	1				0	0
020	01053-50875	HEX.BOLT	4			(M8 X 1.25 X 65)	0.03	0.066
030	K5112-72830	WASHER PLAIN	4				0.005	0.011
040	02054-50080	HEX.NUT	4			(M8 X 1.25)	0.005	0.011
050	75599-33012	WASHER SPRING LOCK	4			(5/16)	0.002	0.0044
060	K1142-11210	KEY REAR AXLE	2				0	0
070	K1132-11720	RING RETAINING	2			(E TYPE)	0	0
080	K1132-11170	WASHER WHEEL	2			1.50MM	0	0
081	K1132-11740	WASHER CAP	2			3.25MM	0	0
082	K1142-11240	WASHER 1	2			0.75MM	0	0
083	K1142-11250	WASHER 2	2			2.25MM	0	0
084	K1142-11260	WASHER 3	2			1.50MM	0	0
085	K1142-11270	WASHER 4	2				0	0
086	K1142-11740	WASHER CAP	2				0	0
090	K1132-11710	ASSY TIRE WHEEL REAR	2				0	0
100	K1132-11810	TIRE	2			18 X 8.50-8	0	0
110	K1132-11820	WHEEL	2			10.00-8	0	0
120	K1122-11830	VALVE STEM	2				0.009	0.0198
130	K1122-15780	CAP FRONT WHEEL	2			(O.D 42.2MM)	0.02	0.044
140	K1132-11850	PLATE TORQUE STRAP	1				0	0
150	01053-50855	BOLT FLANGE	1			(M8 X 1.25 X 55)	0.022	0.0484
151	75599-33012	WASHER LOCK	1				0.002	0.0044
152	K5112-72831	WASHER PLAIN	1				0	0
160	02054-50080	HEX NUT	2			(M8 X 1.25)	0.005	0.011
170	K1122-91320	BOLT SHORT SQU.NECK	1				0.01	0.022
171	02751-50080	NUT FLANGE	1				0.006	0.0132
180	K1122-11134	PULLY HST	1				0	0
180	K1123-11130	PULLY HST	1			[EC]	0.8	1.76
190	K1122-11150	NUT CONICAL	1				0.017	0.0374
200	K1143-11140	FAN	1				0.001	0.0022
210	75599-32208	WASHER PLAIN	3			(#10)	0	0
220	03024-50512	SCREW WITH WASHER	3			(M5 X 0.8 X 16)	0.003	0.0066
230	K1211-11160	TUBE BREATHER	1				0	0
240	K1211-11170	CLAMP HOSE	2				0	0
290	66190-56472	CAP WHEEL 8	2			OPTION	0	0
300	66190-17480	LABEL	2			OPTION	0.005	0.011

HST/(COMPONENT PARTS)





HST/(COMPONENT PARTS)

↔ Interchangeable; ≠ not interchangeable; ← new for old; → old for new

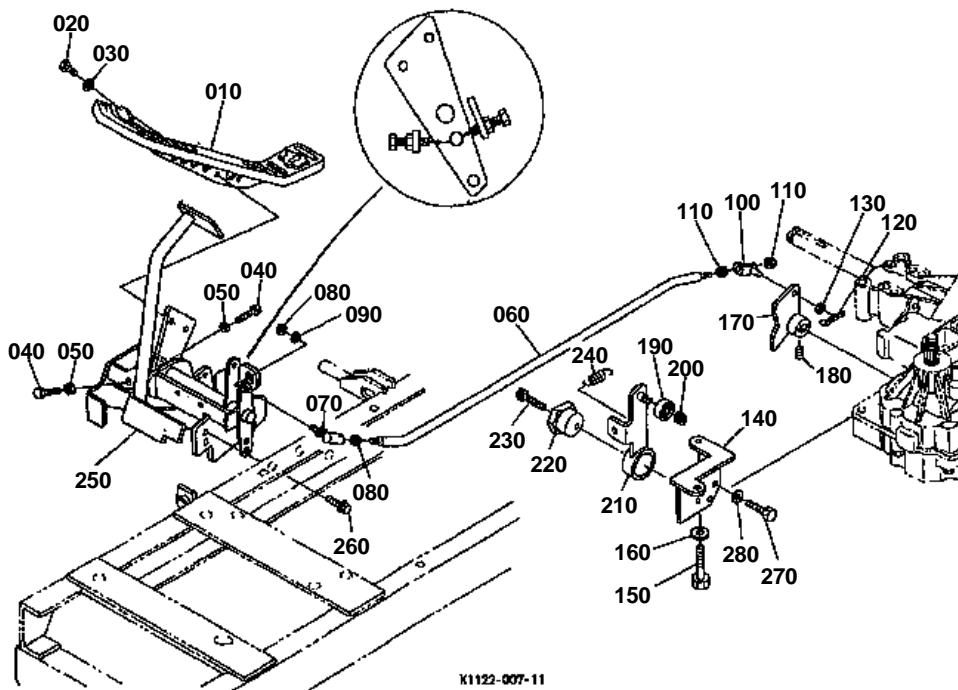
REF.No	Part No.	Description	Q'ty	S.No.	I/C	REMARKS	Weight (kgf)	Weight (lb)
010	K1211-80931	MAIN HOUSING ASSEMBL	1				0	0
020	K1122-81491	SEAL LIP	1				0	0
030	K1211-81851	FLANGE BEARING	1				0	0
040	K1122-81071	BEARING-CRADLE	2				0	0
050	K1211-81641	TRUNNION BUSHING	1				0	0
060	K1211-81021	R.H.HOUSING ASSEMBLY	1				0	0
070	K1211-81851	FLANGE BEARING	1				0	0
080	K1211-81891	ORING	2			0.070 X 0.239	0	0
090	K1211-81951	RIB NECK BOLT 2	1				0	0
100	K1211-81401	RIB NECK BOLT 3	1				0	0
110	K1211-81881	NEEDLE BEARING	1				0	0
120	K1211-81191	LIP SEAL	1				0	0
130	K1132-81181	CENTER SECTION ASSEM	1				0	0
140	K1211-81601	SPACER	1				0	0
150	K1122-81031	SEAL-LIP	1				0	0
160	K1122-81041	RING-WIRE RETAINING	1				0	0
170	K1122-81051	RING-RETAINING	1				0	0
180	K1122-81061	BEARING-SHAFT BALL	1				0	0
190	K1122-81091	SWASHPLATE-VARIABLE	1				0	0
200	K1211-81081	THRUST BEARING	1			30 X 52 X 13	0	0
210	K1122-81351	SHAFT-NIPUT	1				0	0
220	K1122-81441	WASHER BLOCK THURST	1				0	0
230	K1122-81431	SORING BLOCK	1				0	0
240	K1122-81101	BLOCK-CYLINDER ASSY.	1				0	0
250	K1122-81151	BLOCK-CYLINDER(MOTOR	1				0	0
260	K1211-81131	OUTPUT(MOTOR)SHAFT	1				0	0
270	K1211-81141	THRUST BEARING	1			42 X 6	0	0
280	K1211-81611	SPACER	1				0	0
290	K1211-81621	16T PINION GEAR	1				0	0
300	K1122-81121	GUIDE-SLOT	1				0	0
310	K1122-81111	ARM-TRUNNION	1				0	0
320	K1122-81521	PLATE BYPASS	1				0	0
330	K1122-81171	ACTUATOR-BYPASS	1				0	0
340	K1122-81161	SEAL-LIP	1			10 X 25 X 7	0	0
350	K1122-81231	ARM-BYPASS	1				0	0
360	K1122-81241	RING-RETAINING	1				0	0
370	K1122-81371	PIN	2			.50DX.43 IDX.750	0	0
380	K1122-81541	BOLT	3			3/8-24 UNF X 2.5	0	0
390	K1211-81671	SCREW-SELF TAPPING	11				0	0
400	K1132-81681	LOWER COVER	1				0	0
410	K1132-81221	OIL FILTRE ELEMENT	1				0	0
420	K1211-81731	RETAINER MOTOR BEARI	1				0	0
430	K1211-81741	PIN CARRIER	4				0	0
440	K1211-81751	15T PLANET GRAR	4				0	0
450	K1211-81761	67T SPUR GEAR	1				0	0
460	K1211-71771	21 TOOTH SUN GEAR	1				0	0
470	K1211-81781	PLANET THRUST PLATE	1				0	0
480	K1211-81791	51T RING GEAR	1				0	0
490	K1211-81801	PLANETARY CARRIER	1				0	0
500	K1211-81811	MITER GEAR DIFF.SOLI	2				0	0
510	K1211-81821	MITER GEAR DIFF.	2				0	0
520	K1211-81831	SHAFT FIFFERENTIAL	1				0	0
530	K1211-81841	DIFF.THRUST PLATE	1				0	0
540	K1211-81411	WASHER	2				0	0
550	K1211-81331	WASHER	1				0	0
560	K1211-81321	HEX JAM NUT	2			5/8-18	0	0
570	K1211-81421	BALL BEARING	2			6205-1	0	0
580	K1211-81341	SEAL 1	2			IDX2.0472 X 0.375	0	0
590	K1132-81861	SHAFT ANXLE	2				0	0

**HST/(COMPONENT PARTS)**

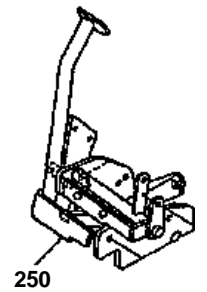
↔ Interchangeable; ≠ not interchangeable; ← new for old; → old for new

REF.No	Part No.	Description	Q'ty	S.No.	I/C	REMARKS	Weight (kgf)	Weight (lb)
600	K1122-81301	WASHER	1			7/16 X 7/8 X .060	0	0
610	K1211-81361	TORX HEAD SXREW	9			5/16-18	0	0
620	K1211-81211	WASHER	2				0	0
630	K1211-81201	RETAINING RING	1				0	0
640	K1211-81291	BRAKE DISK	1				0	0
650	K1211-81901	SLEEVE BEARING	1				0	0
660	K1122-81461	FITTING-ORING ASSEMB	1				0	0
670	K1122-81451	CAP-VENT ASSEMBLY	1				0	0
680	K1211-81051	RETAINING RING	2				0	0
690	K1211-81911	STD HDLS PIN	2				0	0
700	K1211-81941	PUCK BRAKE	2				0	0
710	K1211-81961	BRAKE YAKE	1				0	0
720	K1211-81271	BOLT SQUARE HEAD	1				0	0
730	K1132-81251	ARM BRAKE	1				0	0
740	K1211-81261	PINS BRAKE	2				0	0
750	K1211-81301	LOCKWASHER	2				0	0
760	K1211-81511	NUT	2			1/4-20	0	0
770	K1122-81471	CASTLE NUT	1			5/16-24	0	0
780	K1122-81481	COTTER PIN	1				0	0
790	K1211-81971	SPACER	1				0	0
800	K1211-81521	PUCK PLATE	1				0	0
810	K1211-81441	WASHER	1				0	0
820	K1211-81501	COMP.SPRING BRAKE	1				0	0
830	K1211-81031	PLUG SRT.THR	2				0	0

SPEED CHANGE PEDAL



250 K1132-4301-0



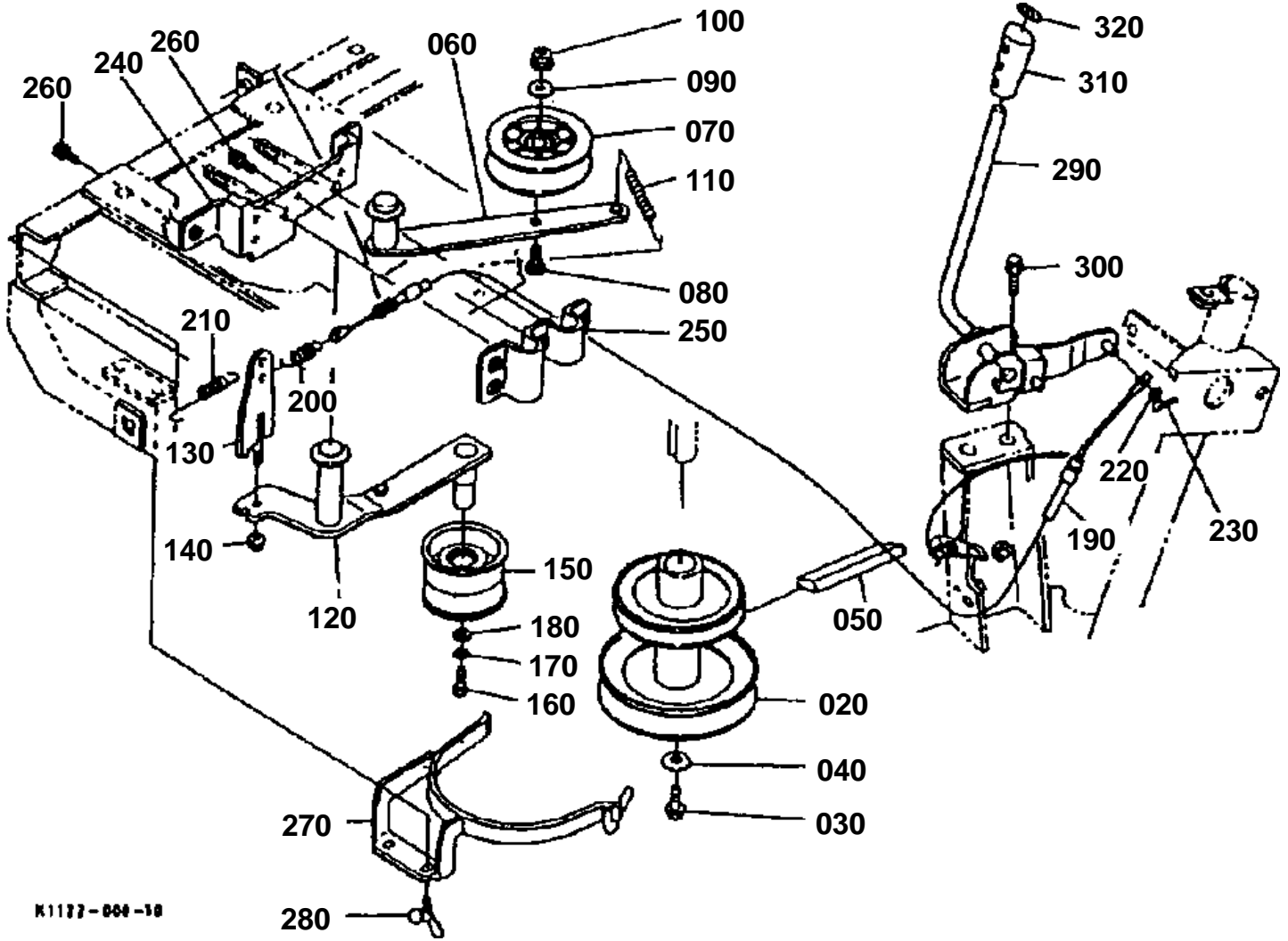
K1122-800-10

**SPEED CHANGE PEDAL**

↔ Interchangeable; ≠ not interchangeable; ← new for old; → old for new

REF.No	Part No.	Description	Q'ty	S.No.	I/C	REMARKS	Weight (kgf)	Weight (lb)
010	K1122-42010	PEDAL SPEED CHANGE	1				0.54	1.188
020	01053-50818	HEX BOLT	2				0.011	0.0242
030	75599-33012	WASHER SPRING LOCK	2				0.002	0.0044
040	01155-50840	HEX BOLT FULL THD.	2			(M8 X 1.25 X 40)	0.02	0.044
050	02054-50080	HEX.NUT	2			(M8 X 1.25)	0.005	0.011
060	K1132-42020	ROD SPEED CHANGE	1				0	0
070	K1122-42083	ROD END	1			5/16-24	0	0
080	75599-31022	HEX. NUT	2			(5/16-24UNF)	0	0
090	75599-33012	WASHER SPRING LOCK	1			(5/16)	0.002	0.0044
100	K1122-42123	BRACKET L	1				0	0
110	02018-50100	HEX. NUT	2			(M10 X 1.25)	0.011	0.0242
120	75599-53152	PIN COTTER	1			(3/32 X 3/4)	0	0
130	75599-32012	WASHER PLAIN	1			(5/16)	0.002	0.0044
140	K1211-42110	HOLDER N. ARM	1				0	0
150	01053-50860	BOLT FLANGE	1			(M8 X 60)	0.024	0.0528
160	K5112-72830	WASHER PLAIN	1				0.005	0.011
170	K1132-42030	ARM SPEED CHANGE	1				0	0
180	K1122-91983	SCREW SET	1			(M8 X 1.25)	0	0
190	08141-06000	BEARING	1				0.017	0.0374
200	02751-50080	NUT FLANGE	1			(M8 X 1.25)	0.006	0.0132
210	K1122-42040	ARM NEUTRAL	1				0.19	0.418
220	K1122-42070	SHAFT HOLDER	1				0.14	0.308
230	01754-50840	BOLT FLANGE	1			(M8 X 1.25 X 40)	0.02	0.044
240	K1122-42090	SPRING NEUTRAL	1				0.025	0.055
250	K1132-43010	PEDAL SYSTEM COMP	1	<=49999			0	0
250	K1152-43010	PEDAL SYSTEM COMP	1	>=50001	≠		0	0
260	01754-50820	BOLT FLANGE	3			(M8 X 1.25 X 20)	0.015	0.033
270	75599-02215	HEX BOLT	1			(5/16.24 X 3/4)	0	0
280	75599-33012	WASHER SPRING LOCK	1			(5/16)	0.002	0.0044

TENSION PULLEY/PTO LEVER



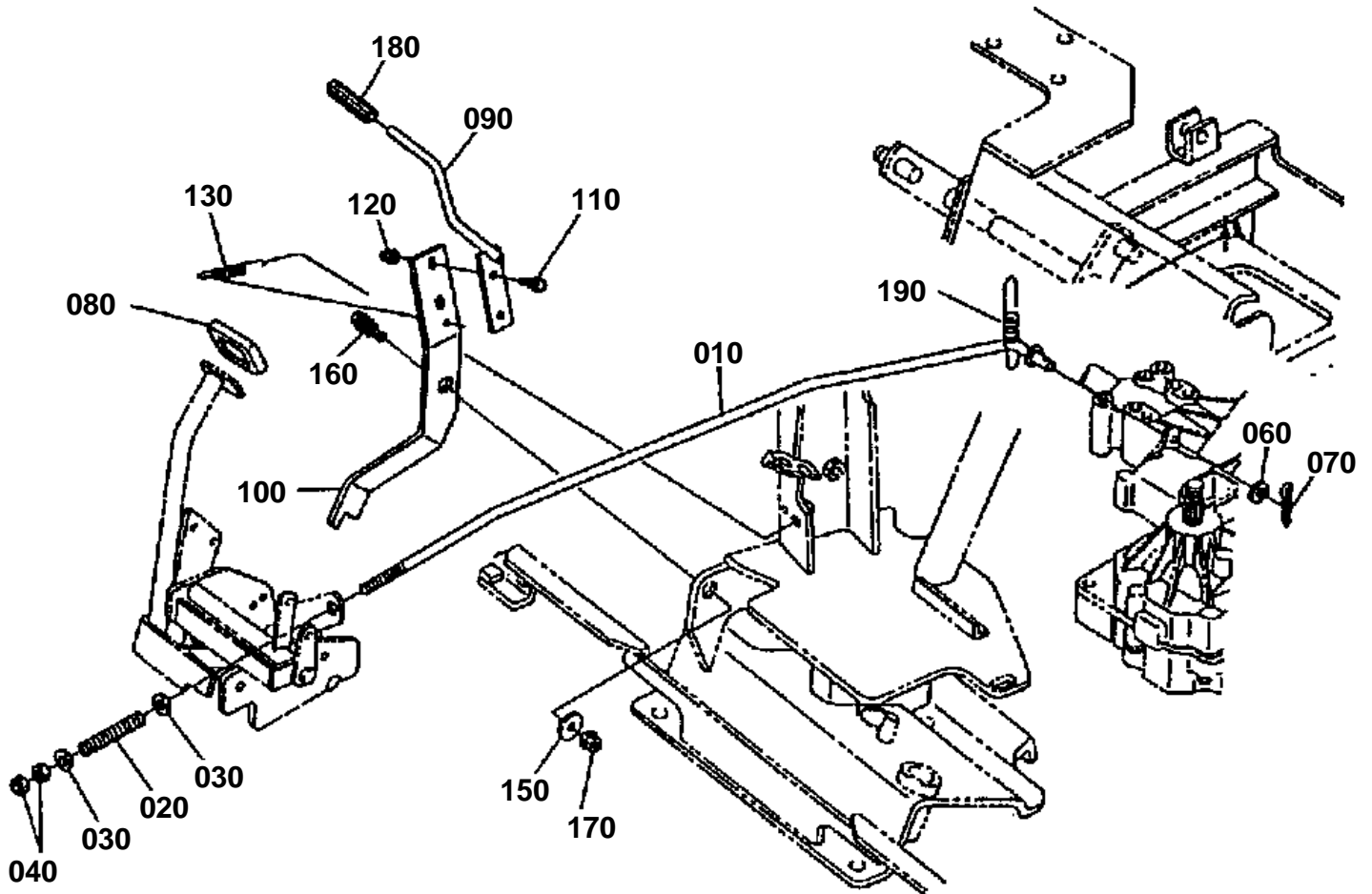


TENSION PULLEY/PTO LEVER

↔ Interchangeable; ≠ not interchangeable; ← new for old; → old for new

REF.No	Part No.	Description	Q'ty	S.No.	I/C	REMARKS	Weight (kgf)	Weight (lb)
020	K1122-26114	PULLEY ENGINE	1				0	0
030	01754-51025	BOLT FLANGE	1			(M10 X 1.5 X 25)	0.025	0.055
040	04015-50100	WASHER PLAIN	1				0.016	0.0352
050	K1132-26130	BELT HST	1				0	0
060	K1122-26222	ARM TENSION HST	1				0	0
070	K1122-26210	PULLEY TENSION HST	1				0.15	0.33
080	0Y169-50828	BOLT SHORT SQU.NECK	1			(1/2-20UNF)	0	0
090	75599-32015	WASHER PLAIN	1			(2/1)	0	0
100	0Y274-50080	NUT FLANGE	1			(1/2-20UNF)	0	0
110	K1122-26252	SPRING TENSION HST	1				0	0
120	K1122-26324	ARM 1 TENSION PTO	1				0	0
130	K1122-26330	ARM 2 TENSION PTO	1				0.11	0.242
140	02751-50080	NUT FLANGE	1			(M8 X 1.25)	0.006	0.0132
150	K1122-26310	PULLY TENSION PTO	1				0.37	0.814
160	01053-50818	HEX BOLT	1			(M8 X 1.25 X 18)	0.011	0.0242
170	75599-33012	WASHER SPRING LOCK	1			(5/16)	0.002	0.0044
180	K5122-72830	WASHER PLAIN	1				0	0
190	K1122-46124	WIRE PTO	1				0	0
200	K1122-26370	SPRING PTO	1				0.045	0.099
210	K1122-26380	SPRING RETURN	1				0.01	0.022
220	75599-32012	WASHER PLAIN	1			(5/16)	0.002	0.0044
230	75599-53171	PIN COTTER	1			(1/8 X 1/2)	0.001	0.0022
240	K1122-95630	BRACKER TENSION	1				0.4	0.88
250	K1122-26353	HOLDER TENSION	1				0	0
260	01754-50820	BOLT FLANGE	6			(M8 X 1.25 X 20)	0.015	0.033
270	K1122-26412	RETAINER BELT	1				0	0
280	01811-50815	BOLT WING	2			(M8 X 1.25 X 15)	0.025	0.055
290	K1122-46133	LEVER PTO COMP	1				0	0
300	01754-50820	BOLT FLANGE	2			(M8 X 1.25 X 20)	0.015	0.033
310	K1122-46112	GRIP PTO	1				0	0
320	K1122-6523	MARK GRIP PTO	1				0	0

BRAKE ROD/PARKING LOCK PEDAL



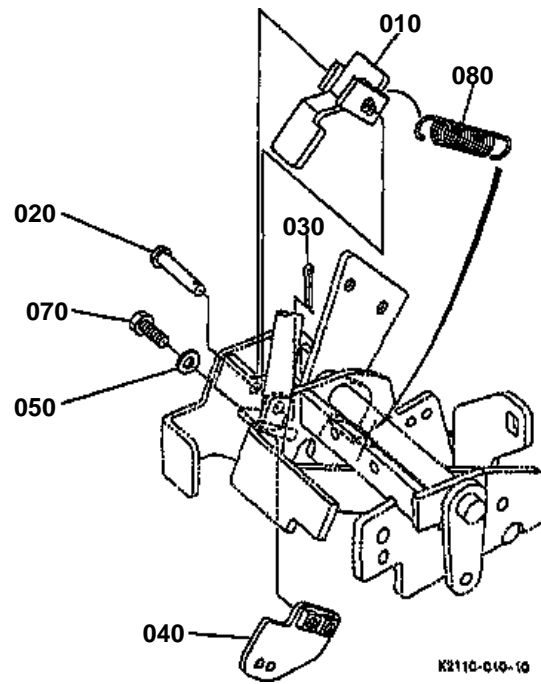
M1199-689-10

**BRAKE ROD/PARKING LOCK PEDAL**

↔ Interchangeable; ≠ not interchangeable; ← new for old; → old for new

REF.No	Part No.	Description	Q'ty	S.No.	I/C	REMARKS	Weight (kgf)	Weight (lb)
010	K1132-43110	ROD BRAKE	1				0	0
020	K1122-43120	SPRING BRAKE	1				0.04	0.088
030	75599-32012	WSHER PLAIN	2			(5/16)	0.002	0.0044
040	02054-50080	HEXNUT	2			(M8 X 1.25)	0.005	0.011
060	75599-32012	WASHER PLAIN	1			(5/16)	0.002	0.0044
070	75599-53152	PIN COTTER	1			(3/32 X 3/4)	0	0
080	K1122-43150	COVER BRAKE PEDAL	1				0.022	0.0484
090	K1122-43213	PEDAL PARKING LOCK	1				0	0
100	K1122-43223	LOCK BRAKE	1				0	0
110	01754-50820	BOLT FLANGE	2			(M8 X 1.25 X 20)	0.015	0.033
120	02751-50080	NUT FLANGE	2			(M8 X 1.25)	0.006	0.0132
130	K1122-43230	SPRING PARKING LOCK	1				0.02	0.044
140	K1122-43240	COLLR BRAKE LOCK	1				0.05	0.11
150	K1122-43260	WASHER FLAT	2				0.01	0.022
160	01754-50825	BOLT FLANGE	1			(M8 X 1.25 X 25)	0.01	0.022
170	02751-50080	NUT FLANGE	1			(M8 X 1.25)	0.006	0.0132
180	K1122-43253	COVER PARKING BRAKE	1				0	0
190	K5112-272252	SPRING RETURN	1				0	0

PARKING BRAKE LEVER



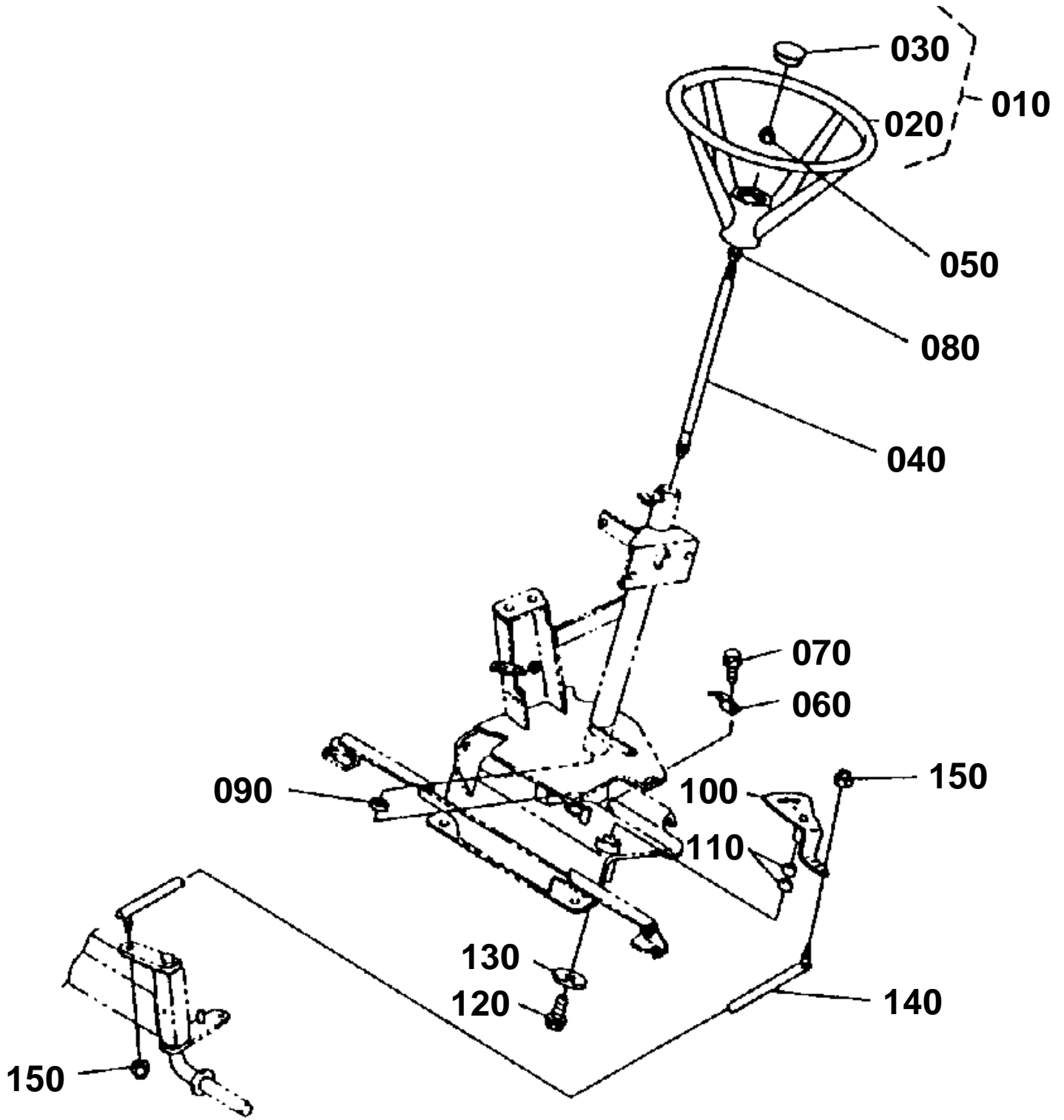


PARKING BRAKE LEVER

↔ Interchangeable; ≠ not interchangeable; ← new for old; → old for new

REF.No	Part No.	Description	Q'ty	S.No.	I/C	REMARKS	Weight (kgf)	Weight (lb)
010	K2110-43510	LEVER SW-R	1	≧=50001			0	0
020	75599-51227	PIN CLEVIS	1	≧=50001			0	0
030	75599-53171	PIN SPLIT	1	≧=50001			0.001	0.0022
040	K2110-43520	PLATE SW-R	1	≧=50001			0	0
050	75599-32111	WASHER PLAIN	2	≧=50001			0	0
060	99999-99999	BLANK	0				0	0
070	01574-50620	BOLT FLANGE	2	≧=50001			0	0
080	K1122-43230	SPRING PARKING LOCK	1	≧=50001			0.02	0.044

STEERING WHEEL



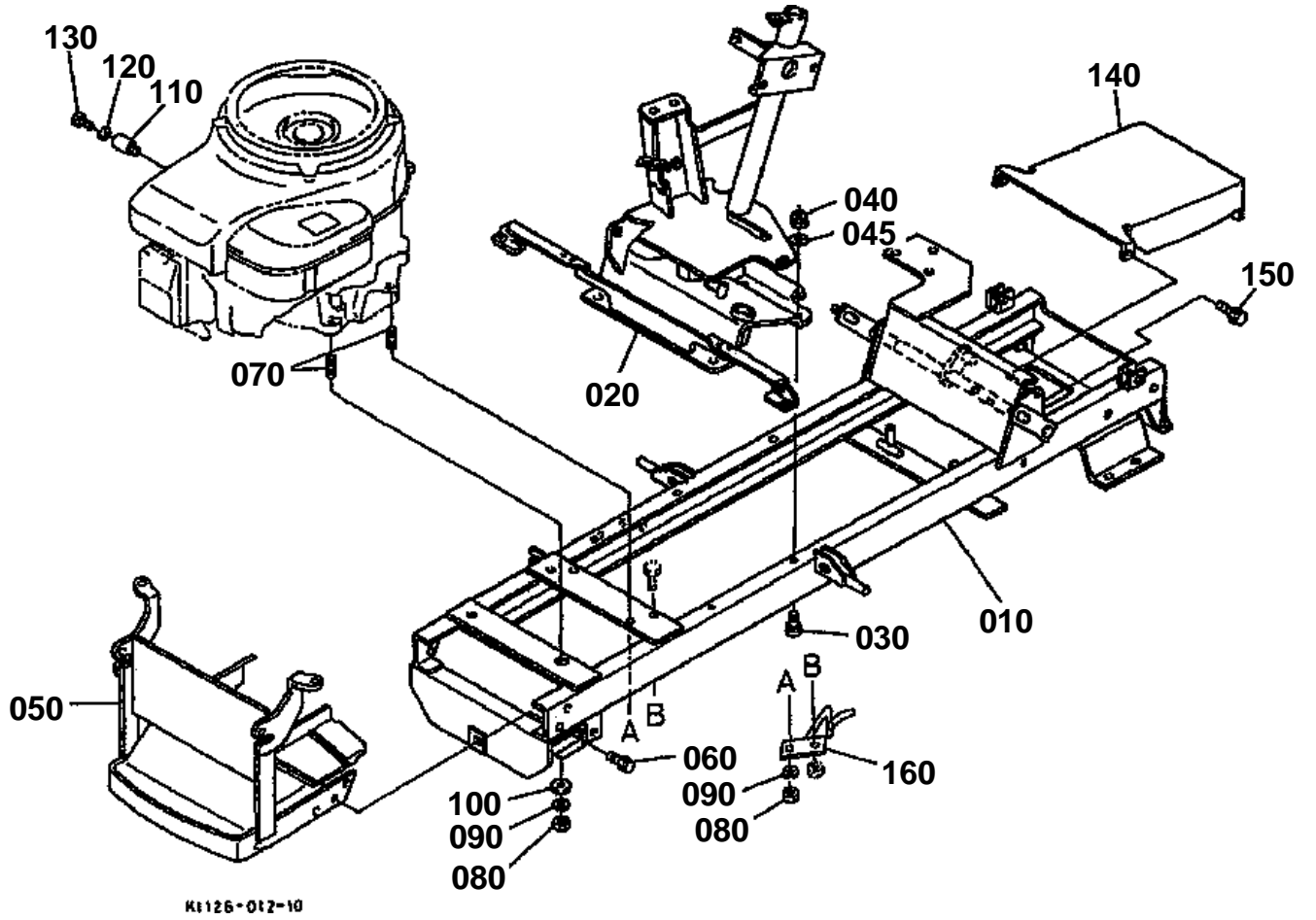
X1122-010-10



STEERING WHEEL

↔ Interchangeable; ≠ not interchangeable; ← new for old; → old for new

REF.No	Part No.	Description	Q'ty	S.No.	I/C	REMARKS	Weight (kgf)	Weight (lb)
010	K1122-41113	ASSY WHEEL STEERING	1				0	0
020	K1122-41123	WHEEL STEERING	1				0	0
030	K1122-41133	CAP.STEERING	1				0	0
040	K1224-1213	SHAFT STEERING	1				0	0
050	K1122-91940	NUT LOCKING	1			(M16 X 1.5)	0.03	0.066
060	K1122-41220	RETAINER SHAFT	1				0.07	0.154
070	01754-50820	BOLT FLANGE	1			(M8 X 1.25 X 20)	0.015	0.033
080	K1122-41233	BEARING STEERING	1				0	0
090	08141-06201	BEARING	1				0.04	0.088
100	K1122-41254	GEAR SECTOR	1				0	0
110	K1122-41280	BUSH SECTOR	2				0.02	0.044
120	01754-51020	BOLT FLANGE	1			(M10 X 1.5 X 20)	0.02	0.044
130	K1122-41262	WASHER PLAIN	1				0	0
140	K1122-41514	LINK DRAG COMP	1				0	0
150	75599-31924	NUT LOCKING	2			(7/16-20UNF)	0.01	0.022



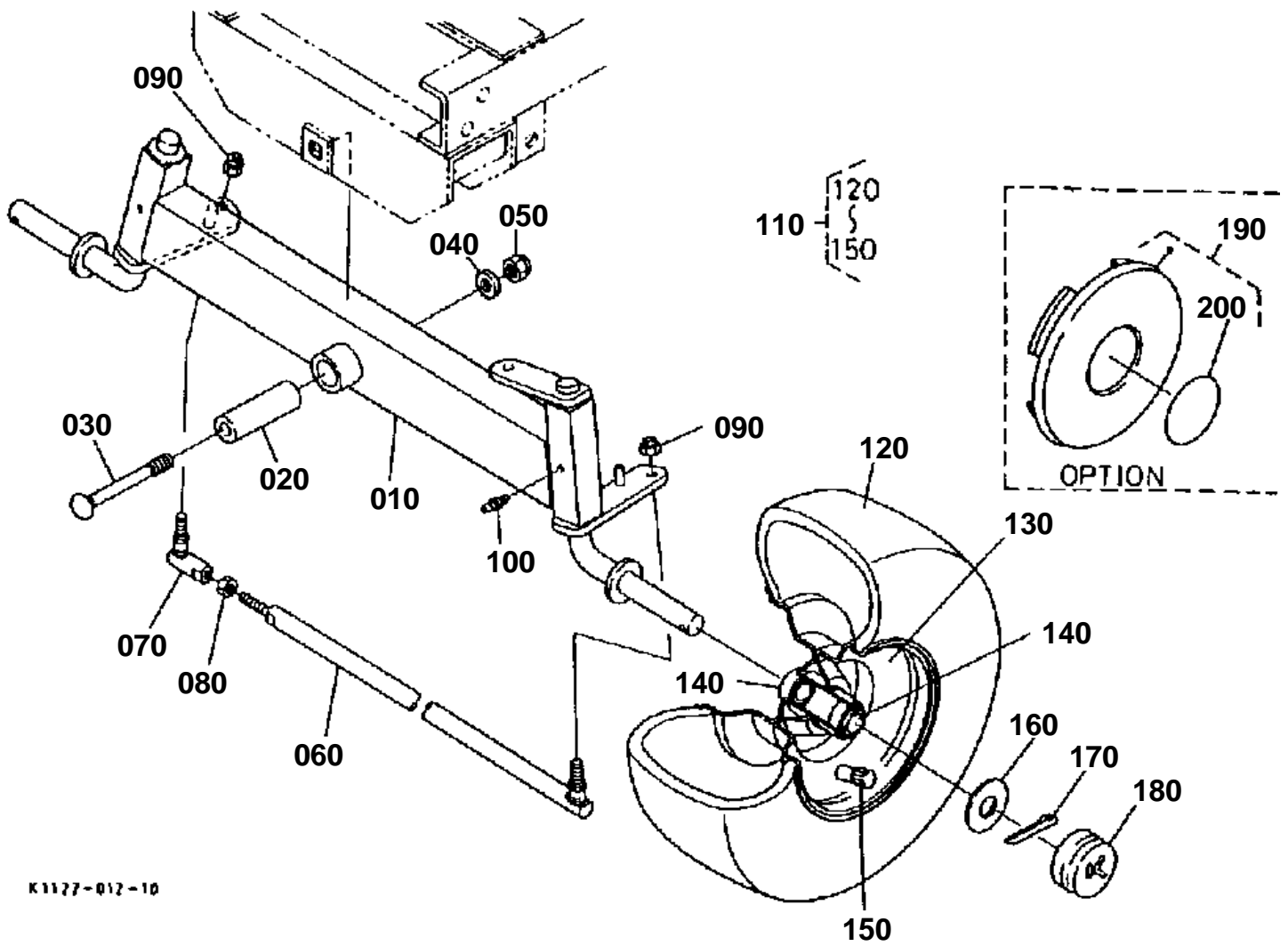


FRAME

↔ Interchangeable; ≠ not interchangeable; ← new for old; → old for new

REF.No	Part No.	Description	Q'ty	S.No.	I/C	REMARKS	Weight (kgf)	Weight (lb)
010	K1122-21020	FRAME COMP	1				0	0
020	K1132-21110	SUPPORT STEERING	1				0	0
030	K1122-91420	BOLT SHORT SQU.NECK	4			(M10 X 1.5)	0.02	0.044
040	K1122-91960	NUT FLANGE	4			(M10 X 1.5)	0.012	0.0264
045	K1122-21160	WASHER PLAIN	4				0.006	0.0132
050	K1122-21514	BUMPER	1				0	0
060	01754-50820	BOLT FLANGE	4			(M8 X 1.25 X 20)	0.015	0.033
070	01513-50825	BOLT STUD	4			(M8 X 1.25 X 25)	0	0
080	02054-50080	HEX NUT	4			(M8 X 1.25)	0.005	0.011
090	75599-33012	WASHER SPRING LOCK	4			(5/16)	0.002	0.0044
100	75599-32012	WSHER PLAIN	1			(5/16)	0.002	0.0044
110	K1122-25415	OIL DRAIN PIPE	1				0	0
120	K1122-25420	WASHER SEAL	1				0.003	0.0066
130	01073-51218	HEX.BOLT	1			(M8 X 1.25 X 18)	0.031	0.0682
140	K1152-55510	COVER REAR	1				0	0
150	01754-50616	BOLT FLANGE	2			(M6 X 1.0 X 16)	0.006	0.0132
160	K1123-26420	RETAINER HST BELT	1				0	0

FRONT AXLE/FRONT WHEEL



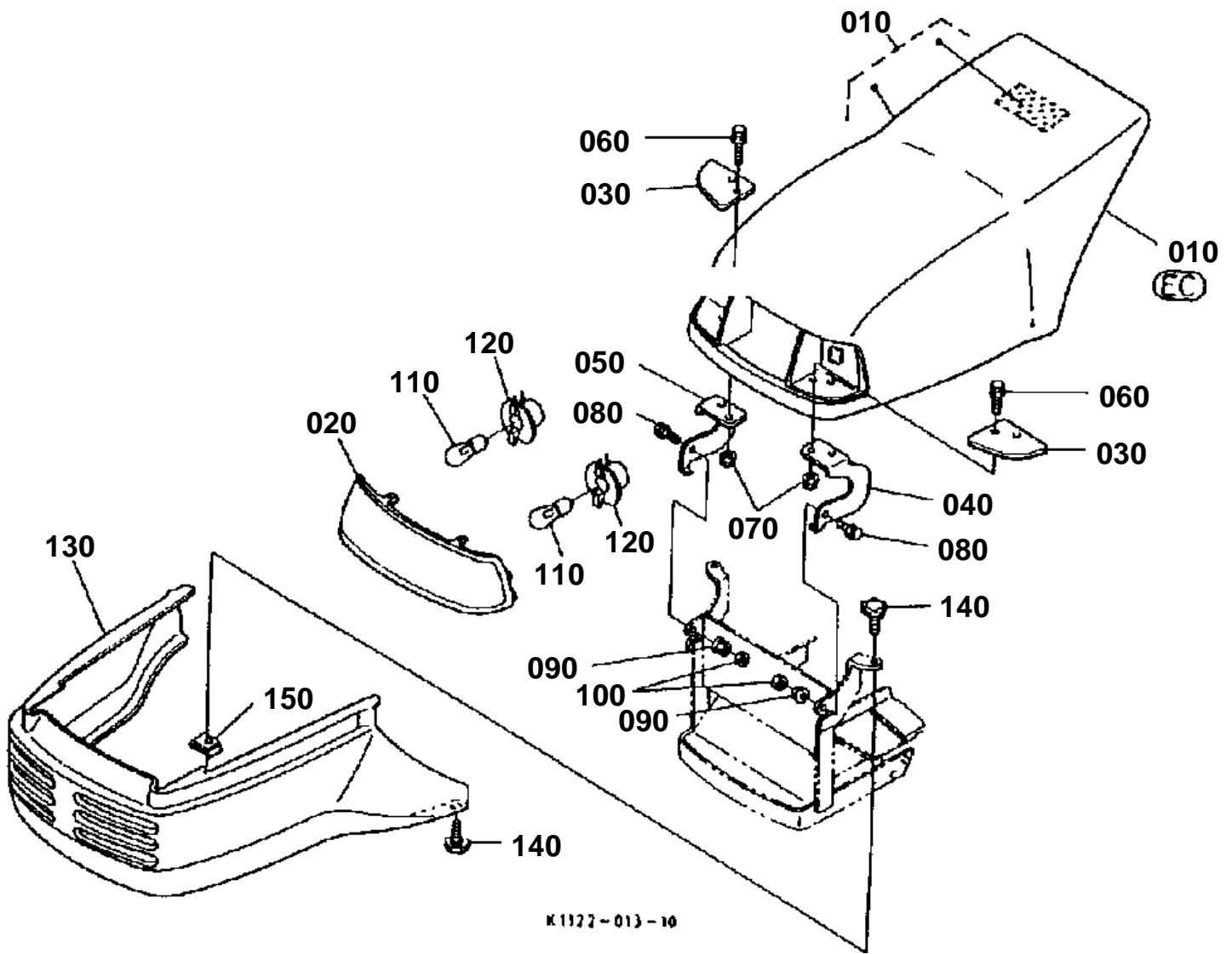
K1127-012-10



FRONT AXLE/FRONT WHEEL

↔ Interchangeable; ≠ not interchangeable; ← new for old; → old for new

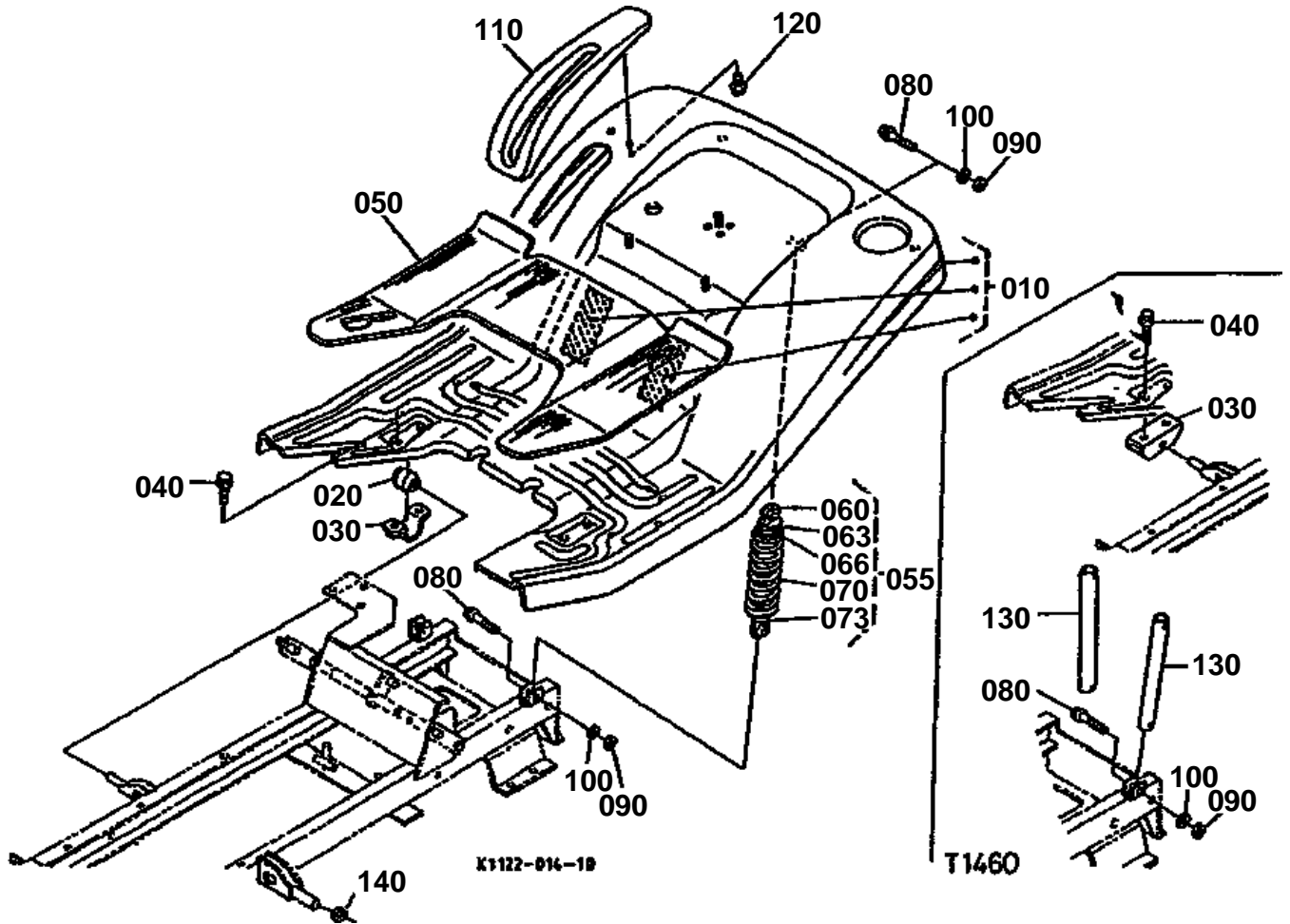
REF.No	Part No.	Description	Q'ty	S.No.	I/C	REMARKS	Weight (kgf)	Weight (lb)
010	K1122-15115	COMP FRONT AXLE	1				0	0
020	K1122-15124	COLLAR CENTER PIN	1				0	0
030	K1122-15132	BOLT CENTER PIN	1				0	0
040	75599-32015	WASHER PLAIN	1			(1/2)	0	0
050	K1122-91920	NUT LOCKING	1			(M12 X 1.75)	0.016	0.0352
060	K1122-15213	TIE ROD COMP	1				0	0
070	K1122-15223	ROD END	1			3/8-24	0	0
080	75599-31023	HEX. NUT	1			(3/8-24UNF)	0.006	0.0132
090	75599-31923	NUT LOCKING	2			(3/8-24UNF)	0.007	0.0154
100	K1122-15150	NIPPLE GREASE	2			(M6 X .10)	0.002	0.0044
110	K1132-15710	ASSY TIRE FRONT	2				0	0
120	K1132-15720	TIRE	2			15 X 6.00-6	0	0
130	K1142-15730	WHEEL	2			6.0 X 4.50	0	0
140	K1142-15770	BEARING	4				0	0
150	K1122-15760	VALVE STEM	2				0	0
160	K1142-15740	WASHER FLAT	2			1.57mm	0	0
170	05511-50530	PIN COTTER	2				0.006	0.0132
180	K1142-15780	CAP WHEEL FRONT	2			(O.D 53mm)	0	0
190	66091-56472	CAP WHEEL 6	2			OPTION	0.11	0.242
200	66190-17480	LABEL	2			OPTION	0.005	0.011



**BONNET/HEAD LIGHT**

↔ Interchangeable; ≠ not interchangeable; ← new for old; → old for new

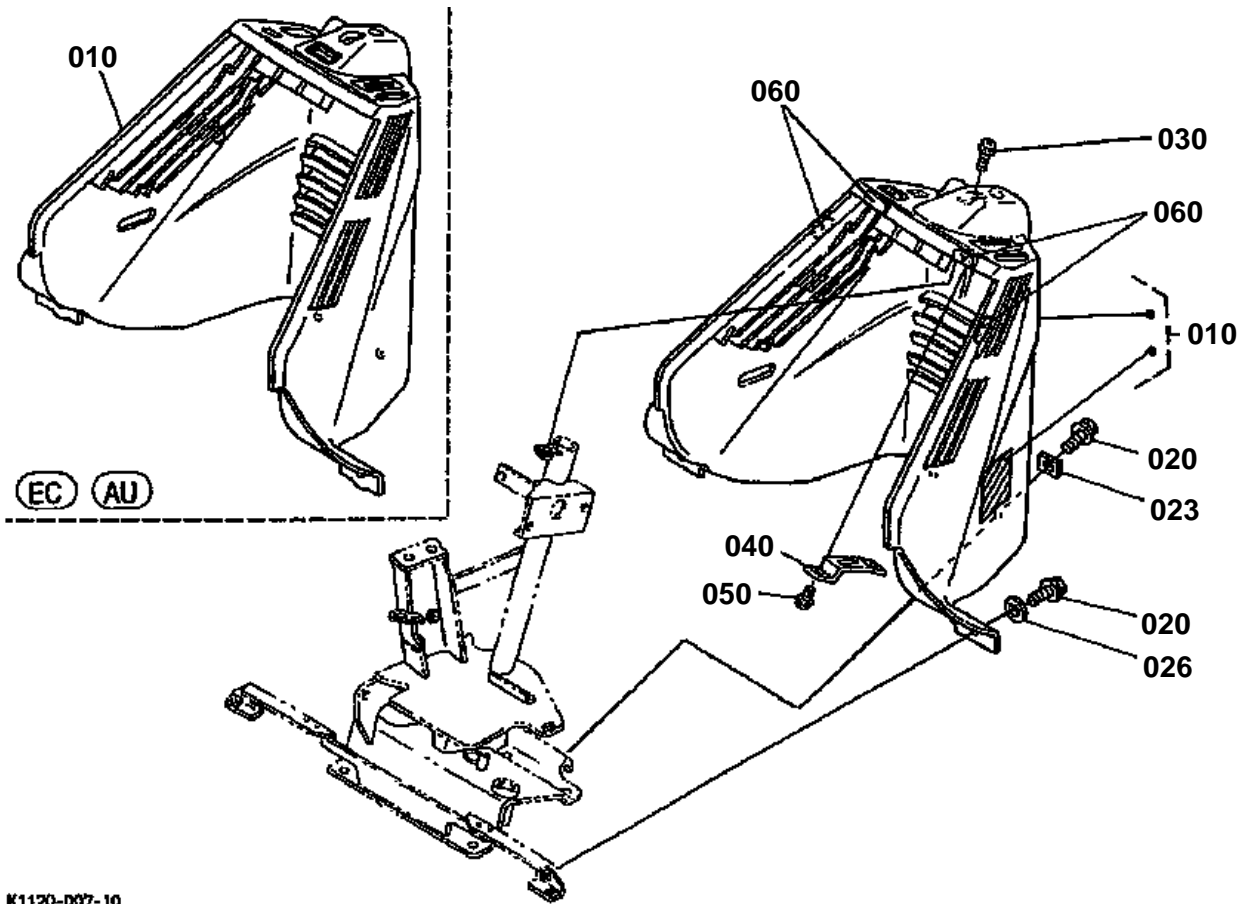
REF.No	Part No.	Description	Q'ty	S.No.	I/C	REMARKS	Weight (kgf)	Weight (lb)
010	K1122-95020	KIT BONNET UPPER	1				0	0
010	K1122-54112	BONNET UPPER	1			[EC]	0	0
020	K1211-54120	LENS	1				0.22	0.484
030	K1122-54232	PLATE BONNET	2				0	0
040	K1122-54310	BRACKET BONNET L	1				0.23	0.506
050	K1122-54320	BRACKET BONNET R	1				0.24	0.528
060	01754-50820	BOLT FLANGE	2			(M8 X 1.25 X 20)	0.015	0.033
070	02751-50080	NUT FLANGE	2			(M8 X 1.25)	0.006	0.0132
080	01754-50825	BOLT FLANGE	2			(M8 X 1.25 X 25)	0.01	0.022
090	02751-50080	NUT FLANGE	2			(M8 X 1.25)	0.006	0.0132
100	02054-50080	HEX NUT	2			(M8 X 1.25)	0.005	0.011
110	K1122-54210	BULB	2				0.008	0.0176
120	K1122-54220	SOCKET	2				0.006	0.0132
130	K1122-54132	BONNET UNDER	1				0	0
140	K1122-91000	BOLT KNOB	4			(M6 X 1.0 X 15)	0.012	0.0264
150	K1122-91800	NUT SPRING	2			(M7 X 1.0)	0.004	0.0088



**FENDER**

↔ Interchangeable; ≠ not interchangeable; ← new for old; → old for new

REF.No	Part No.	Description	Q'ty	S.No.	I/C	REMARKS	Weight (kgf)	Weight (lb)
010	K1132-95020	KIT FENDER	1				0	0
010	K1123-95120	KIT FENDER(EC)	1			[EC]	0	0
020	K1122-55122	BUSHING	2				0	0
030	K1122-55130	SUPPORT STEP	2			NOT SALE	0.07	0.154
030	K1211-55130	SUPPORT STEP	2		↔		0.06	0.132
040	01754-50820	BOLT FLANGE	4			(M8 X 1.25 X 20)	0.015	0.033
050	K1132-55210	SHEET STEP	1				0	0
055	K1122-55401	SUSPENSION ASSY	2				0	0
060	K1122-55410	SUSPENSION	2				0.62	1.364
063	K1122-55431	RETAINER UPPER	2				0	0
066	K1122-55451	COVER SUSPENSION	2				0	0
070	K1122-55420	SPRING SUSPENSION	2				0.39	0.858
073	K1122-55441	RETAINER LOWER	2				0	0
080	01053-51045	HEX BOLT	4			(M10 X 1.5 X 45)	0.04	0.088
090	02014-50100	HEX NUT	4			(M10 X 1.5)	0.011	0.0242
100	04512-50100	WASHER SPRING LOCK	4			(M10)	0	0
110	K1122-55222	COVER LEVER	1				0	0
120	K1122-55282	SCREW TAPPING	3				0	0
140	75599-32015	WASHER PLAIN	1			(1/2)	0	0



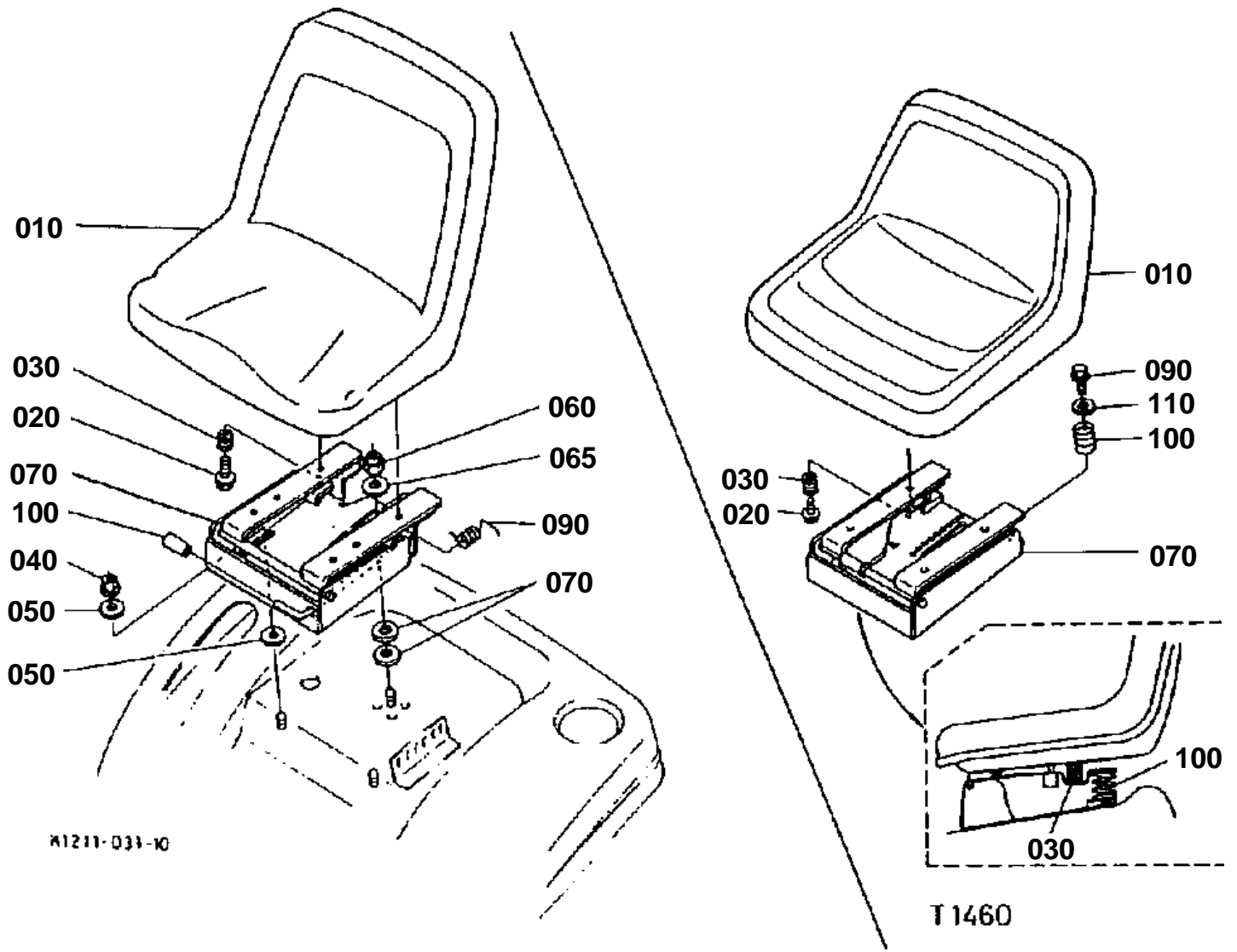
K1120-007-10



PANEL

↔ Interchangeable; ≠ not interchangeable; ← new for old; → old for new

REF.No	Part No.	Description	Q'ty	S.No.	I/C	REMARKS	Weight (kgf)	Weight (lb)
010	K1132-95220	KIT PANEL	1				0	0
010	K1132-57110	PANEL	1	<=49999		[EC]	0	0
010	K1132-57210	PANEL	1	>=50001	≠	[EC]	0	0
010	K1142-57110	PANEL	1			[AU]	0	0
020	01754-50820	BOLT FLANGE	4			(M5 X 1.25 X 20)	0.015	0.033
023	K1122-57172	WASHER PANEL	2				0	0
026	K5112-72830	WASHER PLAIN	2				0.005	0.011
030	K1122-91050	BOLT FLANGE BLACK	1				0.013	0.0286
040	K1122-57130	PLATE LEVER	1				0.07	0.154
050	K1122-57142	SCREW TAPPING	2				0	0
060	K1122-57162	PLATE RUBBER	4				0	0



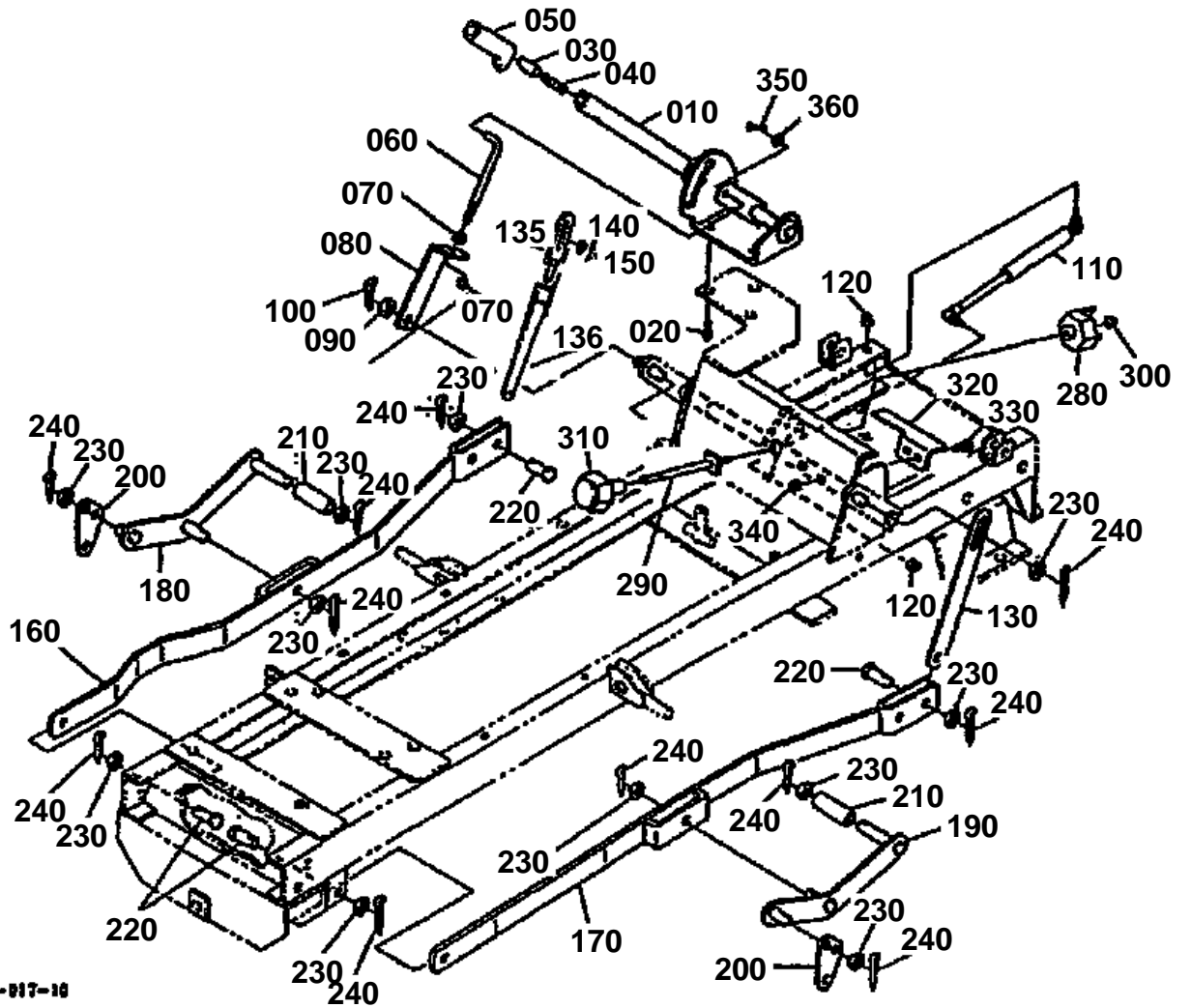


SEAT

↔ Interchangeable; ≠ not interchangeable; ← new for old; → old for new

REF.No	Part No.	Description	Q'ty	S.No.	I/C	REMARKS	Weight (kgf)	Weight (lb)
010	K1122-56112	SEAT	1				0	0
020	0Y171-50508	BOLT FLANGE	4			(5/16-18UNC)	0	0
030	K1122-56142	SPRING SEAT SW.	1				0	0
040	K5112-72840	HEX.LOCK NUT	2			(M8 X 1.25)	0.005	0.011
050	75599-32012	WASHER PLAIN	2			(5/16)	0.002	0.0044
060	75599-31923	NUT LOCKING	1			(3/8-24)	0.007	0.0154
065	75599-32113	WASHER PLAIN	3				0	0
070	K1211-56120	SUPPORT SEAT	1				0	0
080	75599-32012	WASHER PLAIN	2			(5/16)	0.002	0.0044
090	K1211-56150	SPRING LOCK	1				0	0
100	K1211-56140	COVER LEVER	1				0	0

LIFT LEVER/LINK



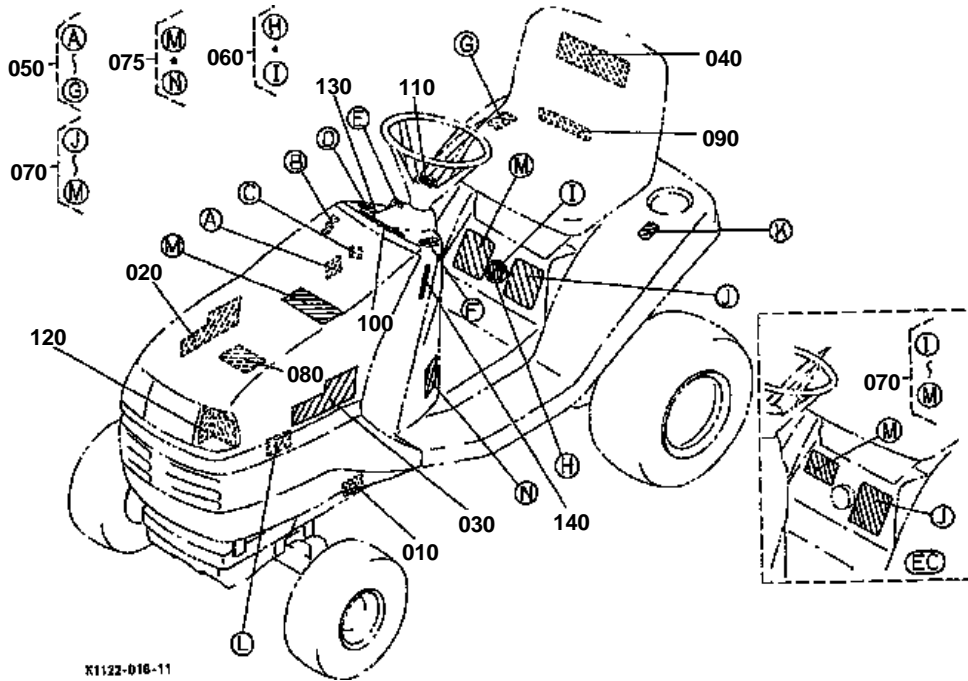
K1127-017-10



LIFT LEVER/LINK

↔ Interchangeable; ≠ not interchangeable; ← new for old; → old for new

REF.No	Part No.	Description	Q'ty	S.No.	I/C	REMARKS	Weight (kgf)	Weight (lb)
010	K1122-44110	LEVER LIFT COMP	1				1.92	4.224
020	01754-50820	BLOT FLANGE	3			(M8 X 1.25 X 20)	0.015	0.033
030	K1211-44130	BUTTON	1				0.01	0.022
040	K1122-44140	SPRING BUTTON	1				0.007	0.0154
050	K1122-44150	GRIP	1				0.11	0.242
060	K1122-44172	LINK LIFT 1	1				0	0
070	K1122-91960	NUT FLANGE	2			(M10 X 1.5)	0.012	0.0264
080	K1122-44180	LINK LIFT 2	1				0.37	0.814
090	75599-32015	WASHER PLAIN	1			(1/2)	0	0
100	05511-50430	PIN COTTER	1			(4 X 30)	0.004	0.0088
110	K1122-44162	GAS SPRING	1				0	0
120	02751-50080	NUT FLANGE	2			(M8 X 1.25)	0.006	0.0132
130	K1132-44220	LINK 2	2				0	0
135	K1142-44273	LINK LIFT UPPER	1				0	0
136	K1132-96850	LINK LIFT LOWER	1				0	0
140	75599-32015	WASHER PLAIN	2			(1/2)	0	0
150	05511-50430	PIN COTTER	2			(4 X 30)	0.004	0.0088
160	K1122-44310	LINK 1R	1				1.95	4.29
170	K4422-44320	LINK 1R	1				0	0
180	K1122-44332	LINK 3R	1				0.62	1.364
190	K1122-44342	LINK 3L	1				0.63	1.386
200	K1132-44352	LINK 4	2				0	0
210	K1122-44362	COLLAR LINK 3	2				0	0
220	75599-51525	PIN.CLEVIS	4			(1/2 X 1-1/4)	0.2	0.44
230	75599-32015	WASHER PLAIN	10			(1/2)	0	0
240	05511-50430	PIN COTTER	10			(4 X 30)	0.004	0.0088
250	K1122-44370	PLATE LINK	2				0	0
260	01754-50820	BOLT	4				0.015	0.033
270	02751-50080	NUT FLANGE	4			(M8 X 1.25)	0.006	0.0132
280	K1122-44412	CAM	1				0	0
290	K1132-44420	ROD CAM	1				0	0
300	K1122-91960	NUT FLANGE	1			(M10 X 1.5)	0.012	0.0264
310	K1132-44430	DIAL CAM	1				0.04	0.088
320	K1122-44443	SPRING RETAINER	1				0	0
330	K1122-91320	BOLT SHORT SQU NECK	2			(M8 X 1.25)	0.01	0.022
340	02751-50080	NUT FLANGE	2			(M8 X 1.25)	0.006	0.0132
350	75599-32013	WASHER PLAIN	1				0.03	0.066
360	05511-50430	PIN COTTER	1				0.004	0.0088





LABEL

↔ Interchangeable; ≠ not interchangeable; ← new for old; → old for new

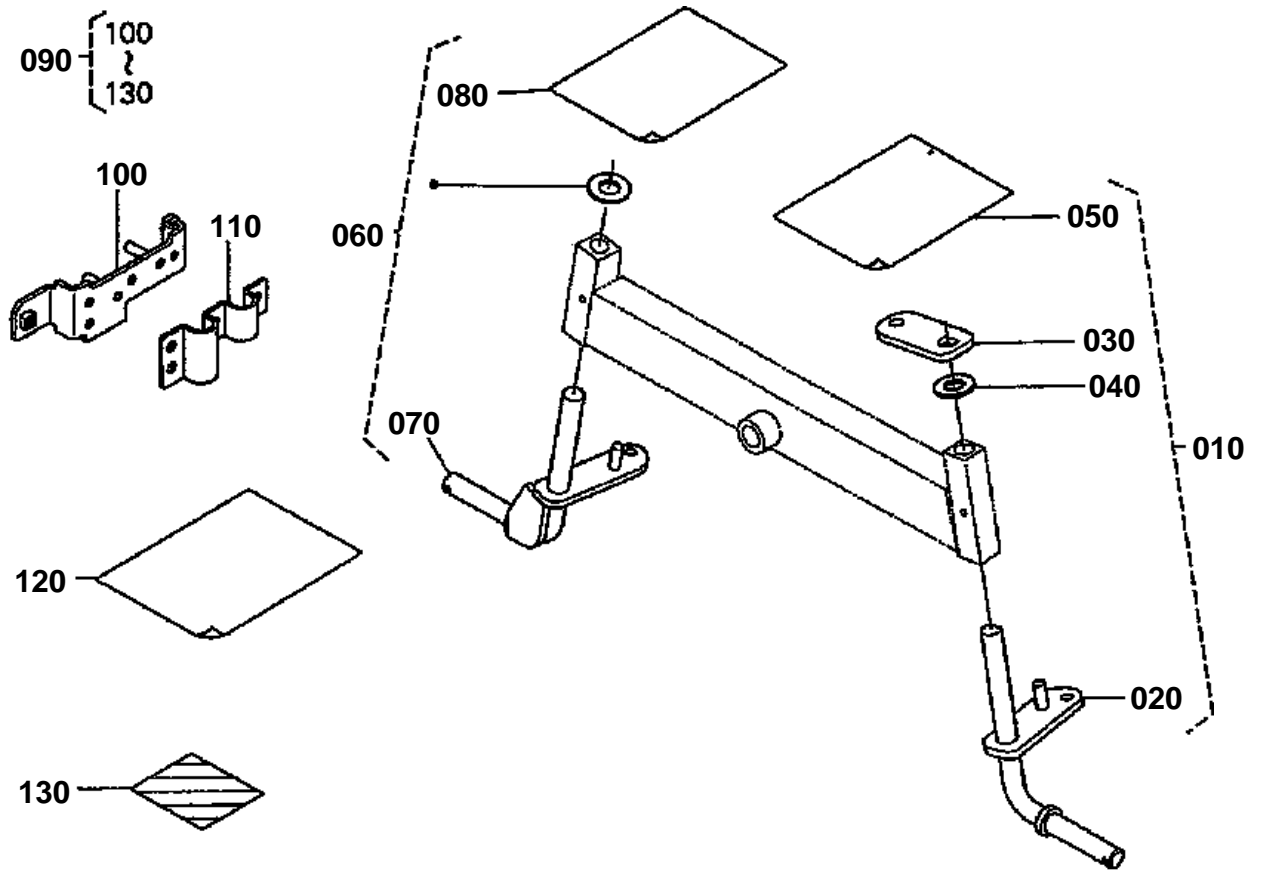
REF.No	Part No.	Description	Q'ty	S.No.	I/C	REMARKS	Weight (kgf)	Weight (lb)
010	K1132-65110	PLATE NAME	1				0	0
010	K1123-65110	PLATE NAME	1			[EC]	0	0
020	K1132-65120	LABEL BONNET R	1				0	0
030	K1132-65130	LABEL BONNET L	1				0	0
040	K1122-65252	LABEL KUBOTA BONNET	1				0	0
050	K1122-65163	LABEL SET CONTROL	1				0	0
060	K1132-65260	LABEL DIAL	1				0	0
070	K1122-65174	LABEL SET 1 CAUTION	1				0	0
070	K1123-65170	LABEL SET CAUTION	1			[EC]	0	0
075	K1122-65190	LABEL SET 2 CAUTION	1				0	0
080	K1122-65180	LABRL ENGINE	1			(14HP)	0	0
080	K1123-65180	LABRL ENGINE	1			[EC] (14HP)	0.005	0.011
090	K1132-65290	LABEL CUSHION	1				0	0
100	K1122-65212	LABEL INDICATOR	1				0	0
110	K1122-65220	MARK STEERING	1				0.01	0.022
120	K1211-65413	LABEL HEAD LAMP	1				0	0
130	K2110-65460	LABEL	1	>=50001			0	0
140	K2110-65190	LABEL KRA	1	>=50001			0	0

IMAGE NOT AVAILABLE

**ACCESSORIES AND SERVICE PARTS**

↔ Interchangeable; ≠ not interchangeable; ← new for old; → old for new

REF.No	Part No.	Description	Q'ty	S.No.	I/C	REMARKS	Weight (kgf)	Weight (lb)
010	K1132-71210	MANUAL INSTRUCTION	1	<=49999			0	0
010	K1132-71220	MANUAL INSTRUCTION	1	>=50001	≠		0	0
010	K1103-71210	MANUAL INSTRUCTION	1			[EC]	0	0
020	K1122-71510	MANUAL STRUCTURE	1				0	0
020	K1143-71510	MANUAL INSTRUCTION	1			[EC]	0	0
030	K1122-73210	PACKING ACCESSORY	1			REF.No.040	0	0
030	K1123-73210	PACKING ACCESSORY	1			[EC] REF.No.040	0	0
040	K1122-73220	BAG POLY	1				0.015	0.033



K1120-004-10

**SERVICE PARTS**

↔ Interchangeable; ≠ not interchangeable; ← new for old; → old for new

REF.No	Part No.	Description	Q'ty	S.No.	I/C	REMARKS	Weight (kgf)	Weight (lb)
010	K1122-95400	KIT KING PIN LH	1				0	0
020	K1122-95410	COMP KING PIN LH	1				0	0
030	K1122-95450	ARM KNUCKLE	1				0	0
040	K1122-95460	SHIM	1				0	0
050	K1122-95470	INSTRUCTIONS	1				0	0
060	K1122-95560	KIT KING PIN RH	1				0	0
070	K1122-95440	COMP KING PIN RH	1				0	0
080	K1122-95470	INSTRUCTIONS	1				0	0
090	K1122-95620	KIT TENSION BRACKET	1				0	0
100	K1122-95630	BRACKET TENSION	1				0.4	0.88
110	K1122-26353	HOLDER TENSION	1				0	0
120	K1122-95640	INSTRUCTION TENSION	1				0	0
130	K1122-65170	LABEL	1				0	0