

# Instructions for Parts Books

The heading at the top of the page will be the same for the picture of the parts as it is for the page with the part numbers.

Definition of column headings on part number pages:

**REF.No** → The number referring to the part on the picture page of the parts book.

**Part No.** → The number assigned to this part at the time of printing the parts book.

**Description** → Description of part.

**Q'ty** → Quantity of part used on that page.

**S.No.** → Serial number range of the equipment that this part will fit.

>= Your serial number should be greater than or equal to the number shown.

<= Your serial number should be lesser than or equal to the serial number shown.

**I/C** → Interchangeability of part shown.

↔ The part shown will work for the older and later serial number.

# The part shown is not interchangeable with the other serial number.

← new for old

→ old for new

**Remarks** → Notes about this particular part. Sometimes this may say except [FR] or [CA]

## Note about Country Codes:

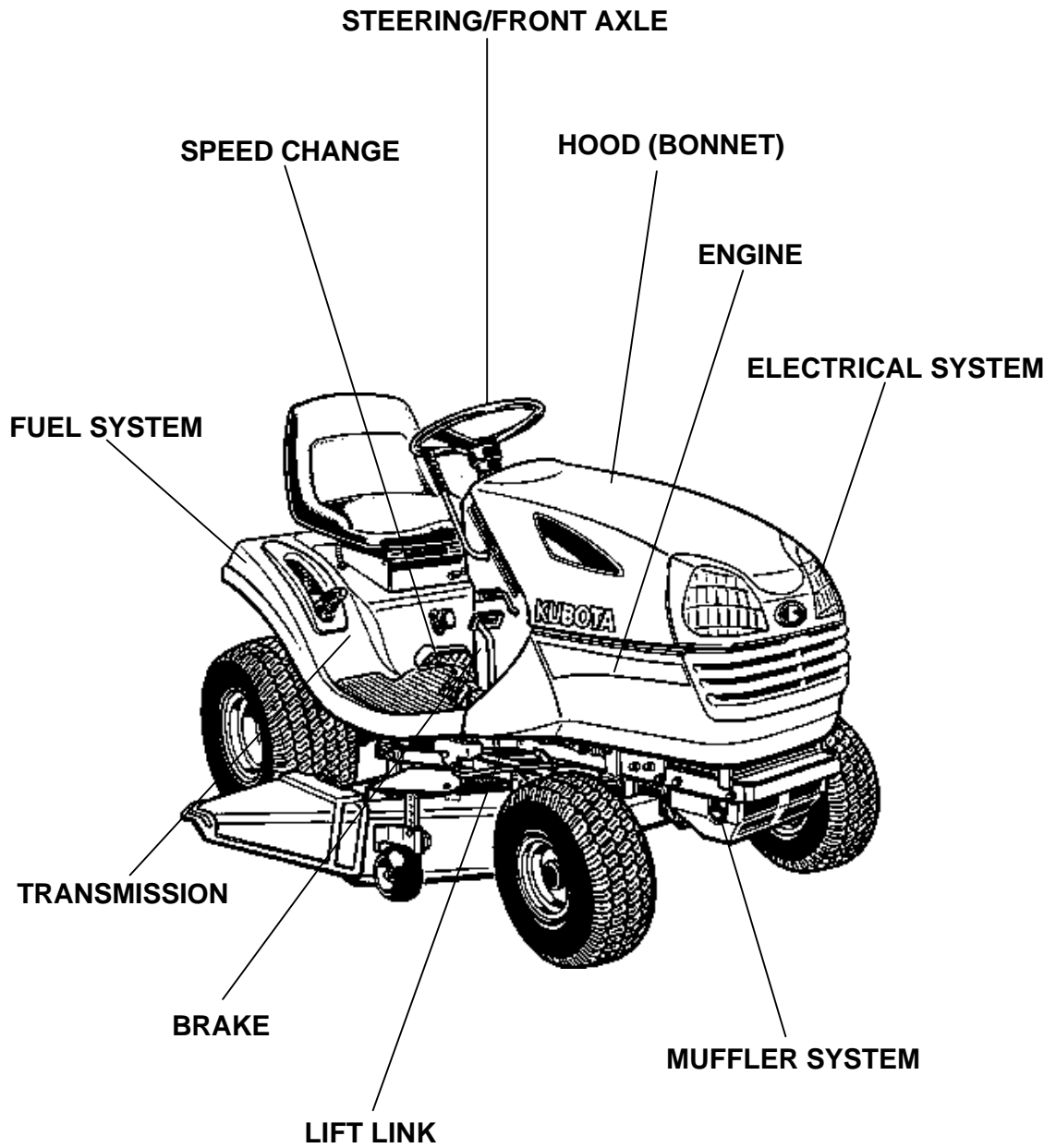
The parts books we use in the United States of America may also contain information about a part that would be different in another country. It is important that you are aware of the country codes in some instances.

Symbol	Country
A	United States of America
CA	Canada
FR	France
GR	Greece
PO	Portugal
AU	Australia

If the remarks column says for example EXCEPT [FR] this part works in all countries except France. That means it will work here in the USA.

**ALL PRODUCT INDEX  
T1670**

---

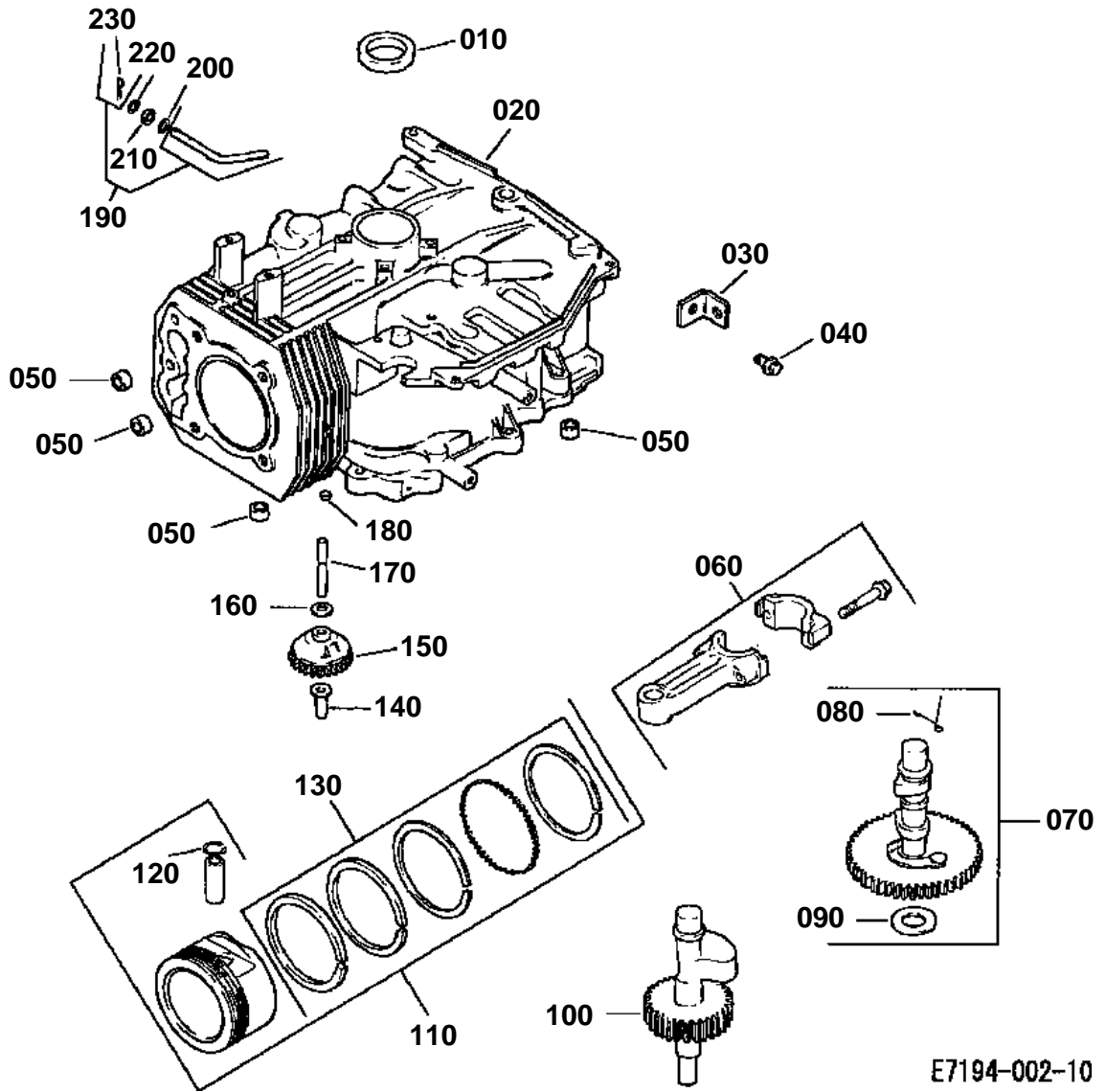


**LABEL**

**ACCESSORIES**

Item	Part No.	Description	Book	
ENGINE	010001	CRANKCASE AND PISTON	100A0187	
	010002	OIL PAN	100A0187	
	010003	CYLINDER HEAD	100A0187	
	010102	CRANKSHAFT	100A0187	
	010103	FLYWHEEL	100A0187	
	010202	CARBURETTOR	100A0187	
	010205	SPEED CONTROL PLATE	100A0187	
	010404	STARTER	100A0187	
	010507	FAN COVER	100A0187	
	010603	AIR CLEANER	100A0187	
	010606	EXHAUST PARTS	100A0187	
	MUFFLER SYSTEM	03A005	MUFFLER	100A0187
	FUEL SYSTEM	03A010	ACCELERATOR LEVER	100A0187
		03A100	FUEL TANK	100A0187
ELECTRICAL SYSTEM	03B010	BATTERY	100A0187	
	03B100	ELECTRICAL PARTS	100A0187	
	03B50001	ELECTRICAL WIRING	100A0187	
	03B50002	ELECTRICAL WIRING	100A0187	
TRANSMISSION	03C400	HST	100A0187	
	03C40502	HST (COMPONENT PARTS)	100A0187	
	03C40503	HST (COMPONENT PARTS)	100A0187	
BRAKE	03D200	REAR WHEEL	100A0187	
	03D530	BRAKE ROD	100A0187	
SPEED CHANGE	03D700	SPEED CHANGE PEDAL	100A0187	
	03D730	PTO CLUTCH CONTROL LEVER/WIRE	100A0187	
STEERING/FRONT AXLE	03E100	FRONT WHEEL	100A0187	
	03E50001	MAIN FRAME/STEERING SUPPORT	100A0187	
	03E700	POWER STEERING/STEERING HANDLE	100A0187	
LIFT LINK	03F350	LIFT LINK	100A0187	
HOOD (BONNET)	03G001	HOOD (BONNET)	100A0187	
	03G010	PANEL COVER	100A0187	
	03G030	FENDER	100A0187	
	03G040	SEAT	100A0187	
LABEL	03G100	LABEL	100A0187	
ACCESSORIES	03P001	ACCESSORIES AND SERVICE PARTS	100A0187	

CRANKCASE AND PISTON



E7194-002-10

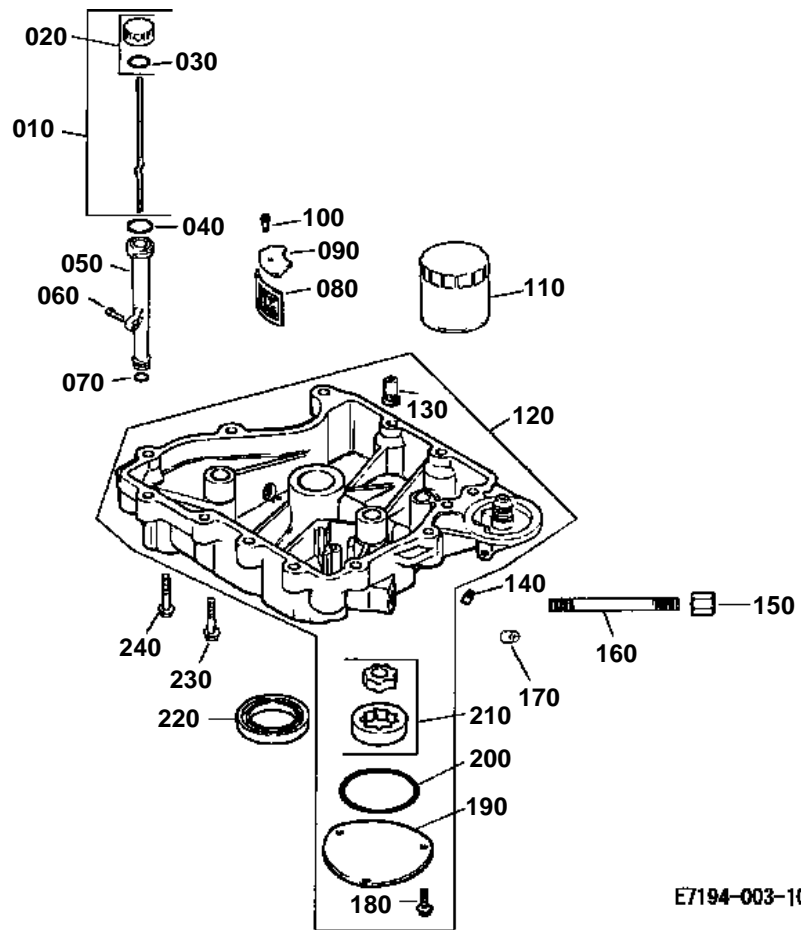


## CRANKCASE AND PISTON

↔ Interchangeable; ≠ not interchangeable; ← new for old; → old for new

REF.No	Part No.	Description	Q'ty	S.No.	I/C	REMARKS	Weight (kgf)	Weight (lb)
010	E7194-96260	SEAL CRANKSHAFT	1				0.209	0.4598
020	E7194-02110	SHORT BLOCK	1				0	0
030	E7194-01750	STRAP LIFTING	1				0	0
040	E7194-03460	BOLT FLANGE	1				0	0
050	E7194-94540	PIN LOCATING	4				0	0
060	E7194-22010	ROD CONNECTING	1			STD	0	0
060	E7194-22060	ROD CONNECTING	1			0.25mm	0	0
070	E7194-16150	KIT CAMSHAFT	1				0	0
080	E7194-15150	SPRING ACTUATING	1				0	0
090	E7194-16610	SHIM CAMSHAFT BLUE	1				0	0
090	E7194-16620	SHIM CAMSHAFT RED	1				0	0
090	E7194-16630	SHIM CAMSHAFT YELLOW	1				0	0
090	E7194-16640	SHIM CAMSHAFT GREEN	1				0	0
090	E7194-16650	SHIM CAMSHAFT GRAY	1				0	0
090	E7194-16660	SHIM CAMSHAFT BLACK	1				0	0
090	E7194-16670	SHIM CAMSHAFT WHITE	1				0	0
100	E7194-26350	SHAFT BALANCE	1				0	0
110	E7194-21840	SET RING PISTON	1			STD	0	0
111	E7194-21330	RETAINER PISTON PIN	2				0	0
112	E7194-21050	RING SET	1			STD	0	0
120	E7194-21850	SET RING PISTON	1			0.25mm	0	0
121	E7194-21090	RING SET	1			0.25mm	0	0
130	E7194-21860	SET RING PISTON	1			0.50mm	0	0
131	E7194-21100	RING SET	1			0.50mm	0	0
135	E7194-21870	SET RING PISTON	1			0.08mm	0	0
140	E7194-55450	PIN GOVERNOR	1				0	0
150	E7194-55290	GEAR GOVERNOR	1				0	0
160	E7194-55330	WASHER PLAIN	1				0	0
170	E7194-55310	SHAFT GOVERNOR GEAR	1				0	0
180	E7194-96270	PLUG CUP	1				0.002	0.0044
190	E7194-56170	KIT SHAFT GOVERNOR	1				0	0
200	E7194-56160	WASHER PLAIN	1				0	0
210	E7194-56180	SEAL GOVERNOR SHAFT	1				0	0
220	E7194-56190	WASHER PLAIN	1				0	0
230	E7194-56150	CLIP HITCH PIN	1				0	0

# OIL PAN



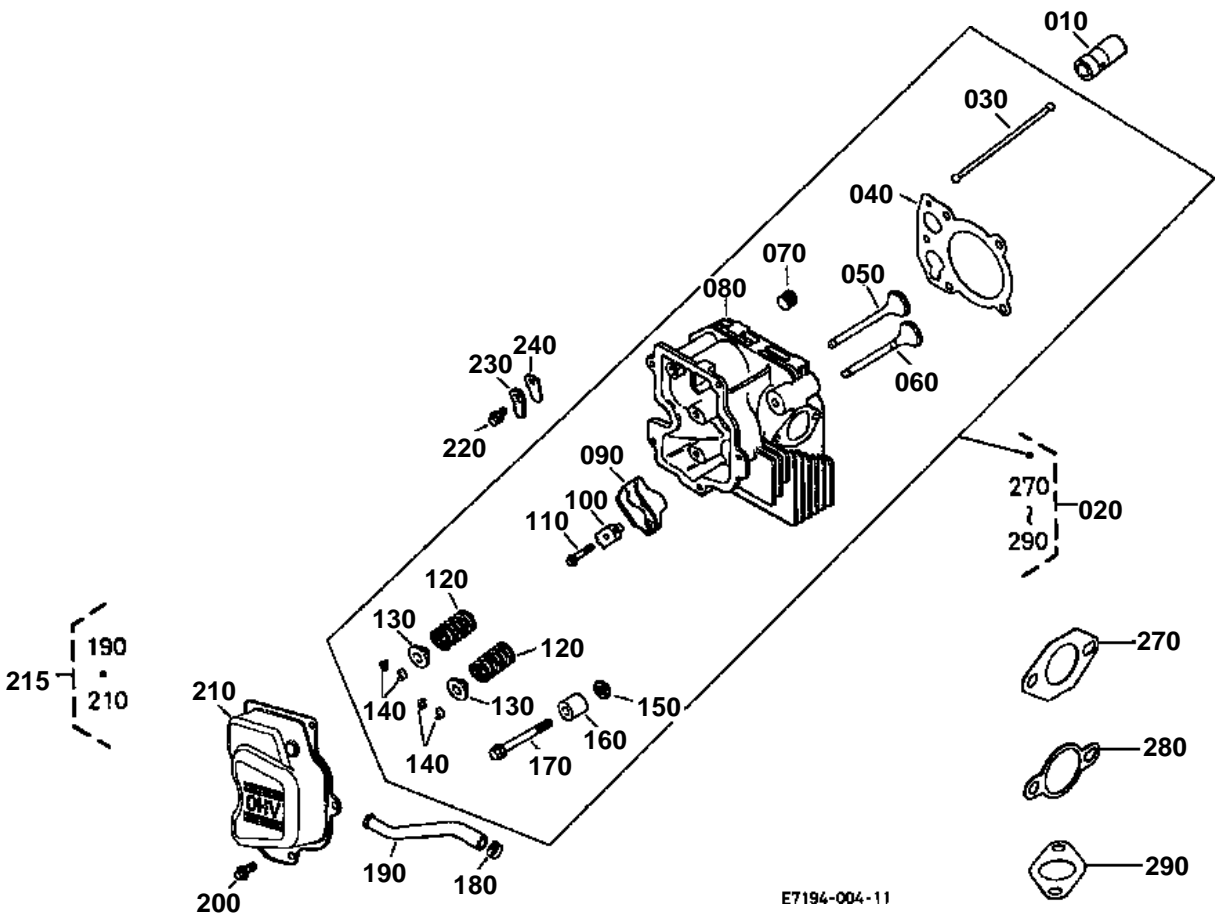


# OIL PAN

↔ Interchangeable; ≠ not interchangeable; ← new for old; → old for new

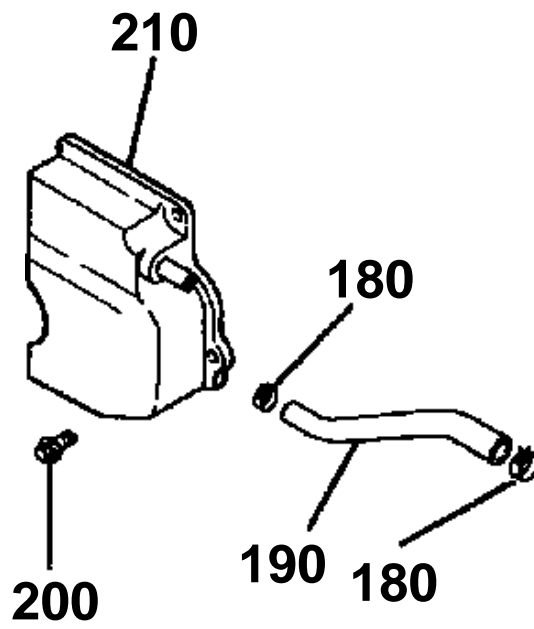
REF.No	Part No.	Description	Q'ty	S.No.	I/C	REMARKS	Weight (kgf)	Weight (lb)
010	E7194-36410	ASSY GAUGE OIL	1				0	0
020	E7194-36490	KIT CAP OIL FILLER	1				0.6	1.32
030	E7194-36480	O RING OIL GAUGE	1				0	0
040	E7194-36420	O RING OIL TUBE UP.	1				0	0
050	E7194-36440	TUBE OIL	1				0	0
060	E7194-36470	BOLT FLANGE	1				0	0
070	E7194-36430	O RING OIL TUBE LOW.	1				0	0
080	E7194-35060	SCREEN OIL PICK-UP	1				0	0
090	E7194-35140	COVER OIL SCREEN	1				0	0
100	E7194-35170	BOLT FLANGE	1				0	0
110	E7194-32110	FILTER OIL	1				0	0
120	E7194-01050	ASSY OIL PAN	1				0	0
130	E7194-36920	VALVE	1				0	0
140	E7194-32450	PLUG	1				0	0
150	E7194-96010	CAP PIPE	1				0.04	0.088
160	E7194-33730	NIPPLE	1				0	0
170	E7194-96020	PLUG	1				0	0
180	E7194-35170	BOLT FLANGE	3				0	0
190	E7194-35130	COVER OIL PUMP	1				0	0
200	E7194-35160	O RING PUMPE COVER	1				0	0
210	E7194-35070	ASSY PUMP OIL	1				0	0
220	E7194-04140	SEAL OIL	1				0	0
230	E7194-91110	BOLT FLANGE	11				0	0
240	E7194-91120	BOLT FLANGE	1				0	0

CYLINDER HEAD





OLD PART



E7194-800-11



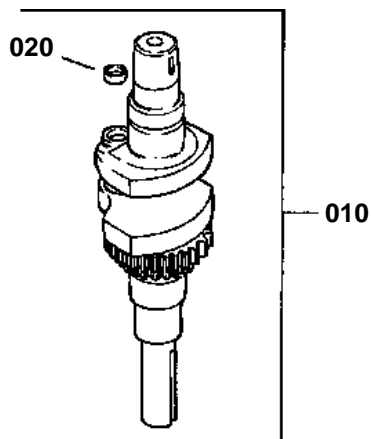
## CYLINDER HEAD

↔ Interchangeable; ≠ not interchangeable; ← new for old; → old for new

REF.No	Part No.	Description	Q'ty	S.No.	I/C	REMARKS	Weight (kgf)	Weight (lb)
010	E7194-15550	LIFTER VALVE	2				0	0
020	E7194-03020	KIT CYLINDER HEAD	1				0	0
030	E7194-15110	PUSH ROD	2				0	0
040	E7194-03310	GASKET CYL.HEAD	1				0.025	0.055
050	E7194-13110	VALVE INTAKE	1			STD	0	0
050	E7194-13010	VALVE INTAKE	1			0.25mm	0	0
060	E7194-13120	VALVE EXHAUST	1			STD	0	0
060	E7194-13020	VALVE EXHAUST	1			0.25mm	0	0
070	E7194-96030	PLUG	1				0	0
080	E7194-03110	CYLINDER HEAD	1				0	0
090	E7194-14110	ARM ROCKER	2				0	0
100	E7194-14350	PIVOT ROCKER ARM	2				0	0
110	E7194-14230	BOLT FLANGE	2				0	0
120	E7194-13240	SPRING VALVE	2				0	0
130	E7194-13330	CAP VALVE SPRING	2				0	0
140	E7194-13360	KIT RETAINER	2				0	0
150	E7194-03540	WASHER PLAIN	1				0	0
160	E7194-14520	SPACER EXHAUST PORT	1				0	0
170	E7194-03450	BOLT FLANGE	5				0	0
180	E7194-05520	CLAMP HOSE	2			S.No.<=3130299999	0	0
180	E7194-05520	CLAMP HOSE	1			S.No.>=3130300000	0	0
190	E7194-05550	HOSE BREATHER	1			S.No.<=3130299999	0	0
190	E7194-05560	HOSE BREATHER	1		≠	S.No.>=3130300000	0	0
200	E7194-43060	BOLT FLANGE	5			S.No.<=3130299999	0	0
200	E7194-91060	BOLT FLANGE	4		≠	S.No.>=3130300000	0	0
210	E7194-14510	COVER VALVE	1			S.No.<=3130299999	0	0
210	E7194-14500	COVER VALVE	1		≠	S.No.>=3130300000(NOT SALE/ORDER BY 215)	0	0
215	E7194-94110	KIT COVER VALVE	1				0	0
220	E7194-05220	BOLT FLANGE	1				0	0
230	E7194-05230	RETAINER	1				0	0
240	E7194-05210	LEAD BREATHER	1				0	0
250	99999-99999	BLANK	0				0	0
260	99999-99999	BLANK	0				0	0
270	E7194-46170	GASKET CARBURETTOR	2				0	0
280	E7194-11510	GASKET AIR CLEANER	1				0	0
290	E7194-12230	GASKET	1				0.006	0.0132

# CRANKSHAFT

---



E7194-001-10

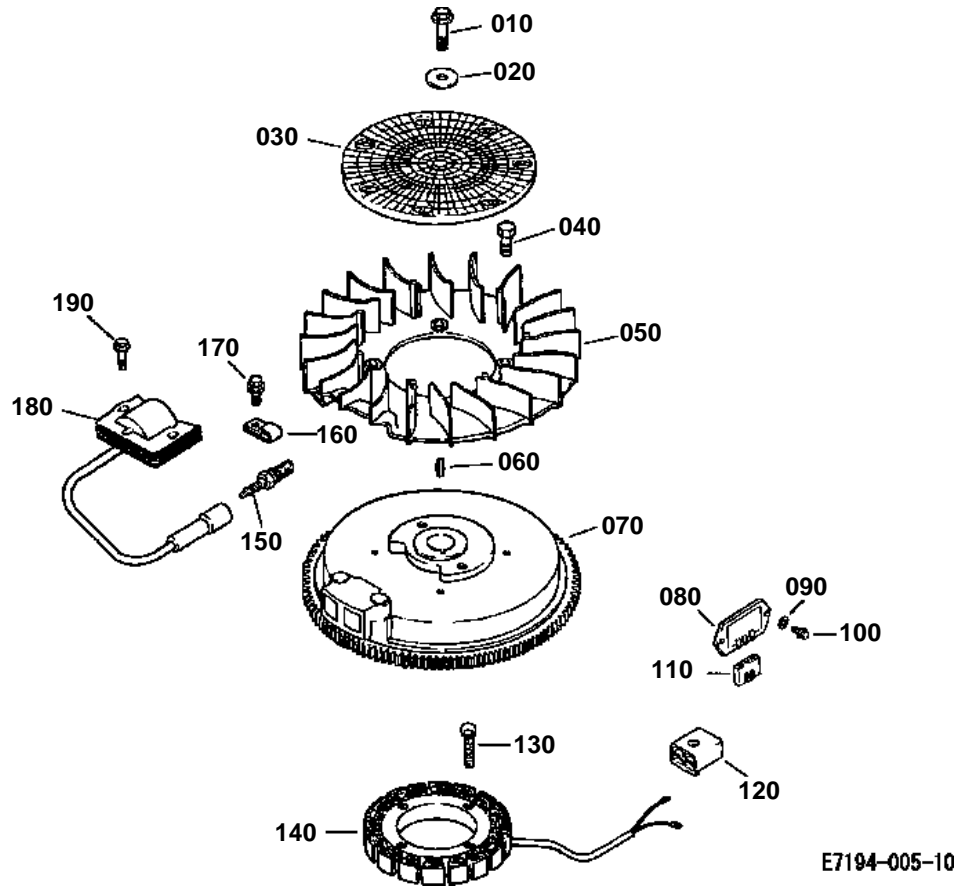


# CRANKSHAFT

↔ Interchangeable; ≠ not interchangeable; ← new for old; → old for new

REF.No	Part No.	Description	Q'ty	S.No.	I/C	REMARKS	Weight (kgf)	Weight (lb)
010	E7194-23010	CRANKSHAFT	1				0	0
020	E7194-23040	PLUG CUP	1				0	0

FLYWHEEL

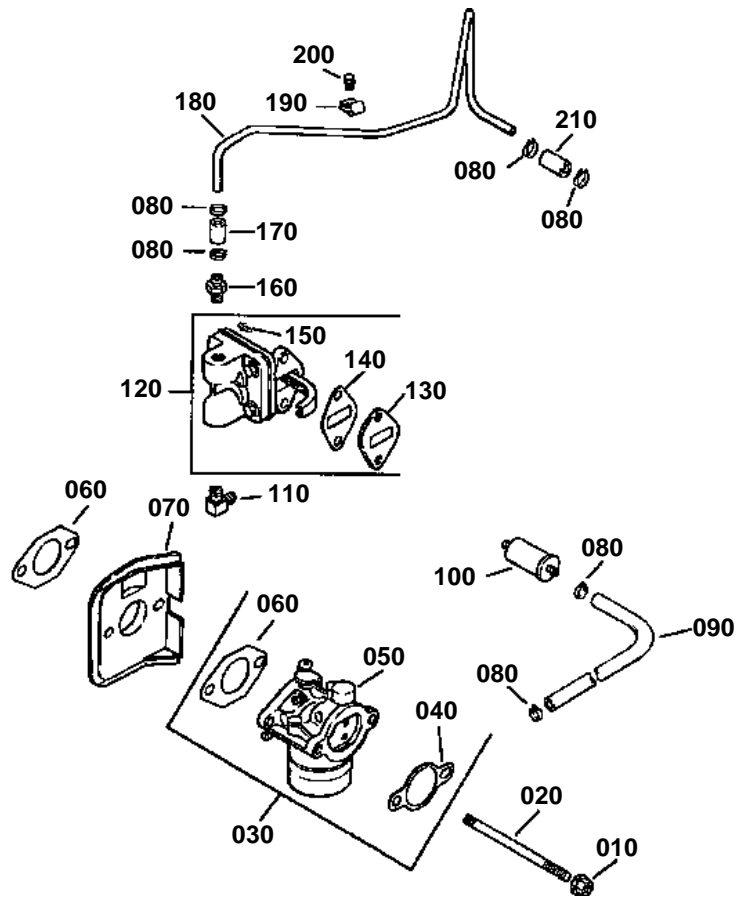


**FLYWHEEL**

↔ Interchangeable; ≠ not interchangeable; ← new for old; → old for new

REF.No	Part No.	Description	Q'ty	S.No.	I/C	REMARKS	Weight (kgf)	Weight (lb)
010	E7194-75350	BOLT FLANGE	1				0	0
020	E7194-74450	WASHER PLAIN	1				0	0
030	E7194-75370	SCREEN GLASS	1				0	0
040	E7194-68150	BOLT	4				0	0
050	E7194-74460	FAN	1				0	0
060	E7194-95250	KEY	1				0	0
070	E7194-25110	FLYWHEEL	1				0	0
080	E7194-55230	RECTIFIER REGULATOR	1				0	0
090	E7194-35180	WASHER PLAIN	1				0	0
100	E7194-35190	BOLT	2				0	0
110	E7194-68020	CONNECTER	1				0	0
120	E7194-68010	CONNECTOR	1				0	0
130	E7194-91010	BOLT	2				0	0
140	E7194-67070	KIT STATER	1				0	0
150	E7194-67740	SPARK PLUG	1				0	0
160	E7194-67090	CLIP	2				0	0
170	E7194-05220	BOLT FLANGE	2				0	0
180	E7194-67060	MODULE IGNITION	1				0	0
190	E7194-67020	BOLT FLANGE	2				0	0
200	E7194-68050	WIRE HARNESS	1			NOT SHOWN IN FIG.	0	0
210	E7194-68060	WIRE HARNESS	1			NOT SHOWN IN FIG.	0	0
220	E7194-49110	WIRE HARNESS	1			NOT SHOWN IN FIG.	0	0
230	E7194-57320	CLAMP CABLE	2			NOT SHOWN IN FIG.	0	0
240	E7194-68170	TIE WIRE	1			NOT SHOWN IN FIG.	0	0
250	E7194-68070	WIRE HARNESS	1			NOT SHOWN IN FIG.	0	0

# CARBURETTOR



E7194-008-10

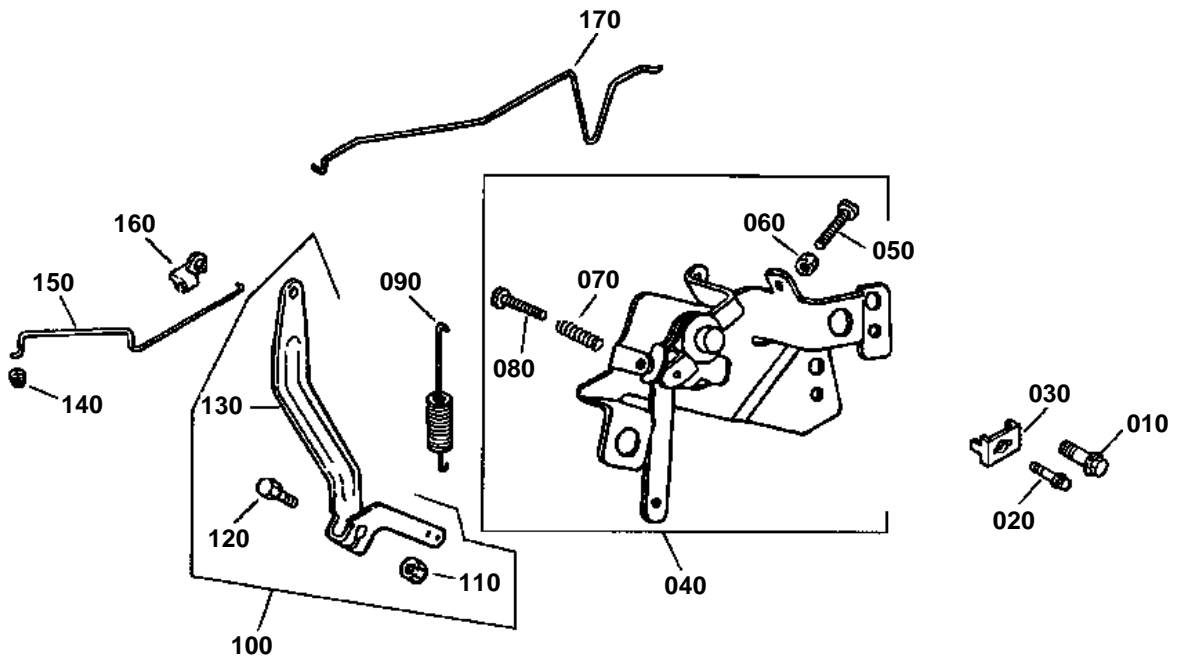
**CARBURETTOR**

↔ Interchangeable; ≠ not interchangeable; ← new for old; → old for new

REF.No	Part No.	Description	Q'ty	S.No.	I/C	REMARKS	Weight (kgf)	Weight (lb)
010	E7194-49140	NUT FLANGE	2				0	0
020	E7194-46140	STUD	2				0	0
030	E7194-44000	KIT CARBURETTOR	1				0	0
040	E7194-11510	GASKET AIR CLEANER	1				0	0
050	E7194-44010	ASSY CARBURETTOR	1			NOT SALE/ORDER BY REF.No.030	0	0
060	E7194-46170	GASKET CARBURETTOR	1				0	0
070	E7194-46150	DEFLECTOR	1				0	0
080	E7194-30110	CLAMP HOSE	6				0.008	0.0176
090	E7194-42182	TUBE FUEL	1				0.043	0.0946
100	E7194-43120	FILTER FUEL	1				0	0
110	E7194-43910	JOINT	1				0	0
120	E7194-43010	KIT FUEL PUMP	1				0	0
130	E7194-43020	SPACER	1				0	0
140	E7194-43030	GASKET FUEL PUMP	2				0	0
150	E7194-43060	BOLT FLANGE	2				0	0
160	E7194-43920	JOINT PIPE	1				0	0
170	E7194-43070	TUBE FUEL	1				0	0
180	E7194-73350	PIPE FUEL	1				0	0
190	E7194-43080	CLIP	1				0	0
200	E7194-05220	BOLT FLANGE	1				0	0
210	E7194-73370	TUBE FUEL	1				0	0
220	E7194-44520	BOLT	1			NOT SHOWN IN FIG.	0	0
230	E7194-44710	WASHER SPRING	1			NOT SHOWN IN FIG.	0	0
240	E7194-44720	KIT FLOAT	1			NOT SHOWN IN FIG.	0	0
250	E7194-46160	KIT CARBURETT.REPAIR	1			NOT SHOWN IN FIG.	0	0
260	E7194-44550	KIT CHOKE	1			NOT SHOWN IN FIG.	0	0
270	E7194-83500	KIT SOLENOID	1			NOT SHOWN IN FIG.	0	0



SPEED CONTROL PLATE



E7194-009-10

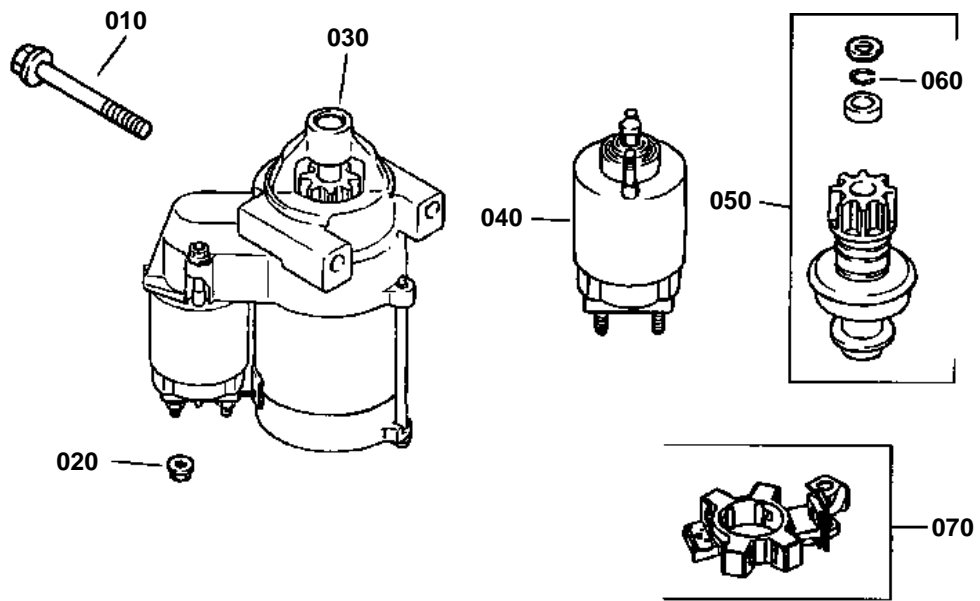


## SPEED CONTROL PLATE

↔ Interchangeable; ≠ not interchangeable; ← new for old; → old for new

REF.No	Part No.	Description	Q'ty	S.No.	I/C	REMARKS	Weight (kgf)	Weight (lb)
010	E7194-57140	BOLT	2				0	0
020	E7194-35170	BOLT FLANGE	2				0	0
030	E7194-57320	CLAMP CABLE	1				0	0
040	E7194-57000	ASSY SPEED CONTROL	1				0	0
050	E7194-57410	BOLT FLANGE	1				0	0
060	E7194-57390	NUT FLANGE	1				0	0
070	E7194-56860	SPRING	2				0	0
080	E7194-93410	BOLT	1				0	0
090	E7194-56410	SPRING GOVERNOR	1				0.008	0.0176
100	E7194-56020	KIT LEVER GOVERNOR	1				0	0
110	E7194-92020	NUT FLANGE	1				0	0
120	E7194-56120	BOLT FLANGE	1				0	0
130	E7194-56110	LEVER GOVERNOR	1				0	0
140	E7194-56910	BUSHING LINKAGE	1				0	0
150	E7194-56350	LINKAGE THROTTLE	1				0	0
160	E7194-56920	BUSHING LINKAGE	1				0	0
170	E7194-57810	LINKAGE CHOKE	1				0	0

STARTER



E7194-007-10

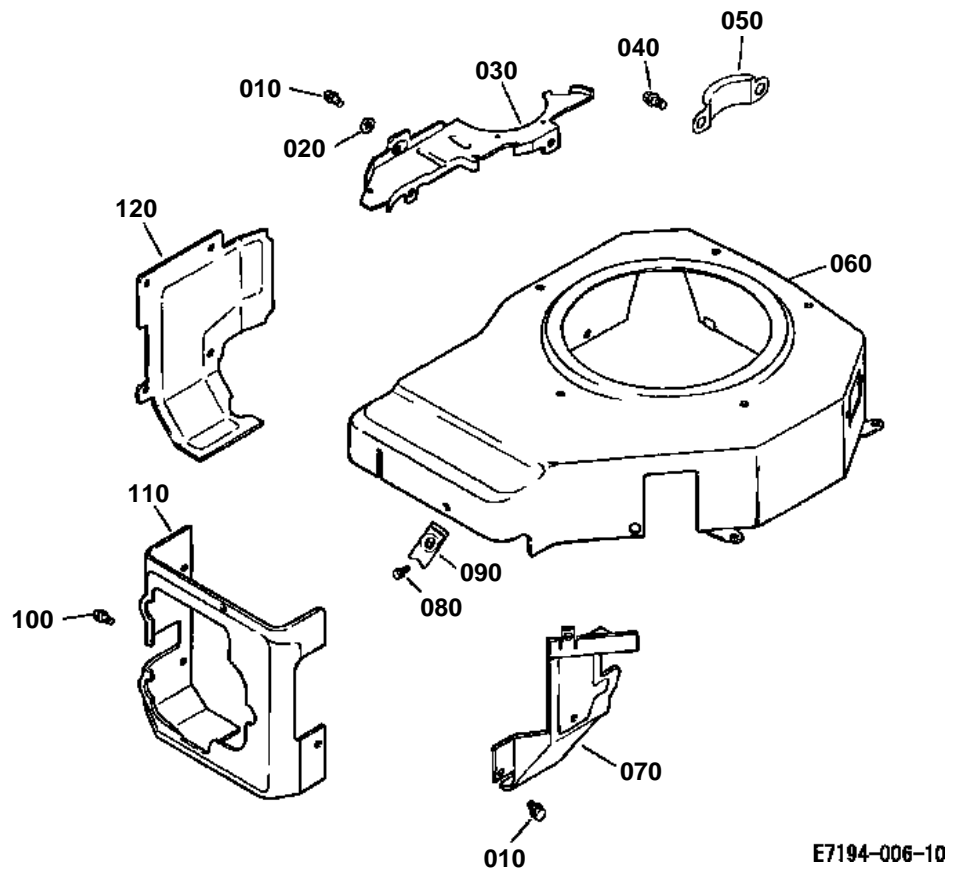


# STARTER

↔ Interchangeable; ≠ not interchangeable; ← new for old; → old for new

REF.No	Part No.	Description	Q'ty	S.No.	I/C	REMARKS	Weight (kgf)	Weight (lb)
010	E7194-63320	BOLT FLANGE	2				0	0
020	E7194-92010	NUT FLANGE	1				0	0
030	E7194-63010	ASSY STARTER	1				3.87	8.514
040	E7194-63080	KIT SOLENOID	1				0	0
050	E7194-63040	KIT PINIONDDRIVE	1				0	0
060	E7194-63120	RING	1				0	0
070	E7194-63380	KIT BRUSH	1				0	0

FAN COVER



E7194-006-10

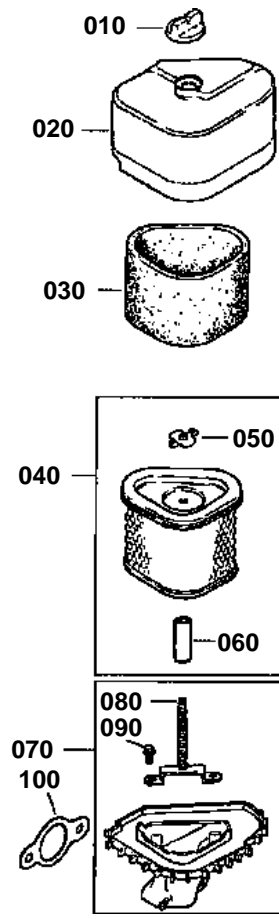


# FAN COVER

↔ Interchangeable; ≠ not interchangeable; ← new for old; → old for new

REF.No	Part No.	Description	Q'ty	S.No.	I/C	REMARKS	Weight (kgf)	Weight (lb)
010	E7194-05220	BOLT FLANGE	6				0	0
020	E7194-74430	WASHER PLAIN	1				0	0
030	E7194-75390	PLATE BLOWER HOUSING	1				0	0
040	E7194-57380	BOLT FLANGE	2				0	0
050	E7194-74490	COVER PINION	1				0	0
060	E7194-85200	KIT BLOWER HOUSING	1				0	0
070	E7194-75500	BAFFLE INTAKE SIDE	1				0	0
080	E7194-93170	BOLT	3				0	0
090	E7194-67580	CLIP MOUNTING	3				0	0
100	E7194-91060	BOLT FLANGE	2				0	0
110	E7194-74470	BAFFLE CYLINDER HEAD	1				0	0
120	E7194-74480	BAFFLE CYLINDER	1				0	0
130	E7194-47190	LABEL WARNING	1				0	0

AIR CLEANER



E7194-010-10



# AIR CLEANER

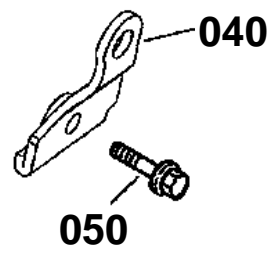
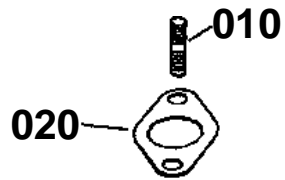
↔ Interchangeable; ≠ not interchangeable; ← new for old; → old for new

REF.No	Part No.	Description	Q'ty	S.No.	I/C	REMARKS	Weight (kgf)	Weight (lb)
010	E7194-92620	KNOB AIR CLEAN.COVER	1				0	0
020	E7194-58220	COVER AIR CLEANER	1				0	0
030	E7194-11220	PRECLEANER	1				0	0
040	E7194-11210	ELEMENT A/C	1				0	0
050	E7194-11180	NUT WING	1				0	0
060	E7194-11020	SEAL	1				0	0
070	E7194-11600	BASE AIR CLEANER	1				0	0
080	E7194-11030	STUD	1				0	0
090	E7194-49120	BOLT	2				0	0
100	E7194-11510	GASKET AIR CLEANER	1				0	0
110	E7194-11010	KIT AIR CLEANER SEAL	1				0	0
120	E7194-47160	LABEL AIR CLEANER	1			NOT SHOWN IN FIG.	0	0



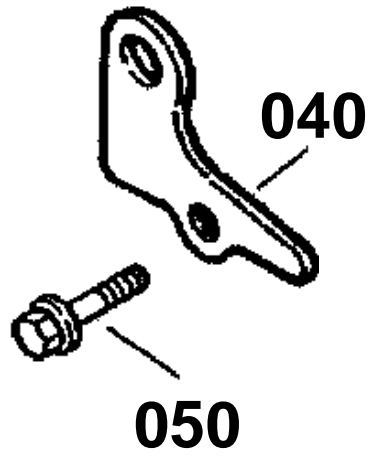
EXHAUST PARTS

---



E7194-011-11

OLD PART



E7194-801-11

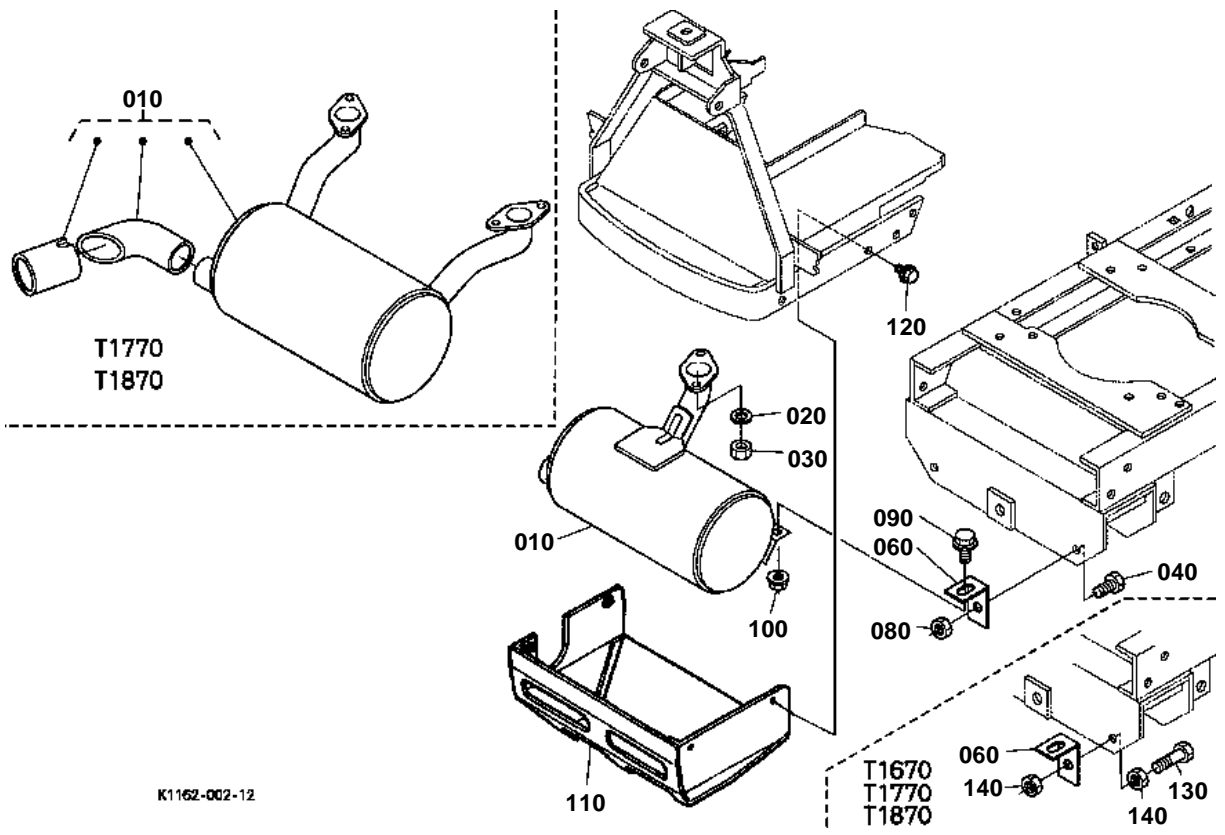


## EXHAUST PARTS

↔ Interchangeable; ≠ not interchangeable; ← new for old; → old for new

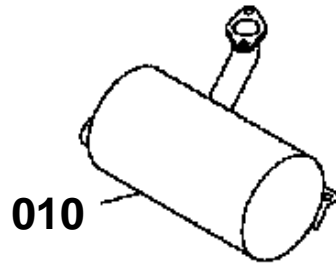
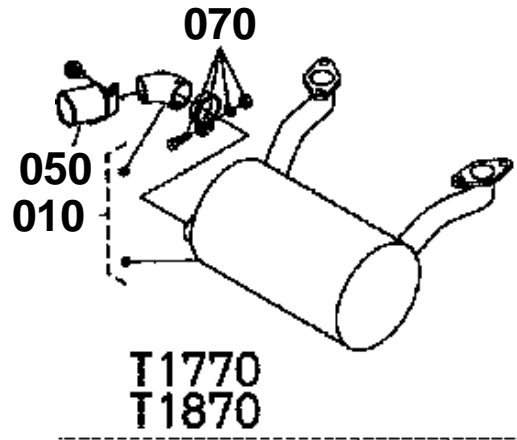
REF.No	Part No.	Description	Q'ty	S.No.	I/C	REMARKS	Weight (kgf)	Weight (lb)
010	E7194-91130	STUD	2				0	0
020	E7194-12230	GASKET	1				0.006	0.0132
030	99999-99999	BLANK	0				0	0
040	E7194-12510	STRAP LIFTING	1			S.No.<=3130299999	0.024	0.0528
040	E7194-12500	STRAP LIFTING	1		≠	S.No.>=3130300000	0	0
050	E7194-36470	BOLT FLANGE	1			S.No.<=3130299999	0	0
050	E7194-43060	BOLT FLANGE	1		≠	S.No.>=3130300000	0	0
060	E7194-25060	SET GASKET	1			NOT SHOWN IN FIG.	0	0

MUFFLER



K1162-002-12

OLD PART



K1162-800-10

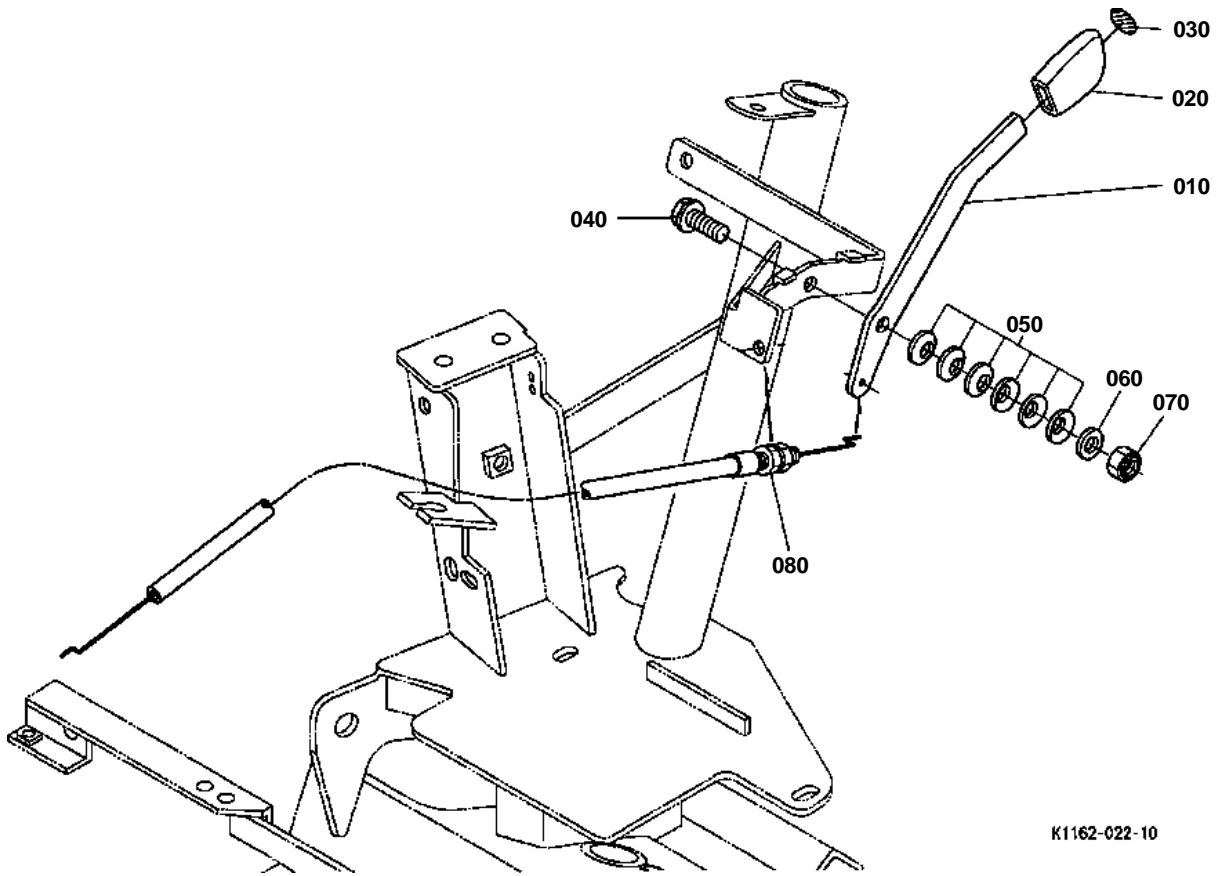


# MUFFLER

↔ Interchangeable; ≠ not interchangeable; ← new for old; → old for new

REF.No	Part No.	Description	Q'ty	S.No.	I/C	REMARKS	Weight (kgf)	Weight (lb)
010	K1162-25110	MUFFLER	1	<=11007			0	0
010	K1162-25113	MUFFLER	1	>=11008	←		0	0
020	75599-33012	WASHER SPRING	2				0.002	0.0044
030	02156-50080	NUT	2				0.004	0.0088
060	K1162-25123	STAY MUFFLER	1				0	0
090	01754-50816	BOLT FLANGE	1				0.011	0.0242
100	02751-50080	NUT FLANGE	1				0.006	0.0132
110	K1162-25210	COVER MUFFLER	1				0	0
120	01754-50616	BOLT FLANGE	4				0.006	0.0132
130	01053-51040	BOLT	2				0.035	0.077
140	02014-50100	NUT	4				0.011	0.0242

ACCELERATOR LEVER



K1162-022-10



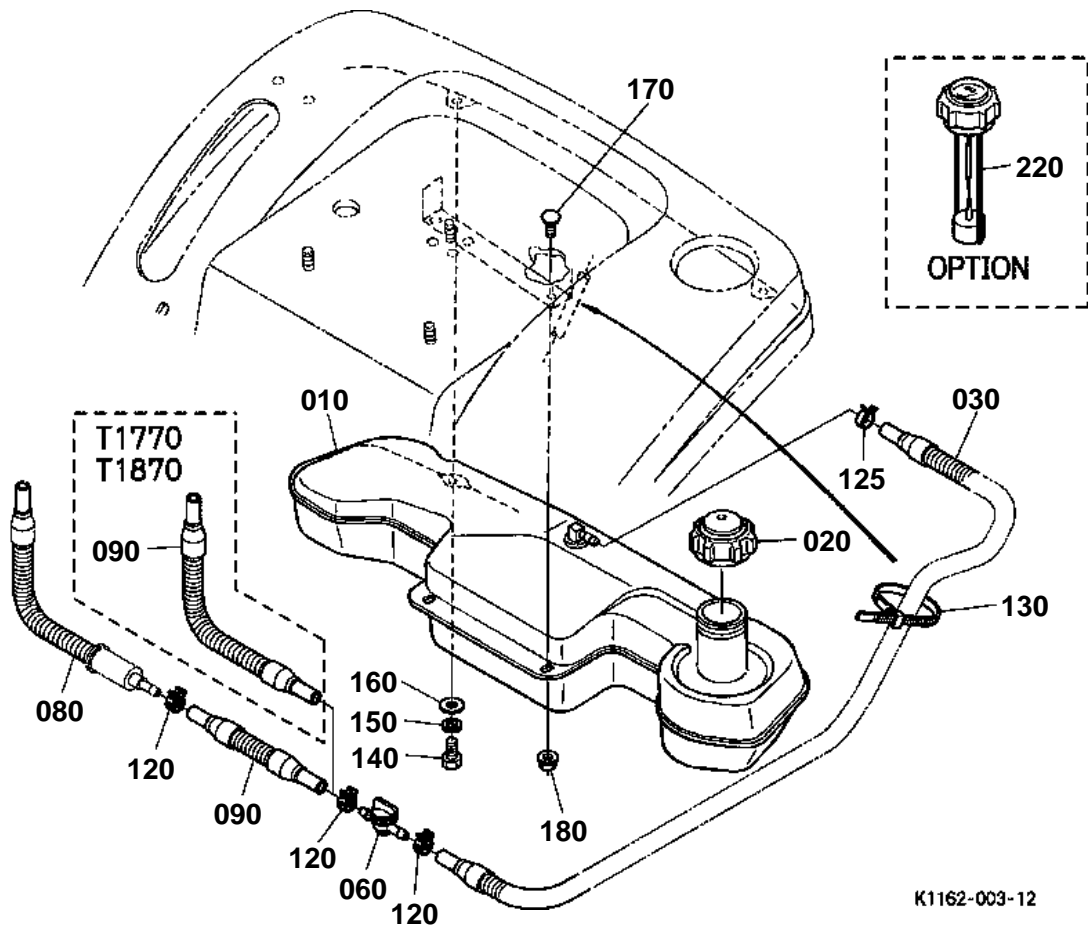
## ACCELERATOR LEVER

↔ Interchangeable; ≠ not interchangeable; ← new for old; → old for new

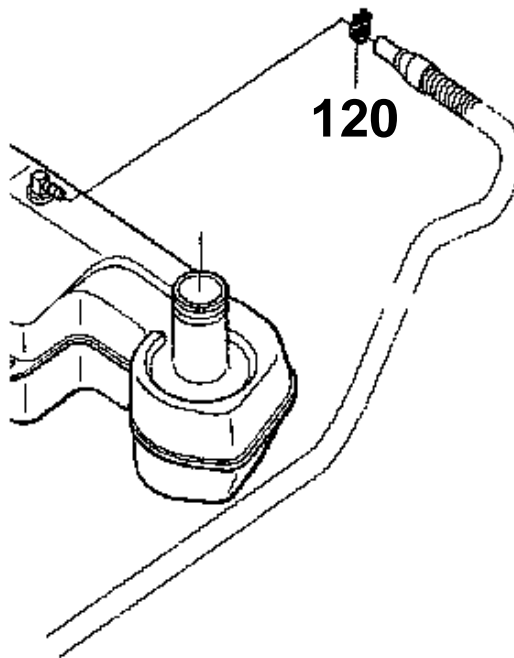
REF.No	Part No.	Description	Q'ty	S.No.	I/C	REMARKS	Weight (kgf)	Weight (lb)
010	K1221-45110	LEVER ACCEL	1				0	0
020	K1122-45120	GRIP ACCEL	1				0.03	0.066
030	K1122-65240	MARK GRIP ACCEL	1				0.001	0.0022
040	01754-50820	BOLT FLANGE	1				0.015	0.033
050	K1122-89470	DISK SPRING	6				0.001	0.0022
060	K1122-89510	WASHER ATA	1				0.002	0.0044
070	K5112-72840	NUT LOCK	1				0.005	0.011
080	K1162-45152	WIRE ENGINE	1				0	0



# FUEL TANK



OLD PART



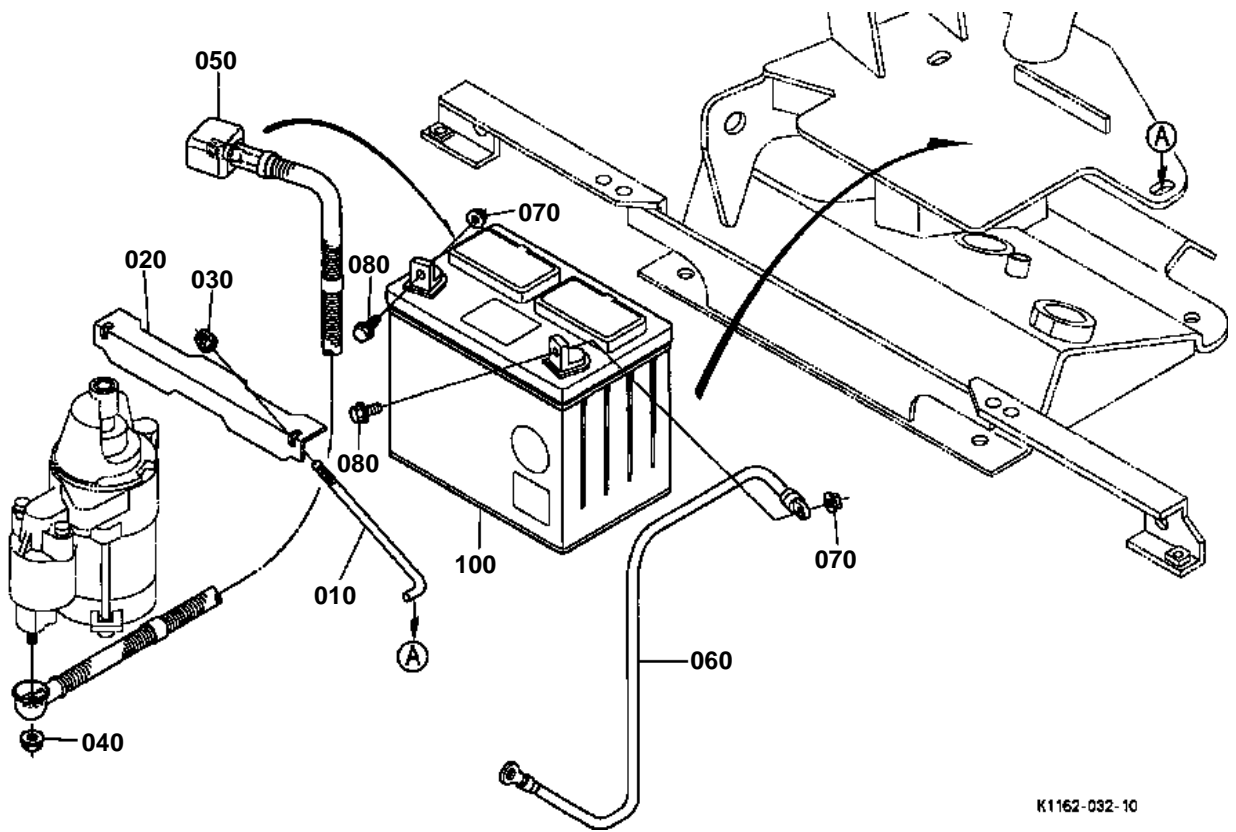
K1162-801-10

**FUEL TANK**

↔ Interchangeable; ≠ not interchangeable; ← new for old; → old for new

REF.No	Part No.	Description	Q'ty	S.No.	I/C	REMARKS	Weight (kgf)	Weight (lb)
010	K1221-24012	TANK FUEL	1				0	0
020	K1211-24120	CAP FUEL	1				0	0
030	K1122-24020	ASSY HOSE FUEL	1				0.25	0.55
040	99999-99999	BLANK	0				0	0
050	99999-99999	BLANK	0				0	0
060	K1142-24260	VALVE FUEL	1				0	0
070	99999-99999	BLANK	0				0	0
080	K1162-24250	CONVOLUTED CONDUIT	1				0	0
090	K1162-24030	ASSY HOSE FUEL	1				0	0
100	99999-99999	BLANK	0				0	0
110	99999-99999	BLANK	0				0	0
120	09318-88105	CLAMP HOSE	4	≤11007			0.01	0.022
120	09318-88105	CLAMP HOSE	3	≥11008			0.01	0.022
125	E7194-30110	CLAMP HOSE	1	≥11008			0.008	0.0176
130	K1122-61230	CLAMP CORD	1				0.001	0.0022
140	01053-51018	BOLT	2				0.02	0.044
150	04512-60100	WASHER SPRING	2				0.002	0.0044
160	K1122-21160	WASHER PLAIN	2				0.006	0.0132
170	K1122-91320	BOLT SHORT SQU.NECK	2				0.01	0.022
180	02751-50080	NUT FLANGE	2				0.006	0.0132
190	99999-99999	BLANK	0				0	0
200	99999-99999	BLANK	0				0	0
210	99999-99999	BLANK	0				0	0

BATTERY



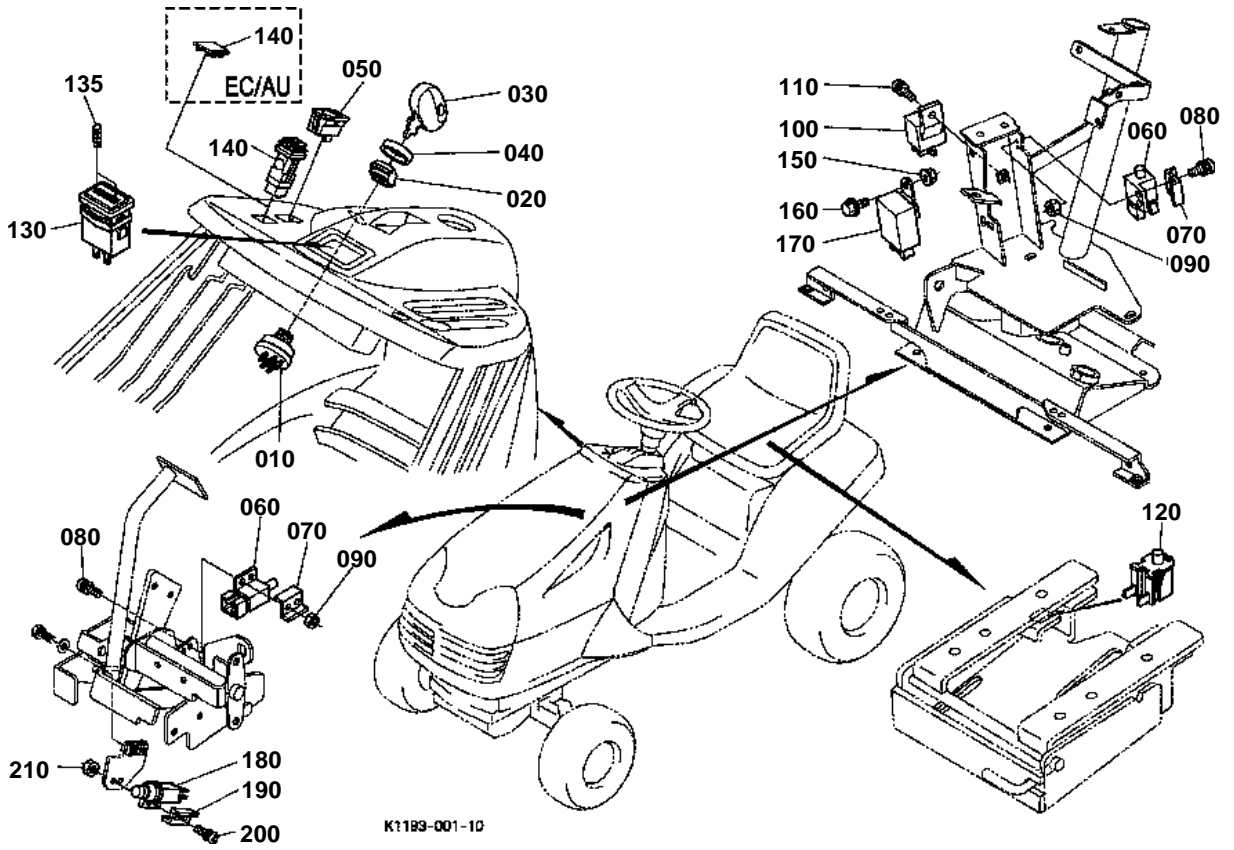
K1162-032-10

**BATTERY**

↔ Interchangeable; ≠ not interchangeable; ← new for old; → old for new

REF.No	Part No.	Description	Q'ty	S.No.	I/C	REMARKS	Weight (kgf)	Weight (lb)
010	K1122-61130	ROD BATTERY	2				0.04	0.088
020	K1122-61120	HOLDER BATTERY	1				0.22	0.484
030	02751-50060	NUT FLANGE	2				0.005	0.011
040	02751-50080	NUT FLANGE	1				0.006	0.0132
050	K1122-61310	CABLE BATTERY(+)	1				0.14	0.308
060	K1122-61350	CABLE BATTERY(-)	1				0.08	0.176
070	02751-50060	NUT FLANGE	2				0.005	0.011
080	01754-50616	BOLT FLANGE	2				0.006	0.0132
090	99999-99999	BLANK	0				0	0
100	K1221-95610	BATTERY DRY	1				0	0

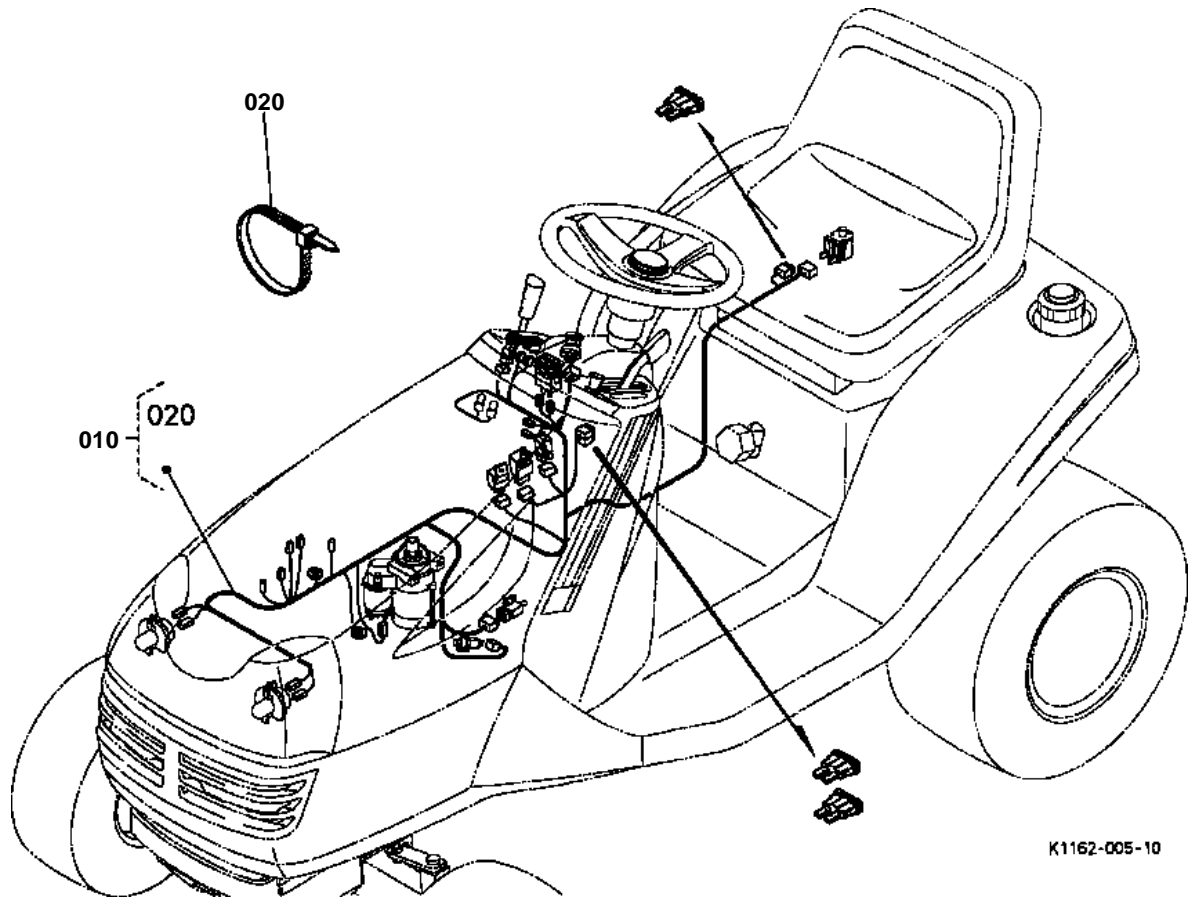
ELECTRICAL PARTS



**ELECTRICAL PARTS**

↔ Interchangeable; ≠ not interchangeable; ← new for old; → old for new

REF.No	Part No.	Description	Q'ty	S.No.	I/C	REMARKS	Weight (kgf)	Weight (lb)
010	K1122-62110	SWITCH MAIN	1				0.06	0.132
020	K1122-62150	NUT SWITCH MAIN	1				0.015	0.033
030	K1122-62130	KEY MAIN SWITCH	2				0.009	0.0198
040	K1122-62160	COVER MAIN SWITCH	1				0.004	0.0088
050	K1122-62210	SWITCH LIGHT	1				0.018	0.0396
060	K1122-62250	SWITCH SAFETY	2				0.02	0.044
070	K1122-62310	RETAINER SWITCH	2				0.003	0.0066
080	03024-50520	SCREW WITH WASHER	4				0.004	0.0088
090	02054-50050	NUT	4				0.002	0.0044
100	K1122-62260	RELAY	1				0.04	0.088
110	03024-50520	SCREW WITH WASHER	1				0.004	0.0088
120	K1122-62280	SWITCH SEAT	1				0.011	0.0242
130	K1122-95820	METER HOUR	1			OPTION	0.1	0.22
140	K2110-62810	SWITCH NMR	1			WITHOUT EC	0	0
140	K1173-57150	COVER SWITCH	1			EC	0	0
150	02751-50060	NUT FLANGE	1			WITHOUT EC	0.005	0.011
160	01754-50616	BOLT FLANGE	1			WITHOUT EC	0.006	0.0132
170	K2110-62830	RELAY UNIT NMR	1			WITHOUT EC	0	0
180	K2110-62840	SWITCH REVERSE	1			WITHOUT EC	0	0
190	K1122-62310	RETAINER SWITCH	1			WITHOUT EC	0.003	0.0066
200	03024-50520	SCREW WITH WASHER	2			WITHOUT EC	0.004	0.0088
210	02054-50050	NUT	2			WITHOUT EC	0.002	0.0044





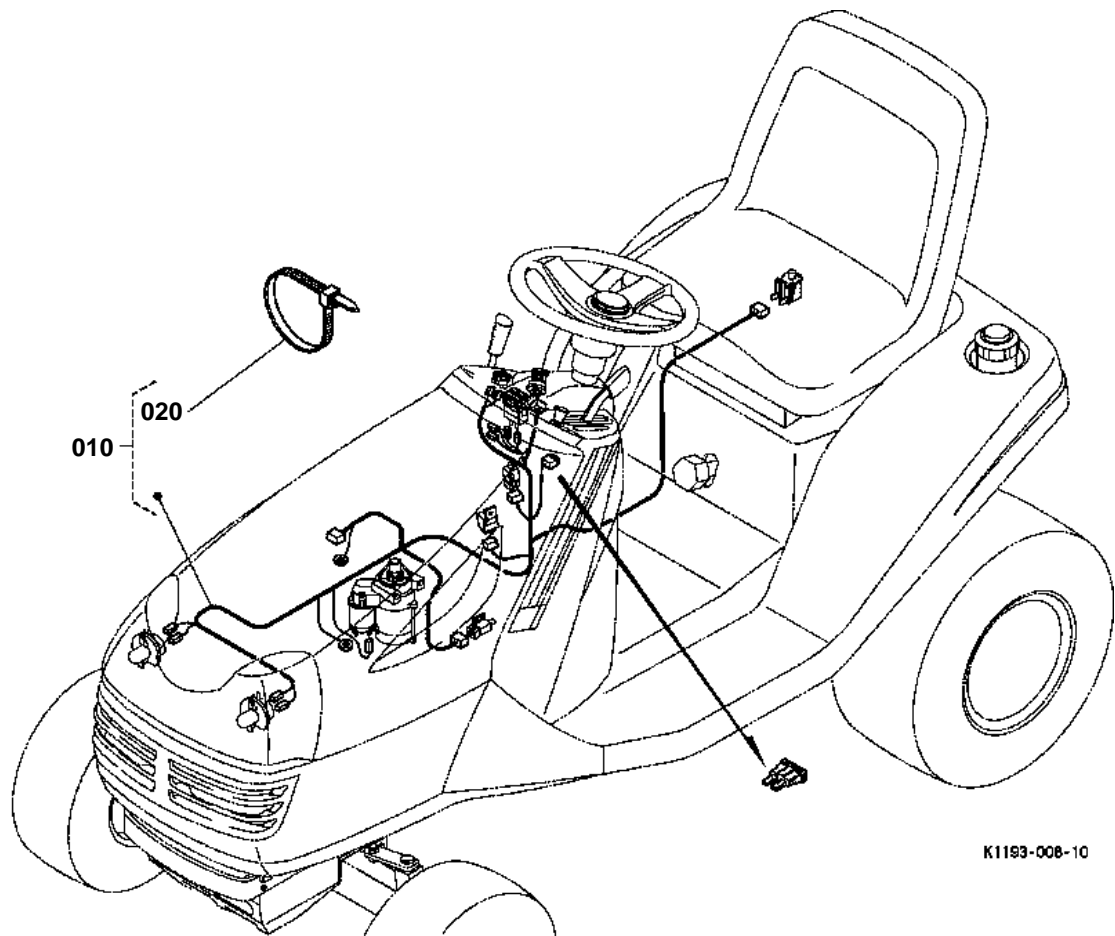


**ELECTRICAL WIRING**  
[A][CA][AU]

↔ Interchangeable; ≠ not interchangeable; ← new for old; → old for new

REF.No	Part No.	Description	Q'ty	S.No.	I/C	REMARKS	Weight (kgf)	Weight (lb)
010	K1162-61510	ASSY WIRE HARNESSNMR	1	<=10007			0	0
010	K1162-61513	ASSY WIRE HARNESSNMR	1	>=10008	←		0	0
020	K1122-61230	CLAMP CORD	21				0.001	0.0022

# ELECTRICAL WIRING

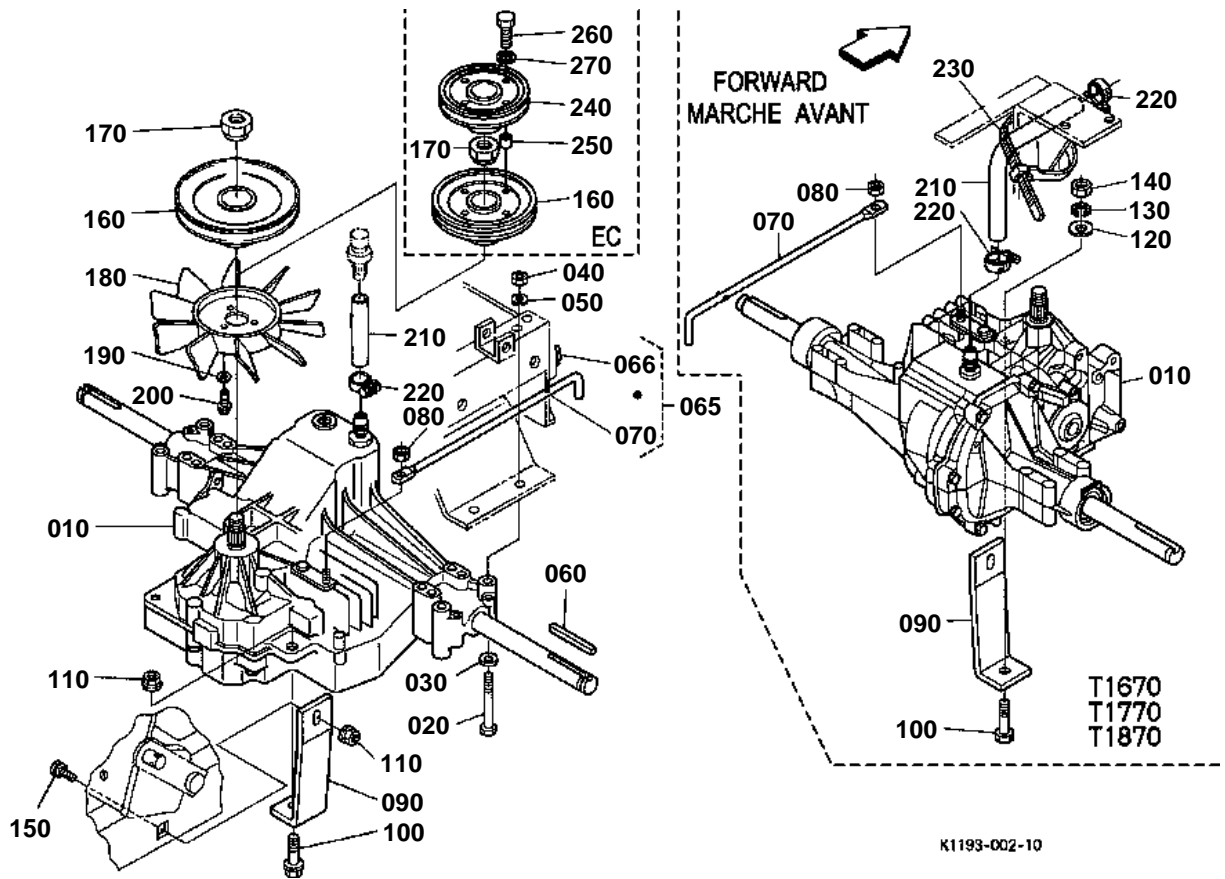




**ELECTRICAL WIRING**  
[EC]

↔ Interchangeable; ≠ not interchangeable; ← new for old; → old for new

REF.No	Part No.	Description	Q'ty	S.No.	I/C	REMARKS	Weight (kgf)	Weight (lb)
010	K1173-61510	ASSY WIRE HARNESS	1				0	0
020	K1122-61230	CLAMP CORD	21				0.001	0.0022



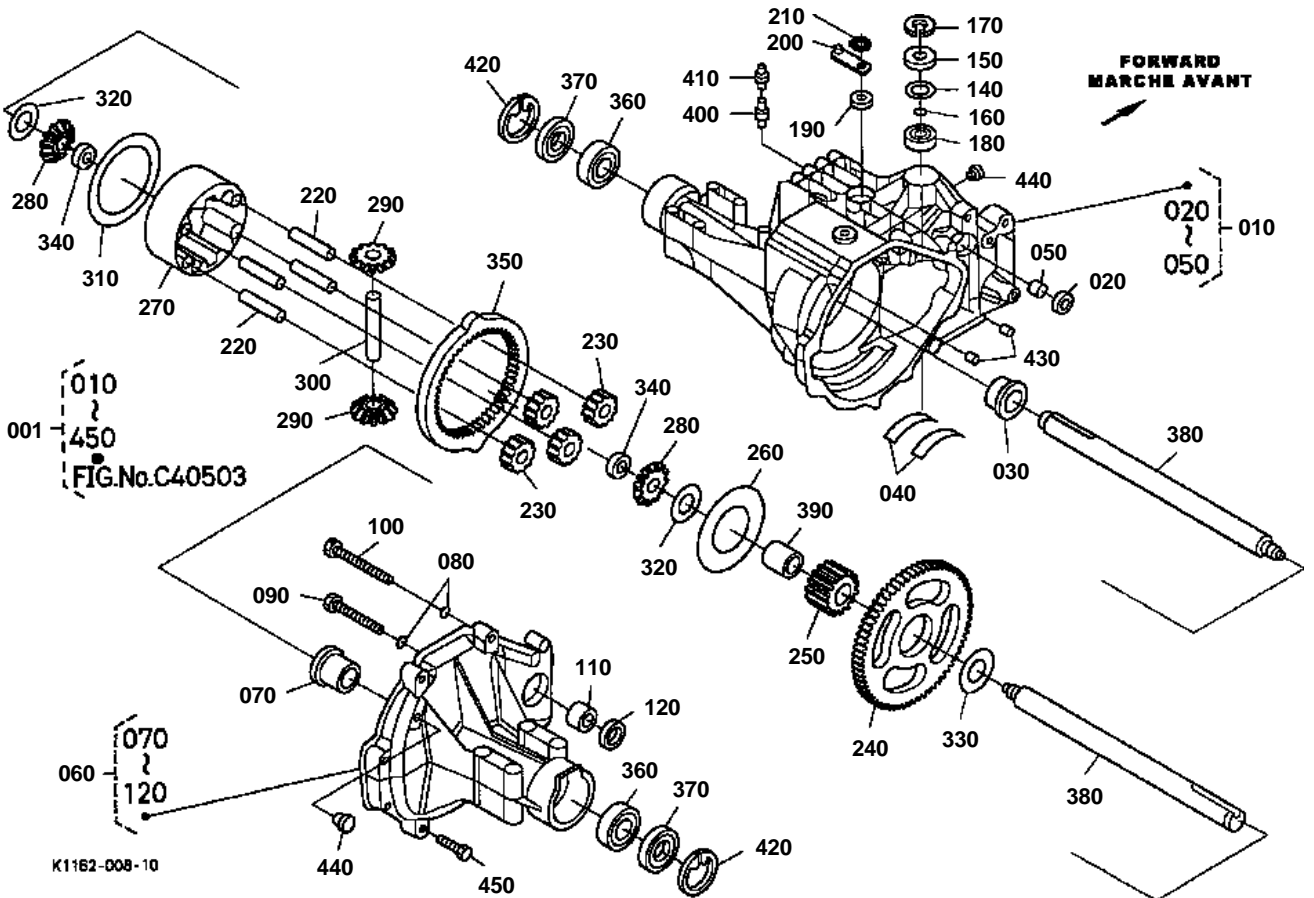


HST

↔ Interchangeable; ≠ not interchangeable; ← new for old; → old for new

REF.No	Part No.	Description	Q'ty	S.No.	I/C	REMARKS	Weight (kgf)	Weight (lb)
010	K1132-11110	ASSY HST TRANSAXLE	1				0	0
020	01754-50875	BOLT FLANGE	4				0.03	0.066
030	K5112-72830	WASHER PLAIN	4				0.005	0.011
040	02054-50080	NUT	4				0.005	0.011
050	75599-33012	WASHER SPRING	4				0.002	0.0044
060	K1142-11210	KEY REAR AXLE	2				0	0
070	K1172-11510	ROD HST BYPASS	1				0	0
080	75599-31910	NUT LOCKING	1				0	0
090	K1132-11850	PLATE TORQUE STRAP	1				0	0
100	01053-50855	BOLT	1				0.022	0.0484
110	02751-50080	NUT FLANGE	1				0.006	0.0132
120	75599-33012	WASHER SPRING	1				0.002	0.0044
130	K5112-72830	WASHER PLAIN	1				0.005	0.011
140	02054-50080	NUT	1				0.005	0.011
150	K1122-91320	BOLT SHORT SQU.NECK	1				0.01	0.022
160	K1122-11130	PULLEY HST	1			WITHOUT EC	0	0
160	K1123-11130	PULLEY HST	1			EC	0.8	1.76
170	K1122-11150	NUT CONICAL	1				0.017	0.0374
180	K1143-11140	FAN	1				0.001	0.0022
190	75599-32008	WASHER PLAIN	3				0	0
200	03024-50512	SCREW WITH WASHER	3			WITHOUT EC	0.003	0.0066
200	03024-50516	SCREW WITH WASHER	3			EC	0.004	0.0088
210	K1211-11160	TUBE BREATHER	1				0	0
220	K1211-11170	CLAMP HOSE	2				0	0
230	K1211-61230	CABLE TIE	1				0	0
240	K1123-11210	PULLEY	1			EC	0.7	1.54
250	K1123-11220	COLLAR	4			EC	0	0
260	01053-50635	BOLT	4			EC	0.009	0.0198
270	75599-33010	WASHER SPRING	4			EC	0	0

HST (COMPONENT PARTS)



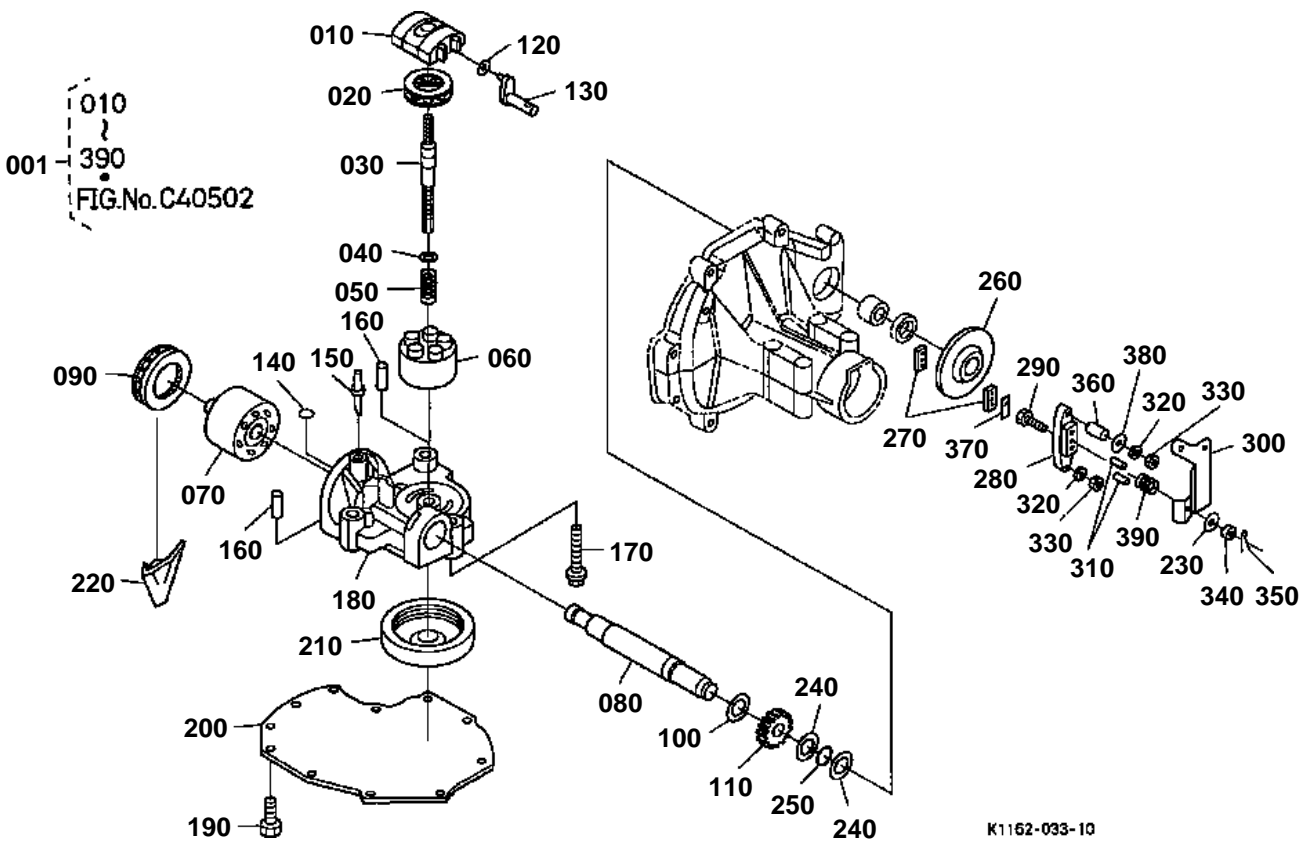


# HST (COMPONENT PARTS)

↔ Interchangeable; ≠ not interchangeable; ← new for old; → old for new

REF.No	Part No.	Description	Q'ty	S.No.	I/C	REMARKS	Weight (kgf)	Weight (lb)
001	K1132-11110	ASSY HST TRANSAXLE	1				0	0
010	K1211-80930	ASSY MAIN HOUSING	1				0	0
020	K1122-81490	SEAL-LIP	1				0.005	0.011
030	K1211-81850	FLANGE BEARING	1				0	0
040	K1122-81070	BEARING-CRADLE	2				0.012	0.0264
050	K1211-81640	TRUNNION BUSHING	1				0	0
060	K1211-81020	R.H.HOUSING ASSY	1				0	0
070	K1211-81850	FLANGE BEARING	1				0	0
080	K1211-81890	O RING	2				0	0
090	K1211-81950	RIB NECK BOLT	1				0	0
100	K1211-81400	RIB NECK BOLT	1				0	0
110	K1211-81880	NEEDLE BEARING(SCE)	1				0	0
120	K1211-81190	LIP SEAL	1				0	0
130	99999-99999	BLANK	0				0	0
140	K1211-81600	SPACER	1				0	0
150	K1122-81030	SEAL-LIP	1				0.01	0.022
160	K1122-81040	RING-WIRE RETAINING	1				0.001	0.0022
170	K1122-81050	RING-RETAINING	1				0.003	0.0066
180	K1122-81060	BEARING-SHAFT BALL	1				0.05	0.11
190	K1122-81160	SEAL-LIP	1				0.005	0.011
200	K1122-81230	ARM-BYPASS	1				0.026	0.0572
210	K1122-81240	RING-RETAINING	1				0.001	0.0022
220	K1211-81740	PIN CARRIER	4				0	0
230	K1211-81750	PLANET GEAR	4				0	0
240	K1211-81760	SPUR GEAR	1				0	0
250	K1211-81770	TOOTH SUN GEAR	1				0	0
260	K1211-81780	PLANET THRUST PLATE	1				0	0
270	K1211-81800	PLANETARY CARRIER	1				0	0
280	K1211-81810	MITER GEAR DIF.SPLND	2				0	0
290	K1211-81820	MITER GEAR DIFF.	2				0	0
300	K1211-81830	SHAFT DIFFERENTIAL	1				0	0
310	K1211-81840	DIFF.THRUST PLATE	1				0	0
320	K1211-81410	WASHER	2				0	0
330	K1211-81330	WASHER	1				0	0
340	K1211-81320	HEX JAM NUT	2				0	0
350	K1211-81790	RING GEAR	1				0	0
360	K1211-81420	BALL BEARING	2				0	0
370	K1211-81340	SEAL	2				0	0
380	K1132-81860	SHAFT AXLE	2				0	0
390	K1211-81900	SLEEVE BEARING	1				0	0
400	K1122-81460	ASSY FITTING-O RING	1				0.01	0.022
410	K1122-81450	CAP-VENT ASSEMBLY	1				0.004	0.0088
420	K1211-81050	RETAINING RING	2				0	0
430	K1211-81910	STD HDLS PIN	2				0	0
440	K1211-81030	PLUG SRT.THR	2				0	0
450	K1211-81360	OR-HEAD SCREW	9				0	0

HST (COMPONENT PARTS)





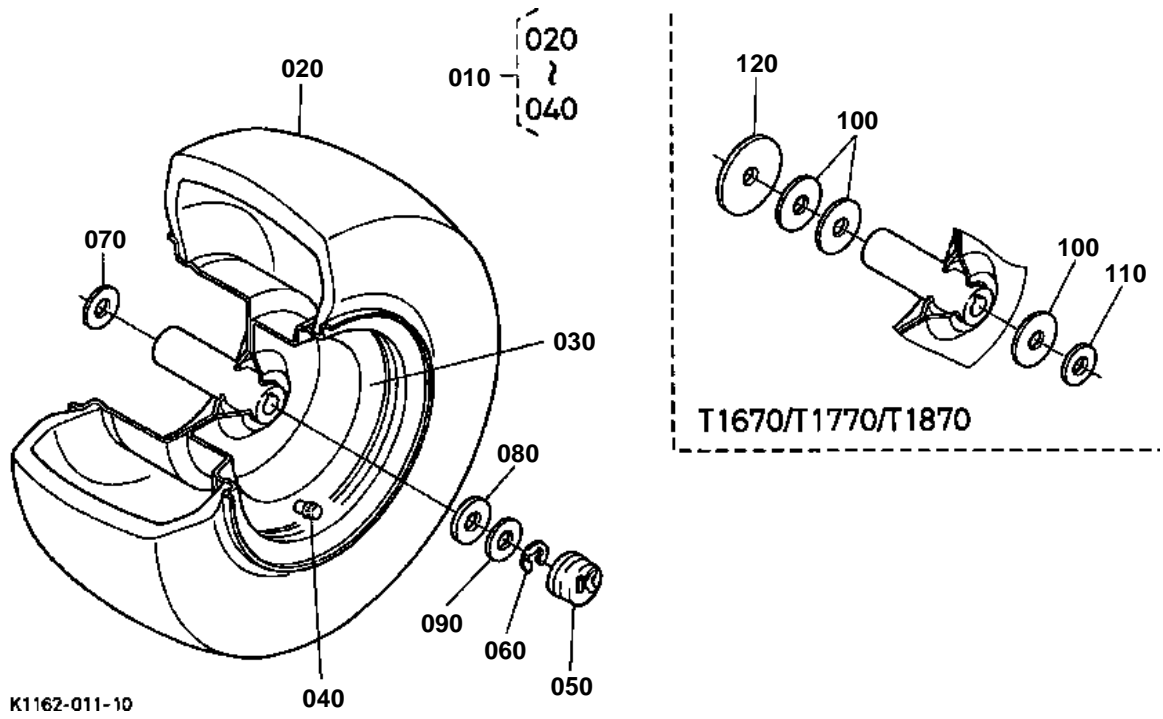


# HST (COMPONENT PARTS)

↔ Interchangeable; ≠ not interchangeable; ← new for old; → old for new

REF.No	Part No.	Description	Q'ty	S.No.	I/C	REMARKS	Weight (kgf)	Weight (lb)
001	K1132-11110	ASSY HST TRANSAXLE	1				0	0
010	K1122-81090	SWASHPLATE-VARIABLE	1				0.21	0.462
020	K1211-81080	THRUST BEARING	1				0	0
030	K1122-81350	SHAFT-INPUT	1				0.179	0.3938
040	K1122-81440	WASHER BLOCK THRUST	1				0.002	0.0044
050	K1122-81430	SPRING BLOCK	1				0.005	0.011
060	K1122-81100	ASSY BLOCK-CYLINDER	1				0.57	1.254
070	K1122-81150	BLOCK-CYLINDER/MOTOR	1				0.93	2.046
080	K1211-81130	OUTPUT(MOTOR)SHAFT	1				0	0
090	K1211-81140	THRUST BEARING	1				0	0
100	K1211-81610	SPACER	1				0	0
110	K1211-81620	PINION GEAR	1				0	0
120	K1122-81120	GUIDE-SLOT	1				0.006	0.0132
130	K1122-81110	ARM-TRUNNION	1				0.05	0.11
140	K1122-81520	PLATE BYPASS	1				0.001	0.0022
150	K1122-81170	ACTUATOR-BYPASS	1				0.03	0.066
160	K1122-81370	PIN	2				0.011	0.0242
170	K1122-81540	BOLT	3				0	0
180	K1132-81180	ASSY CENTER SECTION	1				0	0
190	K1211-81670	SCREW-SELF TAPPING	11				0	0
200	K1132-81680	LOWER COVER	1				0	0
210	K1132-81220	OIL FILTER ELEMENT	1				0	0
220	K1211-81730	RETAINER MOTR BEAING	1				0	0
230	K1122-81300	WASHER	1				0.004	0.0088
240	K1211-81210	WASHER	2				0	0
250	K1211-81200	RETAINING RING	1				0	0
260	K1211-81290	BRAKE DISK	1				0	0
270	K1211-81940	PUCK BRAKE	2				0	0
280	K1211-81960	BRAKE YOKE	1				0	0
290	K1211-81270	BOLT SQUARE HEAD	1				0	0
300	K1132-81250	ARM BRAKE	1				0	0
310	K1211-81260	PINS BRAKE	2				0	0
320	K1211-81300	LOCKWASHER	2				0	0
330	K1211-81510	NUT	2				0	0
340	K1122-81470	CASTLE NUT	1				0.008	0.0176
350	K1122-81480	COTTERPIN	1				0.001	0.0022
360	K1211-81970	SPACER	1				0	0
370	K1211-81520	PUCK PLATE	1				0	0
380	K1211-81440	WASHER	1				0	0
390	K1211-81500	COMP.SPRING BRAKE	1				0	0

REAR WHEEL



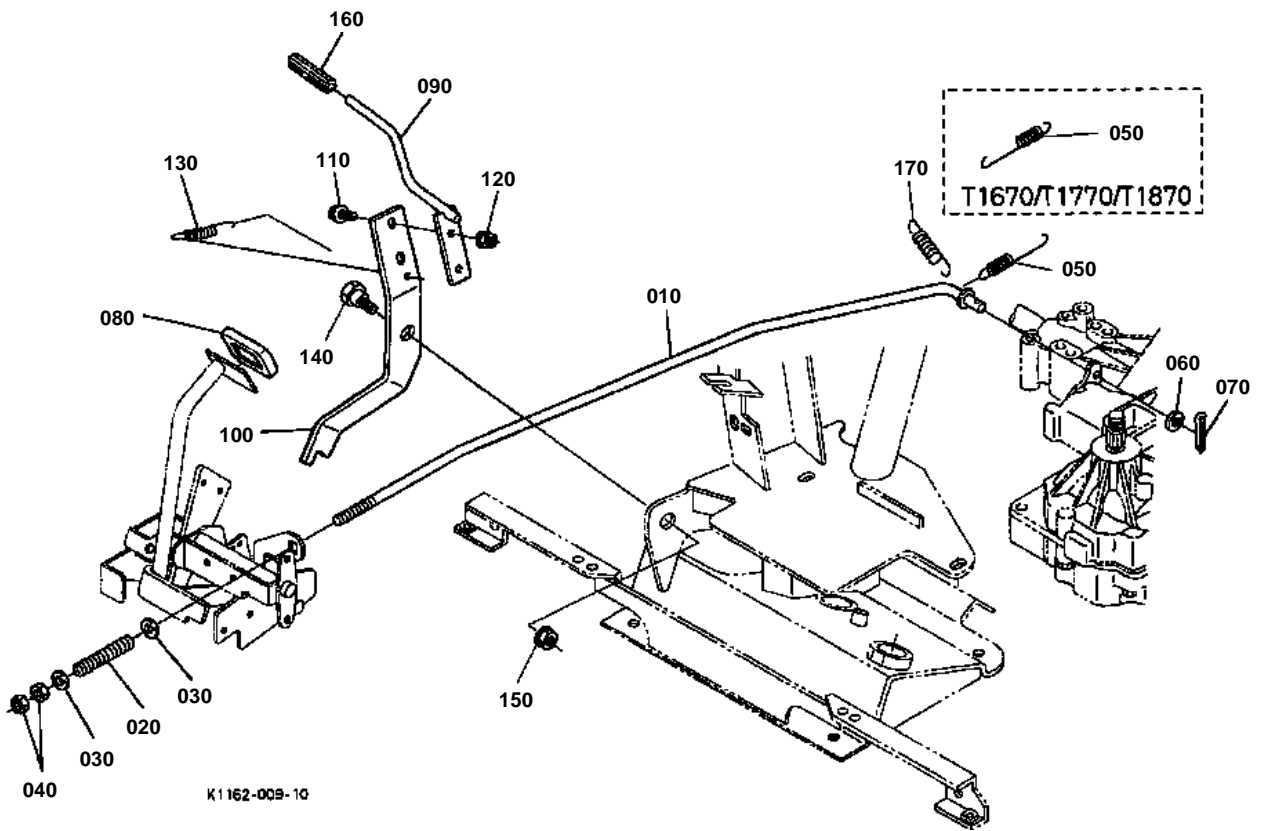


## REAR WHEEL

↔ Interchangeable; ≠ not interchangeable; ← new for old; → old for new

REF.No	Part No.	Description	Q'ty	S.No.	I/C	REMARKS	Weight (kgf)	Weight (lb)
010	K1172-11710	ASSY TIRE WHEEL REAR	2				0	0
020	K1172-11810	TIRE	2				0	0
030	K1172-11820	WHEEL	2				0	0
040	K1172-11830	VALVE STEM	2				0	0
050	K1122-15780	CAP WHEEL FRONT	2				0.02	0.044
060	K1132-11720	E-RING	2				0	0
100	K1142-11740	WASHER CAP	6				0	0
110	K1142-11240	WASHER	2			0.65mm	0	0
110	K1142-11250	WASHER PLAIN	2			1.25mm	0	0
110	K1142-11260	WASHER PLAIN	2			2.00mm	0	0
110	K1142-11270	WASHER	2			3.00mm	0	0
120	K1132-11770	WASHER WHEEL	2				0	0

BRAKE ROD

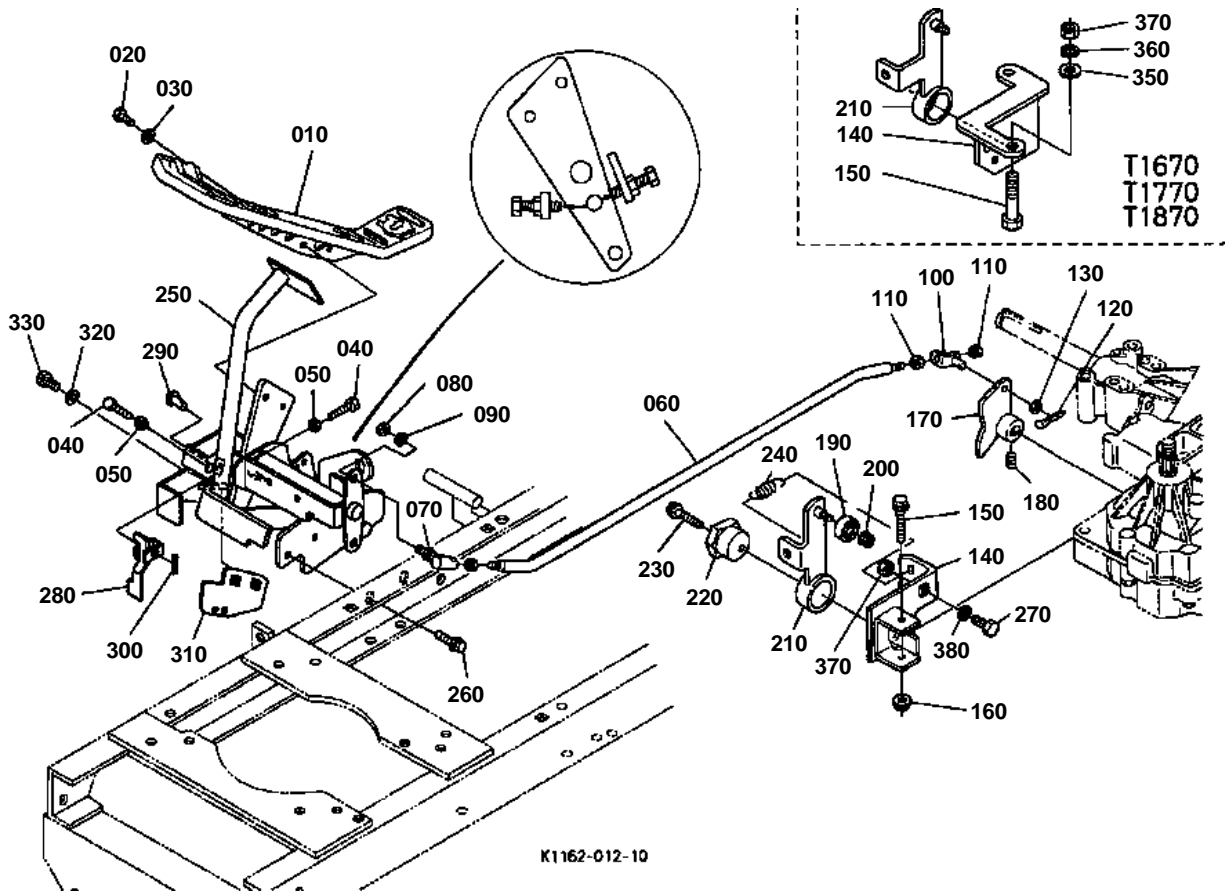


**BRAKE ROD**

↔ Interchangeable; ≠ not interchangeable; ← new for old; → old for new

REF.No	Part No.	Description	Q'ty	S.No.	I/C	REMARKS	Weight (kgf)	Weight (lb)
010	K1132-43110	ROD BRAKE	1				0	0
020	K1122-43120	SPRING BRAKE	1				0.04	0.088
030	75599-32012	WASHER PLAIN	2				0.002	0.0044
040	02054-50080	NUT	2				0.005	0.011
050	K1122-43140	SPRING RETURN BRAKE	1				0.045	0.099
060	75599-32012	WASHER PLAIN	1				0.002	0.0044
070	75599-53152	PIN COTTER	1				0	0
080	K1122-43150	COVER BRAKE PEDAL	1				0.022	0.0484
090	K1122-43210	PEDAL PARKING LOCK	1				0.13	0.286
100	K1122-43220	LOCK BRAKE	1				0.32	0.704
110	01754-50820	BOLT FLANGE	2				0.015	0.033
120	02751-50080	NUT FLANGE	2				0.006	0.0132
130	K1122-43230	SPRING PARKING LOCK	1				0.02	0.044
140	K1122-43280	BOLT SHOULDER	1				0	0
150	K1122-91960	NUT FLANGE	1				0.012	0.0264
160	K1122-43250	COVER PARKING BRAKE	1				0.007	0.0154

SPEED CHANGE PEDAL

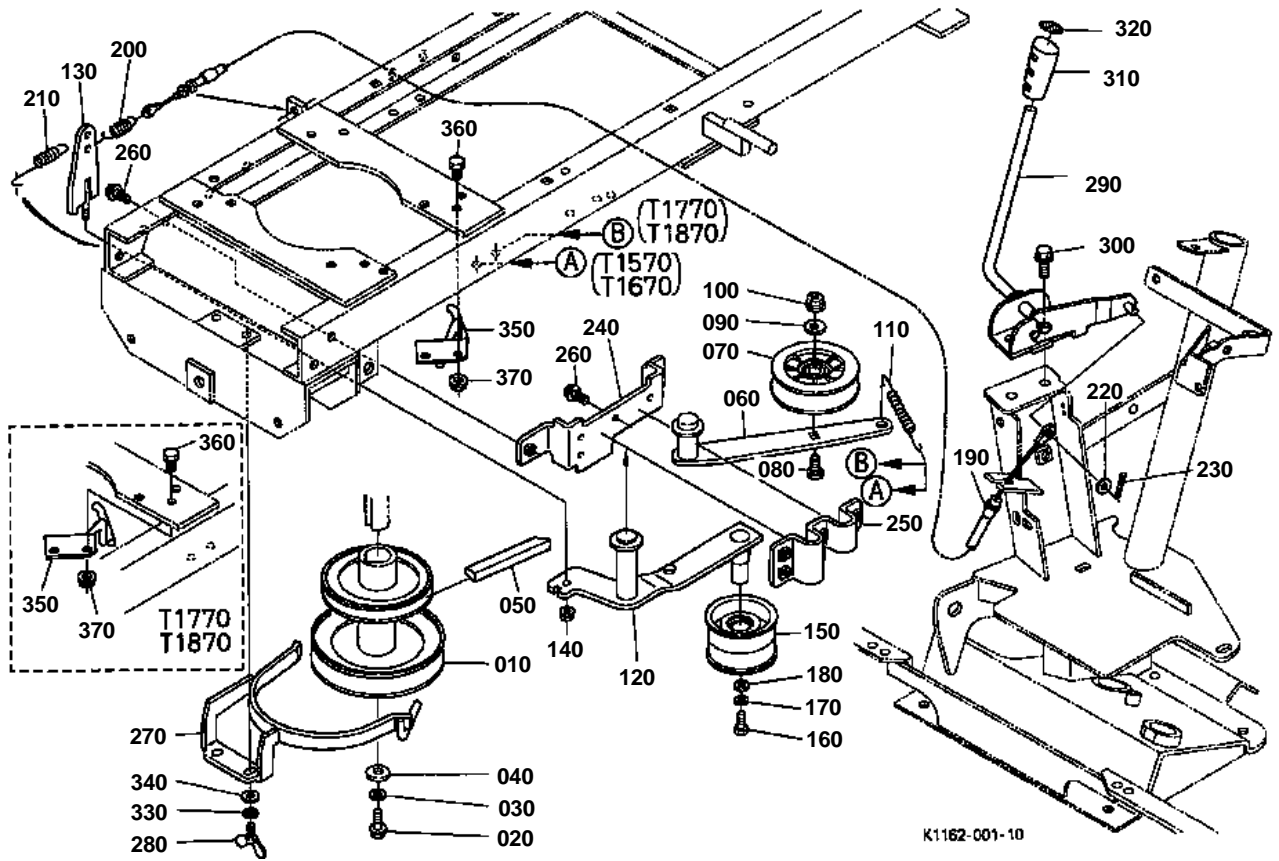


**SPEED CHANGE PEDAL**

↔ Interchangeable; ≠ not interchangeable; ← new for old; → old for new

REF.No	Part No.	Description	Q'ty	S.No.	I/C	REMARKS	Weight (kgf)	Weight (lb)
010	K1122-42010	PEDAL SPEED CHANGE	1				0.54	1.188
020	01053-50818	BOLT	2				0.011	0.0242
030	75599-33012	WASHER SPRING	2				0.002	0.0044
040	01155-50840	BOLT	2				0.02	0.044
050	02054-50080	NUT	2				0.005	0.011
060	K1132-42020	ROD SPEED CHANGE	1				0	0
070	K1122-42080	ROD END	1				0.03	0.066
080	75599-31022	NUT	2				0	0
090	75599-33012	WASHER SPRING	1				0.002	0.0044
100	K1122-42120	BRACKET L	1				0.06	0.132
110	02018-50100	NUT	2				0.011	0.0242
120	75599-53152	PIN COTTER	1				0	0
130	75599-32012	WASHER PLAIN	1				0.002	0.0044
140	K1211-42110	HOLDER N.ARM	1				0	0
150	01053-50860	BOLT	1				0.024	0.0528
160	02054-50080	NUT	1				0.005	0.011
170	K1132-42030	ARM SPEED CHANGE	1				0	0
180	K1122-91980	SCREW SET	1				0.004	0.0088
190	08141-06000	BEARING BALL	1				0.017	0.0374
200	02751-50080	NUT FLANGE	1				0.006	0.0132
210	K1211-42040	ARM NEUTRAL	1				0	0
220	K1122-42070	SHAFT HOLDER	1				0.14	0.308
230	01754-50840	BOLT FLANGE	1				0.02	0.044
240	K1122-42090	SPRING NEUTRAL	1				0.025	0.055
250	K1162-43010	PEDAL SYSTEM COMP	1				0	0
260	01754-50820	BOLT FLANGE	3				0.015	0.033
270	75599-02215	HEX.BOLT	1				0	0
280	K2110-43510	LEVER SW-R	1			WITHOUT EC	0	0
290	75599-51227	PIN CLEVIS	1			WITHOUT EC	0	0
300	75599-53170	PIN COTTER	1			WITHOUT EC	0	0
310	K2110-43520	PLATE SW-R	1			WITHOUT EC	0	0
320	75599-32110	WASHER PLAIN	2			WITHOUT EC	0	0
330	01754-50620	BOLT FLANGE	2			WITHOUT EC	0.007	0.0154
340	99999-99999	BLANK	0				0	0
350	K5112-72830	WASHER PLAIN	1				0.005	0.011
360	75599-33012	WASHER SPRING	1				0.002	0.0044
380	75599-33012	WASHER SPRING	1				0.002	0.0044

PTO CLUTCH CONTROL LEVER/WIRE





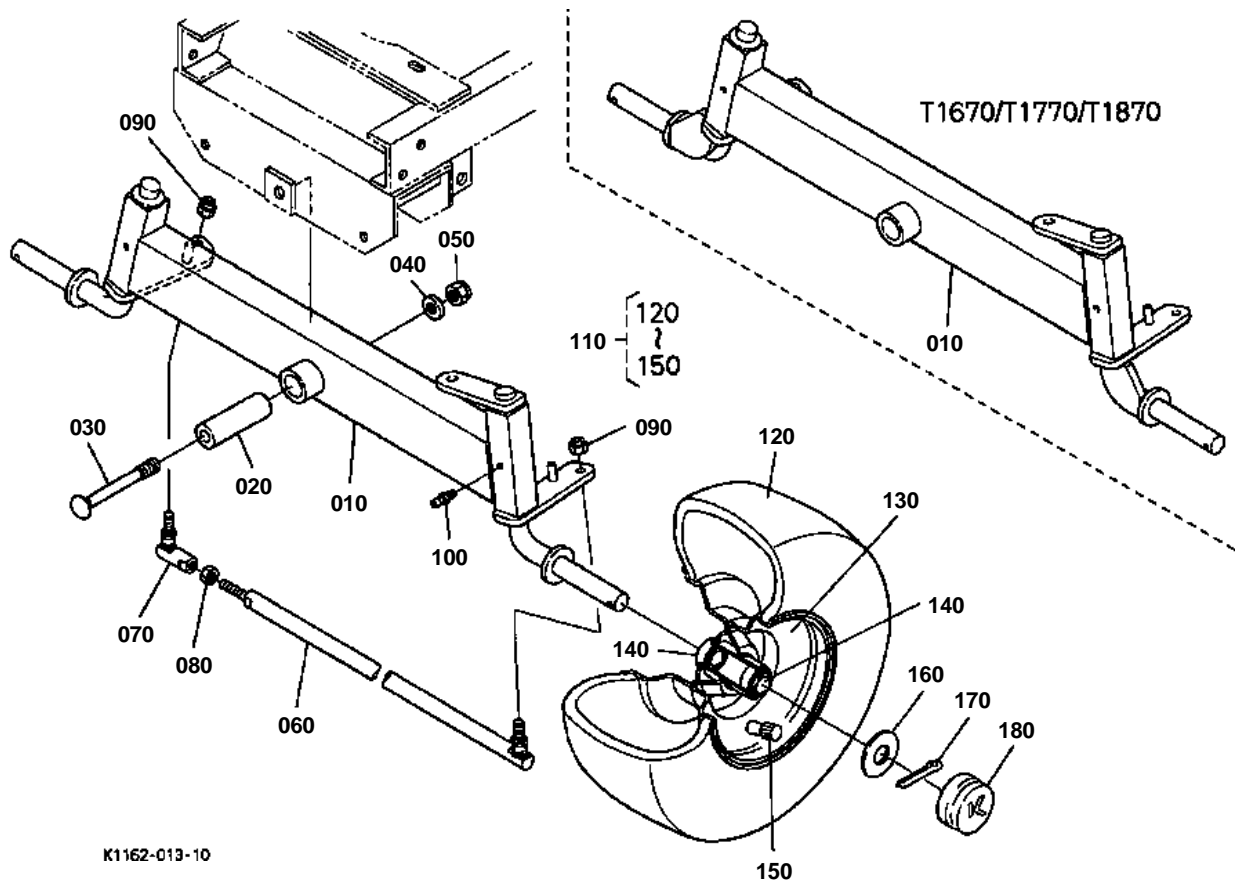


**PTO CLUTCH CONTROL LEVER/WIRE**

↔ Interchangeable; ≠ not interchangeable; ← new for old; → old for new

REF.No	Part No.	Description	Q'ty	S.No.	I/C	REMARKS	Weight (kgf)	Weight (lb)
010	K1122-26110	PULLEY ENGINE	1				1.27	2.794
020	0Y107-50740	BOLT	1				0	0
030	75599-33014	WASHER SPRING LOCK	1				0	0
040	75599-32014	WASHER PLAIN	1				0	0
050	K1132-26130	BELT HST	1				0	0
060	K1122-26220	ARM TENSION	1				0.32	0.704
070	K1122-26210	PULLEY TENSION HST	1				0.15	0.33
080	0Y169-50828	BOLT SHORT SQU.NECK	1				0	0
090	75599-32015	WASHER PLAIN	1				0.01	0.022
100	0Y274-50080	NUT FLANGE	1				0	0
110	K1122-26250	SPRING TENSION HST	1				0.025	0.055
120	K1122-26320	ARM TENSION	1				0.69	1.518
130	K1122-26330	ARM TENSION	1				0.11	0.242
140	02751-50080	NUT FLANGE	1				0.006	0.0132
150	K1122-26310	PULLY TENSION PTO	1				0.37	0.814
160	01053-50818	BOLT	1				0.011	0.0242
170	75599-33012	WASHER SPRING	1				0.002	0.0044
180	K5112-72830	WASHER PLAIN	1				0.005	0.011
190	K1122-46120	WIRE PTO	1				0.13	0.286
200	K1122-26370	SPRING PTO	1				0.045	0.099
210	K1122-26380	SPRING RETURN	1				0.01	0.022
220	75599-32012	WASHER PLAIN	1				0.002	0.0044
230	75599-53170	PIN COTTER	1				0	0
240	K1122-95630	BRACKET TENSION	1				0.4	0.88
250	K1122-26350	HOLDER TENSION	1				0.17	0.374
260	01754-50820	BOLT FLANGE	6				0.015	0.033
270	K1122-26410	RETAINER BELT	1				0.28	0.616
280	01811-50815	BOLT WING	2				0.025	0.055
290	K1162-46130	LEVER PTO COMP	1				0	0
300	01754-50820	BOLT FLANGE	2				0.015	0.033
310	K1122-46110	GRIP PTO	1				0.04	0.088
320	K1122-65230	MARK GRIP PTO	1				0.001	0.0022
330	75599-33012	WASHER SPRING	2				0.002	0.0044
340	75599-32012	WASHER PLAIN	2				0.002	0.0044
350	K1162-26420	RETAINER HST BELT	1				0	0
360	01053-50820	BOLT	1				0.012	0.0264
370	02751-50080	NUT FLANGE	1				0.006	0.0132

FRONT WHEEL



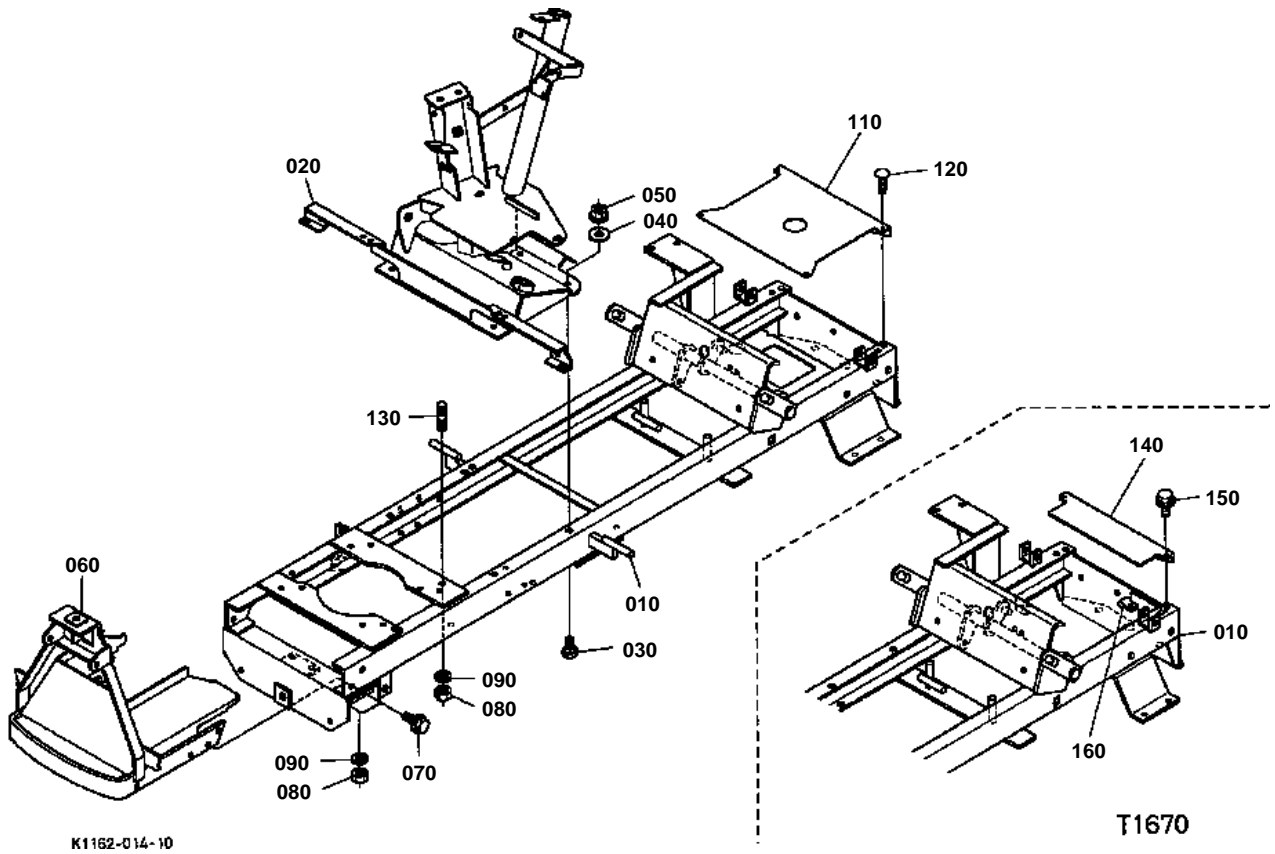


## FRONT WHEEL

↔ Interchangeable; ≠ not interchangeable; ← new for old; → old for new

REF.No	Part No.	Description	Q'ty	S.No.	I/C	REMARKS	Weight (kgf)	Weight (lb)
010	K1142-15110	COMP FRONT AXLE	1				0	0
020	K1122-15120	COLLAR CENTER PIN	1				0.23	0.506
030	K1122-15130	BOLT CENTER PIN	1				0.1	0.22
040	75599-32015	WASHER PLAIN	1				0.01	0.022
050	K1122-91920	NUT LOCKING	1				0.016	0.0352
060	K1122-15210	TIE ROD	1				0.77	1.694
070	K1122-15220	ROD END	1				0.07	0.154
080	75599-31023	NUT	1				0.006	0.0132
090	75599-31923	NUT LOCKING	2				0.007	0.0154
100	K1122-15150	NIPPLE GREASE	2				0.002	0.0044
110	K1162-15710	ASSY TIRE FRONT	2				0	0
120	K1162-15720	TIRE	2				0	0
130	K1162-15730	WHEEL	2				0	0
140	K1162-15770	BEARING	4				0	0
150	K1162-15760	VALVE STEM	2				0	0
160	K1142-15740	WASHER FLAT	2				0	0
170	05511-50530	PIN SPLIT	2				0.006	0.0132
180	K1142-15780	CAP WHEEL FRONT	2				0	0

MAIN FRAME/STEERING SUPPORT



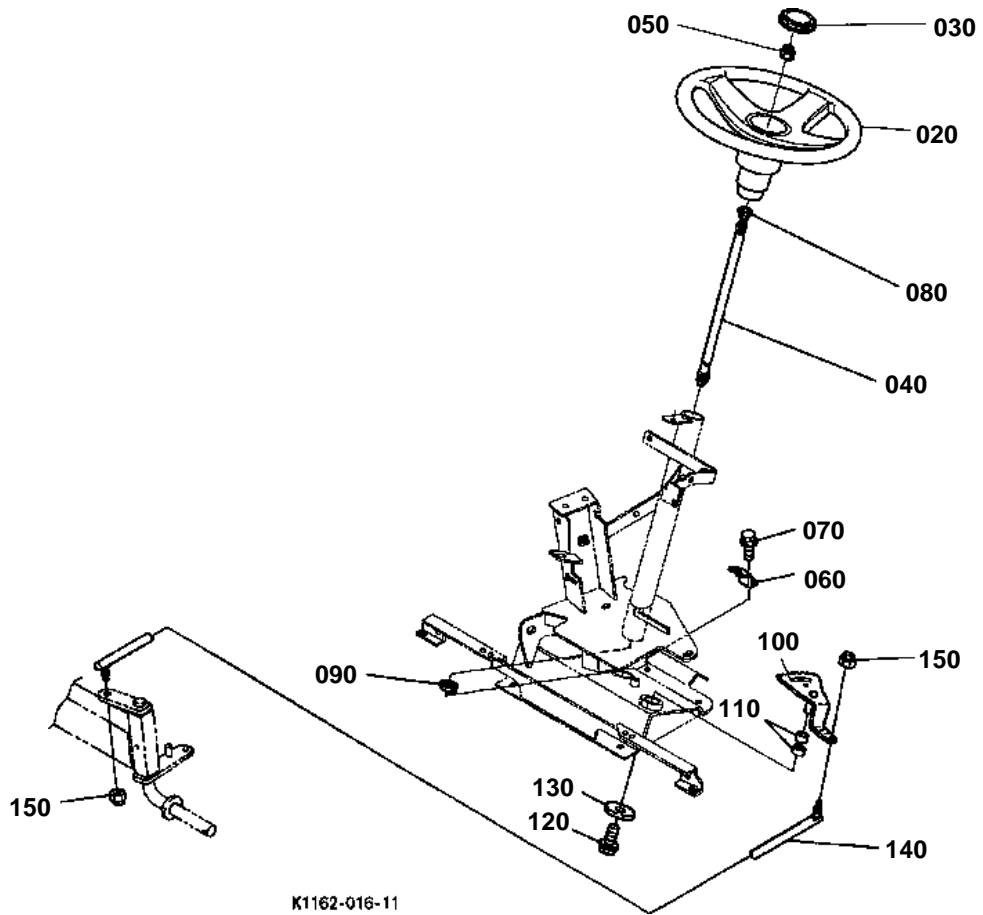


# MAIN FRAME/STEERING SUPPORT

↔ Interchangeable; ≠ not interchangeable; ← new for old; → old for new

REF.No	Part No.	Description	Q'ty	S.No.	I/C	REMARKS	Weight (kgf)	Weight (lb)
010	K1172-21010	FRAME COMP	1	≤10007			0	0
010	K1172-21013	FRAME COMP	1	≥10008	←		0	0
010	K1172-21014	FRAME COMP	1	≥11604	≠		0	0
020	K1162-21110	SUPPORT STEERING	1	≤10007			0	0
020	K1162-21112	SUPPORT STEERING	1	≥10008	←		0	0
030	K1122-91420	BOLT SHORT SQU.NECK	4				0.02	0.044
040	K1122-21160	WASHER PLAIN	4				0.006	0.0132
050	K1122-91960	NUT FLANGE	4				0.012	0.0264
060	K1162-21510	BUMPER	1				0	0
070	01754-50820	BOLT FLANGE	4				0.015	0.033
080	02054-50080	NUT	4				0.005	0.011
090	75599-33012	WASHER SPRING	4				0.002	0.0044
100	99999-99999	BLANK	0				0	0
130	01513-60825	STUD	4				0.012	0.0264
140	K1172-55510	COVER REAR	1				0	0
150	01754-50616	BOLT FLANGE	2				0.006	0.0132
160	K1122-91800	NUT(M)	2				0.004	0.0088

POWER STEERING/STEERING HANDLE



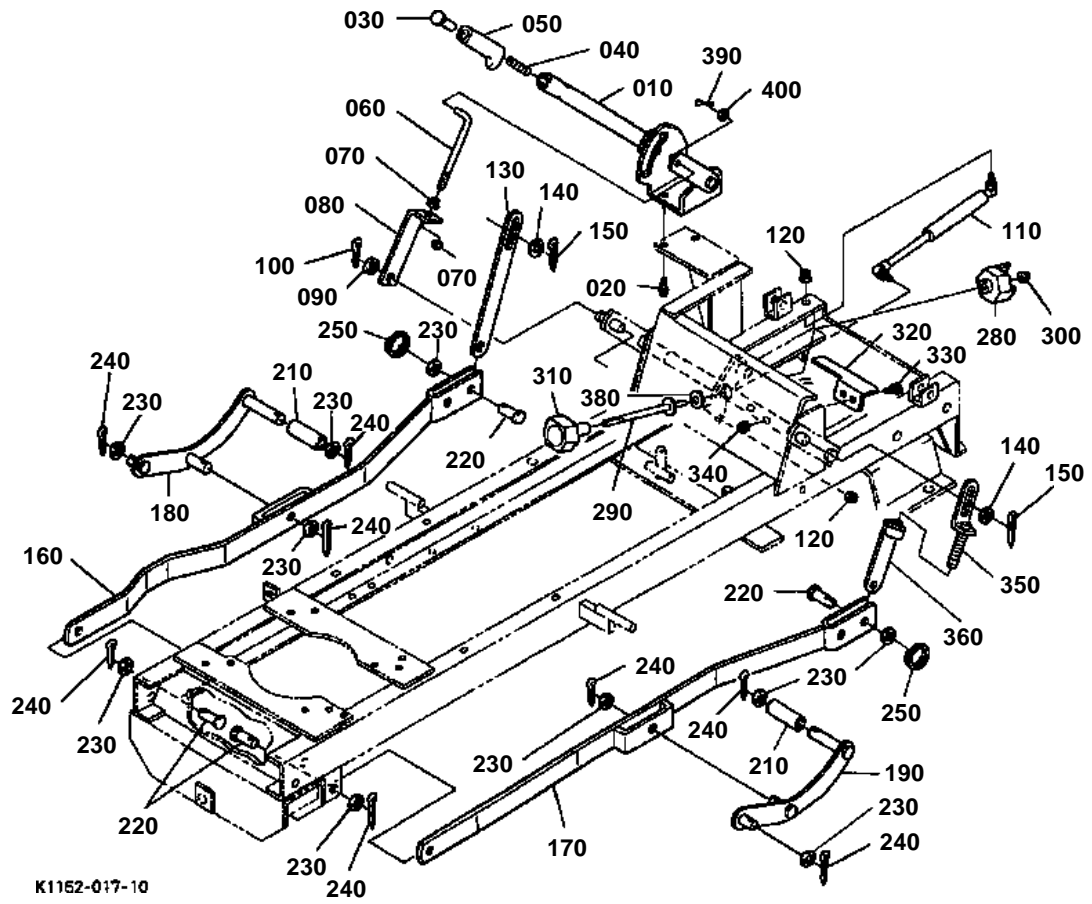


## POWER STEERING/STEERING HANDLE

↔ Interchangeable; ≠ not interchangeable; ← new for old; → old for new

REF.No	Part No.	Description	Q'ty	S.No.	I/C	REMARKS	Weight (kgf)	Weight (lb)
010	99999-99999	BLANK	0				0	0
020	K1162-41120	WHEEL STEERING	1				0	0
030	K1162-41130	CAP STEERING	1				0	0
040	K1122-41210	SHAFT STEERING	1				1.18	2.596
050	K1122-91940	NUT LOCKING	1				0.03	0.066
060	K1122-41220	RETAINER SHAFT	1				0.07	0.154
070	01754-50820	BOLT FLANGE	1				0.015	0.033
080	K1122-41230	BEARING STEERING	1				0.01	0.022
090	08141-06201	BEARING BALL	1				0.04	0.088
100	K1122-41250	GEAR SECTOR	1				1.88	4.136
110	K1122-41280	BUSH SECTOR	2				0.02	0.044
120	01754-51020	BOLT FLANGE	1				0.02	0.044
130	K1122-41260	WASHER PLAIN	1				0.02	0.044
140	K1122-41510	LINK DRAG LINK	1				0.95	2.09
150	75599-31924	NUT LOCKING	2				0.01	0.022

# LIFT LINK



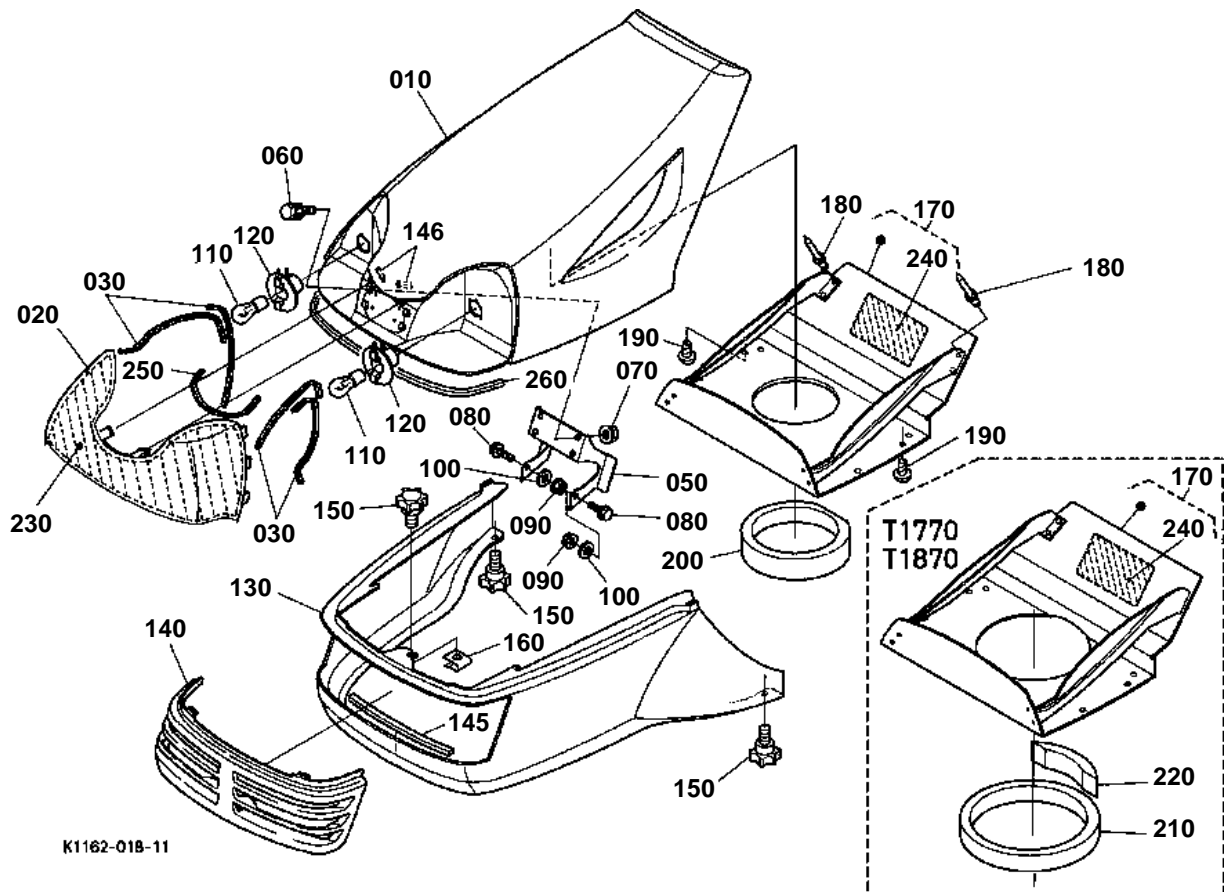


**LIFT LINK**

↔ Interchangeable; ≠ not interchangeable; ← new for old; → old for new

REF.No	Part No.	Description	Q'ty	S.No.	I/C	REMARKS	Weight (kgf)	Weight (lb)
010	K1162-44110	COMP.LEVER LIFT	1				0	0
020	01754-50820	BOLT FLANGE	2				0.015	0.033
030	K1211-44130	BUTTON	1				0.01	0.022
040	K1122-44140	SPRING BUTTON	1				0.007	0.0154
050	K1122-44150	GRIP	1				0.11	0.242
060	K1122-44170	LINK LIFT	1				0.09	0.198
070	K1122-91960	NUT FLANGE	2				0.012	0.0264
080	K1122-44180	LINK LIFT	1				0.37	0.814
090	75599-32015	WASHER PLAIN	1				0.01	0.022
100	05511-50430	PIN SPLIT	1				0.004	0.0088
110	K1122-44160	GAS SPRING	1				0.23	0.506
120	02751-50080	NUT FLANGE	2				0.006	0.0132
130	K1142-44220	LINK	1				0	0
140	75599-32015	WASHER PLAIN	2				0.01	0.022
150	05511-50430	PIN SPLIT	2				0.004	0.0088
160	K1122-44310	LINK RH	1				1.95	4.29
170	K1122-44320	LINK LH	1				1.92	4.224
180	K1122-44332	LINK RH	1				0.62	1.364
190	K1122-44342	LINK LH	1				0.63	1.386
200	99999-99999	BLANK	0				0	0
210	K1122-44360	COLLAR LINK	2				0.07	0.154
220	75599-51525	PIN CLEVIS	4				0.2	0.44
230	75599-32015	WASHER PLAIN	10				0.01	0.022
240	05511-50430	PIN SPLIT	8				0.004	0.0088
250	K5142-72730	RING SNAP	2				0	0
260	99999-99999	BLANK	0				0	0
270	99999-99999	BLANK	0				0	0
280	K1122-44410	CAM	1				0.3	0.66
290	K1132-44420	ROD CAM	1				0	0
300	02751-50080	NUT FLANGE	1				0.006	0.0132
310	K1132-44430	DIAL CAM	1				0.04	0.088
320	K1122-44440	SPRING RETAINER	1				0.04	0.088
330	K1122-91320	BOLT SHORT SQU.NECK	2				0.01	0.022
340	02751-50080	NUT FLANGE	2				0.006	0.0132
350	K1142-44270	LINK LIFT UPPER	1				0	0
360	K1142-44280	LINK LIFT LOWER	1				0	0
370	99999-99999	BLANK	0				0	0
380	K1132-44450	WASHER ROD	1				0	0
390	05511-50430	PIN SPLIT	1				0.004	0.0088
400	75599-32013	WASHER PLAIN	1				0.03	0.066

# HOOD (BONNET)



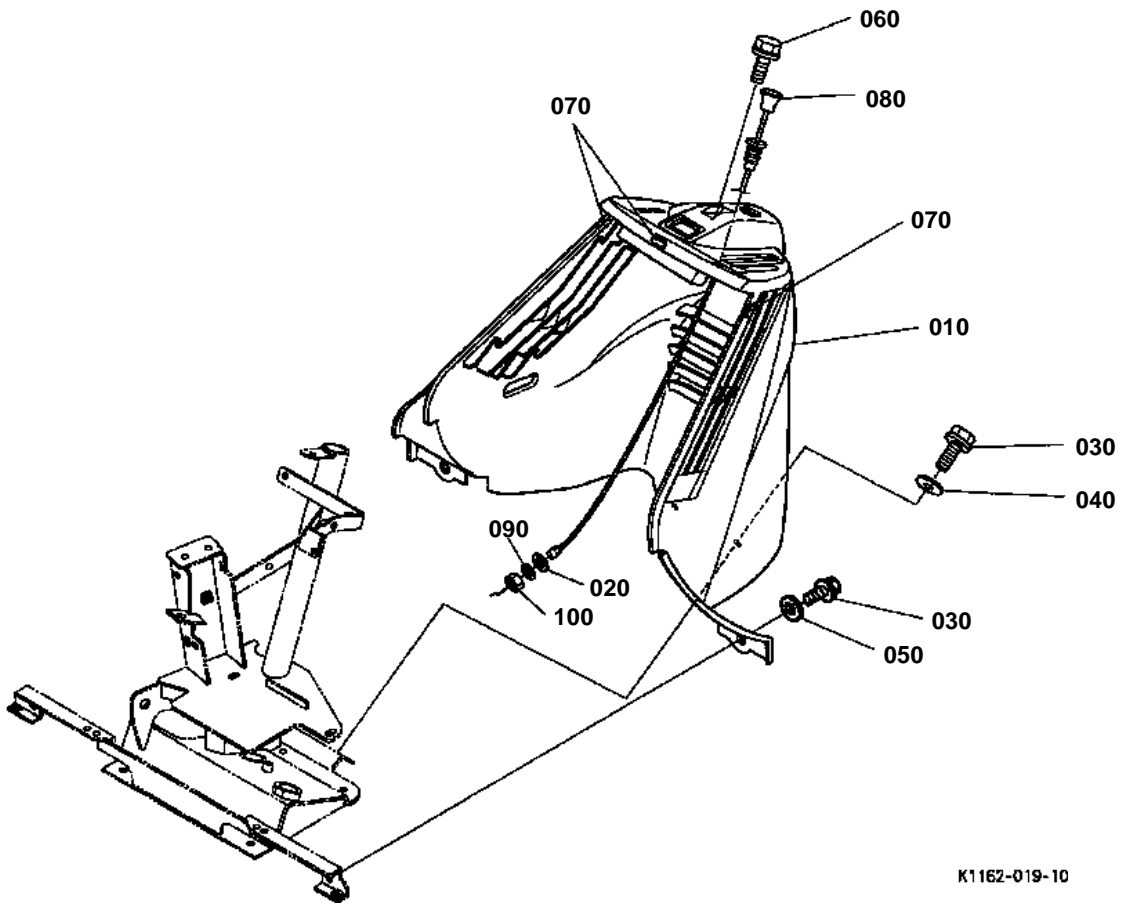


# HOOD (BONNET)

↔ Interchangeable; ≠ not interchangeable; ← new for old; → old for new

REF.No	Part No.	Description	Q'ty	S.No.	I/C	REMARKS	Weight (kgf)	Weight (lb)
010	K1162-54112	BONNET UPPER	1				0	0
020	K1162-54122	LENS	1				0	0
030	K1162-54252	SEAL LENS	4				0	0
040	99999-99999	BLANK	0				0	0
050	K1162-54310	BRACKET BONNET	1				0	0
060	01053-50820	BOLT	4				0.012	0.0264
070	02751-50080	NUT FLANGE	4				0.006	0.0132
080	01754-50820	BOLT FLANGE	2				0.015	0.033
090	K5112-72840	NUT LOCK	2				0.005	0.011
100	K5112-72830	WASHER PLAIN	2				0.005	0.011
110	K1122-54210	BULB	2				0.008	0.0176
120	K1122-54220	SOCKET	2				0.006	0.0132
130	K1162-54130	BONNET UNDER	1				0	0
140	K1162-54142	GRIL LH	1				0	0
145	K1162-54160	SPACER BONNET	1				0	0
146	K1162-54170	SPACER BONNET	2			>=2002.07	0	0
150	K1122-91000	BOLT KNOB	3				0.012	0.0264
160	K1122-91800	NUT(M)	1				0.004	0.0088
170	K1162-95320	KIT INTAKE COVER	1			WITHOUT EC	0	0
170	K1173-95320	KIT INTAKE COVER	1			EC	0	0
180	K1162-91930	RIVET	8				0	0
190	K1162-25340	SCREW TAPPING	6				0	0
200	K1162-25320	SPONGE	1				0	0
230	K1162-65410	REFLECTOR HEAD LAMP	1				0	0
240	99999-99999	BLANK	0				0	0
250	K1162-54270	SEAL LENS	1				0	0
260	K1162-54280	SEAL LENS	1			<=10007	0	0
260	K1162-54280	SEAL LENS	3			>=10008	0	0

PANEL COVER



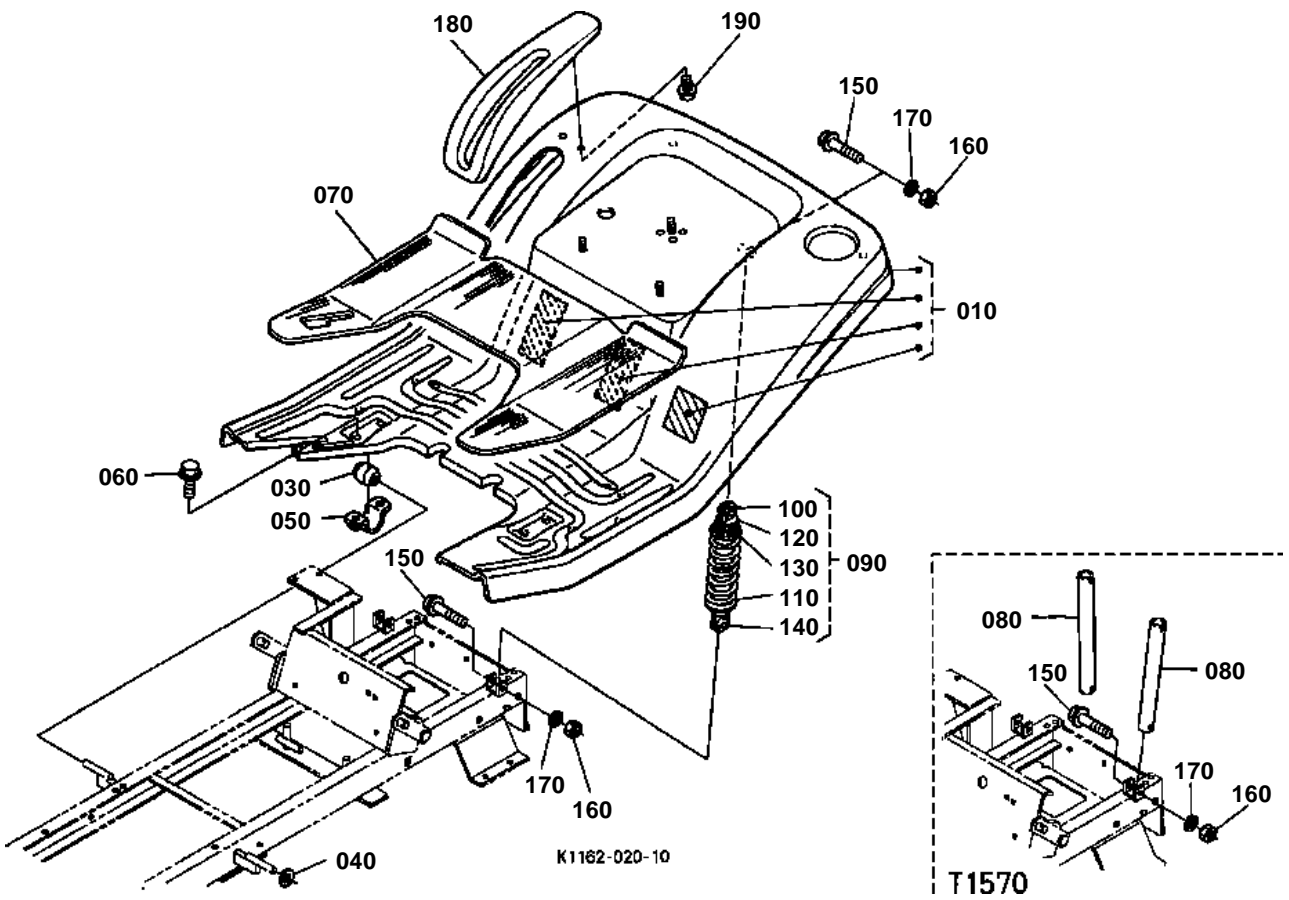
K1162-019-10



PANEL COVER

↔ Interchangeable; ≠ not interchangeable; ← new for old; → old for new

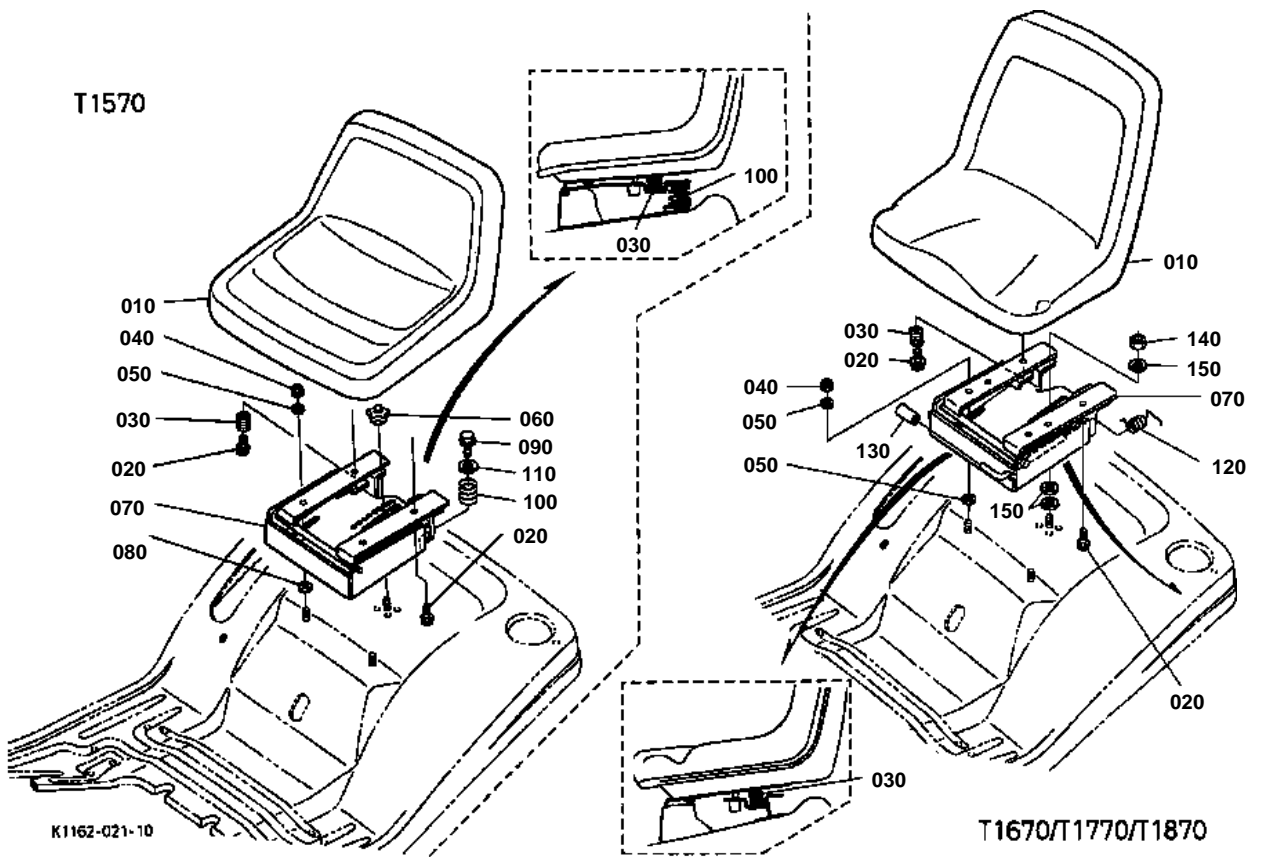
REF.No	Part No.	Description	Q'ty	S.No.	I/C	REMARKS	Weight (kgf)	Weight (lb)
010	K1162-57110	PANEL	1				0	0
020	75599-32013	WASHER PLAIN	1				0.03	0.066
030	01754-50820	BOLT FLANGE	4				0.015	0.033
040	K1122-57170	WASHER PANEL	2				0.001	0.0022
050	K5112-72830	WASHER PLAIN	2				0.005	0.011
060	K1122-91050	BOLT FLANGE BLACK	1				0.013	0.0286
070	K1122-57160	PLATE RUBBER	3				0.001	0.0022
080	K1162-55562	WIRE ASSY CHOKE	1				0	0
090	04512-60100	WASHER SPRING	1				0.002	0.0044
100	02018-50100	NUT	1				0.011	0.0242



**FENDER**

↔ Interchangeable; ≠ not interchangeable; ← new for old; → old for new

REF.No	Part No.	Description	Q'ty	S.No.	I/C	REMARKS	Weight (kgf)	Weight (lb)
010	K1132-95020	KIT FENDER	1			WITHOUT EC	0	0
010	K1173-95020	KIT FENDER	1			EC	0	0
020	99999-99999	BLANK	0				0	0
030	K1162-55120	BUSHING	2				0	0
040	75599-32015	WASHER PLAIN	1				0.01	0.022
050	K1211-55130	SUPPORT STEP	2				0.06	0.132
060	01754-50820	BOLT FLANGE	4				0.015	0.033
070	K1122-55210	SHEET STEP	1				0.92	2.024
090	K1122-55400	ASSY SUSPENSION	2				1.06	2.332
100	K1122-55410	SUSPENSION	2				0.62	1.364
110	K1122-55420	SPRING SUSPENSION	2				0.39	0.858
120	K1122-55430	RETAINER UPPER	2				0.014	0.0308
130	K1122-55450	COVER SUSPENSION	2				0.019	0.0418
140	K1122-55440	RETAINER LOWER	2				0.035	0.077
150	01053-51045	BOLT	4				0.04	0.088
160	02014-50100	NUT	4				0.011	0.0242
170	04512-60100	WASHER SPRING	4				0.002	0.0044
180	K1122-55220	COVER LEVER	1				0.14	0.308
190	K1122-55280	SCREW TAPPING	3				0.002	0.0044



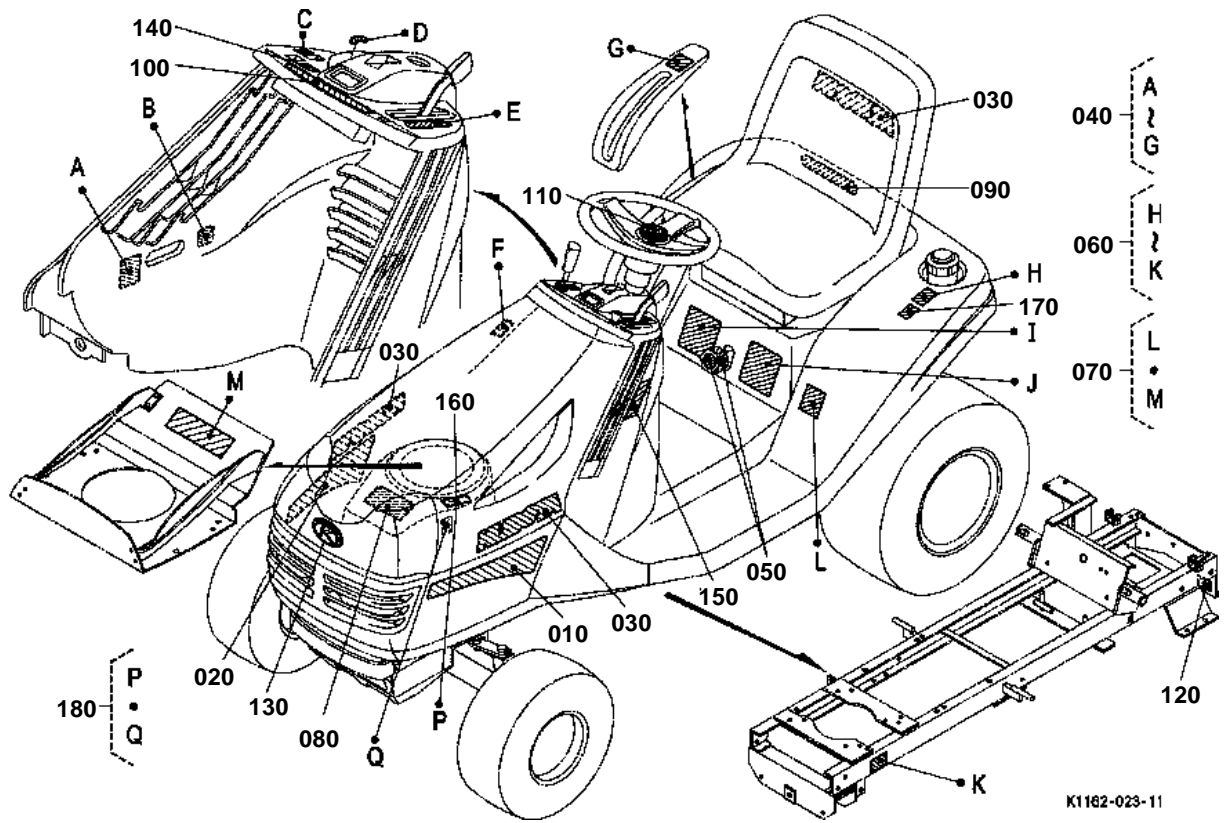


**SEAT**

↔ Interchangeable; ≠ not interchangeable; ← new for old; → old for new

REF.No	Part No.	Description	Q'ty	S.No.	I/C	REMARKS	Weight (kgf)	Weight (lb)
010	K1122-56110	SEAT	1				6.7	14.74
020	0Y171-50508	BOLT FLANGE	4				0	0
030	K1122-56140	SPRING SEAT SW.	1				0.02	0.044
040	K5112-72840	NUT LOCK	2				0.005	0.011
050	75599-32112	WASHER PLAIN	4				0	0
070	K1211-56120	SUPPORT SEAT	1				0	0
120	K1211-56150	SPRING LOCK	1				0	0
130	K1211-56140	COVER LEVER	1				0	0
140	75599-31923	NUT LOCKING	1				0.007	0.0154
150	75599-32113	WASHER PLAIN	3				0	0

LABEL

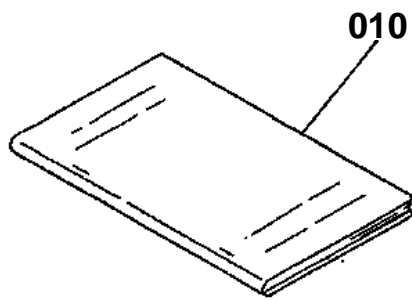




LABEL

↔ Interchangeable; ≠ not interchangeable; ← new for old; → old for new

REF.No	Part No.	Description	Q'ty	S.No.	I/C	REMARKS	Weight (kgf)	Weight (lb)
010	K1172-65130	LABEL BONNET LH	1				0	0
020	K1172-65120	LABEL BONNET RH	1				0	0
030	K1162-65250	LABEL KUBOTA	3				0	0
040	K1162-65160	LABEL SET CONTROL	1				0	0
050	K1132-65260	LABEL DIAL	1				0	0
060	K1122-65170	LABEL SET CAUTION	1			WITHOUT EC	0	0
070	K1162-65190	LABEL SET CAUTION	1			WITHOUT EC	0	0
070	K1173-65170	LABEL SET CAUTION	1			EC	0	0
080	K1162-65180	LABEL ENGINE	1	<=11603		WITHOUT EC	0	0
080	K1162-65183	LABEL ENGINE	1	>=11604	←	WITHOUT EC	0	0
080	K1173-65180	LABEL ENGINE	1			EC	0	0
090	K1132-65290	LABEL CUSHION	1				0	0
100	K1122-65210	LABEL INDICATOR	1				0.007	0.0154
110	K1122-65220	MARK STEERING	1				0.01	0.022
120	K1122-65310	LABEL HST BYPASS	1			WITHOUT EC	0	0
120	K1123-65310	LABEL HST BYPASS	1			EC	0	0
130	T1060-49500	MARK SYMBOL	1				0.01	0.022
140	K2110-65462	LABEL NMR	1			WITHOUT EC	0	0
150	K2110-65192	LABEL KRS	1			WITHOUT EC	0	0
160	K1173-65190	LABEL ENGINE CAUTION	1				0	0
170	K1104-65420	LABEL NOISE MARK	1			AU	0	0



1G605-002-10



## ACCESSORIES AND SERVICE PARTS

↔ Interchangeable; ≠ not interchangeable; ← new for old; → old for new

REF.No	Part No.	Description	Q'ty	S.No.	I/C	REMARKS	Weight (kgf)	Weight (lb)
010	K1162-71210	MANUAL INSTRUCTION	1	<=11603		A CA	0	0
010	K1162-71212	MANUAL INSTRUCTION	1	>=11604	←	A CA	0	0
010	K1173-71210	MANUAL INSTRUCTION	1			EC	0	0
010	K1174-71210	MANUAL INSTRUCTION	1			AU <=2002.06	0	0
010	K1162-71212	MANUAL INSTRUCTION	1		≠	AU >=2002.07	0	0