

Instructions for Parts Books

The heading at the top of the page will be the same for the picture of the parts as it is for the page with the part numbers.

Definition of column headings on part number pages:

REF.No → The number referring to the part on the picture page of the parts book.

Part No. → The number assigned to this part at the time of printing the parts book.

Description → Description of part.

Q'ty → Quantity of part used on that page.

S.No. → Serial number range of the equipment that this part will fit.

>= Your serial number should be greater than or equal to the number shown.

<= Your serial number should be lesser than or equal to the serial number shown.

I/C → Interchangeability of part shown.

↔ The part shown will work for the older and later serial number.

The part shown is not interchangeable with the other serial number.

← new for old

→ old for new

Remarks → Notes about this particular part. Sometimes this may say except [FR] or [CA]

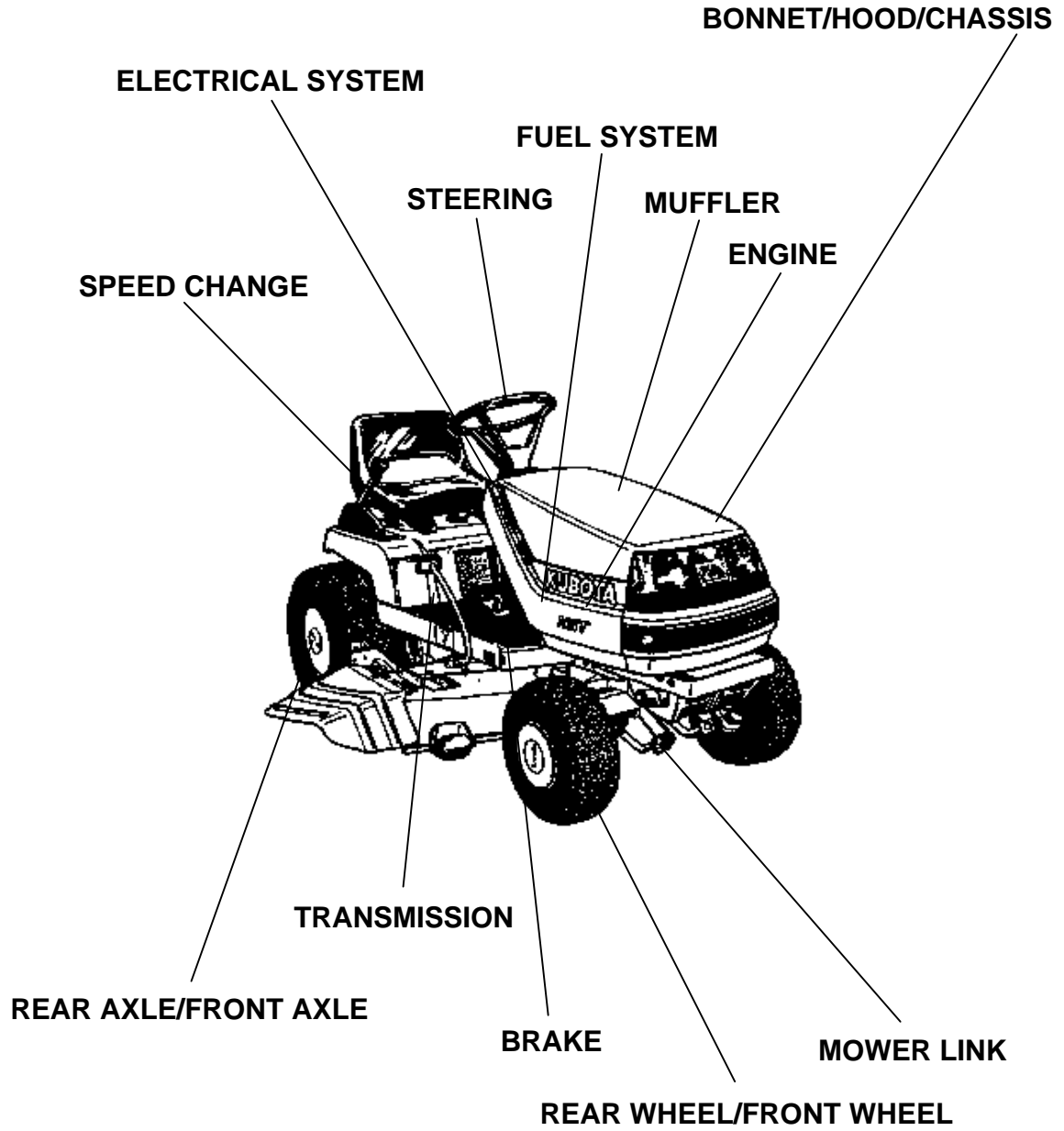
Note about Country Codes:

The parts books we use in the United States of America may also contain information about a part that would be different in another country. It is important that you are aware of the country codes in some instances.

Symbol	Country
A	United States of America
CA	Canada
FR	France
GR	Greece
PO	Portugal
AU	Australia

If the remarks column says for example EXCEPT [FR] this part works in all countries except France. That means it will work here in the USA.

ALL PRODUCT INDEX
T1700HX

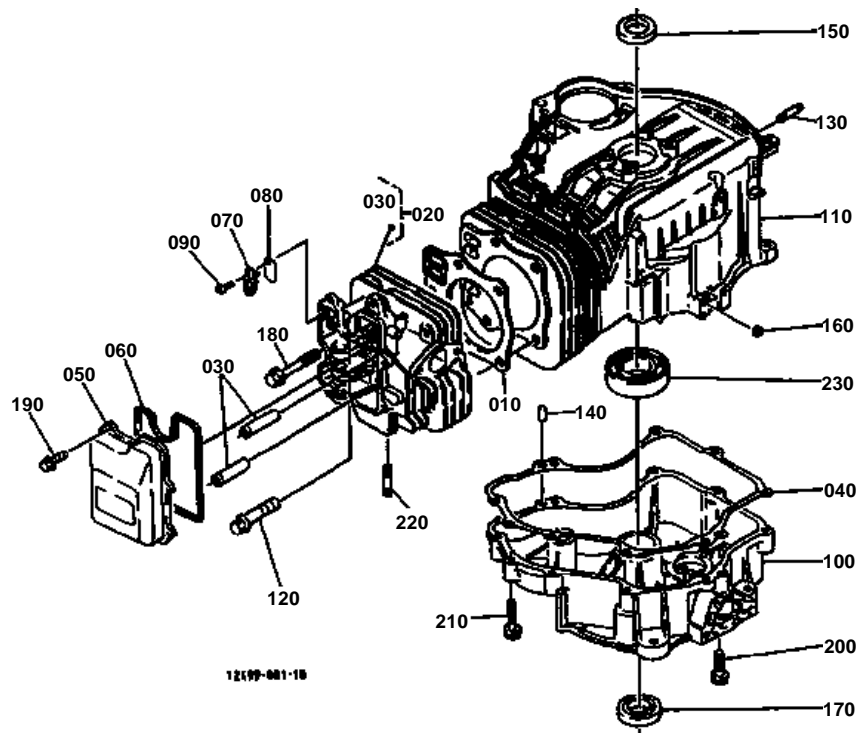


LABELS
ACCESSORIES



Item	Part No.	Description	Book	
ENGINE	01G01	CRANKCASE	100K0106	
	01G02	AIR CLEANER	100K0106	
	01G03	ROCKER ARM	100K0106	
	01G04	PISTON/CRANKSHAFT	100K0106	
	01G05	OIL PUMP	100K0106	
	01G06	FUEL PUMP	100K0106	
	01G07	CARBURETTOR	100K0106	
	01G08	CARBURETTOR [COMPONENT PARTS]	100K0106	
	01G09	SPEED CONTROL LEVER	100K0106	
	01G10	GOVERNOR	100K0106	
	01G11	STARTER [COMPONENT PARTS]	100K0106	
	01G12	FLYWHEEL/REGULATOR	100K0106	
	01G13	FAN COVER	100K0106	
	01G14	LABEL	100K0106	
FUEL SYSTEM	01G15	FUEL TANK	100K0106	
MUFFLER	01G16	MUFFLER	100K0106	
ELECTRICAL SYSTEM	01G17	BATTERY	100K0106	
	01G18	LIGHT	100K0106	
	01G19	DASHBOARD	100K0106	
	01G20	WIRE HARNESS	100K0106	
TRANSMISSION	01G21	TRANSMISSION CASE	100K0106	
	01G2201	HST/BEVEL GEAR SHAFT	100K0106	
	01G2202	HST	100K0106	
	01G2301	HST [COMPONENT PARTS]	100K0106	
	01G2302	HST [COMPONENT PARTS]	100K0106	
	01G24	DIFFERENTIAL CASE	100K0106	
	SPEED CHANGE	01G25	ELECTROMAGNETIC CLUTCH	100K0106
01G26		SPEED CHANGE PEDAL	100K0106	
01G2701		SPEED CHANGE ARM	100K0106	
	01G2702	SPEED CHANGE ARM	100K0106	
REAR AXLE/FRONT AXLE	01G2801	REAR AXLE FLANGE	100K0106	
	01G2802	REAR AXLE FLANGE	100K0106	
	01G29	FRONT AXLE	100K0106	
REAR WHEEL/FRONT WHEEL	01G3002	REAR WHEEL (20 X 10.00-8) / FRONT WHEEL (15 X 6.00-6)	100K0106	
BRAKE	01G31	BRAKE PEDAL	100K0106	
	01G3201	BRAKE ROD	100K0106	
	01G3202	BRAKE ROD	100K0106	
	01G33	BRAKE	100K0106	
STEERING	01G34	STEERING	100K0106	
MOWER LINK	01G35	LIFT LEVER	100K0106	
	01G36	LIFT LINK	100K0106	
	01G37	MOWER LINK	100K0106	
BONNET/HOOD/CHASSIS	01G38	HOOD	100K0106	
	01G39	SHUTTER PLATE	100K0106	
	01G40	PANEL	100K0106	
	01G41	FENDER	100K0106	
	01G42	FRAME	100K0106	
	01G43	STEP SEAT	100K0106	
	01G44	SEAT	100K0106	
	LABELS	01G45	LABEL	100K0106
	ACCESSORIES	01G46	ACCESSORIES	100K0106

CRANKCASE



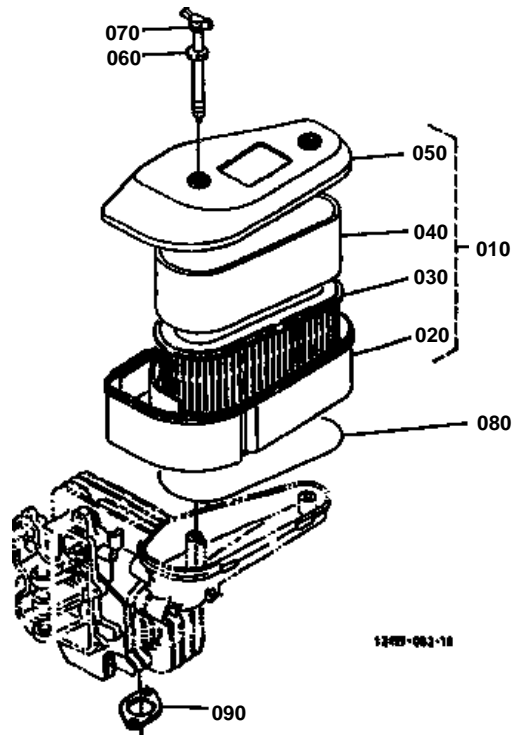


CRANKCASE

↔ Interchangeable; ≠ not interchangeable; ← new for old; → old for new

REF.No	Part No.	Description	Q'ty	S.No.	I/C	REMARKS	Weight (kgf)	Weight (lb)
010	12499-03310	GASKET,HEAD	1				0.01	0.022
020	12499-03110	COMP.CYLINDER HEAD	1				2.5	5.5
030	12499-05230	GUIDE,VALVE	2				0.025	0.055
040	12499-12520	GASKET,CRANKCASE	1				0.05	0.11
050	12499-14500	COVER,CYL.HEAD	1				0.25	0.55
060	12499-14520	GASKET,HEAD COVER	1				0.01	0.022
070	12499-05110	PLATE	1				0.002	0.0044
080	12499-05210	VALVE	1				0.001	0.0022
090	12499-05220	SCREW,CR-REC-PAN-HD	1				0.002	0.0044
100	12499-01050	COVER,CRANKCASE	1				3	6.6
110	12499-02110	COMP.CRANKCASE	1				7	15.4
120	12499-03450	BOLT	4				0.05	0.11
130	12499-03120	STUD	4				0.004	0.0088
140	12499-01060	PIN	2				0.002	0.0044
150	12499-16640	SEAL,OIL	1				0.012	0.0264
160	12499-16650	SEAL,OIL	1				0.001	0.0022
170	12499-16660	SEAL,OIL	1				0	0
180	12499-03460	BOLT	1				0.05	0.11
190	12499-14510	BOLT,FLANGE	4				0.005	0.011
200	12499-91110	BOLT,FLANGE	1				0	0
210	12499-91120	BOLT,FLANGE	8				0.022	0.0484
220	12499-91130	STUD	2				0.01	0.022
230	12499-91140	BEARING,BALL	1				0.45	0.99

AIR CLEANER



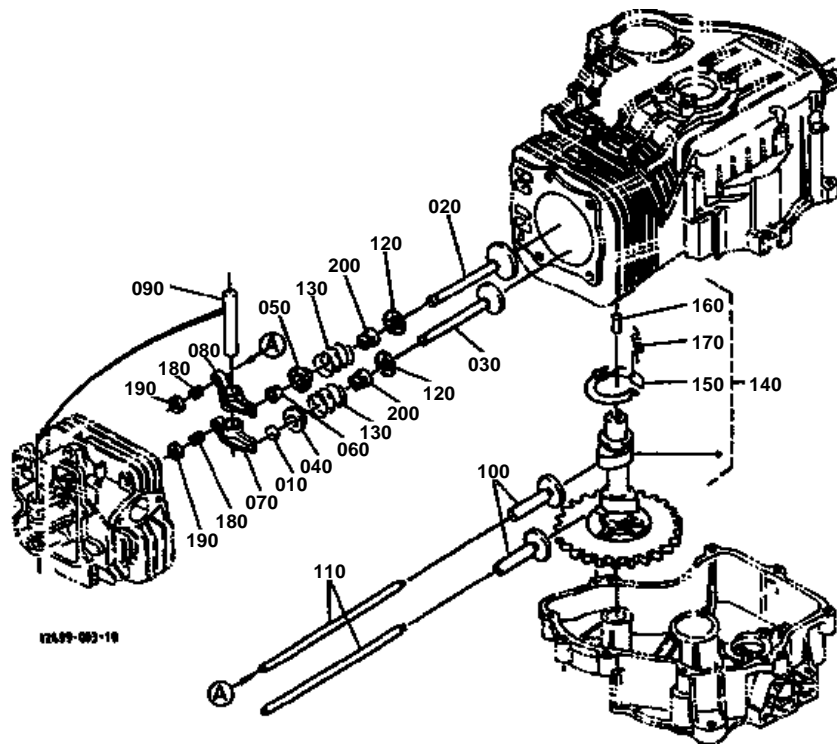


AIR CLEANER

↔ Interchangeable; ≠ not interchangeable; ← new for old; → old for new

REF.No	Part No.	Description	Q'ty	S.No.	I/C	REMARKS	Weight (kgf)	Weight (lb)
010	12499-11010	ASSY CLEANER,AIR	1				0.55	1.21
020	12499-11150	CASE,AIR CLEANER	1				0.21	0.462
030	12499-11210	ELEMENT	1				0.15	0.33
040	12499-11220	ELEMENT	1				0.01	0.022
050	12499-11160	CAP,AIR CLEANER	1				0.15	0.33
060	12499-11170	WASHER,PLAIN	2				0.008	0.0176
070	12499-11180	BOLT	2				0.033	0.0726
080	12499-11510	GASKET,AIR CLEANER	1				0.01	0.022
090	12499-12230	GASKET,MUFFLER	1				0.005	0.011

ROCKER ARM

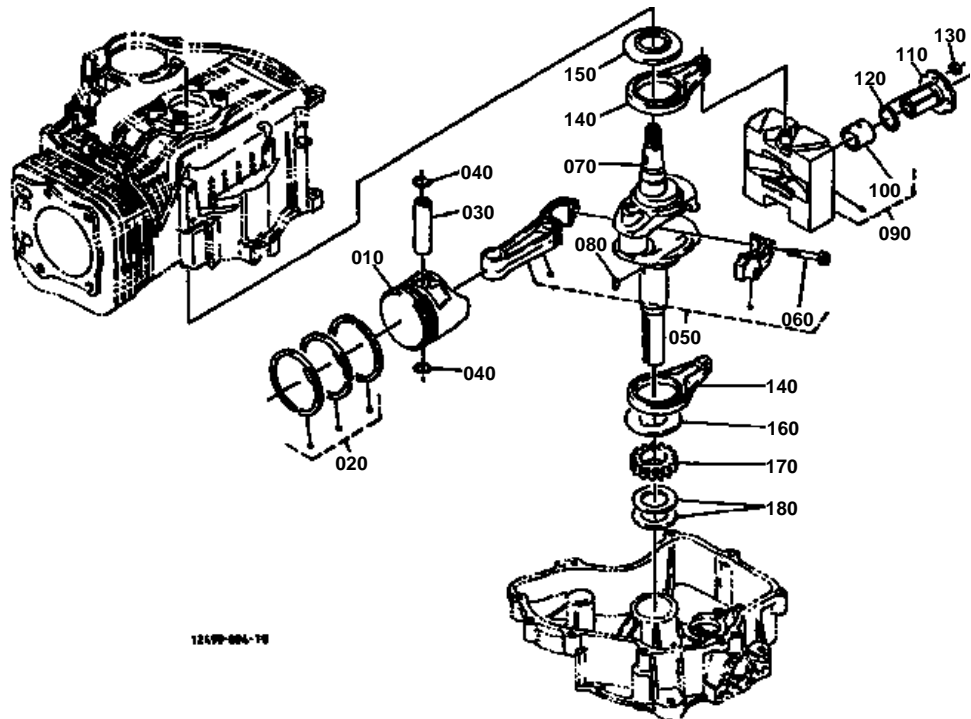




ROCKER ARM

↔ Interchangeable; ≠ not interchangeable; ← new for old; → old for new

REF.No	Part No.	Description	Q'ty	S.No.	I/C	REMARKS	Weight (kgf)	Weight (lb)
010	12499-13350	COLLET,VALVE SPRING	1				0.01	0.022
020	12499-13110	VALVE,INTAKE	1				0.07	0.154
030	12499-13120	VALVE,EXHAUST	1				0.06	0.132
040	12499-13330	RETAINER,SPRING	1				0.014	0.0308
050	12499-13340	RETAINER,SPRING	1				0.008	0.0176
060	12499-13360	COLLET	2				0.004	0.0088
070	12499-14020	ARM,ROCKER	1				0.047	0.1034
080	12499-14030	ARM,ROCKER	1				0.046	0.1012
090	12499-14040	SHAFT,ROCKER	1				0.078	0.1716
100	12499-15550	TAPPET	2				0.05	0.11
110	12499-15110	PUSH ROD	2				0.028	0.0616
120	12499-15120	SPRING,SEAT	2				0.003	0.0066
130	12499-13240	SPRING,VALVE	2				0.05	0.11
140	12499-16150	COMP.CAMSHAFT	1				1.05	2.31
150	12499-15130	DECOMPRESSOR	1				0.034	0.0748
160	12499-15140	PIN	2				0.001	0.0022
170	12499-15150	SPRING	1				0.001	0.0022
180	12499-14230	SCREW,ADJUST	2				0.004	0.0088
190	12499-14240	NUT	2				0.002	0.0044
200	12499-13150	SEAL,OIL	2				0.002	0.0044



12499-004-10

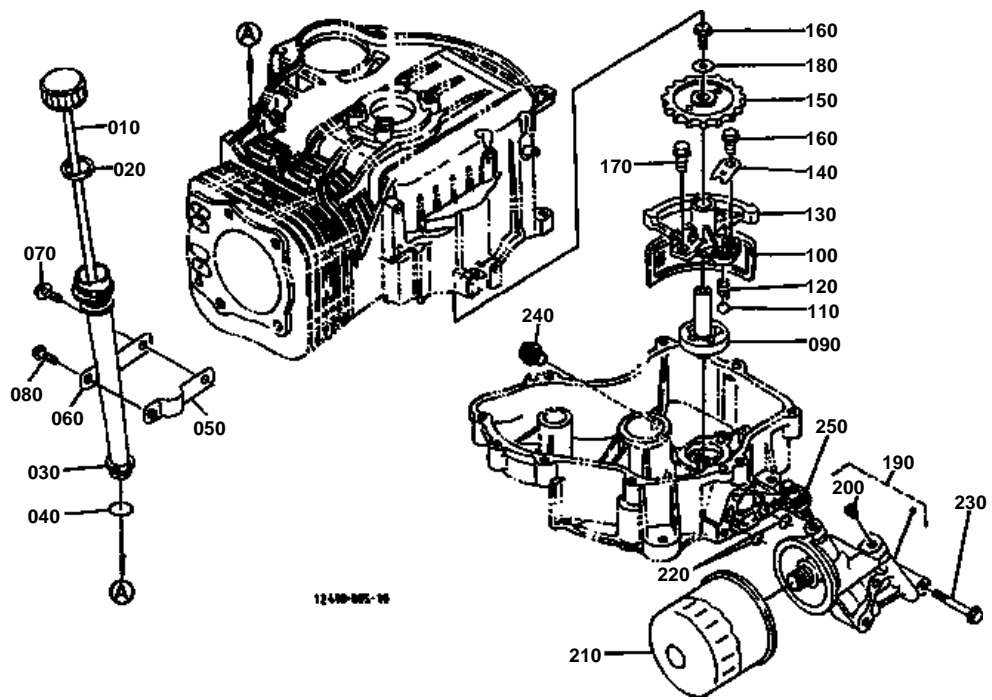


PISTON/CRANKSHAFT

↔ Interchangeable; ≠ not interchangeable; ← new for old; → old for new

REF.No	Part No.	Description	Q'ty	S.No.	I/C	REMARKS	Weight (kgf)	Weight (lb)
010	12499-21110	PISTON	1			STD	0.35	0.77
010	12499-21910	PISTON	1			+0.25MM	0.31	0.682
010	12499-21920	PISTON	1			+0.50MM	0.31	0.682
010	12499-21930	PISTON	1			+0.75MM	0.31	0.682
020	12499-21050	ASSY PISTON RING	1			STD <=NOV.1994	0.05	0.11
020	12498-21050	ASSY PISTON RING	1		↔	STD >=DEC.1994	0.041	0.0902
020	12499-21080	ASSY PISTON RING	1			+0.25MM <=NOV.1994	0	0
020	12498-21080	ASSY PISTON RING	1		↔	+0.25MM >=DEC.1994	0.05	0.11
020	12499-21090	ASSY PISTON RING	1			+0.50MM <=NOV.1994	0	0
020	12498-21090	ASSY PISTON RING	1		↔	+0.50MM >=DEC.1994	0.042	0.0924
020	12499-21100	ASSY PISTON RING	1			+0.75MM	0.042	0.0924
030	12499-21310	PIN,PISTON	1				0.05	0.11
040	12499-21330	CLIP,PISTON PIN	2				0.001	0.0022
050	12499-22010	ASSY ROD,CONNECTING	1			STD	0.325	0.715
050	12499-22020	ASSY ROD,CONNECTING	1			-0.50MM	0.08	0.176
060	12499-22140	BOLT	1				0.02	0.044
070	12499-23010	ASSY CRANKSHAFT	1				5.7	12.54
080	12499-67050	KEY	1				0.003	0.0066
090	12499-26410	WEIGHT,BALANCER	1				3.19	7.018
100	12499-23020	BUSH	1				0.02	0.044
110	12499-26420	SHAFT	1				0.12	0.264
120	12499-95250	O RING	1				0.01	0.022
130	12499-26430	NUT	4				0.003	0.0066
140	12499-22030	ROD	2				0.15	0.33
150	12499-23780	SPACER	1				0.07	0.154
160	12499-23790	SPACER	1				0.05	0.11
170	12499-26440	GEAR	1				0.17	0.374
180	12499-23610	SHIM	1			1.180MM	0.02	0.044
180	12499-23620	SHIM	1			1.250MM	0.013	0.0286
180	12499-23630	SHIM	1			1.320MM	0.013	0.0286
180	12499-23640	SHIM	1			1.390MM	0.014	0.0308
180	12499-23650	SHIM	1			1.460MM	0.019	0.0418
180	12499-23660	SHIM	1			1.530MM	0.018	0.0396
180	12499-23670	SHIM	1			1.600MM	0.019	0.0418
180	12499-23680	SHIM	1			1.670MM	0.02	0.044
180	12499-23690	SHIM	1			1.740MM	0.001	0.0022
180	12499-23700	SHIM	1			1.215MM	0.015	0.033
180	12499-23710	SHIM	1			1.285MM	0.017	0.0374
180	12499-23720	SHIM	1			1.355MM	0.019	0.0418
180	12499-23730	SHIM	1			1.425MM	0.017	0.0374
180	12499-23740	SHIM	1			1.495MM	0.018	0.0396
180	12499-23750	SHIM	1			1.565MM	0.018	0.0396
180	12499-23760	SHIM	1			1.635MM	0.02	0.044
180	12499-23770	SHIM	1			1.705MM	0.016	0.0352

OIL PUMP



12440-005-16

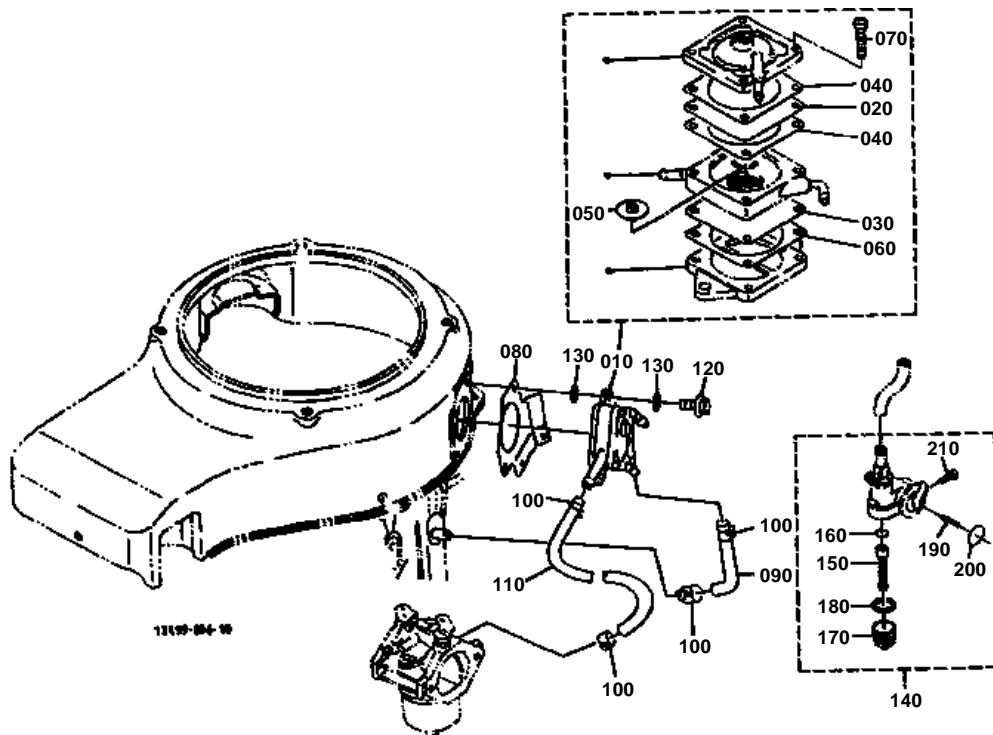


OIL PUMP

↔ Interchangeable; ≠ not interchangeable; ← new for old; → old for new

REF.No	Part No.	Description	Q'ty	S.No.	I/C	REMARKS	Weight (kgf)	Weight (lb)
010	12499-36410	GAUGE,OIL	1				0.02	0.044
020	12499-36420	GASKET,OIL GAUGE	1				0.01	0.022
030	12499-36460	SUPPORT,OIL GAUGE	1				0.05	0.11
040	12499-36430	O RING	1				0.001	0.0022
050	12499-36440	STAY	1				0	0
060	12499-36450	STAY	1				0	0
070	12499-36470	BOLT,FLANGE	1				0.006	0.0132
080	12499-36480	SCREW,CR-REC-PAN-HD	1				0.003	0.0066
090	12499-35070	ASSY PUMP,OIL	1				0.15	0.33
100	12499-35060	FILTER,OIL	1				0.01	0.022
110	12499-35050	BALL	1				0.002	0.0044
120	12499-35040	SPRING	1				0	0
130	12499-35130	COVER,PUMP	1				0	0
140	12499-35140	PLATE	1				0.008	0.0176
150	12499-35150	GEAR	1				0.12	0.264
160	12499-35160	BOLT,FLANGE	2				0.005	0.011
170	12499-35170	BOLT,FLANGE	2				0	0
180	12499-35180	WASHER,PLAIN	1				0.004	0.0088
190	12499-32290	COMP.PIPE	1				0.4	0.88
200	12499-32280	PLUG	1				0.003	0.0066
210	12499-32430	FILTER,OIL	1				0.2	0.44
220	12499-32440	O RING	2				0	0
230	12499-35190	BOLT,FLANGE	3				0.02	0.044
240	12499-32450	PLUG	1				0.03	0.066
250	12499-39010	SWITCH,OIL	1				0.05	0.11

FUEL PUMP

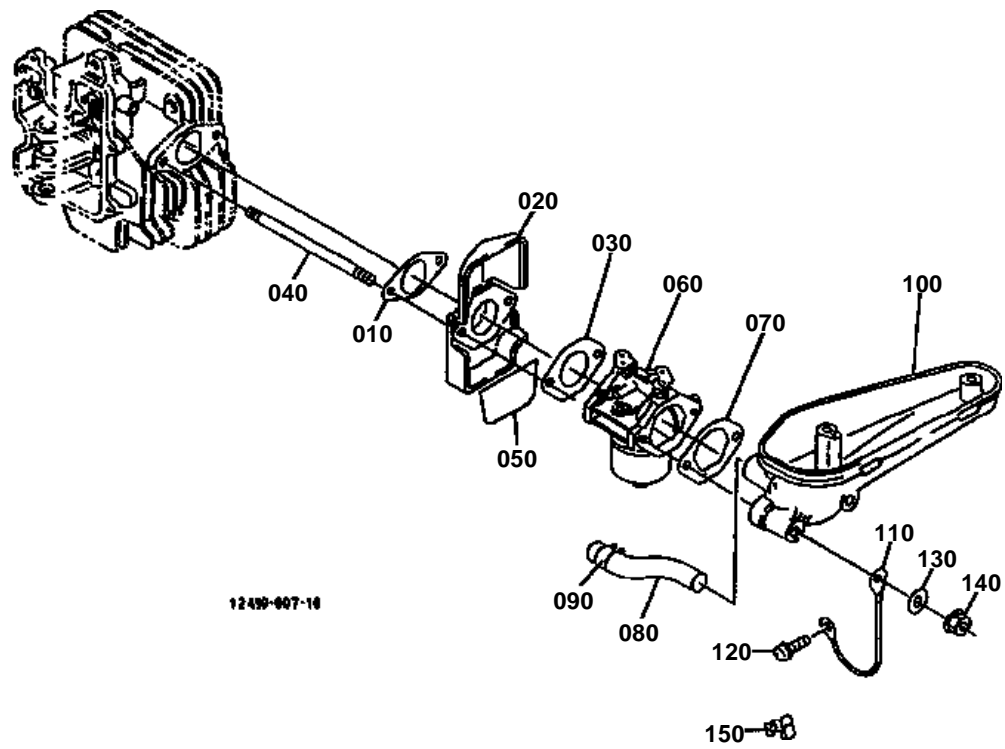


**FUEL PUMP**

↔ Interchangeable; ≠ not interchangeable; ← new for old; → old for new

REF.No	Part No.	Description	Q'ty	S.No.	I/C	REMARKS	Weight (kgf)	Weight (lb)
010	12499-43010	PUMP,FUEL	1				0.2	0.44
020	12499-43020	DIAPHRAGM	1				0.01	0.022
030	12499-43140	DIAPHRAGM	1				0.001	0.0022
040	12499-43030	GASKET	2				0.01	0.022
050	12499-43040	ASSY VALVE	2				0.001	0.0022
060	12499-43050	GASKET	1				0.01	0.022
070	12499-43060	SCREW,CR-REC-PAN-HD	4				0.005	0.011
080	12499-43150	PLATE	1				0.053	0.1166
090	12499-43070	TUBE	1				0	0
100	12499-43080	CLAMP	4				0	0
110	12499-43070	TUBE	1				0	0
120	12499-43110	BOLT,FLANGE	2				0.006	0.0132
130	12499-43160	WASHER	4				0.01	0.022
140	12499-43120	ASSY FILTER,FUEL	1				0.1	0.22
150	12499-43230	ELEMENT,FILTER	1				0.001	0.0022
160	12499-43240	O RING	1				0.001	0.0022
170	12499-43210	FILTER,POT	1				0.002	0.0044
180	12499-43220	GASKET	1				0.001	0.0022
190	12499-43260	SPRING	1				0	0
200	12499-43250	O RING	1				0.001	0.0022
210	12499-43270	SCREW,CR-REC-PAN-HD	1				0.006	0.0132

CARBURETTOR

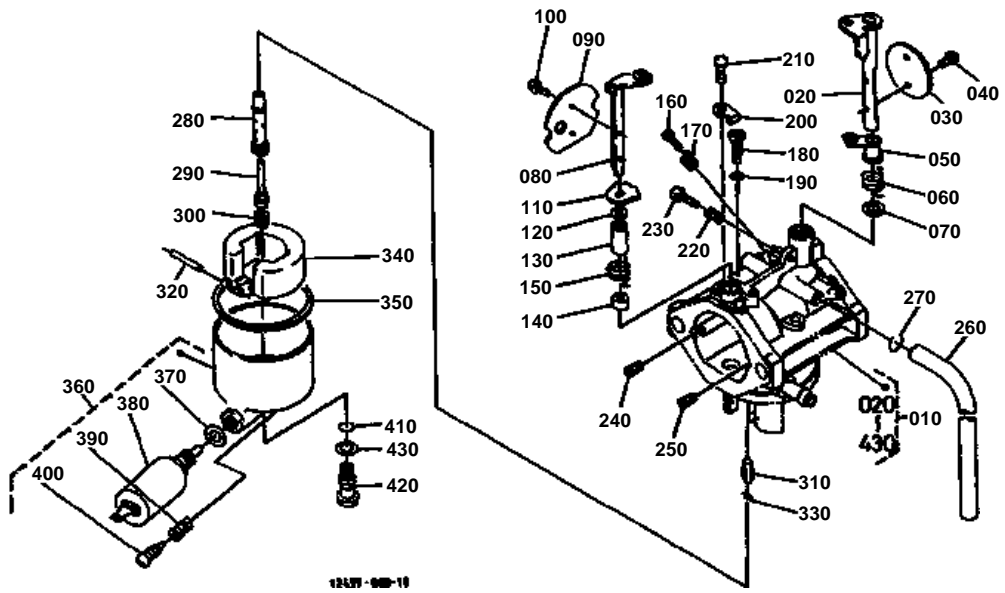


**CARBURETTOR**

↔ Interchangeable; ≠ not interchangeable; ← new for old; → old for new

REF.No	Part No.	Description	Q'ty	S.No.	I/C	REMARKS	Weight (kgf)	Weight (lb)
010	12499-46170	GASKET,INSULATOR	1				0.01	0.022
020	12499-46150	INSULATOR	1				0	0
030	12499-46160	GASKET,CARBURETTOR	1				0.01	0.022
040	12499-46140	STUD	2				0	0
050	12499-46130	MAT	1				0.003	0.0066
060	12499-44010	ASSY CARBURETTOR	1				0.5	1.1
070	12499-46180	GASKET	1				0.01	0.022
080	12499-05510	TUBE	1				0.018	0.0396
090	12499-05520	CLAMP	1				0	0
100	12499-11600	PIPE,INTAKE	1				0	0
110	12499-49110	WIRE HARNESS	1				0.005	0.011
120	12499-49120	SCREW,CR-REC-PAN-HD	1				0.003	0.0066
130	12499-49130	WASHER,PLAIN	1				0.001	0.0022
140	12499-49140	NUT	2				0	0
150	12499-49150	CLAMP	1				0	0

CARBURETTOR [COMPONENT PARTS]

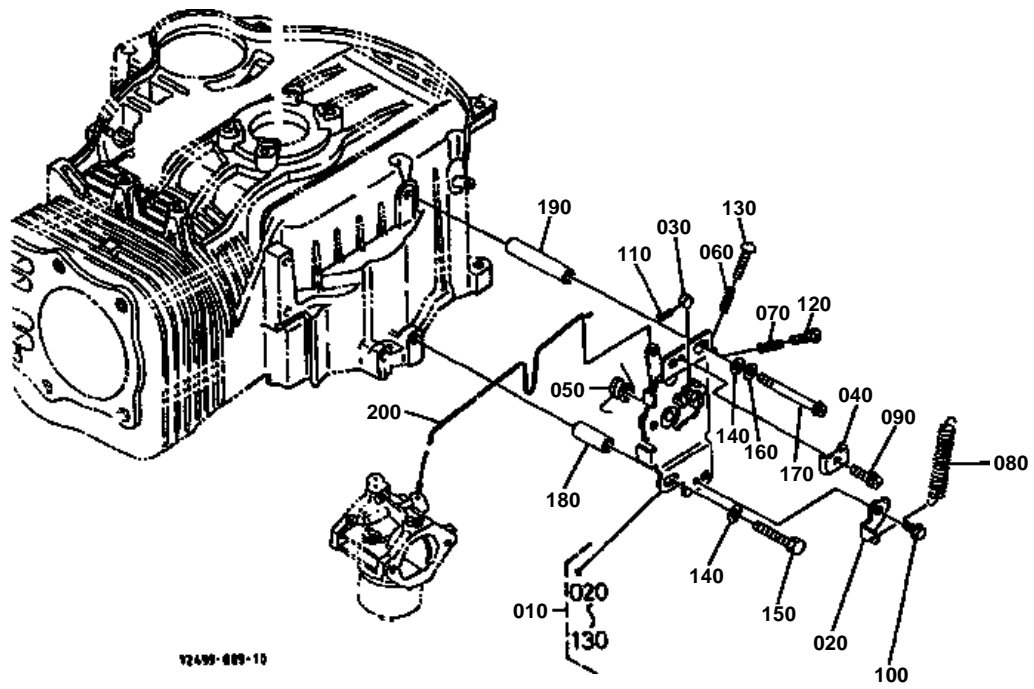


**CARBURETTOR [COMPONENT PARTS]**

↔ Interchangeable; ≠ not interchangeable; ← new for old; → old for new

REF.No	Part No.	Description	Q'ty	S.No.	I/C	REMARKS	Weight (kgf)	Weight (lb)
010	12499-44010	ASSY CARBURETTOR	1				0.5	1.1
020	12499-44300	SHAFT,THROTTLE	1				0.016	0.0352
030	12499-44320	VALVE,THROTTLE	1				0.007	0.0154
040	12499-44330	SCREW,CR-REC-PAN-HD	2				0	0
050	12499-44340	COLLAR	1				0.001	0.0022
060	12499-44350	SPRING	1				0	0
070	12499-44570	SEAL	1				0.001	0.0022
080	12499-44550	SHAFT,CHOKE	1				0.008	0.0176
090	12499-44530	VALVE,CHOKE	1				0.007	0.0154
100	12499-44520	SCREW,CR-REC-PAN-HD	2				0	0
110	12499-44510	COLLAR	1				0	0
120	12499-44540	SEAL	1				0.001	0.0022
130	12499-44560	COLLAR	1				0	0
140	12499-44580	COLLAR	1				0	0
150	12499-44590	SPRING	1				0.001	0.0022
160	12499-44220	ADJUSTER	1				0.002	0.0044
170	12499-44810	SPRING	1				0	0
180	12499-44180	PILOT JET	1				0.001	0.0022
190	12499-44170	GASKET	1				0.001	0.0022
200	12499-44160	PLATE	1				0	0
210	12499-44150	SCREW,CR-REC-PAN-HD	1				0.003	0.0066
220	12499-44140	SPRING	1				0	0
230	12499-44130	SCREW,CR-REC-PAN-HD	1				0.002	0.0044
240	12499-44210	JET,AIR	1				0.001	0.0022
250	12499-44210	JET,AIR	1				0.001	0.0022
260	12499-30100	TUBE	1				0	0
270	12499-30110	CLAMP	1				0.001	0.0022
280	12499-44120	NOZZLE,MAIN	1				0.01	0.022
290	12499-44250	HOLDER,MAIN JET	1				0.01	0.022
300	12499-44260	MAIN JET	1				0.01	0.022
310	12499-44840	ASSY NEEDLE	1				0.01	0.022
320	12499-44780	PIN	1				0	0
330	12499-44790	PIN,SNAP	1				0.001	0.0022
340	12499-44720	FLOAT	1				0.01	0.022
350	12499-44750	GASKET	1				0.01	0.022
360	12499-44700	COMP.CHAMBER	1				0.12	0.264
370	12499-44710	WASHER,PLAIN	1				0.001	0.0022
380	12499-83500	SOLENOID	1				0.06	0.132
390	12499-44850	SPRING	1				0.01	0.022
400	12499-44860	SCREW,CR-REC-PAN-HD	1				0.01	0.022
410	12499-96840	O RING	1				0.001	0.0022
420	12499-44820	HOLDER,JET	1				0.01	0.022
430	12499-44870	GASKET	1				0.001	0.0022

SPEED CONTROL LEVER

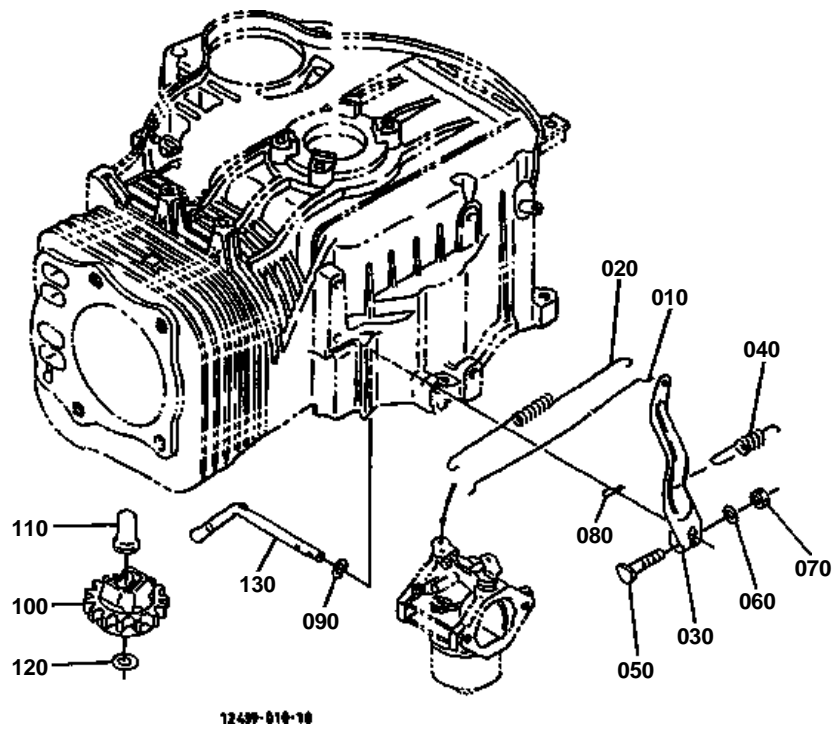




SPEED CONTROL LEVER

↔ Interchangeable; ≠ not interchangeable; ← new for old; → old for new

REF.No	Part No.	Description	Q'ty	S.No.	I/C	REMARKS	Weight (kgf)	Weight (lb)
010	12499-57180	COMP.LEVER,CONTROL	1				0.17	0.374
020	12499-57190	BRACKET	1				0.004	0.0088
030	12499-57310	NUT	1				0.004	0.0088
040	12499-57320	CLAMP	1				0.005	0.011
050	12499-57330	SPRING	1				0.01	0.022
060	12499-57340	SPRING	1				0.002	0.0044
070	12499-57350	SPRING	1				0.001	0.0022
080	12499-57360	SPRING	1				0.005	0.011
090	12499-57370	BOLT	1				0.004	0.0088
100	12499-57380	BOLT,FLANGE	1				0.004	0.0088
110	12499-57390	SCREW,CR-REC-PAN-HD	1				0.002	0.0044
120	12499-57410	SCREW,CR-REC-PAN-HD	1				0.002	0.0044
130	12499-57420	SCREW,CR-REC-PAN-HD	1				0.002	0.0044
140	12499-57170	WASHER,PLAIN	2				0.001	0.0022
150	12489-57160	BOLT	1				0.009	0.0198
160	12499-57150	WASHER,SPRING	1				0	0
170	12499-57140	BOLT	1				0	0
180	12499-57130	COLLAR	1				0.026	0.0572
190	12499-57120	COLLAR	1				0	0
200	12499-57810	ROD,CHOKE	1				0.01	0.022

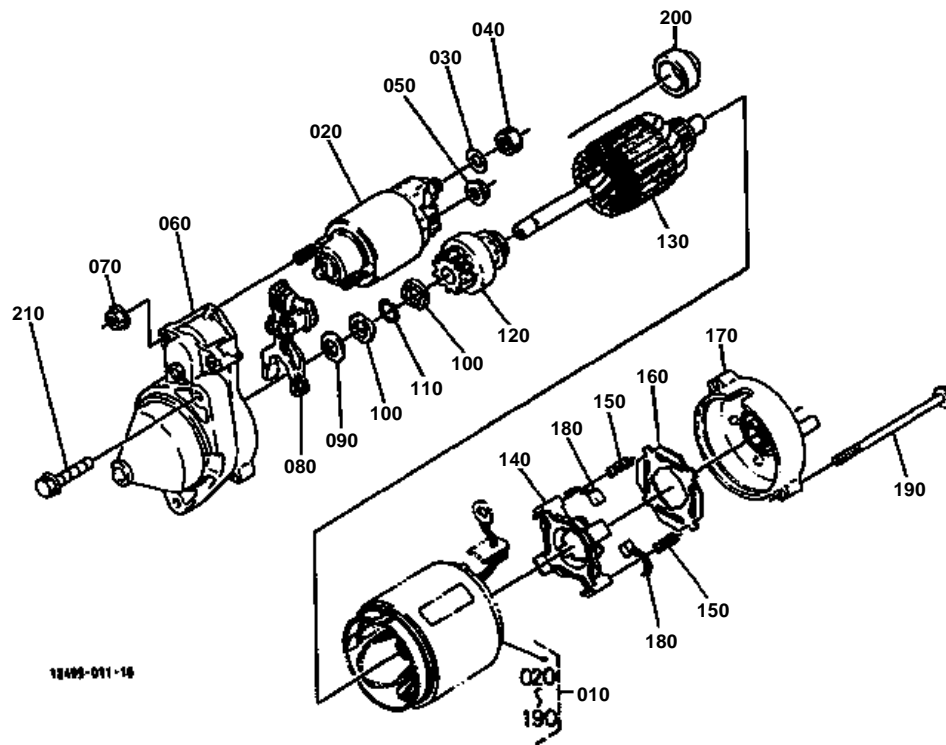


**GOVERNOR**

↔ Interchangeable; ≠ not interchangeable; ← new for old; → old for new

REF.No	Part No.	Description	Q'ty	S.No.	I/C	REMARKS	Weight (kgf)	Weight (lb)
010	12499-57820	ROD,GOVERNOR	1				0.01	0.022
020	12499-56390	SPRING	1				0.01	0.022
030	12499-56110	LEVER,GOVERNOR	1				0.043	0.0946
040	12499-56410	SPRING	1				0.01	0.022
050	12499-56120	BOLT	1				0.009	0.0198
060	12499-56130	WASHER,PLAIN	1				0.001	0.0022
070	12499-56140	NUT	1				0.002	0.0044
080	12499-56150	PIN,SNAP	1				0.001	0.0022
090	12499-56160	WASHER,PLAIN	1				0.001	0.0022
100	12499-55290	COMP.GEAR,GOVERNOR	1				0.04	0.088
110	12499-55450	SLEEVE,GOVERNOR	1				0.005	0.011
120	12499-55460	WASHER,PLAIN	1				0.001	0.0022
130	12499-56170	SHAFT,GOV.LEVER	1				0.02	0.044

STARTER [COMPONENT PARTS]

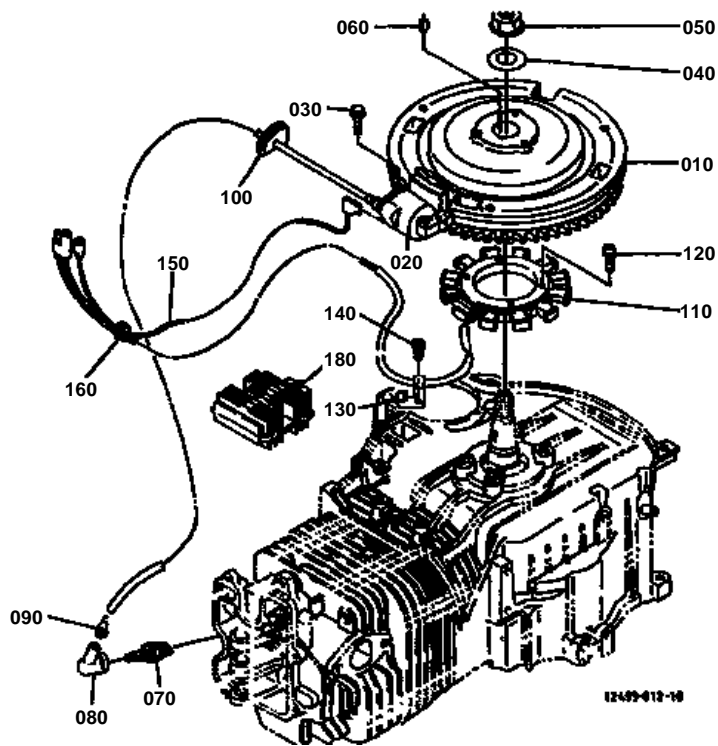


**STARTER [COMPONENT PARTS]**

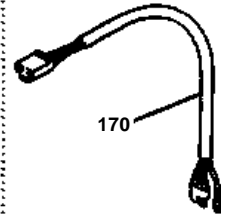
↔ Interchangeable; ≠ not interchangeable; ← new for old; → old for new

REF.No	Part No.	Description	Q'ty	S.No.	I/C	REMARKS	Weight (kgf)	Weight (lb)
010	12499-63010	STARTER	1				3.3	7.26
020	12499-63020	SWITCH	1				0.6	1.32
030	12499-63030	WASHER,SPRING	1				0.002	0.0044
040	12499-63080	NUT	1				0.004	0.0088
050	12499-63130	NUT	1				0.004	0.0088
060	12499-63060	ASSY COVER	1				0	0
070	12499-63140	NUT	2				0.003	0.0066
080	12499-63050	LEVER,SHIFT	1				0.02	0.044
090	12499-63090	WASHER,PLAIN	1				0.001	0.0022
100	12499-63110	STOPPER	2				0.012	0.0264
110	12499-63120	PIN,SNAP	1				0.001	0.0022
120	12499-63040	ASSY CLUTCH	1				0.2	0.44
130	12499-63070	ARMATURE	1				0.8	1.76
140	12499-63380	HOLDER,BRUSH	1				0.015	0.033
150	12499-63390	SPRING,BRUSH	4				0.01	0.022
160	12499-63680	INSULATOR	1				0.005	0.011
170	12499-63450	ASSY COVER	1				0.112	0.2464
180	12499-63440	BRUSH	4				0.01	0.022
190	12499-63430	BOLT	2				0.016	0.0352
200	12499-63670	COVER	1				0.002	0.0044
210	12499-63660	BOLT,FLANGE	2				0.017	0.0374

FLYWHEEL/REGULATOR



170 12499-6813-0



12499-6813-0

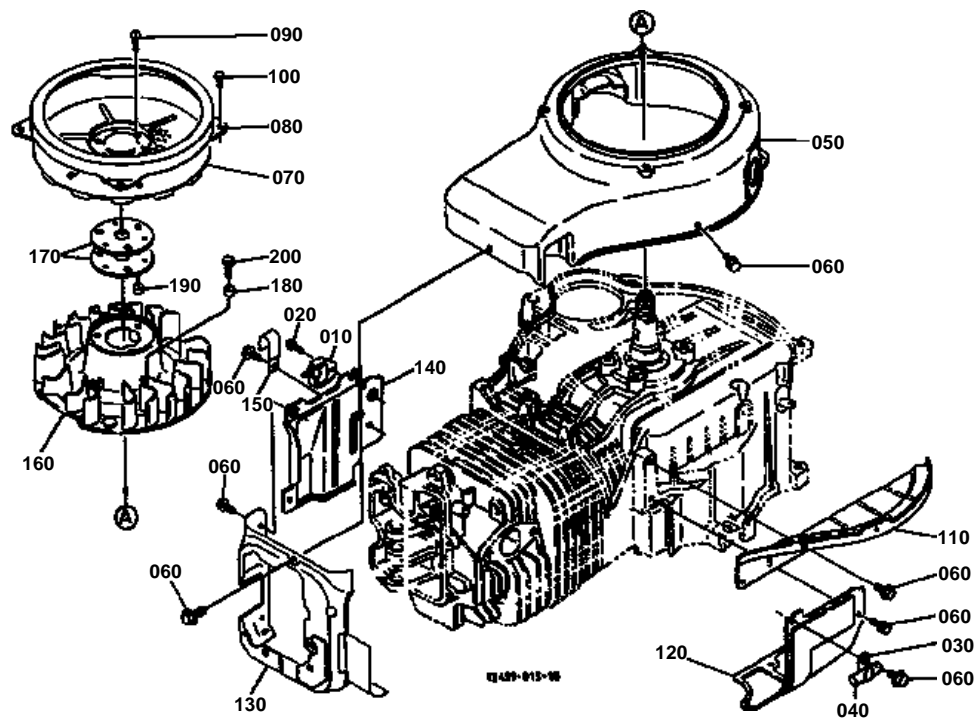


FLYWHEEL/REGULATOR

↔ Interchangeable; ≠ not interchangeable; ← new for old; → old for new

REF.No	Part No.	Description	Q'ty	S.No.	I/C	REMARKS	Weight (kgf)	Weight (lb)
010	12499-67030	ASSY FLYWHEEL	1				7	15.4
020	12499-67060	COIL,IGNITION	1				0.2	0.44
030	12499-67020	BOLT,FLANGE	2				0.004	0.0088
040	12499-67010	WASHER,PLAIN	1				0.02	0.044
050	12499-67040	NUT	1				0.05	0.11
060	12499-67050	KEY	1				0.003	0.0066
070	12499-67740	SPARK PLUG	1				0.05	0.11
080	12499-67720	CAP,SPARK PLUG	1				0.01	0.022
090	12499-67730	TERMINAL	1				0.01	0.022
100	12499-67710	GROMMET	1				0.007	0.0154
110	12499-67070	COIL,CHARGE	1				0.65	1.43
120	12499-67080	SCREW,PAN-HEAD	4				0	0
130	12499-67090	CLAMP	1				0.002	0.0044
140	12499-68000	SCREW,PAN-HEAD	1			≤OCT.1994	0	0
140	12499-05220	SCREW,PAN-HEAD	1		←	≥NOV.1994	0.002	0.0044
150	12499-68110	WIRE HARNESS	1				0.01	0.022
160	12499-68120	GROMMET	1				0.002	0.0044
170	12499-68130	WIRE HARNESS	1			≤DEC.1991	0.04	0.088
180	12499-64600	COMP.REGULATOR	1				0.2	0.44

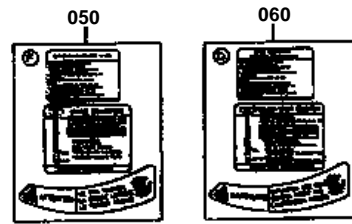
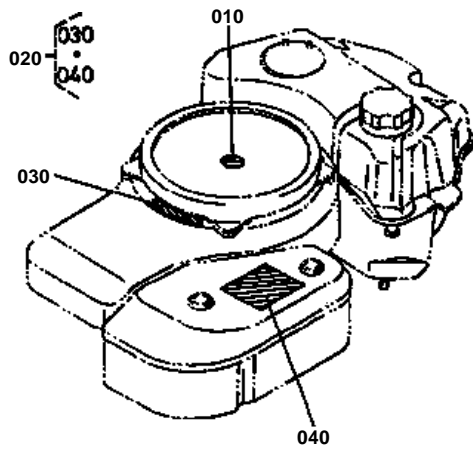
FAN COVER



**FAN COVER**

↔ Interchangeable; ≠ not interchangeable; ← new for old; → old for new

REF.No	Part No.	Description	Q'ty	S.No.	I/C	REMARKS	Weight (kgf)	Weight (lb)
010	12499-68140	IGNITER	1				0.01	0.022
020	12499-68150	SCREW,CR-REC-PAN-HD	1				0.001	0.0022
030	12499-68160	CLAMP	1				0.002	0.0044
040	12499-68170	TUBE	1				0.001	0.0022
050	12499-74380	COVER,FAN	1				1.4	3.08
060	12499-75320	BOLT,FLANGE	13				0.009	0.0198
070	12499-75370	COVER,SCREEN	1				0.25	0.55
080	12499-75360	GUARD	1				0.25	0.55
090	12499-75350	SCREW,PAN-HEAD	3				0.005	0.011
100	12499-57380	BOLT,FLANGE	4				0.004	0.0088
110	12499-75390	COVER,FAN	1				0.25	0.55
120	12499-74480	COVER	1				0.235	0.517
130	12499-74470	COVER	1				0.43	0.946
140	12499-74490	COVER	1				0.22	0.484
150	12499-68180	CLAMP	1				0	0
160	12499-74460	FAN	1				0.3	0.66
170	12499-74450	SHIM	1			AS REQUIRED	0.036	0.0792
180	12499-74430	COLLAR	4				0.002	0.0044
190	12499-74420	COLLAR	3				0.001	0.0022
200	12499-36470	BOLT,FLANGE	4				0.006	0.0132



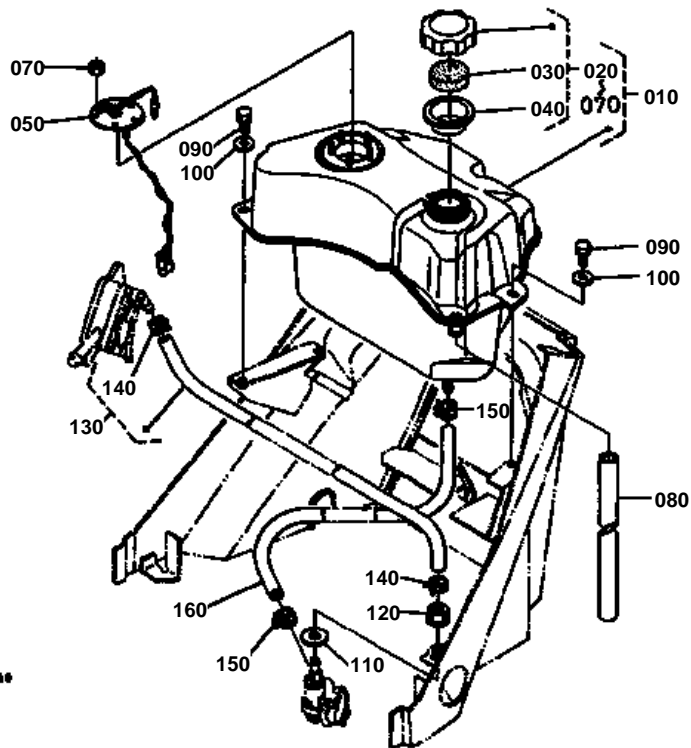
12402-014-10

**LABEL**

↔ Interchangeable; ≠ not interchangeable; ← new for old; → old for new

REF.No	Part No.	Description	Q'ty	S.No.	I/C	REMARKS	Weight (kgf)	Weight (lb)
010	12499-47140	LABEL	1				0.001	0.0022
020	12499-47110	ASSY LABEL	1			ENGLISH/ANGLAIS	0	0
030	12499-47150	LABEL	1			ENGLISH/ANGLAIS	0	0
040	12499-47160	LABEL,ELEMENT	1			ENGLISH/ANGLAIS	0.001	0.0022
050	12499-47120	ASSY LABEL	1			FRENCH/FRANCAIS	0.005	0.011
060	12499-47130	ASSY LABEL	1			GERMAN/ALLMAND	0	0

FUEL TANK



64001-001-10

060 04013-50050



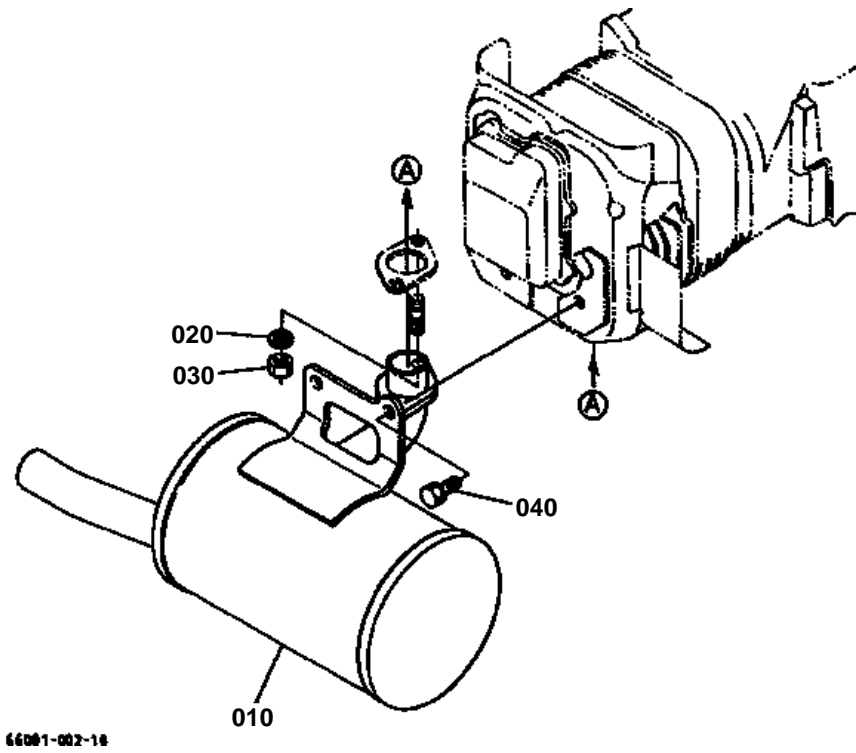
06001-000-10

**FUEL TANK**

↔ Interchangeable; ≠ not interchangeable; ← new for old; → old for new

REF.No	Part No.	Description	Q'ty	S.No.	I/C	REMARKS	Weight (kgf)	Weight (lb)
010	66001-54800	COMP TANK,FUEL	1				2.7	5.94
020	66071-54860	ASSY CAP,FUEL TANK	1				0.051	0.1122
030	54821-21630	SPONGE	1				0.002	0.0044
040	54821-21640	COVER,RUBBER	1				0.004	0.0088
050	66001-54820	SENSOR,FUEL GAUGE	1				0.05	0.11
060	04013-50050	WASHER,PLAIN	5	<=12023			0	0
070	02054-50050	NUT	5				0.002	0.0044
080	66071-54854	PIPE,DRAIN TANK	1				0.03	0.066
090	01123-50820	BOLT	3				0.011	0.0242
100	04015-50080	WASHER,PLAIN	3				0	0
110	04011-50120	WASHER,PLAIN	1				0.005	0.011
120	66071-41030	NUT,FLANGE	1	<=10572			0	0
120	02771-50120	NUT,FLANGE	1	>=10573	↔		0.018	0.0396
130	66001-58310	ASSY TUBE,FUEL	1				0.025	0.055
140	09318-88105	CLAMP,HOSE	2				0.01	0.022
150	09318-88125	CLAMP,HOSE	2				0.001	0.0022
160	12499-43130	TUBE,FUEL	1				0.15	0.33

MUFFLER



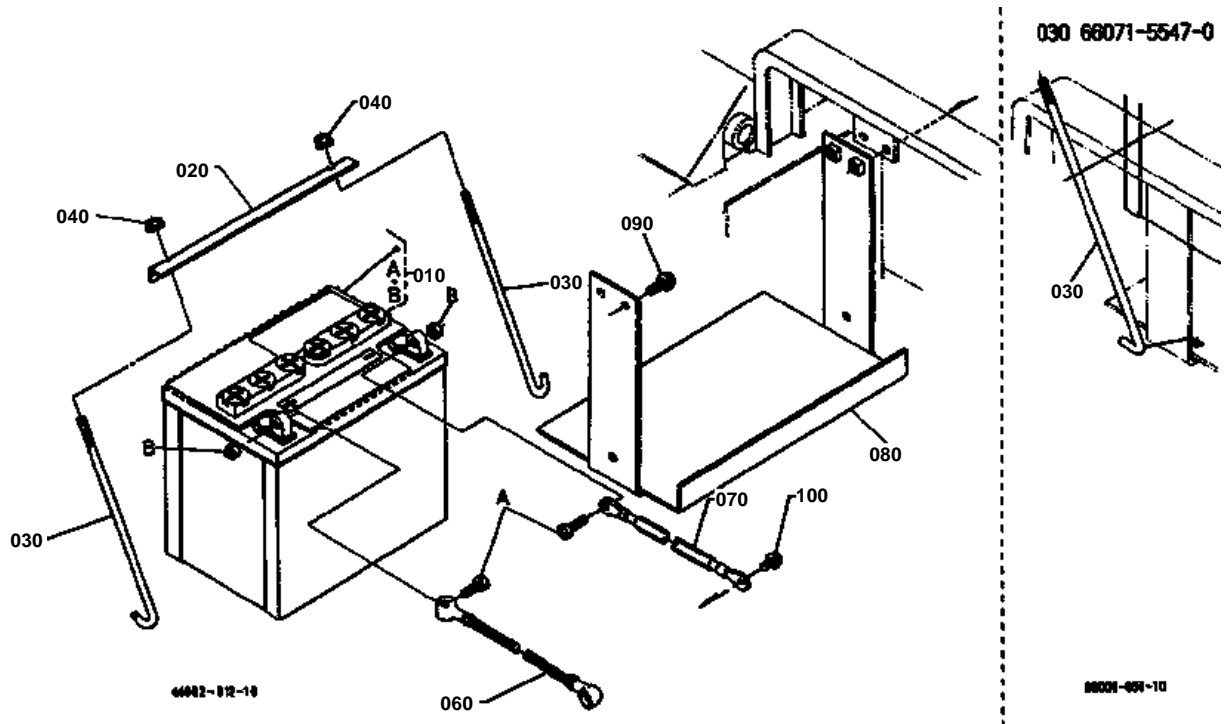
66001-002-10

**MUFFLER**

↔ Interchangeable; ≠ not interchangeable; ← new for old; → old for new

REF.No	Part No.	Description	Q'ty	S.No.	I/C	REMARKS	Weight (kgf)	Weight (lb)
010	66001-66110	COMP.MUFFLER	1				2.9	6.38
020	04512-50080	WASHER,SPRING	2				0	0
030	02156-50080	NUT	2				0.004	0.0088
040	01123-50818	BOLT	2				0.012	0.0264

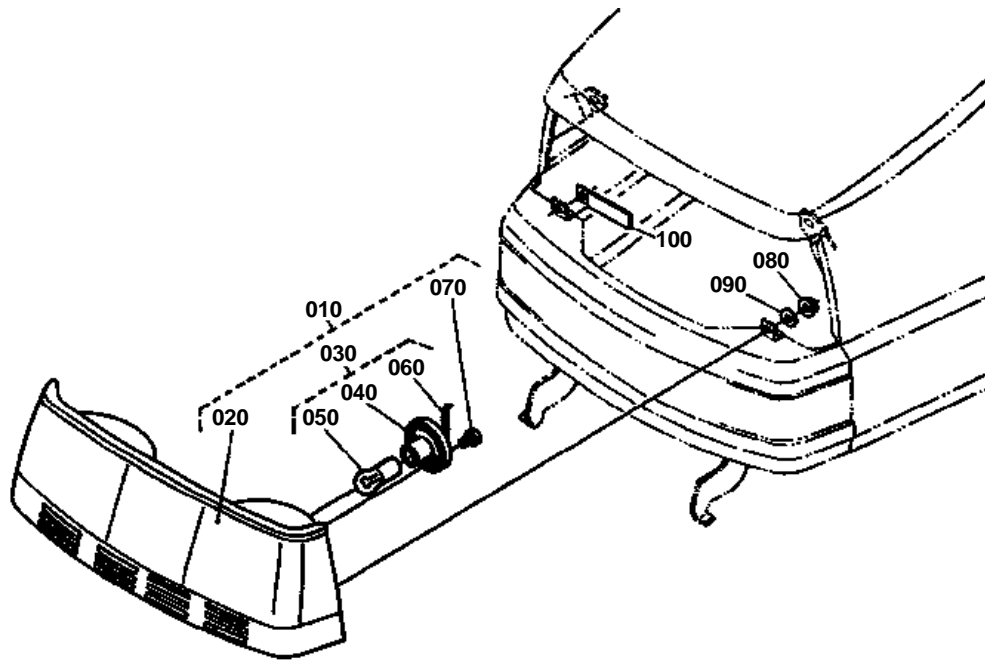
BATTERY



**BATTERY**

↔ Interchangeable; ≠ not interchangeable; ← new for old; → old for new

REF.No	Part No.	Description	Q'ty	S.No.	I/C	REMARKS	Weight (kgf)	Weight (lb)
010	66001-55400	ASSY BATTERY	1				7.8	17.16
020	66811-55420	RETAINER,BATTERY	1				0.082	0.1804
030	66071-55470	BOLT,BATTERY SET	2	≤12023			0.037	0.0814
030	38430-33290	BOLT,HOOK	2	≥50001	≠		0.005	0.011
040	02751-50060	NUT,FLANGE	2				0.005	0.011
050	99999-99999	BLANK	0				0	0
060	66001-55430	CORD,BATTERY	1				0.25	0.55
070	66071-55440	CORD,BATTERY (-)	1				0.037	0.0814
080	66071-55610	BRACKET,BATTERY	1	≥50001			0.96	2.112
090	01025-50616	BOLT	4	≥50001			0.005	0.011
100	01754-50612	BOLT,FLANGE	1				0.005	0.011

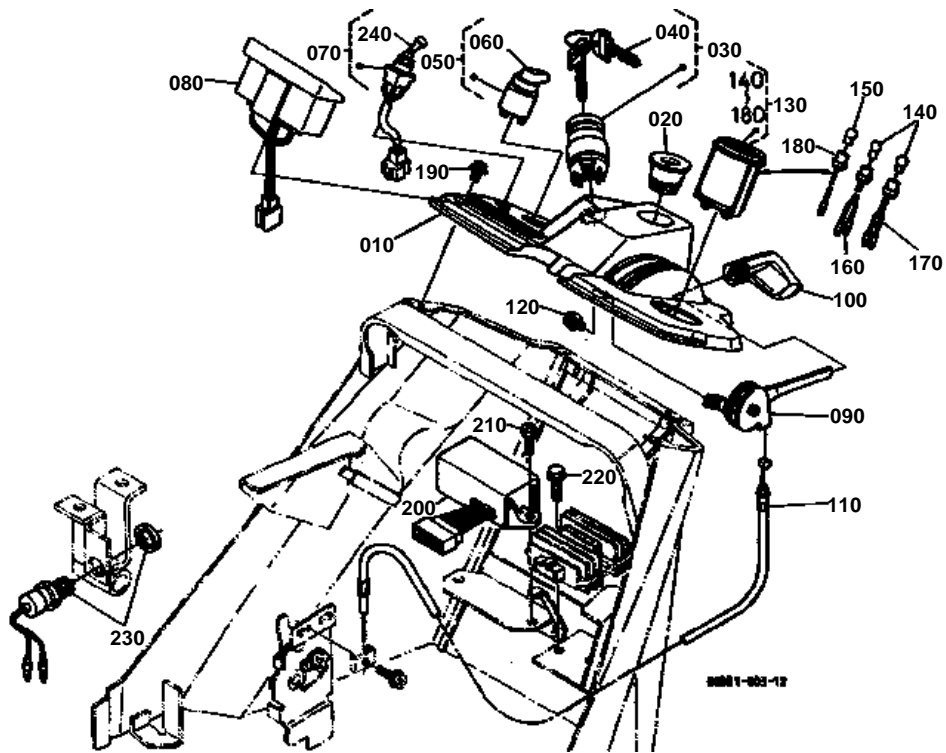


4476-804-10

**LIGHT**

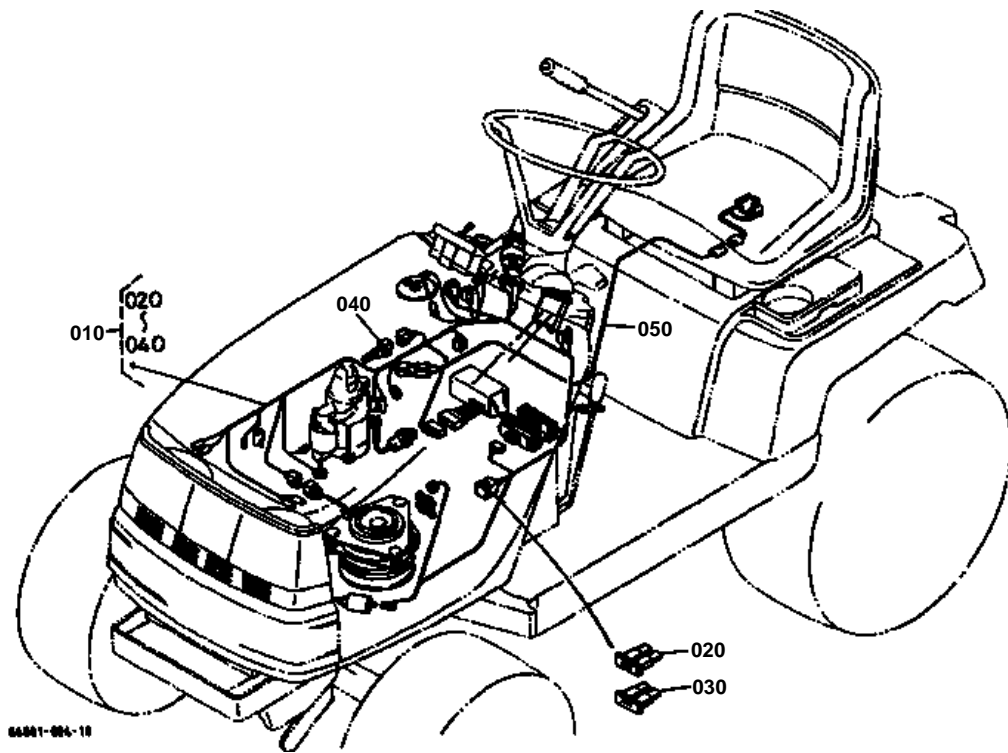
↔ Interchangeable; ≠ not interchangeable; ← new for old; → old for new

REF.No	Part No.	Description	Q'ty	S.No.	I/C	REMARKS	Weight (kgf)	Weight (lb)
010	66071-55300	ASSY LIGHT,HEAD	1				0.56	1.232
020	66071-55310	COMP.LENS	1				0.5	1.1
030	66071-55320	ASSY SOCKET,BULB	2				0.04	0.088
040	66071-55340	SOCKET	2				0.026	0.0572
050	66071-55350	BULB	2				0.008	0.0176
060	66071-55360	WIRE,LEAD (+)	2				0.006	0.0132
070	66071-55330	SCREW,TAPPING	4				0.002	0.0044
080	02751-50060	NUT,FLANGE	4				0.005	0.011
090	04013-50060	WASHER,PLAIN	4				0	0
100	15241-67570	CLAMP,CORD	1				0.003	0.0066



↔ Interchangeable; ≠ not interchangeable; ← new for old; → old for new

REF.No	Part No.	Description	Q'ty	S.No.	I/C	REMARKS	Weight (kgf)	Weight (lb)
010	66001-55110	PLATE,PANEL	1				0.32	0.704
020	66071-41060	BUSH,POST	1				0.02	0.044
030	66071-55120	ASSY SWITCH,MAIN	1				0.11	0.242
040	63413-55760	ASSY KEY,STARTER	1				0.02	0.044
050	55311-41120	SWITCH,LIGHT	1				0.05	0.11
060	67401-99120	ASSY KNOB,LIGHT SW.	1				0.005	0.011
070	66001-55140	SWITCH,PTO	1				0.045	0.099
080	66001-55150	ASSY INDICATOR	1				0.09	0.198
090	66091-55172	ASSY LEVER,THROTTLE	1				0.24	0.528
100	66091-55180	GRIP,LEVER	1				0.015	0.033
110	66001-55160	CABLE,THROTTLE	1				0.075	0.165
120	01754-50612	BOLT,FLANGE	2				0.005	0.011
130	48101-55520	METER,HOUR	1	≤10303			0	0
130	48101-55522	METER,HOUR	1	≥10304	←		0.18	0.396
140	32150-31740	BULB	2				0.003	0.0066
150	34150-34620	BULB	1				0.001	0.0022
160	37150-34630	COMP.SOCKET	1				0.02	0.044
170	37150-34640	COMP.SOCKET	1				0.02	0.044
180	37150-34680	COMP.SOCKET	1				0.015	0.033
190	66071-55130	SCREW	4				0.01	0.022
200	66071-55212	BOX,RELAY	1	≤10003			0.1	0.22
200	66071-55210	RELAY,BOX	1	≥10004	←		0	0
210	01222-50625	BOLT	2				0.007	0.0154
220	01754-50625	BOLT,FLANGE	2				0.008	0.0176
230	66416-55810	ASSY SWITCH,SAFETY	1				0.11	0.242
240	66001-55240	LEVER,PTO SWICH	1	≥50653			0.002	0.0044



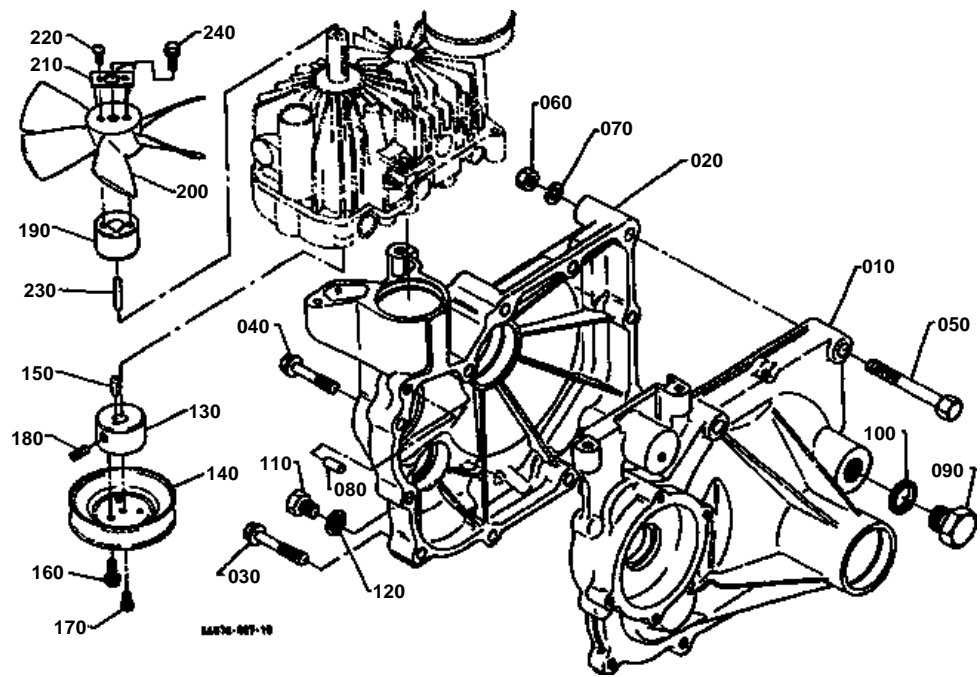
66881-004-10

**WIRE HARNESS**

↔ Interchangeable; ≠ not interchangeable; ← new for old; → old for new

REF.No	Part No.	Description	Q'ty	S.No.	I/C	REMARKS	Weight (kgf)	Weight (lb)
010	66001-55120	WIRE HARNESS	1	<=11366			0	0
010	66001-55130	WIRE HARNESS	1	>=11367	←		0.55	1.21
020	52200-41620	FUSE,AUTO	1			15A	0.003	0.0066
030	48100-55890	FUSE,AUTO	1			20A	0	0
040	67111-55190	RING,FUSIBLE	1				0.005	0.011
050	66071-55160	WIRE HARNESS	1				0.056	0.1232

TRANSMISSION CASE



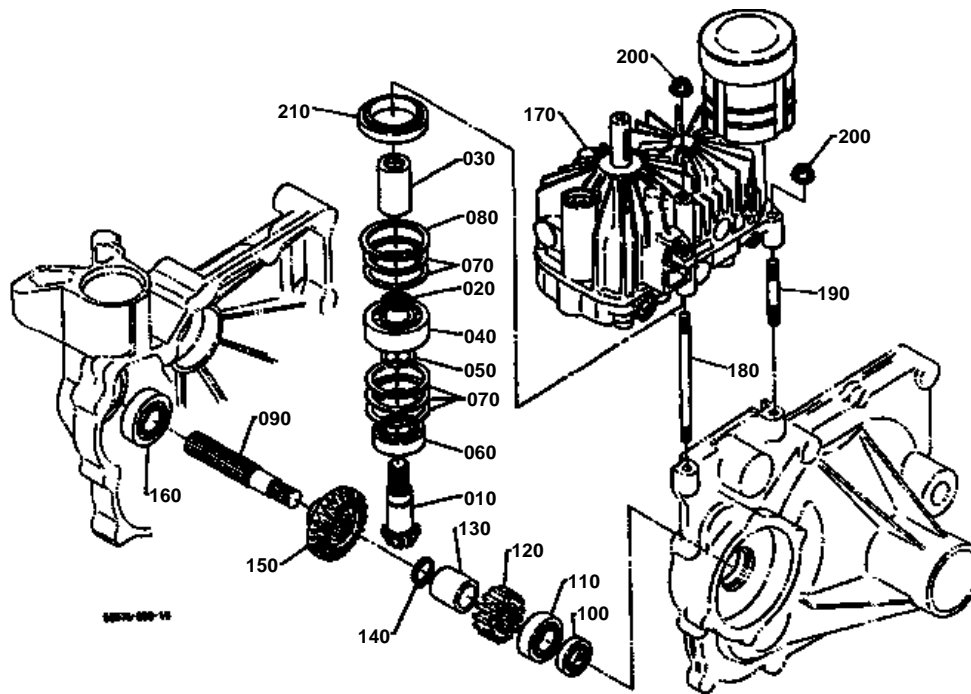


TRANSMISSION CASE
S.No.;<=12023

↔ Interchangeable; ≠ not interchangeable; ← new for old; → old for new

REF.No	Part No.	Description	Q'ty	S.No.	I/C	REMARKS	Weight (kgf)	Weight (lb)
010	66071-11110	CASE,T/M LH	1				1.98	4.356
020	66071-11120	CASE,T/M RH	1				1.8	3.96
030	01754-50845	BOLT,FLANGE	8				0.021	0.0462
040	01754-50870	BOLT,FLANGE	1				0.028	0.0616
050	01173-51002	BOLT	2				0.064	0.1408
060	02118-50100	NUT	2				0.005	0.011
070	04512-50100	WASHER,SPRING	2				0	0
080	05012-00814	PIN,STRAIGHT	2				0.006	0.0132
090	06331-35020	PLUG	1				0.068	0.1496
100	04717-02000	WASHER,WITH RUBBER	1				0.004	0.0088
110	06331-35020	PLUG	1				0.068	0.1496
120	04717-01200	WASHER,WITH RUBBER	1				0.002	0.0044
130	66071-13210	FLANGE	1				0.17	0.374
140	66071-13220	PULLEY	1				0.158	0.3476
150	05712-00518	KEY,FEATHER	1				0.003	0.0066
160	01754-50612	BOLT,FLANGE	3				0.005	0.011
170	01350-10510	BOLT,HEX-SOC-HD	1				0.003	0.0066
180	03650-50612	SCREW,SET	1				0.015	0.033
190	66071-13230	FLANGE	1				0.13	0.286
200	66071-13240	FAN,COOLING	1				0.035	0.077
210	66071-13250	PLATE	1				0.02	0.044
220	03024-50512	SCREW,WITH WASHER	2				0.003	0.0066
230	05712-00530	KEY,FEATHER	1				0.006	0.0132
240	01754-50612	BOLT,FLANGE	1				0.005	0.011

HST/BEVEL GEAR SHAFT

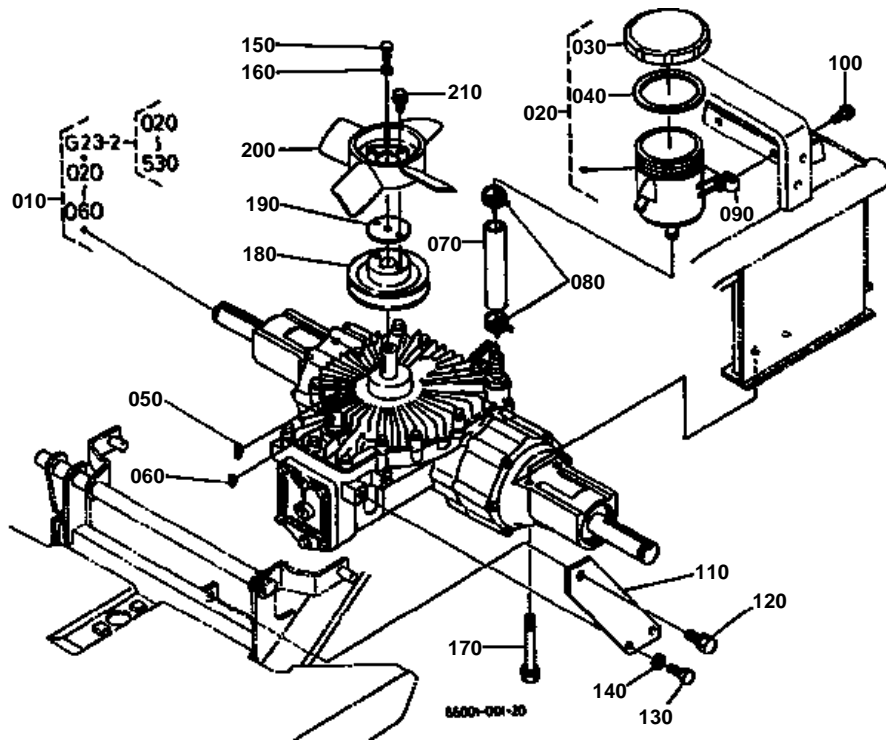




HST/BEVEL GEAR SHAFT
S.No.;<=12023

↔ Interchangeable; ≠ not interchangeable; ← new for old; → old for new

REF.No	Part No.	Description	Q'ty	S.No.	I/C	REMARKS	Weight (kgf)	Weight (lb)
010	66071-14010	SHAFT,BEVEL PINION	1			12T	0.16	0.352
020	04612-00200	CIR CLIP,EXTERNAL	1				0.001	0.0022
030	66071-14020	COUPLING	1				0.11	0.242
040	08101-06304	BEARING,BALL	1				0.146	0.3212
050	66071-14030	COLLAR	1				0.005	0.011
060	67311-14820	BEARING,BALL	1				0.07	0.154
070	66071-14040	SHIM	2			0.8MM	0.004	0.0088
070	66071-14050	SHIM	1			0.2MM	0.002	0.0044
070	66071-14060	SHIM	2			1.2MM	0.006	0.0132
080	04611-00520	CIR CLIP,INTERNAL	1				0.009	0.0198
090	66071-14310	SHAFT	1				0.21	0.462
100	09500-17328	SEAL,OIL	1				0.008	0.0176
110	08101-06203	BEARING,BALL	1				0.063	0.1386
120	66071-14320	GEAR	1			15T	0.12	0.264
130	66071-14330	COLLAR	1				0.006	0.0132
140	04612-00190	CIR CLIP,EXTERNAL	1				0.001	0.0022
150	66071-14340	GEAR,BEVEL	1			27T	0.18	0.396
160	08101-06005	BEARING,BALL	1				0.08	0.176
170	66071-36013	ASSY HST	1				7	15.4
180	66071-36020	STUD	2				0.046	0.1012
190	01518-50835	STUD	2				0.017	0.0374
200	02751-50080	NUT,FLANGE	4				0.006	0.0132
210	66071-36030	COLLAR	1				0.08	0.176

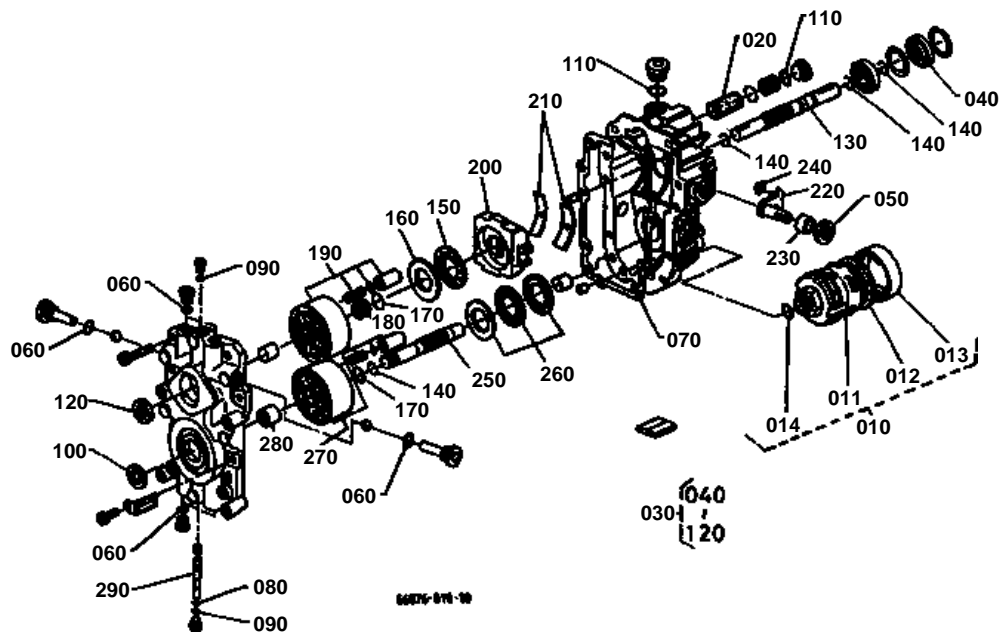




HST
S.No.;>=50001

↔ Interchangeable; ≠ not interchangeable; ← new for old; → old for new

REF.No	Part No.	Description	Q'ty	S.No.	I/C	REMARKS	Weight (kgf)	Weight (lb)
010	66071-15100	ASSY AXLE,TRANS	1				23	50.6
020	66071-15120	ASSY TANK,HYDRAULIC	1				0.12	0.264
030	66091-81120	COVER,OIL TANK	1				0.035	0.077
040	66091-81130	GASKET,COVER	1				0.005	0.011
050	66091-11140	KEY,SHAFT	1				0.015	0.033
060	66091-11150	KEY,CONTROL SHAFT	1				0.005	0.011
070	66071-15130	HOSE,HYD.TANK	1				0.045	0.099
080	09318-88230	CLAMP,HOSE	2				0.008	0.0176
090	38240-29250	NUT,SPRING	2				0.005	0.011
100	01025-50616	BOLT	2				0.005	0.011
110	66071-15310	PLATE,HST	1				0.186	0.4092
120	01133-51020	BOLT	1				0.02	0.044
130	01041-52516	BOLT	2				0.02	0.044
140	04512-50080	WASHER,SPRING	4				0	0
150	66021-36052	BOLT	1				0.006	0.0132
160	04512-50060	WASHER,SPRING	1				0	0
170	01133-51075	BOLT	4				0.03	0.066
180	66071-52530	PULLEY HST	1				0.49	1.078
190	66071-52550	WASHER,HST PULLEY	1				0.058	0.1276
200	66071-15170	FAN	1				0.16	0.352
210	01025-50616	BOLT	2				0.005	0.011

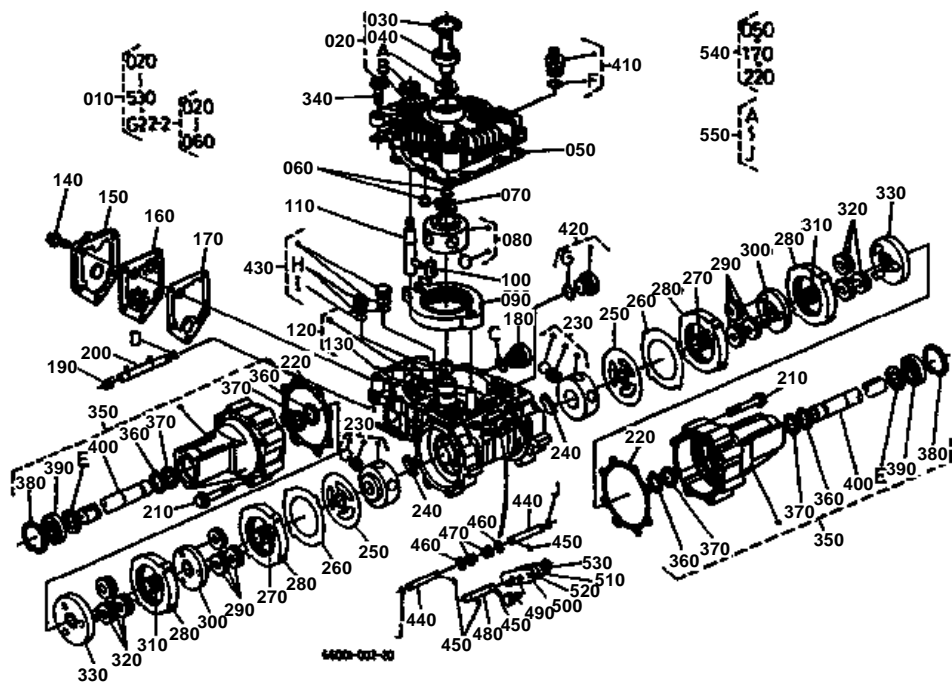




HST [COMPONENT PARTS]
S.No.;<=12023

↔ Interchangeable; ≠ not interchangeable; ← new for old; → old for new

REF.No	Part No.	Description	Q'ty	S.No.	I/C	REMARKS	Weight (kgf)	Weight (lb)
010	66071-83612	TANK ASSY	1				0.07	0.154
011	66071-83620	TANK	1				0.025	0.055
012	66071-83630	DIAPHRAGM	1				0.01	0.022
013	66071-83640	CAP	1				0.01	0.022
014	66071-83650	O RING	1				0.003	0.0066
020	66071-83680	FILTER	1				0.01	0.022
030	66071-83700	KIT,SEAL	1				0.046	0.1012
040	66071-83710	SEAL,OIL	1				0.005	0.011
050	66071-83720	SEAL,OIL	1				0.005	0.011
060	66071-83730	O RING	6				0.001	0.0022
070	66071-83740	GASKET	1				0.01	0.022
080	66071-83750	O RING	1				0.001	0.0022
090	66071-83760	O RING	2				0.001	0.0022
100	66071-83770	SEAL,OIL	1				0.005	0.011
110	66071-83780	O RING	2				0.001	0.0022
120	66071-83790	SEAL,OIL	1				0.005	0.011
130	66071-36110	SHAFT,PUMP	1				0.2	0.44
140	66071-36120	CLIP	4				0.001	0.0022
150	66071-36130	BRG,THRUST ROLLER	1				0.025	0.055
160	66071-36140	COLLAR,THRUST	1				0.035	0.077
170	66071-36150	WASHER,SHAFT	2				0.006	0.0132
180	66071-36160	SPRING	1				0.005	0.011
190	66071-36170	ASSY CYLINDER	1				0.55	1.21
200	66071-36210	ASSY SWASHPLATE	1				0.26	0.572
210	66071-36220	BEARING,CRADLE	2				0.01	0.022
220	66071-36230	ARM,TRUNNION	1				0.055	0.121
230	66071-36240	BEARING,JOURNAL	1				0.014	0.0308
240	66071-36250	GUIDE,SLOT	1				0.005	0.011
250	66071-36310	SHAFT,MOTOR	1				0.14	0.308
260	66071-36320	BEARING,THRUST BALL	1				0.062	0.1364
270	66071-36330	ASSY,CYLINDER BLOCK	1				0.55	1.21
280	66071-36340	BEARING,NEEDLE	1				0.015	0.033
290	66071-36420	SPOOL	1				0.015	0.033



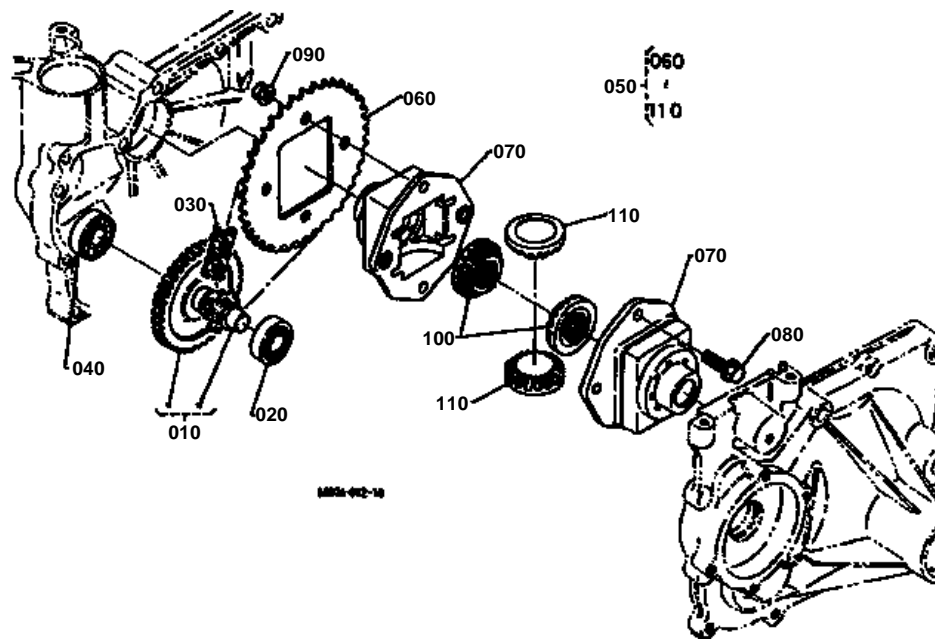


HST [COMPONENT PARTS]
S.No.;>=50001

↔ Interchangeable; ≠ not interchangeable; ← new for old; → old for new

REF.No	Part No.	Description	Q'ty	S.No.	I/C	REMARKS	Weight (kgf)	Weight (lb)
010	66071-15100	ASSY TRANS.AXLE	1				23	50.6
020	66071-81310	ASSY COVER	1				1.04	2.288
030	66091-81330	CIR CLIP,INTERNAL	1				0.005	0.011
040	66071-81320	ASSY SHAFT,INPUT	1				0.18	0.396
050	66091-81170	GASKET,COVER	1				0.007	0.0154
060	66091-81560	BUTTON	2				0.008	0.0176
070	66091-81720	COUPLING	1				0.03	0.066
080	66091-81450	ASSY PUMP	1				0.78	1.716
090	66091-81460	RING, CAM	1				1.02	2.244
100	66091-81470	PIN,CAM RING	1				0.026	0.0572
110	66091-81480	SHAFT,CONTROL	1				0.16	0.352
120	66071-81350	CASE,HOUSING	1				5.46	12.012
130	66091-81370	BEARING,NEEDLE	1				0.005	0.011
140	66091-81570	BOLT	5				0.009	0.0198
150	66071-81360	COVER,VALVE	1				0.16	0.352
160	66071-81370	FILTER	1				0.027	0.0594
170	66071-81380	GASKET,COVER	1				0.002	0.0044
180	66091-81490	NUT	1				0.015	0.033
190	66091-81520	SPRING	1				0.003	0.0066
200	66091-81530	BRACKET	1				0.037	0.0814
210	66071-81390	BOLT	16				0.017	0.0374
220	66071-81410	GASKET,HOUSING	2				0.002	0.0044
230	66091-81730	ASSY MOTOR	2				0.82	1.804
240	66071-81420	PAD,FRICITION	2				0.024	0.0528
250	66071-81430	PLATE,REACTION	2				0.075	0.165
260	66071-81440	PLATE,BACK UP	2				0.082	0.1804
270	66071-81450	GEAR,SUN 1ST	2			18T	0.098	0.2156
280	66071-81460	GEAR,RING	4			54T	0.385	0.847
290	66071-81470	GEAR,PLANET 1ST	6			18T	0.057	0.1254
300	66071-81480	CARRIER 1ST	2				0.32	0.704
310	66071-81490	GEAR,SUN 2ND	2			18T	0.075	0.165
320	66071-81510	GEAR,PLANET 2ND	6			18T	0.047	0.1034
330	66071-81520	CARRIER 2ND	2				0.64	1.408
340	66091-81680	BOLT	13				0.008	0.0176
350	66071-81530	ASSY CASE,AXLE	2				2.3	5.06
360	66091-81650	CIR CLIP,EXTERNAL	4				0.004	0.0088
370	66091-81660	COLLAR,THRUST	4				0.008	0.0176
380	66091-81620	CIR CLIP,INTERNAL	2				0.008	0.0176
390	66091-81640	BEARING,BALL	2				0.126	0.2772
400	66071-81560	SHAFT,AXLE	2				0.86	1.892
410	66071-81570	JOINT,PIPE	1				0.008	0.0176
420	66071-81580	PLUG	1				0.068	0.1496
430	66091-81380	ASSY PISTON	2				0.02	0.044
440	66071-81610	ROD,PUSH	2				0.038	0.0836
450	66071-81620	CIR-CLIP,EXTERNAL	4				0.001	0.0022
460	66071-81630	BASE,SPRING	2				0.002	0.0044
470	66071-81640	SPRING	2				0.004	0.0088
480	66071-81650	SHAFT,BRAKE	1				0.045	0.099
490	66071-81660	CAP,BOLT	1				0.006	0.0132
500	66071-81670	LEVER,BRAKE RH	1				0.023	0.0506
510	66071-81680	LEVER,BRAKE LH	1				0.057	0.1254
520	66071-81690	SHIM	1				0.01	0.022
530	66071-81710	NUT	1				0.004	0.0088
540	66071-81720	KIT,GASKET	1			OPTION	0.02	0.044
550	66071-81730	KIT,SEAL	1			OPTION	0.032	0.0704

DIFFERENTIAL CASE



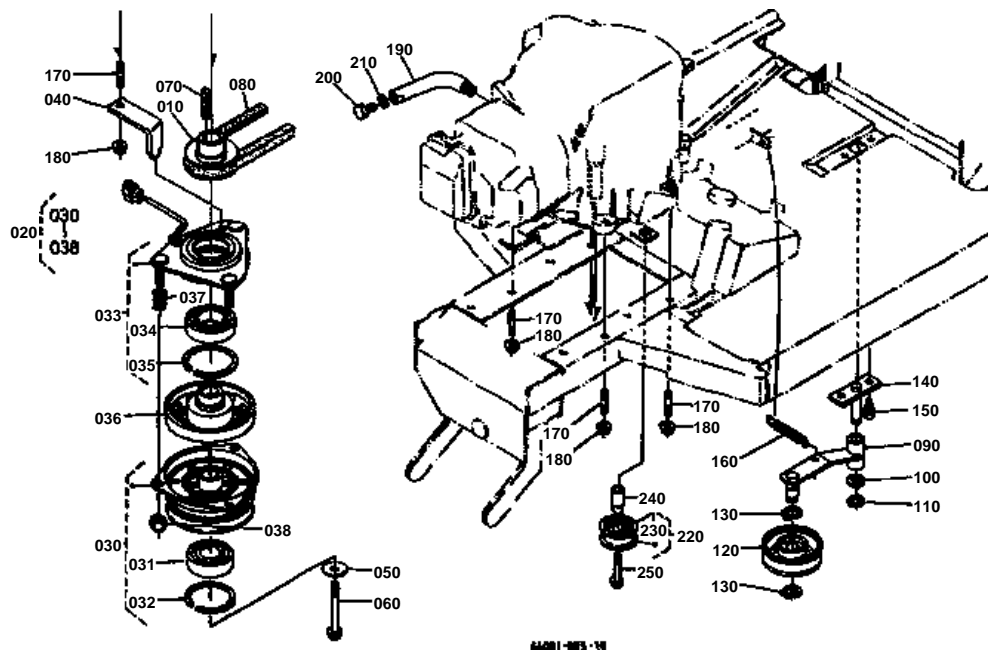


DIFFERENTIAL CASE
S.No.;<=12023

↔ Interchangeable; ≠ not interchangeable; ← new for old; → old for new

REF.No	Part No.	Description	Q'ty	S.No.	I/C	REMARKS	Weight (kgf)	Weight (lb)
010	66071-14410	SHAFT	1			9-38T	1	2.2
020	67211-14220	BEARING,BALL	1				0.07	0.154
030	66071-14440	CHAIN	1				0.42	0.924
040	08101-06302	BEARING,BALL	1				0.084	0.1848
050	66071-14900	ASSY DIFFERENTIAL	1				2.1	4.62
060	66071-14910	SPROCKET	1				0.61	1.342
070	66071-14920	CASE,DIFFERENTIAL	2				0.325	0.715
080	01774-51030	BOLT,FLANGE	4				0.02	0.044
090	02771-50100	NUT,FLANGE	4				0	0
100	66071-14930	GEAR,DIFF.SIDE	2			20T	0.14	0.308
110	66071-14940	GEAR,DIFF.SIDE	2			20T	0.18	0.396

ELECTROMAGNETIC CLUTCH



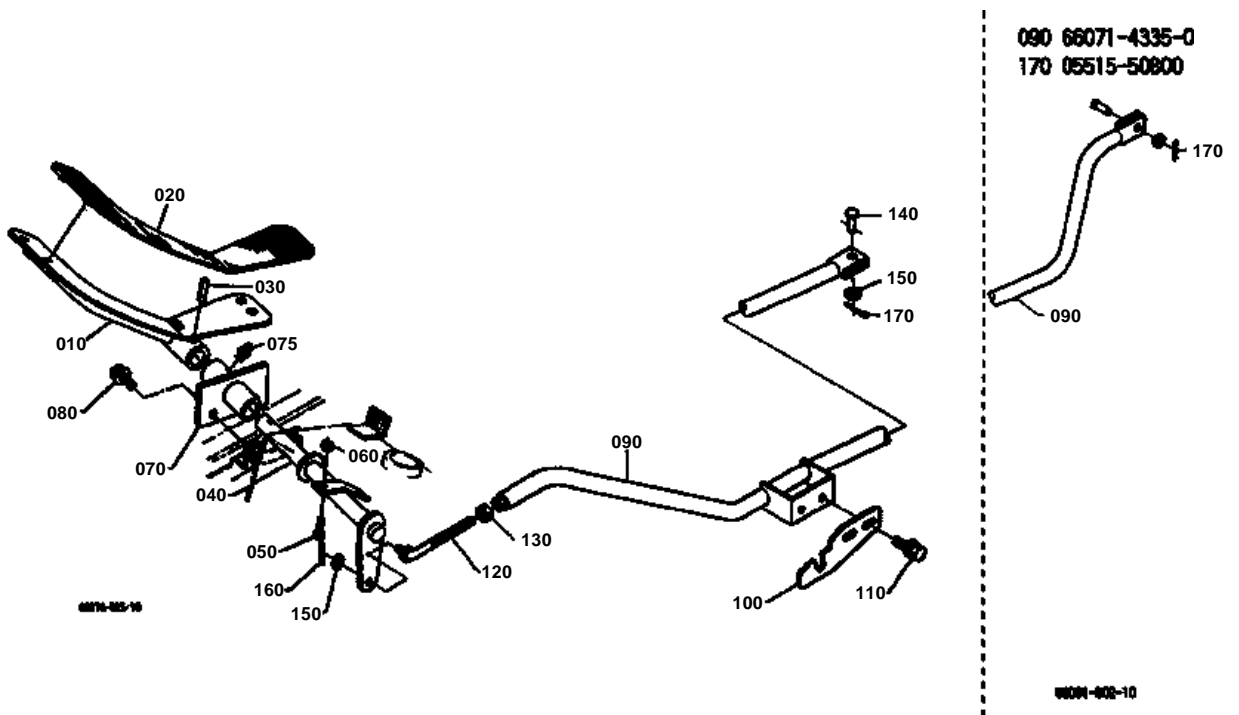


ELECTROMAGNETIC CLUTCH

↔ Interchangeable; ≠ not interchangeable; ← new for old; → old for new

REF.No	Part No.	Description	Q'ty	S.No.	I/C	REMARKS	Weight (kgf)	Weight (lb)
010	66001-51510	PULLEY,ENGINE	1	<=12023			0.445	0.979
010	66001-52510	PULLEY,ENGINE	1	>=50001	≠		0.55	1.21
020	66001-51560	CLUTCH	1				4.7	10.34
030	66001-05110	ARMATURE	1				1.8	3.96
031	66001-05160	BEARING,BALL	1				0.2	0.44
032	66001-05170	CIR CLIP,INTERNAL	1				0.01	0.022
033	66001-05120	COIL,FILD	1				1.7	3.74
034	66001-05180	BEARING,BALL	1				0.1	0.22
035	66001-05170	CIR CLIP,INTERNAL	1				0.01	0.022
036	66001-05130	ROTOR	1				1.1	2.42
037	66001-05140	SPRING	3				0.004	0.0088
038	66001-05150	NUT	3				0.008	0.0176
040	66001-51550	PLATE,STOPPER	1	<=12023			0	0
040	66001-51552	PLATE,STOPPER	1	>=50001	←		0.19	0.418
050	66001-51540	SPRING,PLATE	1				0.035	0.077
060	01754-51090	BOLT,FLANGE	1				0.05	0.11
070	66071-51530	KEY	1				0.016	0.0352
080	53961-71162	BELT	1	<=12023			0.29	0.638
080	66001-52560	BELT,V	1	>=50001	≠		0.38	0.836
090	66071-51550	ARM,TENSION	1				0.335	0.737
100	66071-51560	WASHER	1				0.005	0.011
110	04612-00160	CIR CLIP,EXTERNAL	1				0.001	0.0022
120	66071-51570	PULLEY,TENSION	1				0.15	0.33
130	04612-00170	CIR CLIP,EXTERNAL	2				0.001	0.0022
140	66071-51620	SUPPORT,TENSION ARM	1				0.171	0.3762
150	01123-50814	BOLT	2				0	0
160	66071-51640	SPRING	1				0.03	0.066
170	01513-50822	STUD	4				0.01	0.022
180	02121-50080	NUT	4				0.01	0.022
190	66001-66150	JOINT,ELBOW PIPE	1				0.22	0.484
200	01173-51220	BOLT	1	<=10766			0.03	0.066
200	06331-35012	PLUG	1	>=10767	↔		0.022	0.0484
210	04717-01200	WASHER,WITH RUBBER	1				0.002	0.0044
220	66071-52580	COMP PULLEY,IDLER	1	>=50001			0.2	0.44
230	66071-52590	BEARING,BALL	1	>=50001			0.11	0.242
240	66071-52520	SHAFT,IDLER PULLEY	1	>=50001			0.057	0.1254
250	01135-51060	BOLT	1	>=50001			0.045	0.099

SPEED CHANGE PEDAL



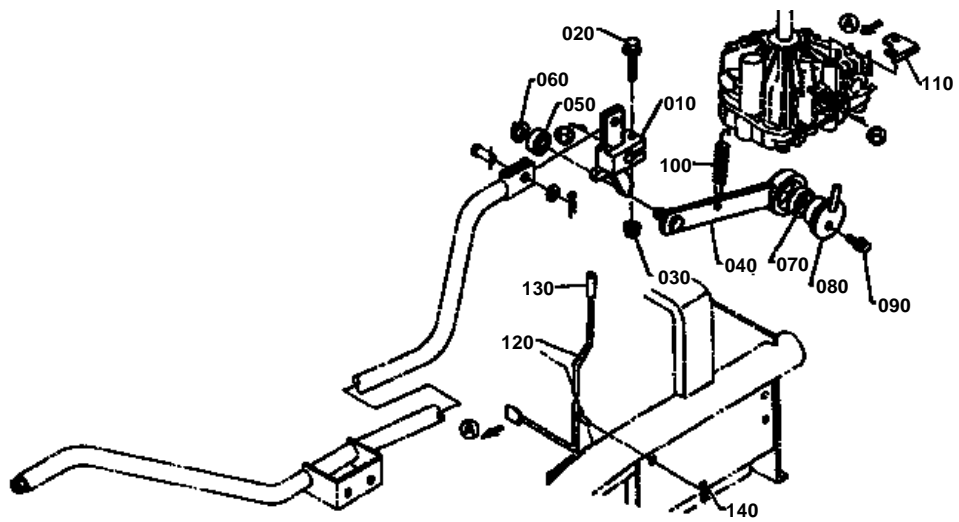


SPEED CHANGE PEDAL

↔ Interchangeable; ≠ not interchangeable; ← new for old; → old for new

REF.No	Part No.	Description	Q'ty	S.No.	I/C	REMARKS	Weight (kgf)	Weight (lb)
010	66071-43520	PEDAL,SPEED CHANGE	1				0.6	1.32
020	66071-43530	COVER,PEDAL	1				0.04	0.088
030	05411-00630	PIN,SPRING	1				0.004	0.0088
040	66071-43336	SHAFT,PEDAL	1				0.4	0.88
050	01155-50835	BOLT	2				0	0
060	02114-50080	NUT	2				0.005	0.011
070	66071-43512	HOLDER,PEDAL	1				0.3	0.66
075	67211-42940	NIPPLE,GREASE	1				0.001	0.0022
080	01754-50816	BOLT,FLANGE	2				0.011	0.0242
090	66071-43350	ROD,SPEED CHANGE	1	≤12023			0.7	1.54
090	66071-48110	ROD,SHIFT	1	≥50001	≠		0.5	1.1
100	66071-43430	PLATE,LOCK	1				0.055	0.121
110	01025-50616	BOLT	2				0.005	0.011
120	66071-43360	ROD,SPEED CHANGE	1				0.035	0.077
130	02114-50080	NUT	1				0.005	0.011
140	05122-50818	PIN,JOINT	1				0.008	0.0176
150	04013-50080	WASHER,PLAIN	2				0	0
160	05511-50320	PIN,SPLIT	1				0.002	0.0044
170	05515-50800	PIN,SNAP	1	≤12023			0	0
170	05511-50218	PIN,SPLIT	1	≥50001	≠		0.001	0.0022

SPEED CHANGE ARM



6874-25-12

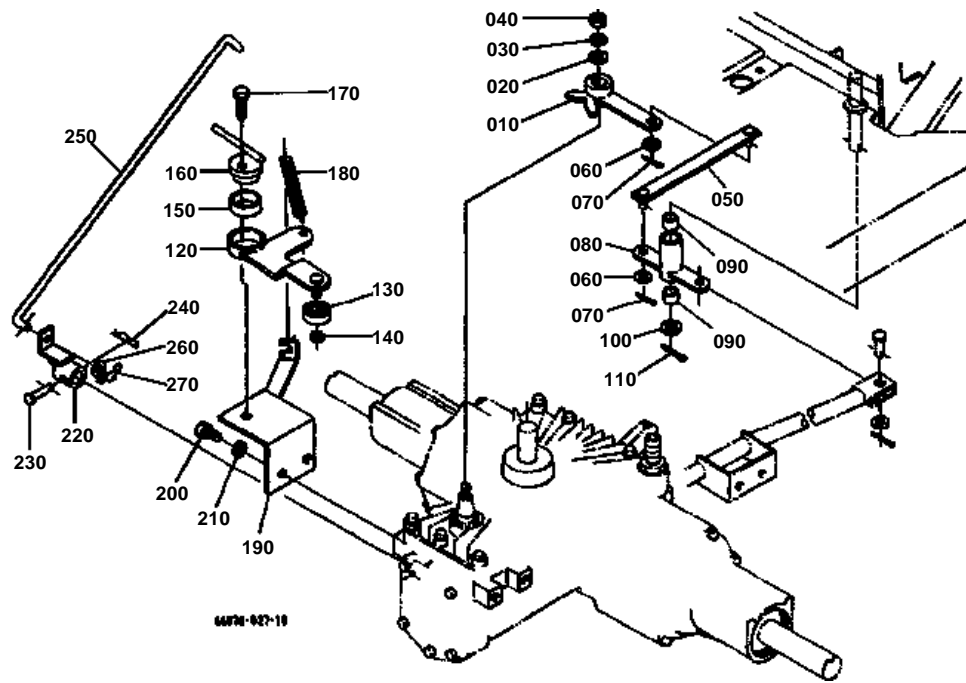


SPEED CHANGE ARM
S.No.;<=12023

↔ Interchangeable; ≠ not interchangeable; ← new for old; → old for new

REF.No	Part No.	Description	Q'ty	S.No.	I/C	REMARKS	Weight (kgf)	Weight (lb)
010	66071-43370	ARM,SPEED CHANGE	1				0.132	0.2904
020	01754-50630	BOLT,FLANGE	1				0.01	0.022
030	02751-50060	NUT,FLANGE	1				0.005	0.011
040	66071-43380	ARM,NEUTRAL	1				0.157	0.3454
050	08121-06000	BEARING,BALL	1				0.02	0.044
060	04612-00100	CIR CLIP,EXTERNAL	1				0.001	0.0022
070	66204-43572	BUSH	1				0.003	0.0066
080	66071-43390	SHAFT,HOLDER	1				0.08	0.176
090	01123-50830	BOLT	1				0.015	0.033
100	66071-43440	SPRING	1				0.017	0.0374
110	66071-43410	HOLDER,SPRING	1				0.036	0.0792
120	66071-43420	LEVER,BYPATH	1				0.15	0.33
130	66071-43480	BUTTON	1				0.042	0.0924
140	05511-50318	PIN,SPLIT	1				0.001	0.0022

SPEED CHANGE ARM



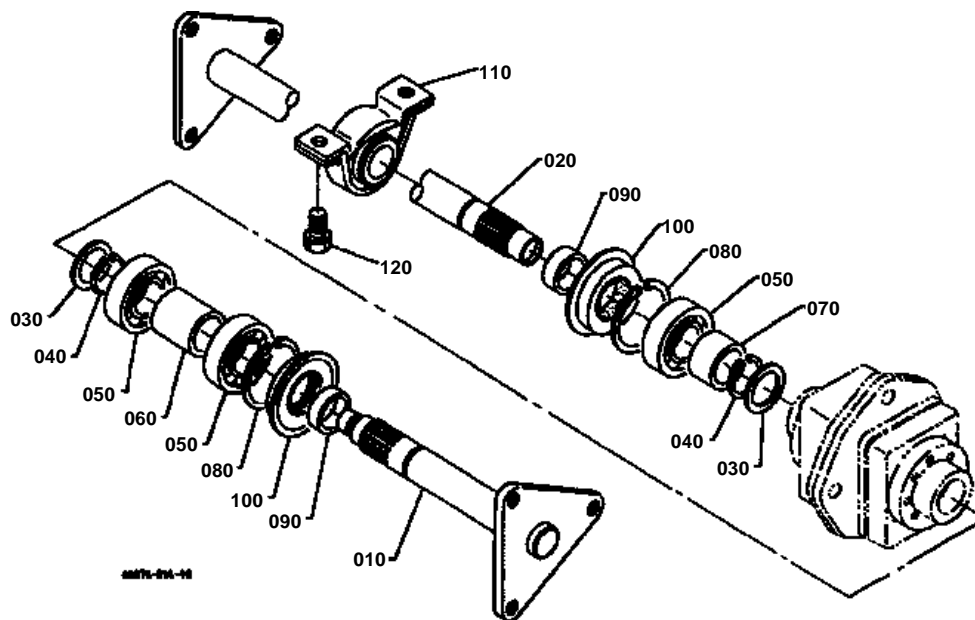


SPEED CHANGE ARM
S.No.;>=50001

↔ Interchangeable; ≠ not interchangeable; ← new for old; → old for new

REF.No	Part No.	Description	Q'ty	S.No.	I/C	REMARKS	Weight (kgf)	Weight (lb)
010	66071-48140	ARM,SHIFT	1				0.16	0.352
020	04013-50100	WASHER,PLAIN	1				0	0
030	04512-50100	WASHER,SPRING	1				0	0
040	02044-50300	NUT	1				0.012	0.0264
050	66071-48130	ROD,SHIFT	1				0.106	0.2332
060	04013-50080	WASHER,PLAIN	2				0	0
070	05511-50218	PIN,SPLIT	2				0.001	0.0022
080	66071-48120	LEVER,CHANGE	1				0.14	0.308
090	08511-01212	BUSH	2				0.005	0.011
100	04013-50120	WASHER,PLAIN	1				0	0
110	05511-50420	PIN,SPLIT	1				0.002	0.0044
120	66071-48220	ARM,NEUTRAL	1				0.2	0.44
130	08121-06000	BEARING,BALL	1				0.02	0.044
140	04612-00100	CIR CLIP,EXTERNAL	1				0.001	0.0022
150	66204-43572	BUSH	1				0.003	0.0066
160	66091-43440	SHAFT,HOLDER	1				0.05	0.11
170	01123-50830	BOLT	1				0.015	0.033
180	66021-43430	SPRING	1				0.023	0.0506
190	66071-48210	BRACKET,NEUTRAL	1				0.29	0.638
200	01041-52516	BOLT	2				0.02	0.044
210	04512-50080	WASHER,SPRING	2				0	0
220	66071-48610	ARM,BYPATH	1				0.056	0.1232
230	05122-50628	PIN,JOINT	1				0.006	0.0132
240	05525-50600	PIN,SNAP	1				0	0
250	66071-48620	ROD,BYPATH	1				0.1	0.22
260	04013-50060	WASHER,PLAIN	1				0	0
270	05525-50600	PIN,SNAP	1				0	0

REAR AXLE FLANGE



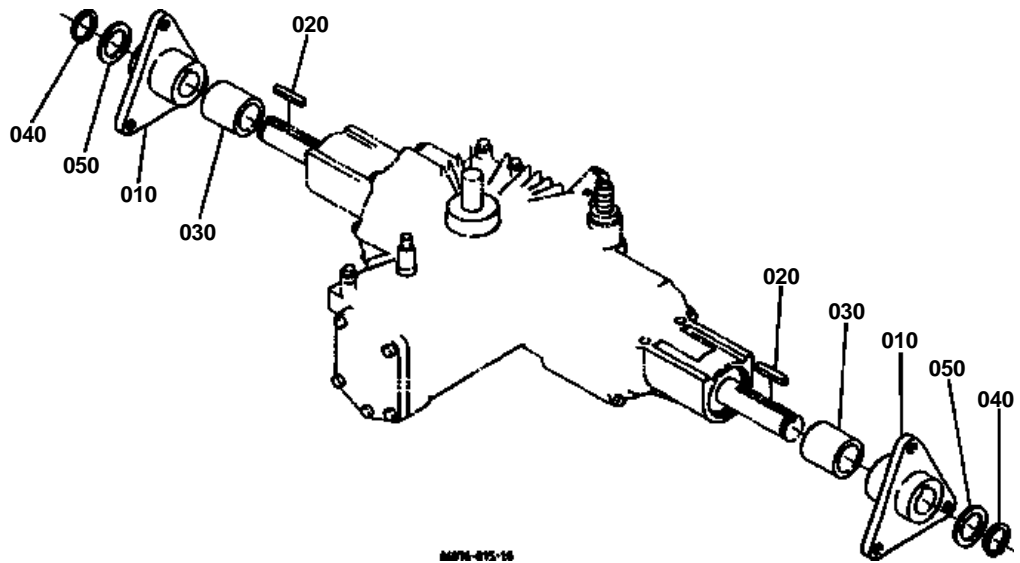


REAR AXLE FLANGE
S.No.;<=12023

↔ Interchangeable; ≠ not interchangeable; ← new for old; → old for new

REF.No	Part No.	Description	Q'ty	S.No.	I/C	REMARKS	Weight (kgf)	Weight (lb)
010	66071-17110	AXLE,REAR LH	1				1	2.2
020	66071-17120	AXLE,REAR RH	1				2.02	4.444
030	66071-17130	WASHER	2				0.005	0.011
040	04612-00250	CIR CLIP,EXTERNAL	2				0.002	0.0044
050	08101-06205	BEARING,BALL	3				0.14	0.308
060	66071-17140	COLLAR	1				0.11	0.242
070	66071-17150	COLLAR	1				0.054	0.1188
080	04611-00520	CIR CLIP,INTERNAL	2				0.009	0.0198
090	63154-31380	SLEEVE	2				0.03	0.066
100	63733-17150	SEAL,OIL	2				0.04	0.088
110	66071-17170	BEARING,PILLOW	1				0.306	0.6732
120	01133-51020	BOLT	2				0.02	0.044

REAR AXLE FLANGE



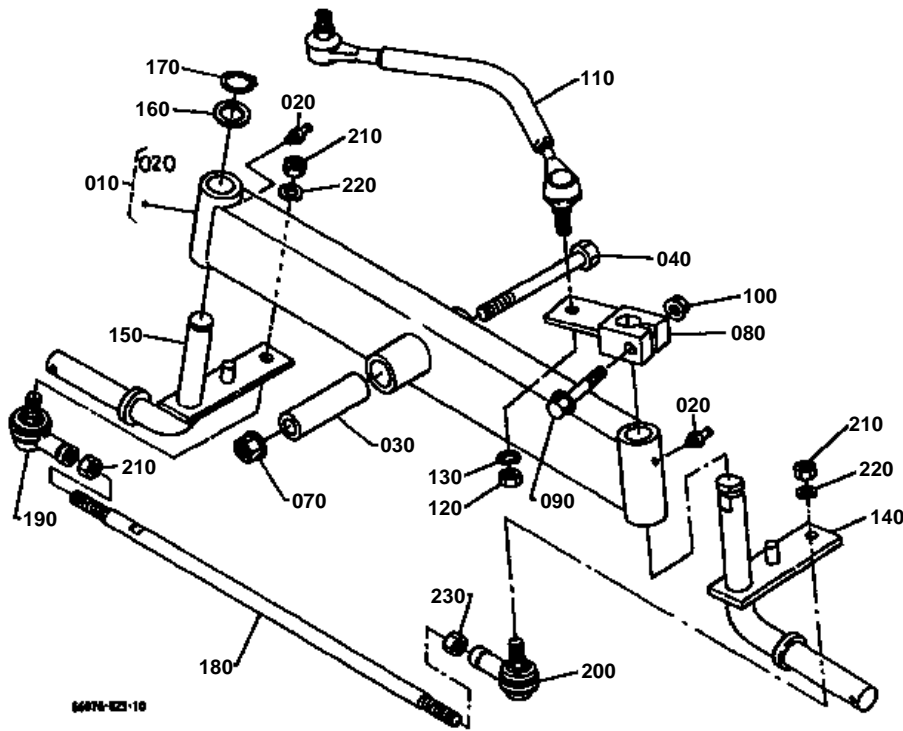


REAR AXLE FLANGE
S.No.;>=50001

↔ Interchangeable; ≠ not interchangeable; ← new for old; → old for new

REF.No	Part No.	Description	Q'ty	S.No.	I/C	REMARKS	Weight (kgf)	Weight (lb)
010	66001-18110	FLANGE,WHEEL	2				0.7	1.54
020	66071-51530	KEY	2				0.016	0.0352
030	66071-18120	COLLAR,WHEEL	2				0.132	0.2904
040	66071-18130	CIR CLIP,EXTERNAL	2				0.001	0.0022
050	12681-23620	SHIM,CRANKSHAFT	2			0.5MM	0.002	0.0044
050	12681-23660	SHIM,CRANKSHAFT	2			1.0MM	0.01	0.022
050	67820-64230	COLLAR	2			3.0MM	0.008	0.0176
050	41272-15120	COLLAR,SHAFT	2			2.0MM	0.01	0.022

FRONT AXLE



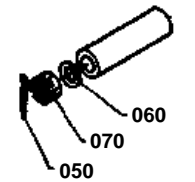
040 66071-5618-0



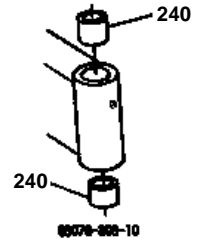
060 05511-50325

060 04013-50120

070 02374-50120



240 58511-2812-0

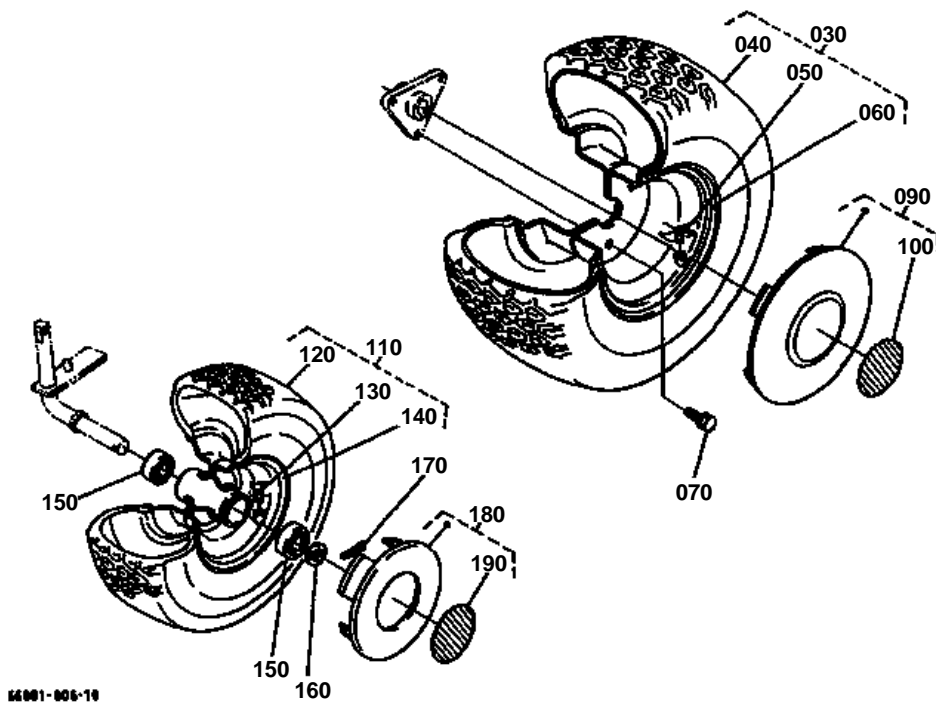




FRONT AXLE

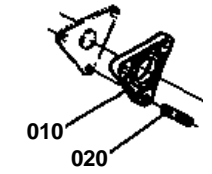
↔ Interchangeable; ≠ not interchangeable; ← new for old; → old for new

REF.No	Part No.	Description	Q'ty	S.No.	I/C	REMARKS	Weight (kgf)	Weight (lb)
010	66071-56110	COMP.AXLE,FRONT	1	≤12023			2.4	5.28
010	66071-56115	COMP.AXLE,FRONT	1	≥50001	→		2.5	5.5
020	06613-10675	NIPPLE,GREASE	2				0.003	0.0066
030	66071-56120	COLLAR	1				0.18	0.396
040	66071-56180	BOLT	1	≤12023			0.103	0.2266
040	01173-51202	BOLT	1	≥50001	→		0.101	0.2222
050	05511-50325	PIN,SPLIT	1	≤12023			0.002	0.0044
060	04013-50120	WASHER,PLAIN	1	≤12023			0	0
070	02374-50120	NUT	1	≤12023			0.013	0.0286
070	50140-63590	NUT	1	≥50001	≠		0.02	0.044
080	66071-56130	ARM,KNUCKLE	1				0.2	0.44
090	01754-50845	BOLT,FLANGE	1				0.021	0.0462
100	02751-50080	NUT,FLANGE	1				0.006	0.0132
110	66071-56140	COMP LINK,DRAG	1				0.62	1.364
120	02118-50100	NUT	2				0.005	0.011
130	04512-50100	WASHER,SPRING	2				0	0
140	66001-56150	KINGPIN,LH	1				0.9	1.98
150	66001-56160	KINGPIN,RH	1				0.9	1.98
160	66021-41140	WASHER	1				0.007	0.0154
170	04612-00200	CIR CLIP,EXTERNAL	1				0.001	0.0022
180	66071-56170	ROD,TIE	1				0.35	0.77
190	66021-56210	END,ROD RH	1				0.055	0.121
200	66021-56220	END,ROD LH	1				0.11	0.242
210	02118-50100	NUT	3				0.005	0.011
220	04512-50100	WASHER,SPRING	2				0	0
230	55311-31550	NUT	1				0.007	0.0154
240	58511-28120	BUSH	4	≤12023			0.008	0.0176

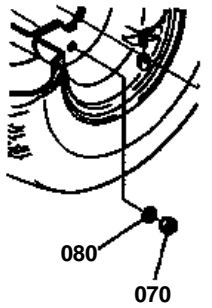


66001-005-10

010 66001-1713-0
020 01517-51035



070 02176-50100
080 04512-50100



66001-005-10

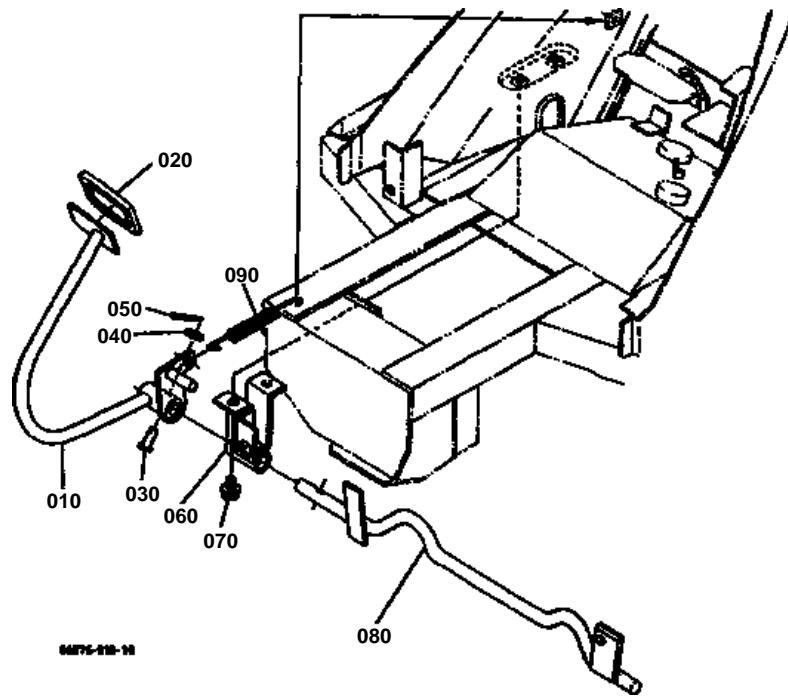


REAR WHEEL (20 X 10.00-8) / FRONT WHEEL (15 X 6.00-6)

↔ Interchangeable; ≠ not interchangeable; ← new for old; → old for new

REF.No	Part No.	Description	Q'ty	S.No.	I/C	REMARKS	Weight (kgf)	Weight (lb)
010	66001-17130	SPACER	2	<=12023			0.15	0.33
020	01517-51035	STUD	6	<=12023			0.028	0.0616
030	66091-17410	ASSY TIRE	2			[A] RESERVED BY KTC	0	0
030	66092-17410	ASSY TIRE	2			[CA],[AU],[NZ]	8.3	18.26
040	66091-17420	TIRE	2			[A] RESERVED BY KTC	0	0
040	66092-17420	TIRE	2			[CA],[AU],[NZ]	5.5	12.1
050	66091-17430	ASSY VALVE	2			[A] RESERVED BY KTC	0	0
050	66071-17430	ASSY VALVE	2			[CA],[AU],[NZ]	0.01	0.022
060	66091-17440	WHEEL	2			[A] RESERVED BY KTC	0	0
060	66071-17440	WHEEL	2			[CA],[AU],[NZ]	2.6	5.72
070	02176-50100	NUT	6	<=12023			0.005	0.011
070	01133-51018	BOLT	6	>=50001	≠		0.02	0.044
080	04512-50100	WASHER,SPRING	6	<=12023			0	0
090	66190-56470	CAP,WHEEL	2			[A] RESERVED BY KTC	0.2	0.44
090	66071-17463	CAP,WHEEL REAR	2			[CA],[AU],[NZ]	0.21	0.462
100	66190-17480	LABEL	2				0.005	0.011
110	66091-56400	ASSY TIRE	2			[A] RESERVED BY KTC	0	0
110	66092-56400	ASSY TIRE	2			[CA],[AU],[NZ]	3.8	8.36
120	66091-56410	TIRE	2			[A] RESERVED BY KTC	0	0
120	66092-56410	TIRE	2			[CA],[AU],[NZ]	2	4.4
130	66091-17430	ASSY VALVE	2			[A] RESERVED BY KTC	0	0
130	66071-17430	ASSY VALVE	2			[CA],[AU],[NZ]	0.01	0.022
140	66091-56430	WHEEL	2			[A]	0	0
140	66092-56430	WHEEL	2			[CA],[AU],[NZ]	1.28	2.816
150	08141-06004	BEARING,BALL	4			[CA],[AU],[NZ]	0.064	0.1408
160	66071-56490	WASHER	2				0.005	0.011
170	05511-50530	PIN,SPLIT	2				0.006	0.0132
180	66091-56472	CAP,WHEEL	2			[A]	0.11	0.242
180	66071-56473	CAP,WHEEL FRONT	2			[CA],[AU],[NZ]	0.11	0.242
190	66190-17480	LABEL	2				0.005	0.011

BRAKE PEDAL



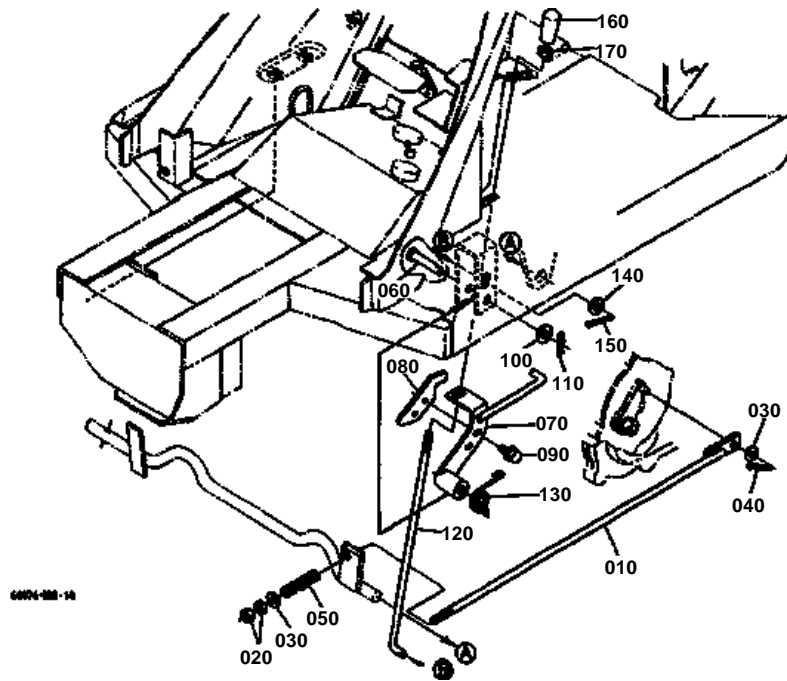


BRAKE PEDAL

↔ Interchangeable; ≠ not interchangeable; ← new for old; → old for new

REF.No	Part No.	Description	Q'ty	S.No.	I/C	REMARKS	Weight (kgf)	Weight (lb)
010	66071-42770	PEDAL,BRAKE	1				1.11	2.442
020	66021-42830	COVER,PEDAL	1				0.025	0.055
030	05112-50630	PIN,JOINT	1				0.007	0.0154
040	04012-50060	WASHER,PLAIN	1				0.001	0.0022
050	05511-51615	PIN,SPLIT	1				0.001	0.0022
060	66071-42720	SUPPORT,PEDAL SHAFT	1				0.42	0.924
070	01754-50812	BOLT,FLANGE	2				0.01	0.022
080	66071-42782	SHAFT,BRAKE	1				1.1	2.42
090	67111-44670	SPRING	1				0.04	0.088

BRAKE ROD



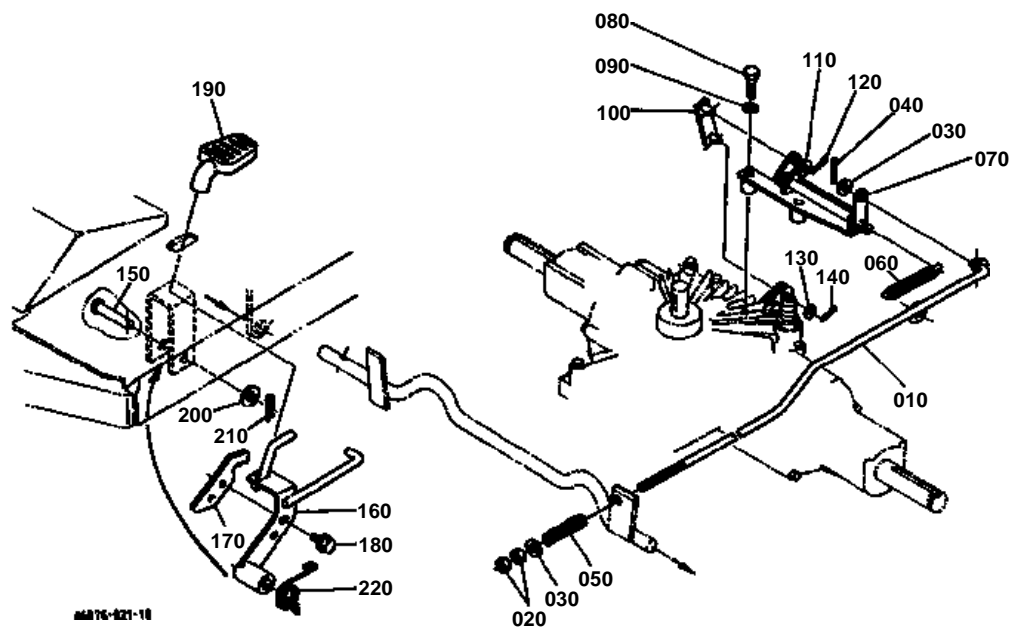


BRAKE ROD
S.No.;<=12023

↔ Interchangeable; ≠ not interchangeable; ← new for old; → old for new

REF.No	Part No.	Description	Q'ty	S.No.	I/C	REMARKS	Weight (kgf)	Weight (lb)
010	66001-42740	ROD,BRAKE	1				0.2	0.44
020	02156-50080	NUT	2				0.004	0.0088
030	04013-50080	WASHER,PLAIN	2				0	0
040	05511-50218	PIN,SPLIT	1				0.001	0.0022
050	66021-42850	SPRING	1				0.03	0.066
060	05112-51055	PIN,JOINT	1				0.032	0.0704
070	66071-42925	LOCK,BRAKE	1				0.25	0.55
080	66071-42760	LOCK,BRAKE	1				0.05	0.11
090	01754-50612	BOLT,FLANGE	2				0.005	0.011
100	04013-50100	WASHER,PLAIN	1				0	0
110	05515-51000	PIN,SNAP	1				0	0
120	66071-42932	ROD,PARKING BRAKE	1				0.12	0.264
130	66071-42940	SPRING	1				0.008	0.0176
140	04013-50080	WASHER,PLAIN	1				0	0
150	05511-50218	PIN,SPLIT	1				0.001	0.0022
160	33251-80170	GRIP	1				0.008	0.0176
170	02112-50080	NUT	1				0.003	0.0066

BRAKE ROD

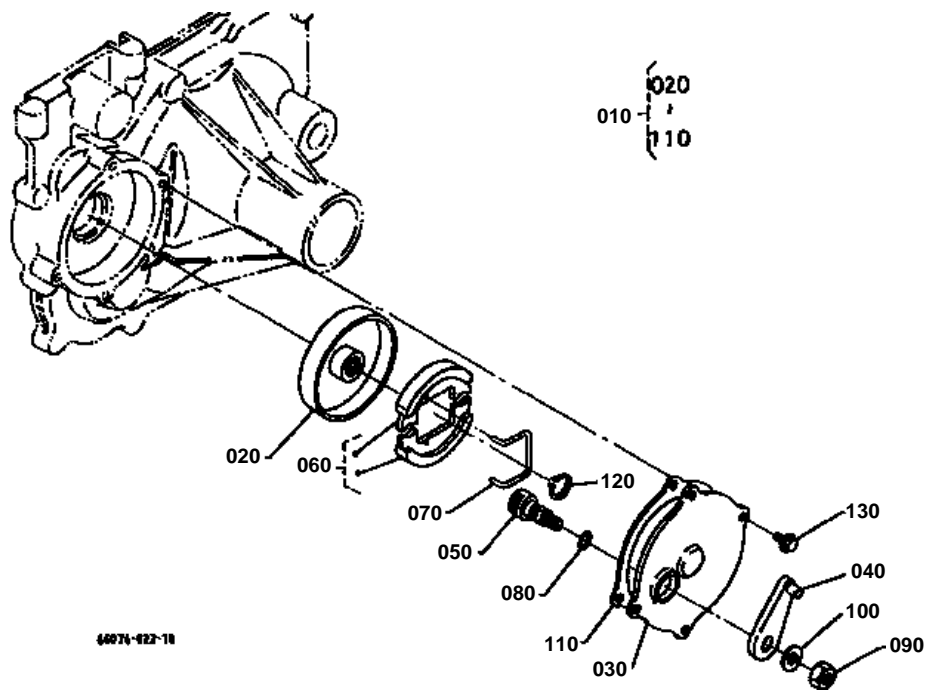




BRAKE ROD
S.No.;>=50001

↔ Interchangeable; ≠ not interchangeable; ← new for old; → old for new

REF.No	Part No.	Description	Q'ty	S.No.	I/C	REMARKS	Weight (kgf)	Weight (lb)
010	66071-48410	ROD,BRAKE	1				0.26	0.572
020	02156-50080	NUT	2				0.004	0.0088
030	04013-50080	WASHER,PLAIN	2				0	0
040	05511-50218	PIN,SPLIT	1				0.001	0.0022
050	66021-42850	SPRING	1				0.03	0.066
060	66091-42840	SPRING	1				0.013	0.0286
070	66071-48420	SHAFT,BRAKE ARM	1				0.43	0.946
080	66071-15180	BOLT	2				0.027	0.0594
090	04512-50080	WASHER,SPRING	2				0	0
100	66091-42970	LINK	1				0.05	0.11
110	04013-50080	WASHER,PLAIN	1				0	0
120	05511-50218	PIN,SPLIT	1				0.001	0.0022
130	04013-50060	WASHER,PLAIN	1				0	0
140	05511-51612	PIN,SPLIT	1				0.001	0.0022
150	05112-51055	PIN,JOINT	1				0.032	0.0704
160	66071-42110	HOLDER,BRAKE LOCK	1				0.01	0.022
170	66071-42760	LOCK,BRAKE	1				0.05	0.11
180	01754-50612	BOLT,FLANGE	2				0.005	0.011
190	66071-42120	PLATE,PARKING	1				0.015	0.033
200	04013-50100	WASHER,PLAIN	1				0	0
210	05515-51000	PIN,SNAP	1				0	0
220	66071-42940	SPRING	1				0.008	0.0176



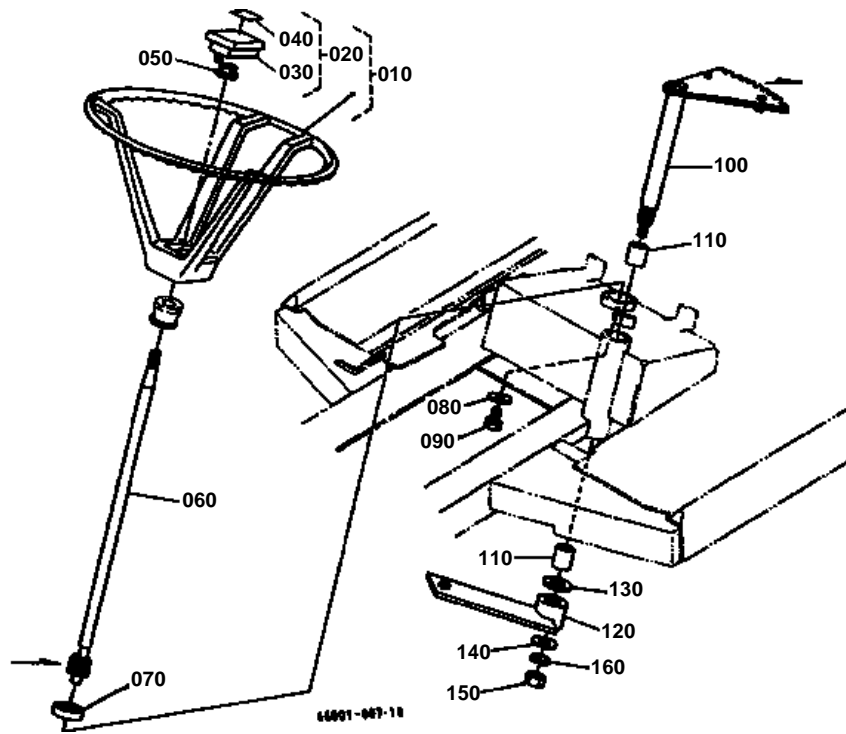


BRAKE
S.No.;<=12023

↔ Interchangeable; ≠ not interchangeable; ← new for old; → old for new

REF.No	Part No.	Description	Q'ty	S.No.	I/C	REMARKS	Weight (kgf)	Weight (lb)
010	66071-22300	ASSY BRAKE	1				0.62	1.364
020	66071-22310	DRUM,BRAKE	1				0.195	0.429
030	66071-22320	COVER,BRAKE	1				0.175	0.385
040	66071-22330	LEVER,BRAKE	1				0.067	0.1474
050	66021-22340	SHAFT,BRAKE CAM	1				0.048	0.1056
060	66071-22390	KIT SHOE,BRAKE	1				0.03	0.066
070	66021-22360	SPRING,SHOE RETURN	1				0.005	0.011
080	63611-22140	O RING	1				0.001	0.0022
090	02014-50100	NUT	1				0.011	0.0242
100	04512-50100	WASHER,SPRING	1				0	0
110	66071-22340	GASKET	1				0.005	0.011
120	04612-00140	CIR CLIP,EXTERNAL	1				0.001	0.0022
130	01754-50612	BOLT,FLANGE	4				0.005	0.011

STEERING

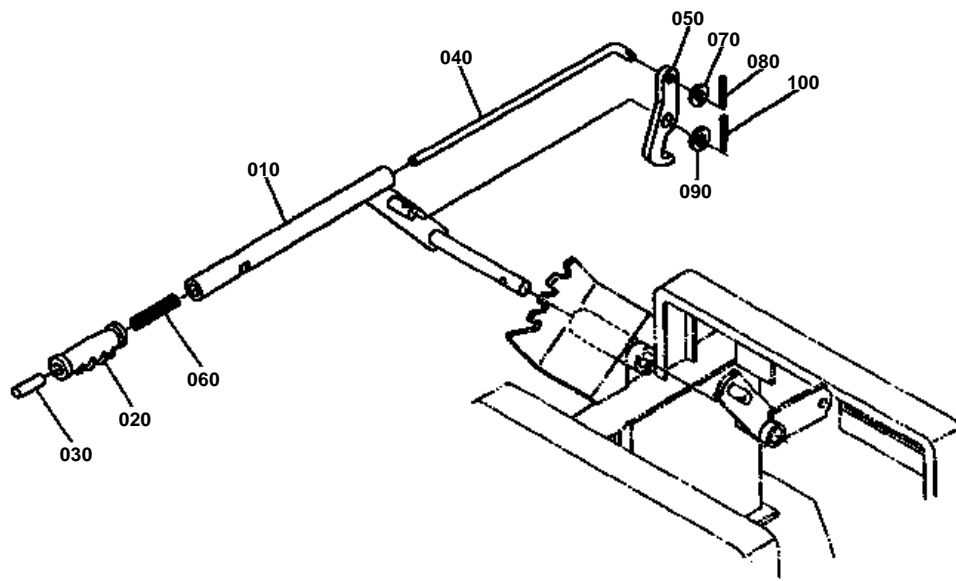


**STEERING**

↔ Interchangeable; ≠ not interchangeable; ← new for old; → old for new

REF.No	Part No.	Description	Q'ty	S.No.	I/C	REMARKS	Weight (kgf)	Weight (lb)
010	66071-41002	ASSY WHEEL,STEERING	1				2.27	4.994
020	66071-41022	CAP,WHEEL	1				0.02	0.044
030	66071-41080	CAP	1				0.02	0.044
040	66071-41092	MARK,KUBOTA	1				0.004	0.0088
050	66071-41030	NUT,FLANGE	1	≤10572			0	0
050	02771-50120	NUT,FLANGE	1	≥10573	↔		0.018	0.0396
060	66071-41045	SHAFT,STEERING	1				0.69	1.518
070	08141-06201	BEARING,BALL	1				0.04	0.088
080	68493-42710	WASHER	1				0.02	0.044
090	01123-50814	BOLT	1				0	0
100	66071-41110	COMP.GEAR,SECTOR	1				1.7	3.74
110	66021-41120	BEARING,DRY	2				0.015	0.033
120	66071-41130	ARM,PITMAN	1				0.6	1.32
130	66071-41140	SHIM	1			1.0MM	0.007	0.0154
130	66071-41150	SHIM	1			0.5MM	0.003	0.0066
140	04013-50120	WASHER,PLAIN	1				0	0
150	02174-50120	NUT	1				0.01	0.022
160	04512-50120	WASHER,SPRING	1				0	0

LIFT LEVER



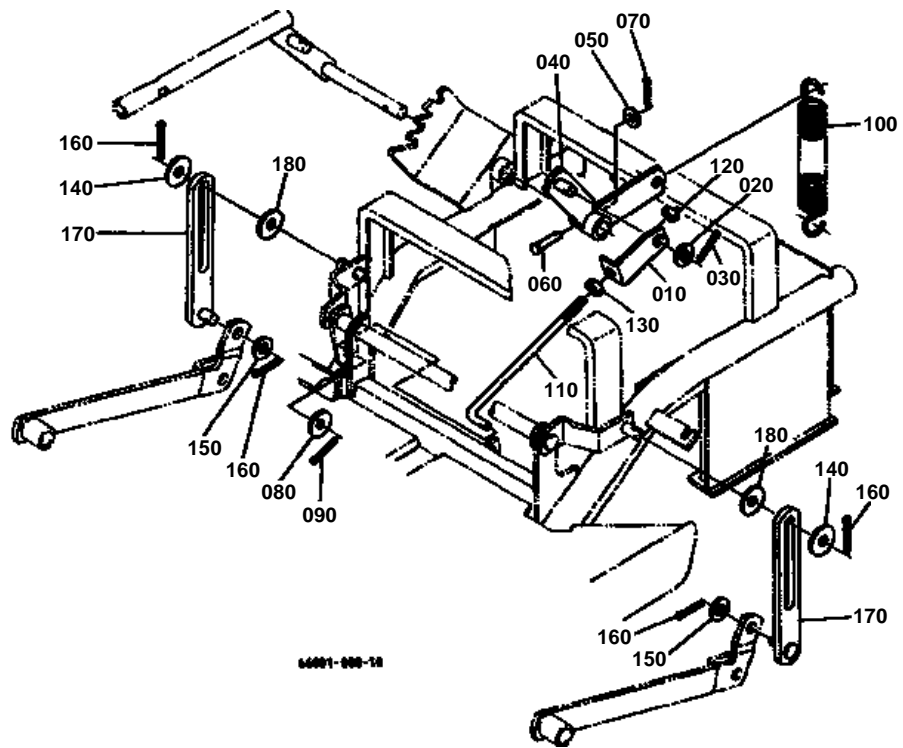
44001-013-14

**LIFT LEVER**

↔ Interchangeable; ≠ not interchangeable; ← new for old; → old for new

REF.No	Part No.	Description	Q'ty	S.No.	I/C	REMARKS	Weight (kgf)	Weight (lb)
010	66071-51742	LEVER,LIFT	1				0.66	1.452
020	66071-51750	GRIP,LEVER	1				0.051	0.1122
030	66071-51760	BUTTON	1				0.042	0.0924
040	66071-51772	ROD,LIFT LOCK	1				0.05	0.11
050	66071-51782	LOCK,LIFT	1				0.1	0.22
060	66071-51790	SPRING	1				0.005	0.011
070	04013-50060	WASHER,PLAIN	1				0	0
080	05511-51612	PIN,SPLIT	1				0.001	0.0022
090	04013-50080	WASHER,PLAIN	1				0	0
100	05511-50218	PIN,SPLIT	1				0.001	0.0022

LIFT LINK

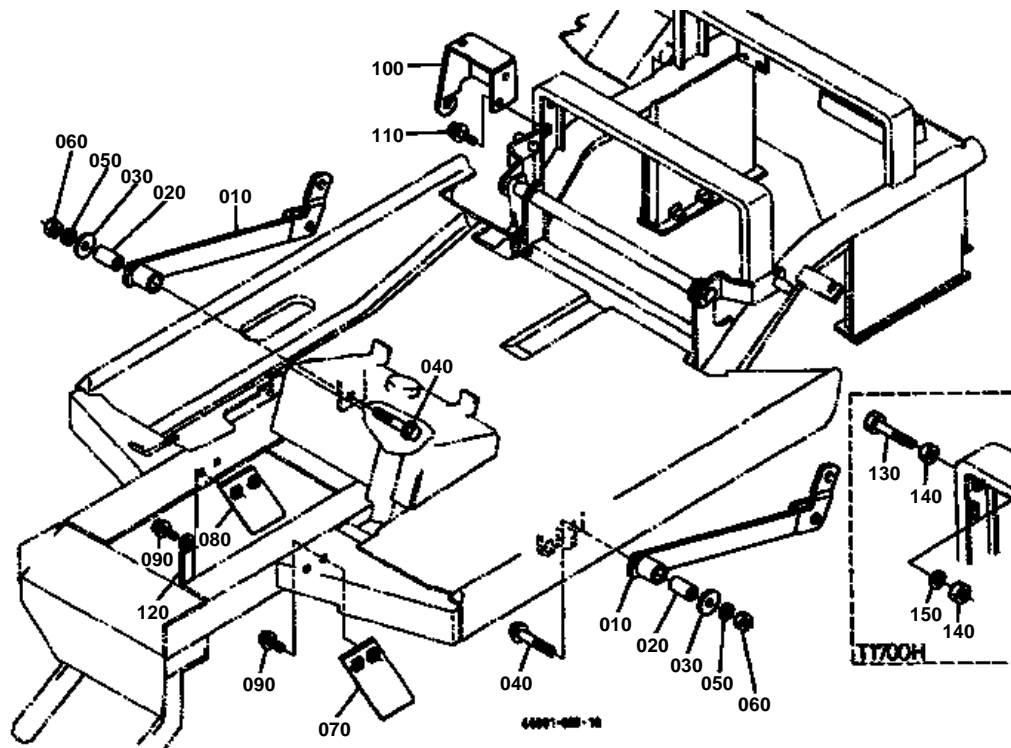


60001-000-10

**LIFT LINK**

↔ Interchangeable; ≠ not interchangeable; ← new for old; → old for new

REF.No	Part No.	Description	Q'ty	S.No.	I/C	REMARKS	Weight (kgf)	Weight (lb)
010	66071-51810	LINK,LIFT	1				0.143	0.3146
020	04011-50120	WASHER,PLAIN	1				0.005	0.011
030	05511-50425	PIN,SPLIT	1				0.003	0.0066
040	66071-51822	LEVER,LIFT LINK	1				0.285	0.627
050	04013-50060	WASHER,PLAIN	1				0	0
060	66071-51920	PIN,JOINT	1				0.01	0.022
070	05511-50212	PIN,SPLIT	1				0.001	0.0022
080	04015-50100	WASHER,PLAIN	1				0.016	0.0352
090	05511-50318	PIN,SPLIT	1				0.001	0.0022
100	66091-45140	SPRING,LIFT	1				0.3	0.66
110	66071-51833	LINK,LIFT	1				0.14	0.308
120	02118-50100	NUT	1				0.005	0.011
130	02116-50100	NUT	1				0.004	0.0088
140	04015-50120	WASHER,PLAIN	2				0	0
150	04011-50120	WASHER,PLAIN	2				0.005	0.011
160	05511-50425	PIN,SPLIT	4				0.003	0.0066
170	66001-51870	LINK,LIFT	2				0.36	0.792

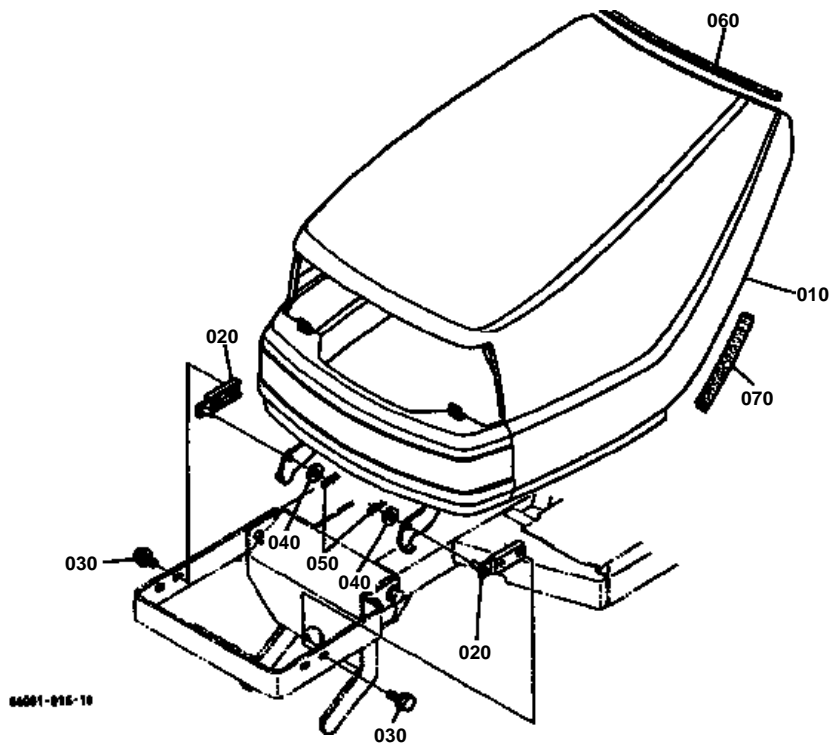


**MOWER LINK**

↔ Interchangeable; ≠ not interchangeable; ← new for old; → old for new

REF.No	Part No.	Description	Q'ty	S.No.	I/C	REMARKS	Weight (kgf)	Weight (lb)
010	66001-51910	LINK	2				0.5	1.1
020	66001-51920	COLLAR	2				0.04	0.088
030	04015-50100	WASHER,PLAIN	2				0.016	0.0352
040	01774-51055	BOLT,FLANGE	2				0.04	0.088
050	04512-50100	WASHER,SPRING	2				0	0
060	02176-50100	NUT	2				0.005	0.011
070	66001-51960	PLATE,LH	1				0.25	0.55
080	66001-51970	PLATE,RH	1				0.3	0.66
090	01754-50820	BOLT,FLANGE	4				0.015	0.033
100	66001-51940	BRACKET	1				0.35	0.77
110	01125-50825	BOLT	2				0.018	0.0396
120	13824-67580	CLAMP,CORD	1				0.006	0.0132

HOOD



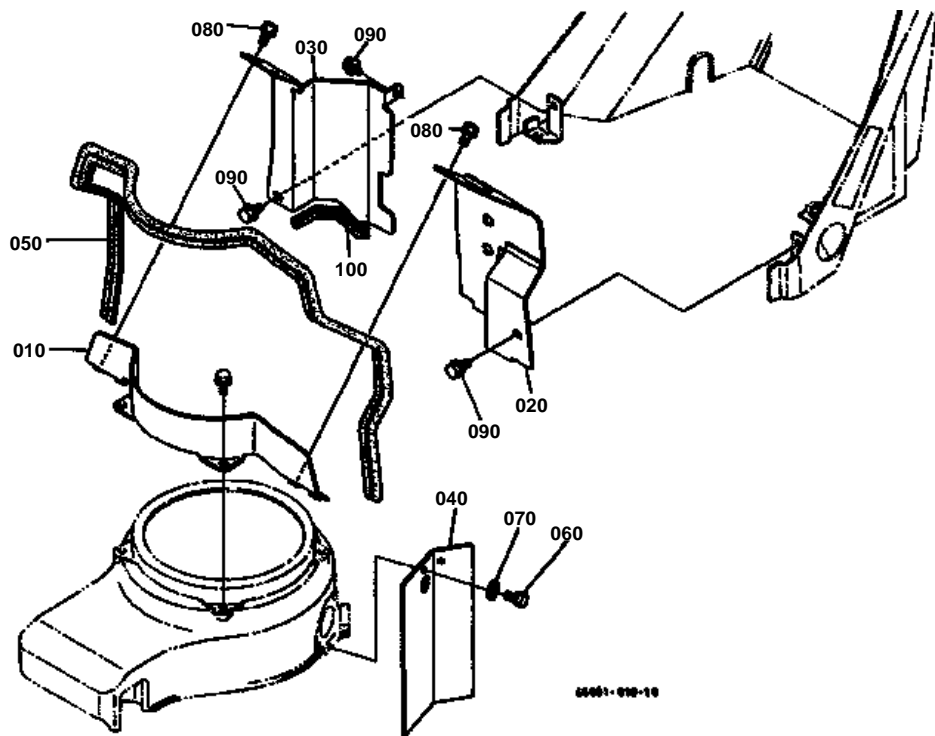


HOOD

↔ Interchangeable; ≠ not interchangeable; ← new for old; → old for new

REF.No	Part No.	Description	Q'ty	S.No.	I/C	REMARKS	Weight (kgf)	Weight (lb)
010	66001-54110	COMP.BONNET	1				5.5	12.1
020	66071-54210	FULCRUM,BONNET	2				0.077	0.1694
030	01754-50816	BOLT,FLANGE	4				0.011	0.0242
040	04013-50100	WASHER,PLAIN	2				0	0
050	05516-51000	PIN,SNAP	2				0	0
060	66204-53150	TRIM,SASH	1				0.02	0.044
070	66001-54120	TRIM	2				0.01	0.022

SHUTTER PLATE

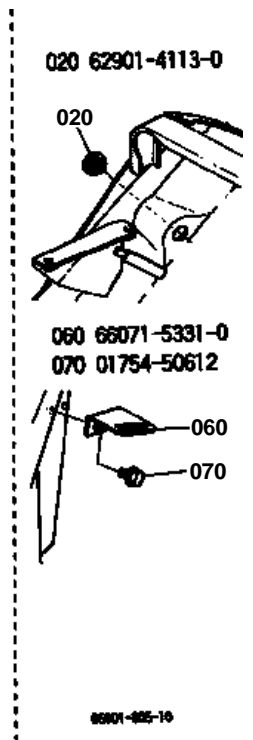
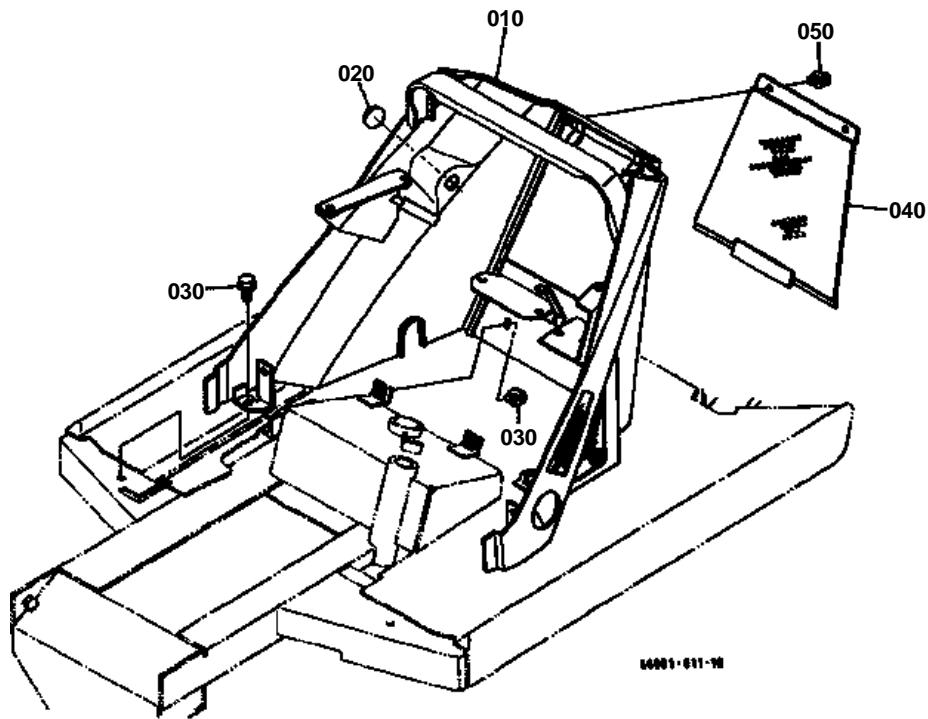




SHUTTER PLATE

↔ Interchangeable; ≠ not interchangeable; ← new for old; → old for new

REF.No	Part No.	Description	Q'ty	S.No.	I/C	REMARKS	Weight (kgf)	Weight (lb)
010	66001-51310	PLATE,SHUTTER	1				0.23	0.506
020	66001-51320	PLATE,SHUTTER LH	1				0.365	0.803
030	66001-51340	PLATE,SHUTTLE RH	1				0.4	0.88
040	66001-51360	PLATE,SHUTTER REAR	1				0.095	0.209
050	66001-51370	TRIM,SASH	1				0.135	0.297
060	01023-50612	BOLT	2	≤10862			0.005	0.011
060	01023-50620	BOLT	2	≥10863	←		0.006	0.0132
070	04015-50060	WASHER,PLAIN	2				0	0
080	01754-50612	BOLT,FLANGE	4				0.005	0.011
090	01754-50812	BOLT,FLANGE	3				0.01	0.022
100	35533-90160	CUSHION	1				0.006	0.0132

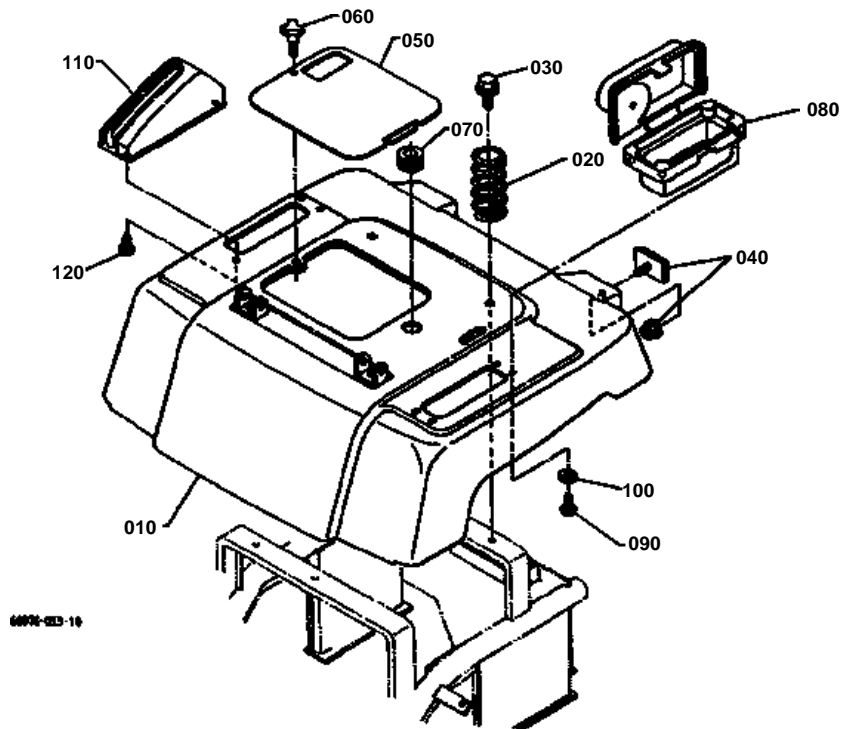




PANEL

↔ Interchangeable; ≠ not interchangeable; ← new for old; → old for new

REF.No	Part No.	Description	Q'ty	S.No.	I/C	REMARKS	Weight (kgf)	Weight (lb)
010	66001-53120	COMP.PANEL	1				3.4	7.48
020	62901-41130	PLUG	1	<=12023			0.001	0.0022
020	66001-47150	LABEL,COVER	1	>=50001	↔		0.001	0.0022
030	01754-50812	BOLT,FLANGE	4				0.01	0.022
040	66071-53280	COVER,PANEL REAR	1				0.238	0.5236
050	66071-55130	SCREW	2				0.01	0.022
060	66071-53310	STAY,PANEL	1	<=12023			0.065	0.143
070	01754-50612	BOLT,FLANGE	2	<=12023			0.005	0.011

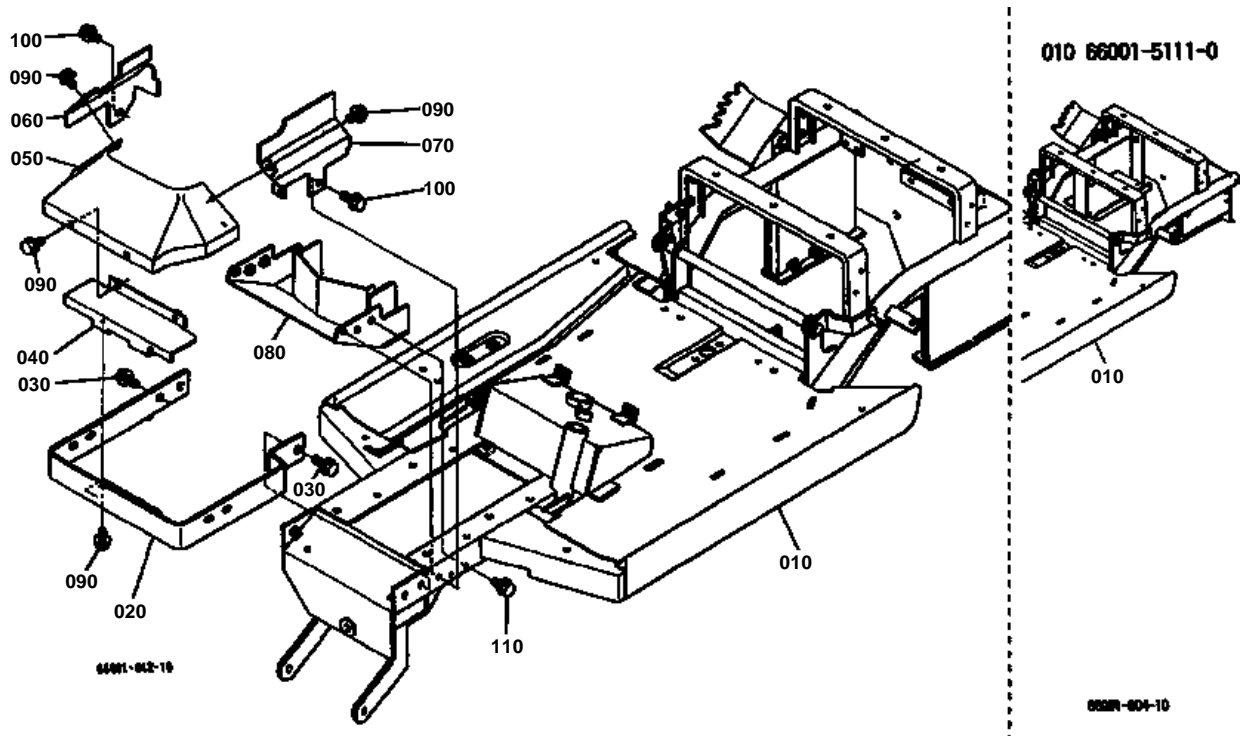


**FENDER**

↔ Interchangeable; ≠ not interchangeable; ← new for old; → old for new

REF.No	Part No.	Description	Q'ty	S.No.	I/C	REMARKS	Weight (kgf)	Weight (lb)
010	66071-52116	FENDER	1				4	8.8
020	66301-52810	SPRING,SEAT	2				0.12	0.264
030	01125-50825	BOLT	4				0.018	0.0396
040	66021-52130	REFLECTOR	2				0.027	0.0594
050	66071-52144	COVER,BATTERY	1				0.35	0.77
060	14117-57170	KNOB,SP.ADJ.LEVER	1				0.015	0.033
070	67061-54650	CUSHION	1				0.01	0.022
080	66071-52150	COVER,FENDER	1				0.113	0.2486
090	03614-50612	SCREW,TAPPING	4				0.003	0.0066
100	04012-50060	WASHER,PLAIN	4				0.001	0.0022
110	66071-52160	COVER,LIFT	1				0.076	0.1672
120	03614-50612	SCREW,TAPPING	3				0.003	0.0066

FRAME

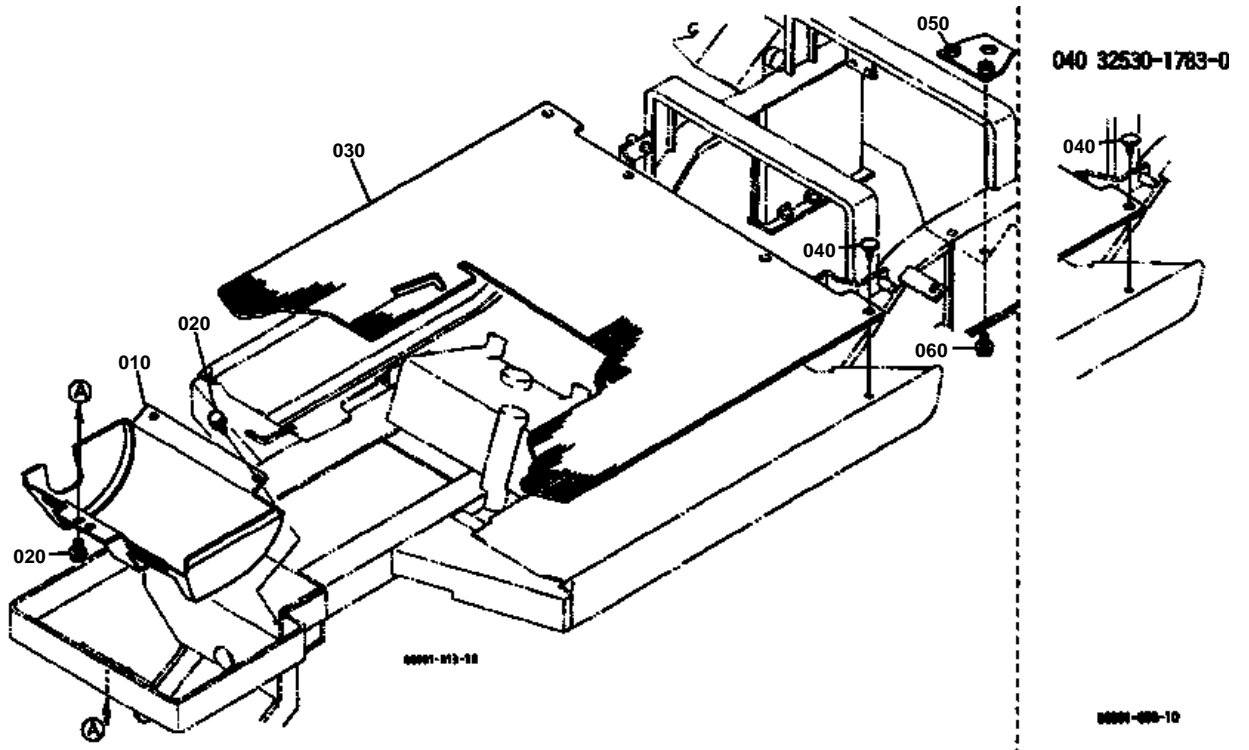


**FRAME**

↔ Interchangeable; ≠ not interchangeable; ← new for old; → old for new

REF.No	Part No.	Description	Q'ty	S.No.	I/C	REMARKS	Weight (kgf)	Weight (lb)
010	66001-51110	FRAME	1	<=10862			0	0
010	66001-51116	FRAME	1	>=10863	←		35	77
010	66001-51130	FRAME	1	>=50001	≠		34	74.8
020	66071-51213	BUMPER	1				1.42	3.124
030	01774-51020	BOLT,FLANGE	4				0	0
040	66001-51220	COVER	1				0.2	0.44
050	66001-51230	COVER	1				0.55	1.21
060	66001-51240	COVER	1				0.18	0.396
070	66001-51254	COVER	1				0.23	0.506
080	66001-51260	COVER	1				0.7	1.54
090	01754-50612	BOLT,FLANGE	8				0.005	0.011
100	01754-50616	BOLT,FLANGE	2				0.006	0.0132
110	01754-50812	BOLT,FLANGE	4				0.01	0.022

STEP SEAT

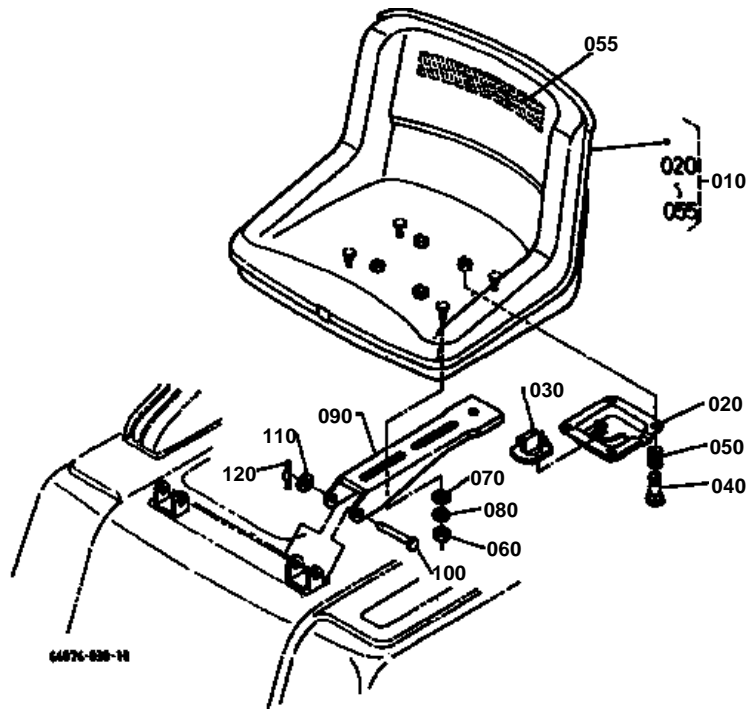




STEP SEAT

↔ Interchangeable; ≠ not interchangeable; ← new for old; → old for new

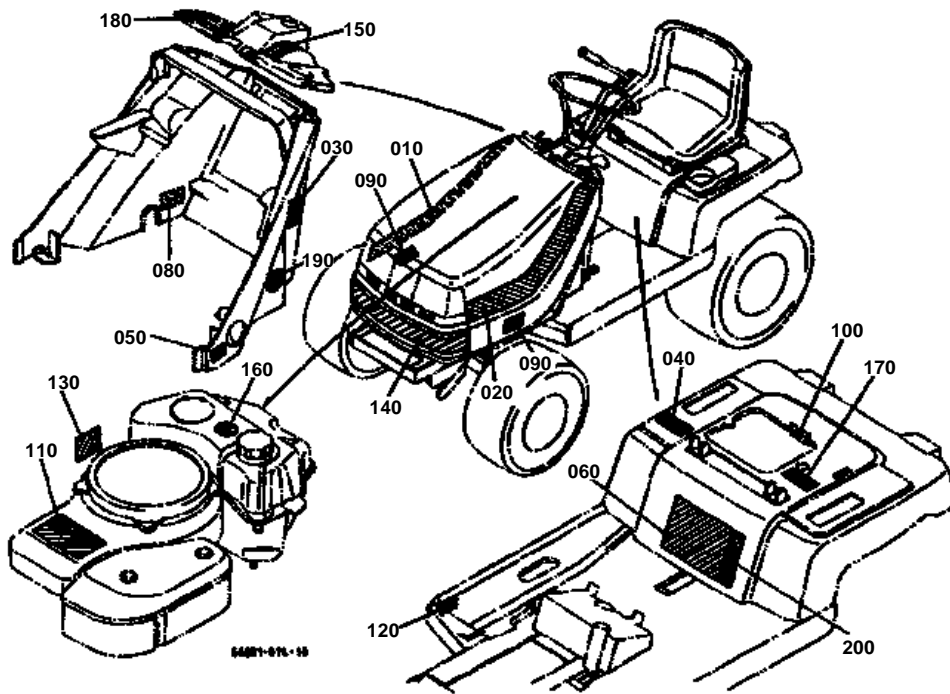
REF.No	Part No.	Description	Q'ty	S.No.	I/C	REMARKS	Weight (kgf)	Weight (lb)
010	66001-51350	COVER,MUFFLER	1				1.22	2.684
020	01754-50812	BOLT,FLANGE	4				0.01	0.022
030	66071-51360	SEAT,STEP	1				1.66	3.652
040	32530-17830	STOPPER	4	≤12023			0.002	0.0044
050	66071-51290	PLATE,HITCH	1				0.189	0.4158
060	01754-50816	BOLT,FLANGE	2				0.011	0.0242



**SEAT**

↔ Interchangeable; ≠ not interchangeable; ← new for old; → old for new

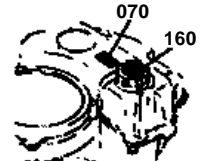
REF.No	Part No.	Description	Q'ty	S.No.	I/C	REMARKS	Weight (kgf)	Weight (lb)
010	66071-45904	ASSY SEAT	1				5.59	12.298
020	66071-45940	ASSY STAY,SEATSWITCH	1				0.13	0.286
030	66071-45950	ASSY SWITCH,SEAT	1				0.07	0.154
040	66071-45970	BOLT	4				0.01	0.022
050	66071-45980	SPRING	4				0.002	0.0044
055	67001-47112	LABEL,KUBOTA	1				0.01	0.022
060	02114-50080	NUT	4				0.005	0.011
070	04013-50080	WASHER,PLAIN	4				0	0
080	04512-50080	WASHER,SPRING	4				0	0
090	66071-45960	SUPPORT,SEAT	2				0.4	0.88
100	05112-50865	PIN,JOINT	2				0.028	0.0616
110	04013-50080	WASHER,PLAIN	2				0	0
120	05515-50800	PIN,SNAP	2				0	0



030 66071-4713-0
030 66074-4713-0



070 66041-4728-0
070 66706-4734-0
160 62425-4749-0
160 61232-4815-0



100 66071-4724-0
100 66074-4724-0



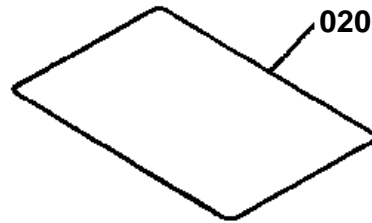
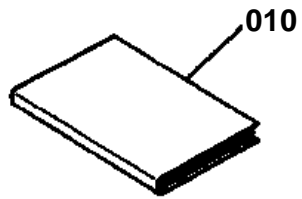
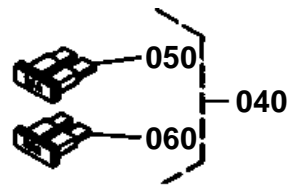
66071-076-10



LABEL

↔ Interchangeable; ≠ not interchangeable; ← new for old; → old for new

REF.No	Part No.	Description	Q'ty	S.No.	I/C	REMARKS	Weight (kgf)	Weight (lb)
010	66001-47110	MARK,BONNET RH	1				0.015	0.033
020	66001-47120	MARK,BONNET LH	1				0.015	0.033
030	66071-47130	LABEL,PARKING	1	<=12023		[A], [AU], [NZ]	0.001	0.0022
030	66071-47510	LABEL,PARKING	1	>=50001	≠	[A], [AU], [NZ]	0.001	0.0022
030	66074-47130	LABEL,PARKING	1	<=12023		[CA]	0.003	0.0066
030	66074-47510	LABEL,PARKING	1	>=50001	≠	[CA]	0.001	0.0022
040	66071-47180	LABEL,LIFT	1			[A], [AU], [NZ]	0.002	0.0044
040	66082-47180	LABEL,LIFT	1			[CA]	0.001	0.0022
050	66001-47170	LABEL,FUEL ON-OFF	1			[A], [AU], [NZ]	0.001	0.0022
050	66007-47170	LABEL,FUEL ON-OFF	1			[CA]	0.001	0.0022
060	66071-47194	LABEL,ENGINE START	1	<=11389		[A], [AU], [NZ]	0.012	0.0264
060	66001-47190	LABEL,CAUTION	1	>=11390	≠	[A], [AU], [NZ]	0	0
060	66001-47192	LABEL,CAUTION	1	>=11514	←	[A], [AU], [NZ]	0	0
060	66001-47193	LABEL,WARNING	1	>=50653	←	[A], [AU], [NZ]	0.013	0.0286
060	66082-47190	LABEL,CAUTION	1			[CA]	0.001	0.0022
070	66041-47280	LABEL,CAUTION	1	<=12023		[A], [AU], [NZ]	0.001	0.0022
070	66706-47340	LABEL,CAUTION	1	<=12023		[CA]	0.001	0.0022
080	66041-47170	LABEL,SPEED CHANGE	1			[A], [AU], [NZ]	0.001	0.0022
080	66021-47170	LABEL,SPEED CHANGE	1			[CA]	0.001	0.0022
090	66071-47220	LABEL,HST	2				0.002	0.0044
100	66071-47240	LABEL,BYPATH LEVER	1	<=12023		[A], [AU], [NZ]	0.001	0.0022
100	66071-47520	LABEL,BYPATH LEVER	1	>=50001	≠	[A], [AU], [NZ]	0.001	0.0022
100	66074-47240	LABEL,BYPATH LEVER	1	<=12023		[CA]	0.002	0.0044
100	66074-47520	LABEL,BYPATH LEVER	1	>=50001	≠	[CA]	0.001	0.0022
110	66001-47140	MARK,COMMERCIAL	1			[A], [AU], [NZ]	0.005	0.011
110	66057-47140	MARK,COMMERCIAL	1				0	0
120	66041-47290	LABEL,BRAKE	1			[A], [AU],[NZ]	0.001	0.0022
120	66027-47290	LABEL,BRAKE	1			[CA]	0.001	0.0022
130	66071-47320	LABEL,START CAUTION	1	<=50652		[A], [AU], [NZ]	0	0
130	66071-47322	LABEL,START CAUTION	1	>=50653	←	[A], [AU], [NZ]	0.001	0.0022
140	66091-47253	LACE,FRONT LINE	1				0.18	0.396
150	66071-47280	LABEL,STARTER	1			[A], [AU], [NZ]	0.001	0.0022
150	66082-47280	LABEL,STARTER	1			[CA]	0.001	0.0022
160	62425-47490	LABEL,FUEL	1	<=12023		[A], [AU], [NZ]	0.003	0.0066
160	66071-47200	LABEL,FUEL CAUTION	1	>=50001	≠	[A], [AU], [NZ]	0.001	0.0022
160	61232-48150	LABEL,FUEL	1	<=12023		[CA]	0.001	0.0022
160	66074-47200	LABEL,FUEL CAUTION	1	>=50001	≠	[CA]	0.001	0.0022
170	66001-47133	LABEL,HST CAUTION	1	<=10303		[A], [AU], [NZ]	0.002	0.0044
170	66001-47133	LABEL,HST CAUTION	1	>=10304	←	[A], [AU], [NZ]	0.002	0.0044
170	66001-47133	LABEL,HST CAUTION	1	>=10767	←	[A], [AU], [NZ]	0.002	0.0044
170	66001-47133	LABEL,HST CAUTION	1	<=10303		[CA]	0.002	0.0044
170	66001-47133	LABEL,HST CAUTION	1	>=10304	←	[CA]	0.002	0.0044
170	66001-47133	LABEL,HST CAUTION	1	<=10766		[CA]	0.002	0.0044
180	66001-55180	LABEL,PTO	1				0.001	0.0022
190	66093-47340	LABEL,NOISE	1			[AU], [NZ]	0.003	0.0066
200	66071-47160	LABEL,THROTTLE	1	>=11390		[A], [AU], [NZ]	0	0
200	66071-47530	LABEL,ENGINE START	1	>=50001	≠	[A], [AU], [NZ]	0.004	0.0088



66001-015-10



ACCESSORIES

↔ Interchangeable; ≠ not interchangeable; ← new for old; → old for new

REF.No	Part No.	Description	Q'ty	S.No.	I/C	REMARKS	Weight (kgf)	Weight (lb)
010	66001-62910	MANUAL,INSTRUCTION	1	≤11366		[A], [AU], [NZ]	0.1	0.22
010	66001-62912	MANUAL,INSTRUCTION	1	≥11367	≠	[A], [AU], [NZ]	0	0
010	66001-62914	MANUAL,INSTRUCTION	1	≥11390	≠	[A], [AU], [NZ]	0.1	0.22
010	66001-62915	MANUAL,INSTRUCTION	1	≥50001	≠	[A], [AU], [NZ]	0.1	0.22
010	66007-62910	MANUAL,INSTRUCTION	1	≤11366		[CA]	0	0
010	66007-62912	MANUAL,INSTRUCTION	1	≥11367	≠	[CA]	0	0
010	66007-62914	MANUAL,INSTRUCTION	1	≥50001	≠	[CA]	0	0
020	66001-62950	MANUAL,ASSEMBLY	1				0.02	0.044
030	67111-55190	RING,FUSIBLE	1				0.005	0.011
040	66101-55510	ASSY BAG,SPARE FUSE	1				0.01	0.022
050	52200-41620	FUSE,AUTO	1			15A	0.003	0.0066
060	36919-56650	FUSE,AUTO	1			20A	0.002	0.0044