

# Instructions for Parts Books

The heading at the top of the page will be the same for the picture of the parts as it is for the page with the part numbers.

Definition of column headings on part number pages:

**REF.No** → The number referring to the part on the picture page of the parts book.

**Part No.** → The number assigned to this part at the time of printing the parts book.

**Description** → Description of part.

**Q'ty** → Quantity of part used on that page.

**S.No.** → Serial number range of the equipment that this part will fit.

>= Your serial number should be greater than or equal to the number shown.

<= Your serial number should be lesser than or equal to the serial number shown.

**I/C** → Interchangeability of part shown.

↔ The part shown will work for the older and later serial number.

# The part shown is not interchangeable with the other serial number.

← new for old

→ old for new

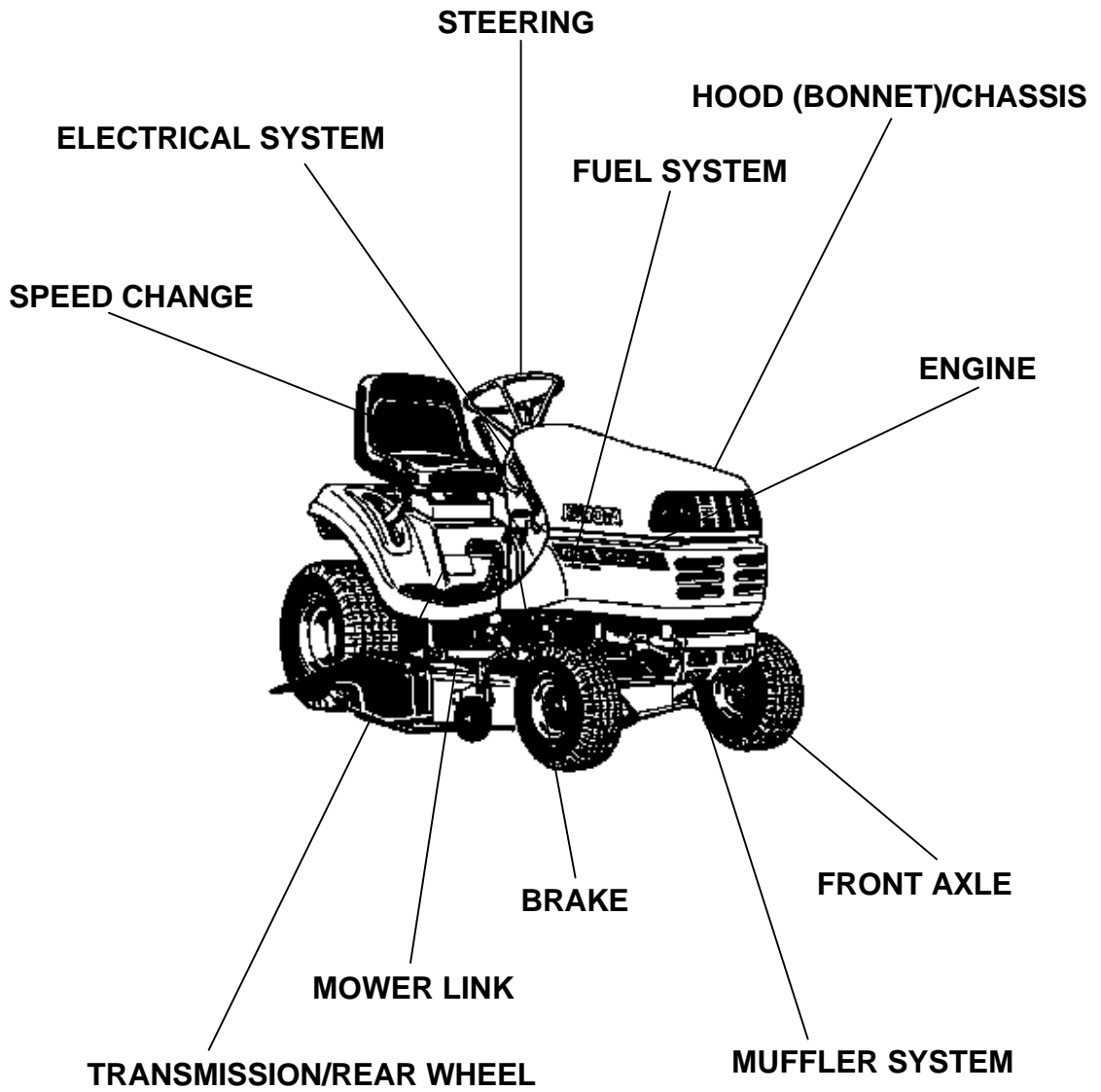
**Remarks** → Notes about this particular part. Sometimes this may say except [FR] or [CA]

## Note about Country Codes:

The parts books we use in the United States of America may also contain information about a part that would be different in another country. It is important that you are aware of the country codes in some instances.

Symbol	Country
A	United States of America
CA	Canada
FR	France
GR	Greece
PO	Portugal
AU	Australia

If the remarks column says for example EXCEPT [FR] this part works in all countries except France. That means it will work here in the USA.

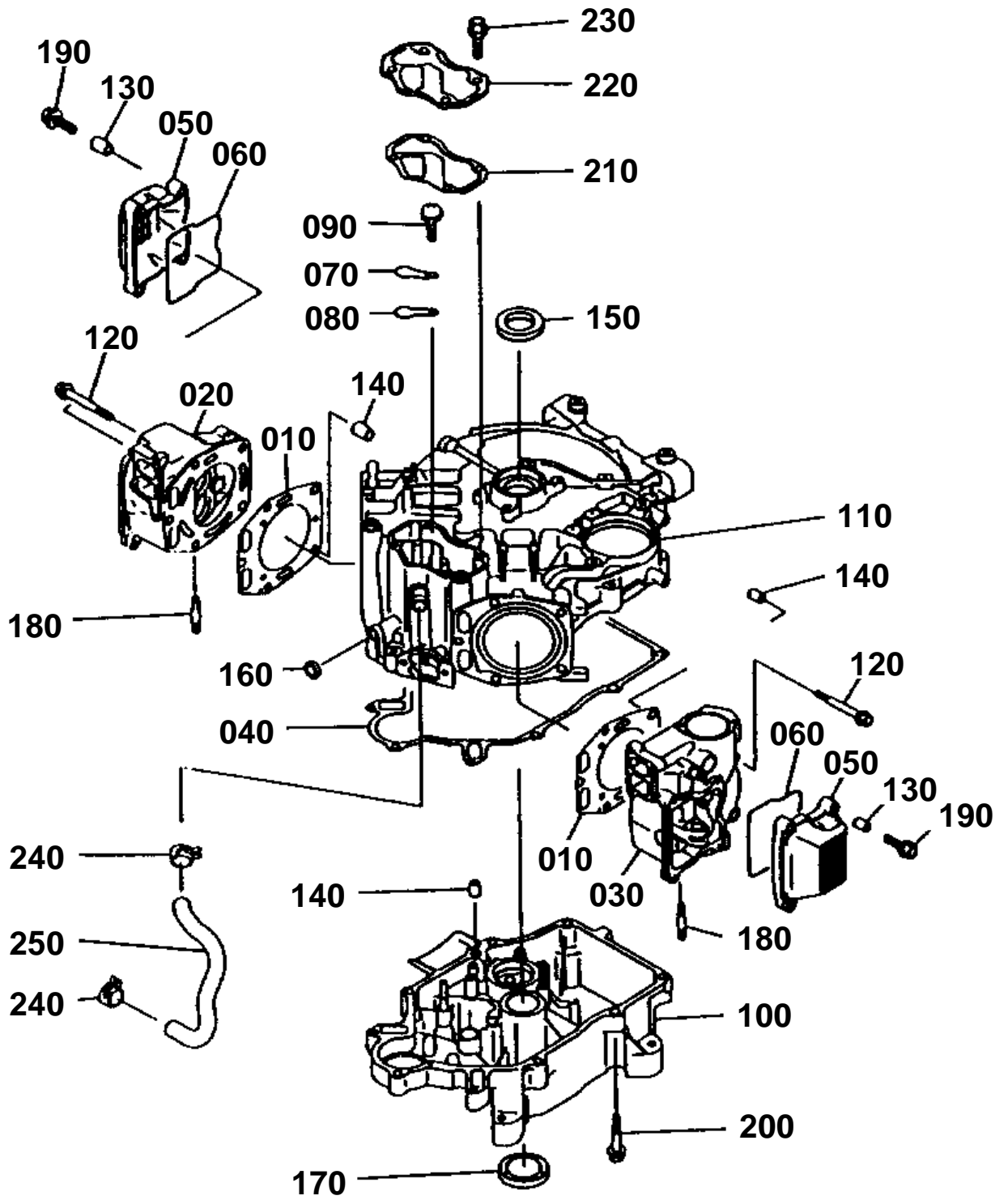


LABELS

ACCESSORIES

Item	Part No.	Description	Book
ENGINE	01G001	CYLINDER/CRANKCASE	100K0696
	01G002	PISTON/CRANKSHAFT	100K0696
	01G003	VALVE/CAMSHAFT	100K0696
	01G004	OIL GAUGE/OIL FILTER	100K0696
	01G005	RADIATOR/FAN	100K0696
	01G006	ELECTRICAL SYSTEM (ENGINE)	100K0696
	01G007	GOVERNOR	100K0696
	01G008	CARBURETOR [COMPONENT PARTS]	100K0696
	01G00801	CARBURETOR	100K0696
	01G009	AIR FILTER/MUFFLER	100K0696
	01G010	FUEL PUMP	100K0696
	01G011	STARTER [COMPONENT PARTS]	100K0696
	01G012	LABEL (ENGINE)	100K0696
FUEL SYSTEM	01G013	ACCEL LEVER	100K0696
	01G014	FUEL TANK	100K0696
MUFFLER SYSTEM	01G015	MUFFLER COVER	100K0696
ELECTRICAL SYSTEM	01G016	BATTERY/WIRE HARNESS	100K0696
	01G017	ELECTRICAL SYSTEM	100K0696
TRANSMISSION/REAR WHEEL	01G018	HST/REAR WHEEL	100K0696
	01G019	HST [COMPONENT PARTS]	100K0696
SPEED CHANGE	01G020	SPEED CHANGE PEDAL	100K0696
	01G021	TESION PULLEY/PTO LEVER	100K0696
BRAKE	01G022	BRAKE ROD/PARKING LOCK PEDAL	100K0696
	01G02201	PARKING BRAKE LEVER	100K0696
STEERING	01G023	STEERING WHEEL	100K0696
FRONT AXLE	01G024	FRAME	100K0696
	01G025	FRONT AXLE/FRONT WHEEL	100K0696
HOOD (BONNET)/CHASSIS	01G026	BONNET/HEAD LIGHT	100K0696
	01G027	FENDER	100K0696
	01G028	PANEL	100K0696
	01G029	SEAT	100K0696
MOWER LINK	01G030	LIFT LEVER/LINK	100K0696
LABELS	01G031	LABEL	100K0696
ACCESSORIES	01G035	ACCESSORIES AND SERVICE PARTS	100K0696
	01G036	SERVICE PARTS	100K0696

CYLINDER/CRANKCASE



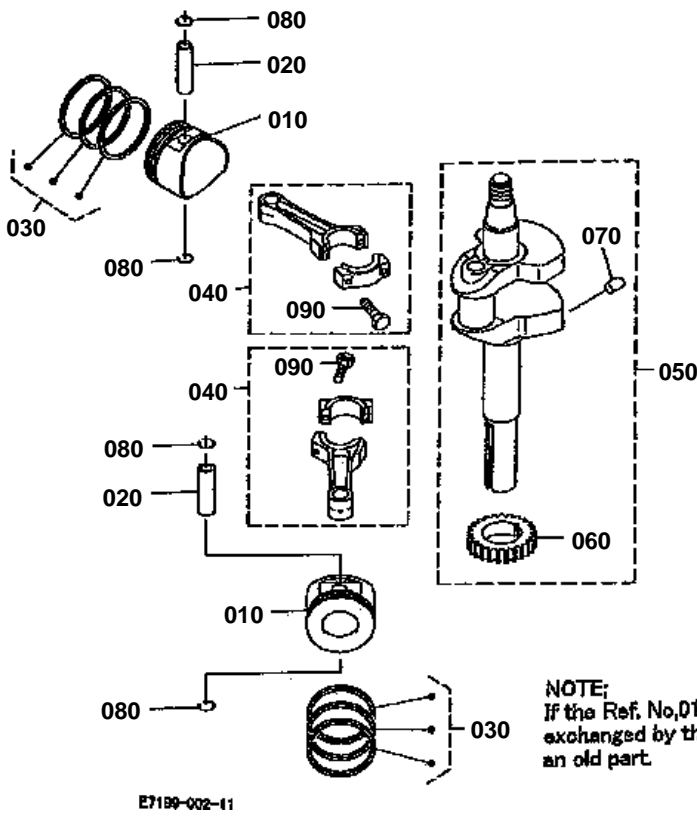
E 7199-001-10



## CYLINDER/CRANKCASE

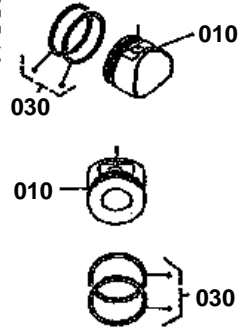
↔ Interchangeable; ≠ not interchangeable; ← new for old; → old for new

REF.No	Part No.	Description	Q'ty	S.No.	I/C	REMARKS	Weight (kgf)	Weight (lb)
010	E7199-03310	GASKET.HEAD	2				0.015	0.033
020	E7199-03100	COMPCYLINDER HEAD(1)	1				0.9	1.98
030	E7199-03110	COMPCYLINDER HEAD(2)	1				1	2.2
040	E7199-12520	GASKET CRANKCASE	1				0.014	0.0308
050	E7199-14500	COVER CYL.HEAD	2				0.056	0.1232
060	E7199-14520	GASKET HEAD COVER	2				0.003	0.0066
070	E7199-05110	PLATE	2				0.002	0.0044
080	E7199-05210	BULB	2				0.001	0.0022
090	12499-05220	SCREW PAN-HEAD	2				0.002	0.0044
100	E7199-01050	COVER CRANKCASE	1				2.06	4.532
110	E7199-02110	COMP.CRANKCASE	1				5.9	12.98
120	E7199-03450	BOLT FLANGE	10				0.027	0.0594
130	E7199-14600	COLLAR	8				0.002	0.0044
140	12489-01060	PIN	6				0.003	0.0066
150	E7199-16640	SEAL OIL	1				0.013	0.0286
160	12499-16650	SEAL OIL	1				0.001	0.0022
170	E7199-16660	SEAL OIL	1				0.02	0.044
180	E7199-91130	STUD	4				0.005	0.011
190	E7199-14510	BOLT FLANGE	8				0.008	0.0176
200	E7199-91120	BOLT FLANGE	6				0.022	0.0484
210	E7199-05300	GASKET	1				0.005	0.011
220	E7199-05310	COVER	1				0.09	0.198
230	E7199-91200	BOLT FLANGE	4				0.012	0.0264
240	E7199-17010	CLAMP	2				0.002	0.0044
250	E7199-17020	TUBE	1				0.02	0.044



NOTE:  
If the Ref. No,010 and Ref.No,030 are  
exchanged by the set, new part can replace  
an old part.

- 010 E7199-2111-0
- 010 E7199-2191-0
- 010 E7199-2192-0
- 030 E7199-2105-0
- 030 E7199-2108-0
- 030 E7199-2109-0



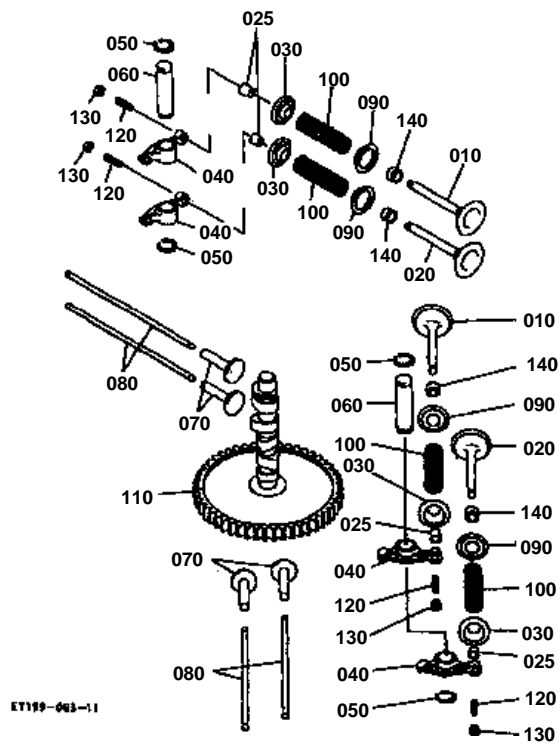
E7199-801-10



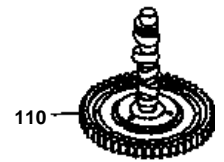
PISTON/CRANKSHAFT

↔ Interchangeable; ≠ not interchangeable; ← new for old; → old for new

REF.No	Part No.	Description	Q'ty	S.No.	I/C	REMARKS	Weight (kgf)	Weight (lb)
010	E7199-21110	PISTON	2	≤126764		STD/SEE NOTE	0.12	0.264
010	E7199-21120	PISTON	2	≥126765	≠	STD	0.14	0.308
010	E7199-21910	PISTON	2	≤126764		+0.25mm/SEE NOTE	0.12	0.264
010	E7199-21920	PISTON	2	≤126764		+0.50mm/SEE NOTE	0.12	0.264
010	E7199-21940	PISTON	2	≥126765	≠	+0.25mm	0.15	0.33
020	E7199-21310	PIN PISTON	2				0.045	0.099
030	E7199-21050	ASSY PISTON RING	2	≤126764		STD	0.266	0.5852
030	E7199-21060	ASSY PISTON RING	2	≥126765	≠	STD	0.02	0.044
030	E7199-21080	ASSY PISTON RING	2	≤126764		+0.25mm	0.009	0.0198
030	E7199-21090	ASSY PISTON RING	2	≤126764		+0.50mm	0.009	0.0198
030	E7199-21070	ASSY PISTON RING	2	≥126765	≠	+0.50mm	0.02	0.044
040	E7199-22010	ASSY ROD CONNECTING	2				0.13	0.286
050	E7199-23010	ASSY CRANKSHAFT	1				3.5	7.7
060	E7199-26440	GEAR	1				0.1	0.22
070	E7199-23110	PIN	1				0.002	0.0044
080	E7199-21330	CLIP PISTON PIN	4				0.001	0.0022
090	E7199-22140	BOLT	4				0.01	0.022



110 E7199-1615-0



E7199-063-10

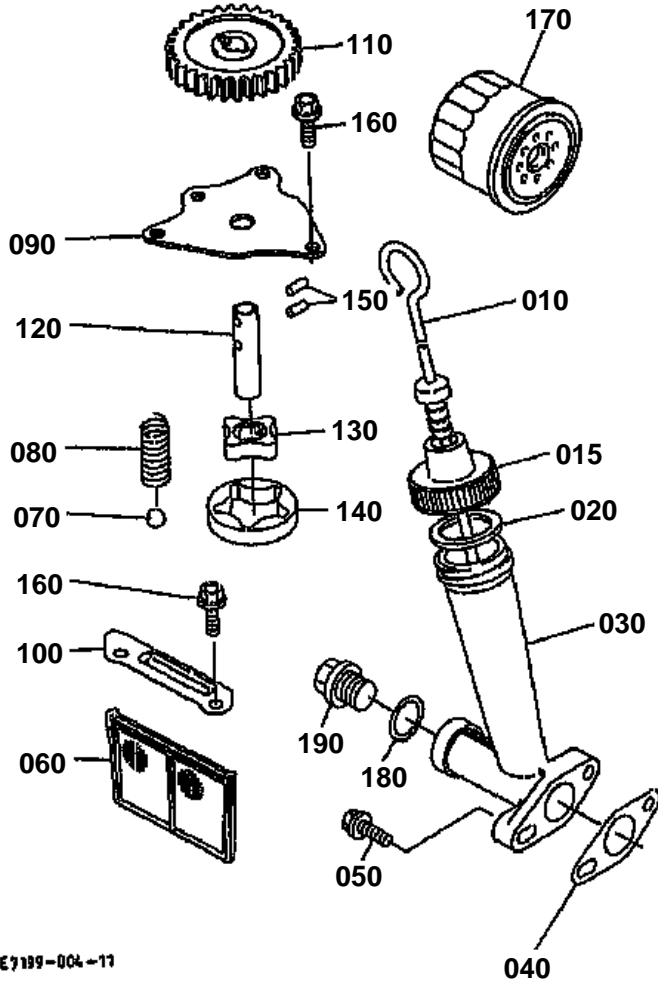




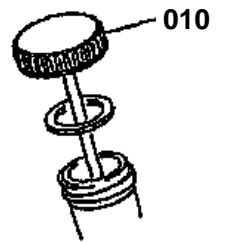
## VALVE/CAMSHAFT

↔ Interchangeable; ≠ not interchangeable; ← new for old; → old for new

REF.No	Part No.	Description	Q'ty	S.No.	I/C	REMARKS	Weight (kgf)	Weight (lb)
010	E7199-13110	VALVE INTAKE	2	≤1101750			0.024	0.0528
010	E7199-13130	VALVE INTAKE	2	≥1101751	≠		0.02	0.044
020	E7199-13120	VALVE EXHAUST	2	≤1101750			0.022	0.0484
020	E7199-13140	VALVE EXHAUST	2	≥1101751	≠		0.019	0.0418
025	E7199-13360	COLLET	8	≥1101751			0.001	0.0022
030	E7199-13330	RETAINER SPRING	4	≤1101750			0.005	0.011
030	E7199-13340	RETAINER SPRING	4	≥1101751	≠		0.005	0.011
040	E7199-14020	ARM ROCKER	4				0.023	0.0506
050	E7199-91210	CIR-CLIP	4				0.001	0.0022
060	E7199-14040	SHAFT ROCKER	2				0.05	0.11
070	E7199-15550	TAPPET	4				0.012	0.0264
080	E7199-15110	PUSH ROD	4				0.015	0.033
090	E7199-15120	SPRING SEAT	4				0.001	0.0022
100	E7199-13240	SPRING VALVE	4	≤1101750			0.009	0.0198
100	E7199-13250	SPRING VALVE	4	≥1101751	≠		0.011	0.0242
110	E7199-16150	COMP.CAMSHAFT	1	≤1101750			0	0
110	E7199-16152	COMP.CAMSHAFT	1	≥1101751	←		0.78	1.716
120	E7199-14230	SCREW ADJUST	4				0.002	0.0044
130	E7199-14240	NUT	4				0.001	0.0022
140	E7199-13150	SEAL OIL	4				0.003	0.0066



010 E7199-3641-0



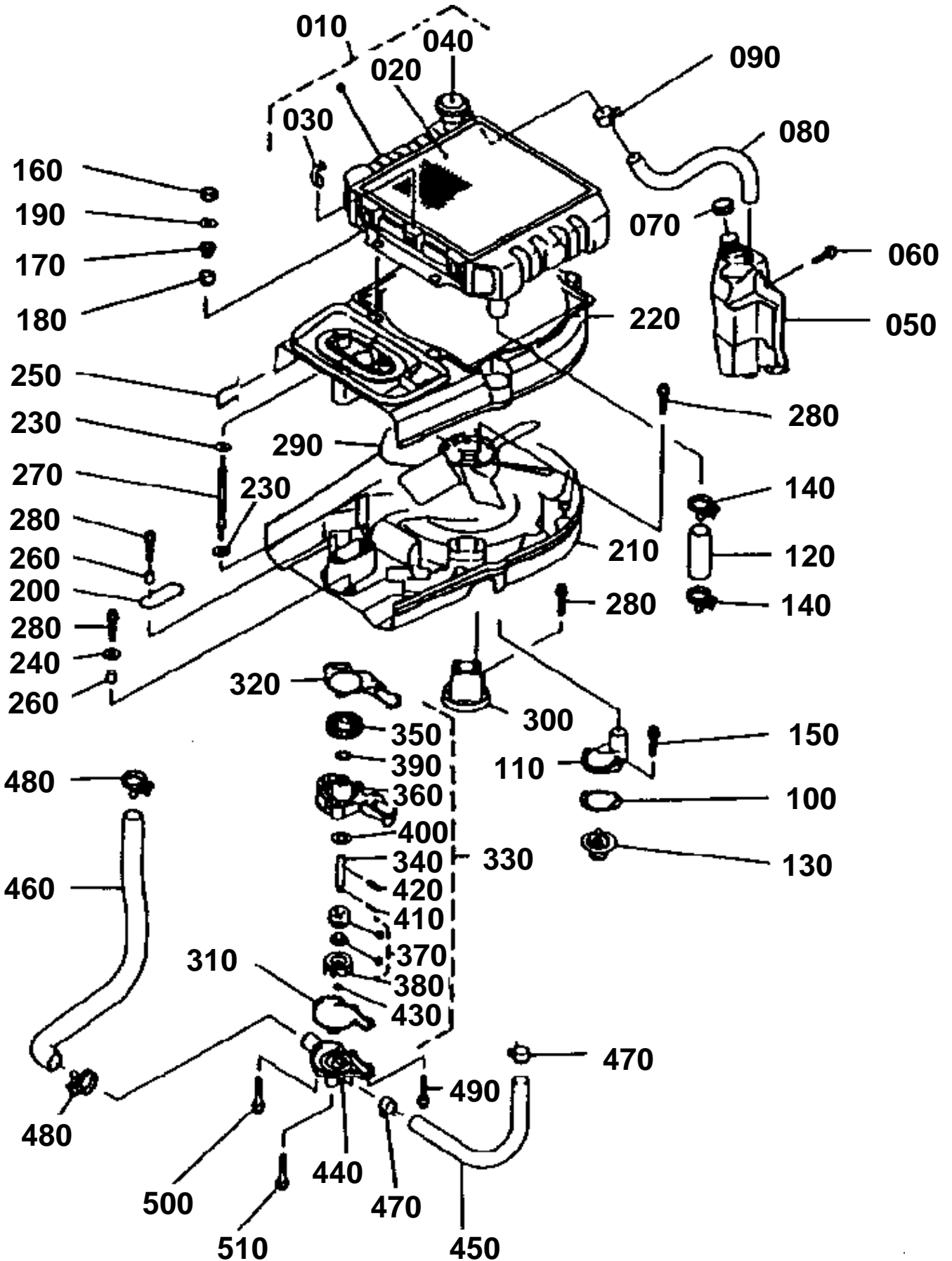
E7199-802-10

**OIL GAUGE/OIL FILTER**

↔ Interchangeable; ≠ not interchangeable; ← new for old; → old for new

REF.No	Part No.	Description	Q'ty	S.No.	I/C	REMARKS	Weight (kgf)	Weight (lb)
010	E7199-36410	GAUGE OIL	1	<=117404			0.014	0.0308
010	E7199-36510	GAUGE OIL	1	>=117405	≠		0.03	0.066
015	E7199-36490	CAP	1	>=117405			0.016	0.0352
020	12499-36420	GASKET OIL GAUGE	1				0.01	0.022
030	E7199-36460	SUPPORT OIL GAUGE	1				0.11	0.242
040	E7199-36400	GASKET FILTER	1				0.001	0.0022
050	E7199-36470	BOLT FLANGE	2				0.007	0.0154
060	E7199-35060	FILTER OIL	1				0.005	0.011
070	E7199-35050	BALL	1				0.004	0.0088
080	E7199-35040	SPRING	1				0.002	0.0044
090	E7199-35130	COVER PUMP	1				0.055	0.121
100	E7199-35140	PLATE	1				0.01	0.022
110	E7199-35150	GEAR	1				0.02	0.044
120	E7199-35270	SHAFT	1				0.014	0.0308
130	E7199-35280	ROTOR PUMP (IN)	1				0.018	0.0396
140	E7199-35080	ROTOR PUMP (OUT)	1				0.035	0.077
150	E7199-35260	PIN	2				0.002	0.0044
160	12498-43110	BOLT FLANGE	5				0.006	0.0132
170	12499-32430	FILTER OIL	1				0.2	0.44
180	E7199-32460	GASKET PLUG	1				0.001	0.0022
190	E7199-32450	PLUG	1				0.059	0.1298

RADIATOR/FAN



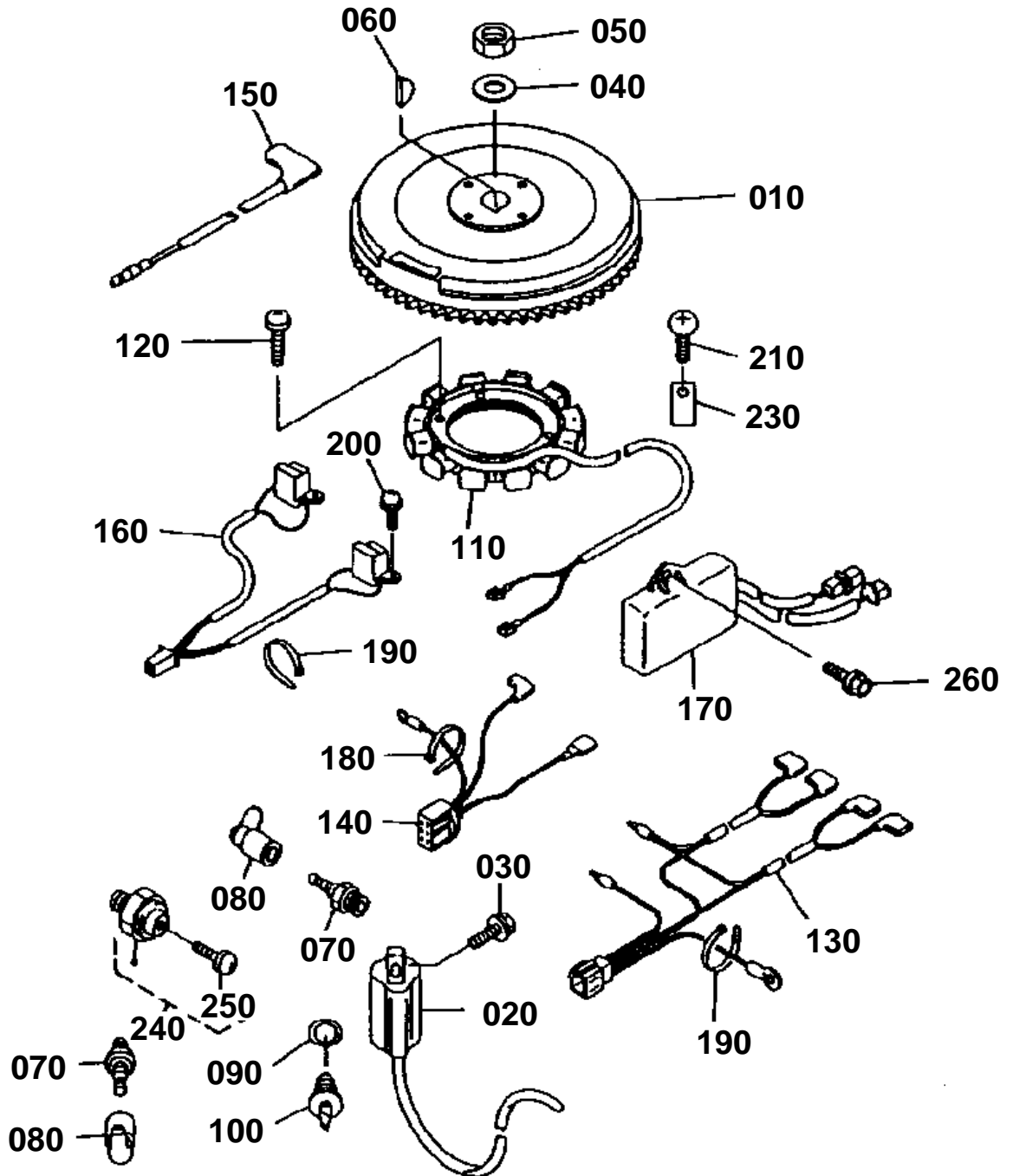
E7199-005-10



## RADIATOR/FAN

↔ Interchangeable; ≠ not interchangeable; ← new for old; → old for new

REF.No	Part No.	Description	Q'ty	S.No.	I/C	REMARKS	Weight (kgf)	Weight (lb)
010	E7199-72060	ASSY RADIATOR	1				4	8.8
020	E7199-75370	COVER SCREEN	1				0.12	0.264
030	E7199-75380	SPRING	2				0.004	0.0088
040	E7199-72020	CAP	1				0.05	0.11
050	E7199-72400	TANK RESERVE	1				0.13	0.286
060	12498-43110	BOLT FLANGE	3				0.006	0.0132
070	E7199-72420	CAP	1				0.007	0.0154
080	E7199-72710	PIPE WATER OVER FLOW	1				0.02	0.044
090	E7199-72470	CLAMP PIPE	1				0.002	0.0044
100	E7199-72500	GASKET THERMOSTAT	1				0.002	0.0044
110	E7199-72510	COVER	1				0.065	0.143
120	E7199-72520	HOSE(COOLING)	1				0.03	0.066
130	E7199-72530	THERMOSTAT	1				0.054	0.1188
140	E7199-73020	CLAMP	2				0.022	0.0484
150	E7199-91400	BOLT FLANGE	2				0.006	0.0132
160	12499-26430	NUT	4				0.003	0.0066
170	E7199-72600	COLLAR	4				0.008	0.0176
180	E7199-72610	DAMPER	4				0.002	0.0044
190	12499-35180	WASHER PLAIN	4				0.004	0.0088
200	E7199-74510	GASKET	1				0.003	0.0066
210	E7199-74300	DUCT(1)	1				0.75	1.65
220	E7199-74310	DUCT(2)	1				0.5	1.1
230	E7199-91220	WASHER PLAIN	8				0.005	0.011
240	E7199-91240	WASHER PLAIN	2				0.002	0.0044
250	E7199-74520	CLAMP	2				0.002	0.0044
260	E7199-74530	COLLAR	4				0.002	0.0044
270	E7199-91300	BOLT	4				0.051	0.1122
280	12499-43110	BOLT FLANGE	12				0.006	0.0132
290	E7199-74460	FAN	1				0.14	0.308
300	E7199-74500	BRACKET	1				0.1	0.22
310	E7199-73430	GASKET WATER PUMP(1)	1				0.003	0.0066
320	E7199-73440	GASKET WATER PUMP(2)	1				0.005	0.011
330	E7199-73030	ASSY PUMP WATER	1				0.25	0.55
340	E7199-73520	SHAFT IMPELLER	1				0.036	0.0792
350	E7199-73550	GEAR	1				0.011	0.0242
360	E7199-73560	CASE PUMP	1				0.17	0.374
370	E7199-73050	ASSY SEAL MECHANICAL	1				0.012	0.0264
380	E7199-73510	IMPELLER WATER PUMP	1				0.013	0.0286
390	E7199-91230	WASHER PLAIN	1				0.002	0.0044
400	E7199-73570	SEAL OIL	1				0.003	0.0066
410	E7199-73530	PIN	1				0.001	0.0022
420	E7199-73540	PIN	1				0.001	0.0022
430	E7199-73580	O RING	1				0.001	0.0022
440	E7199-73060	COVER PUMP	1				0.12	0.264
450	E7199-73070	HOSE(COOLING 1)	1				0.03	0.066
460	E7199-73080	HOSE(COOLING 2)	1				0.17	0.374
470	E7199-73010	CLAMP	2				0.002	0.0044
480	E7199-73020	CLAMP	2				0.022	0.0484
490	E7199-91410	BOLT FLANGE	3				0.011	0.0242
500	E7199-91420	BOLT FLANGE	1				0.017	0.0374
510	E7199-91430	BOLT FLANGE	1				0.03	0.066

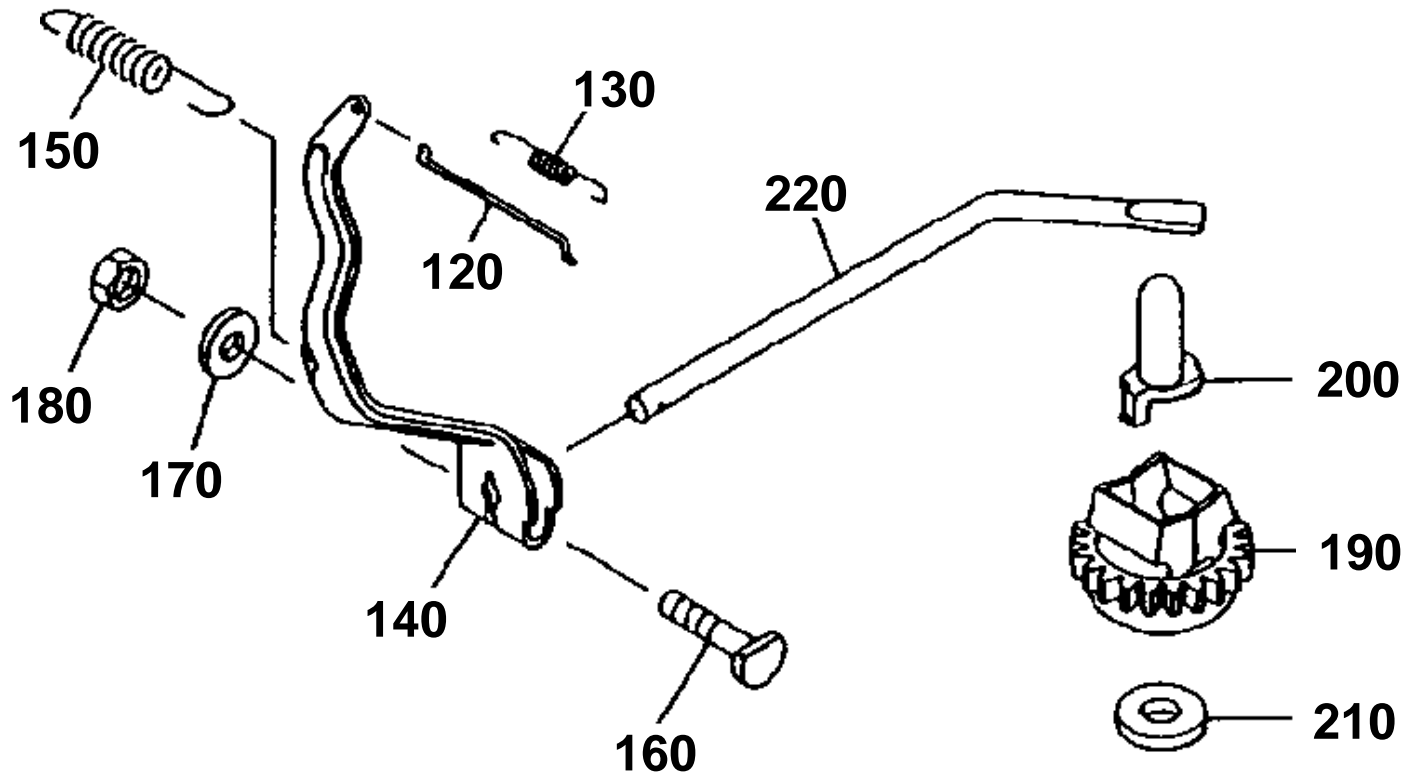
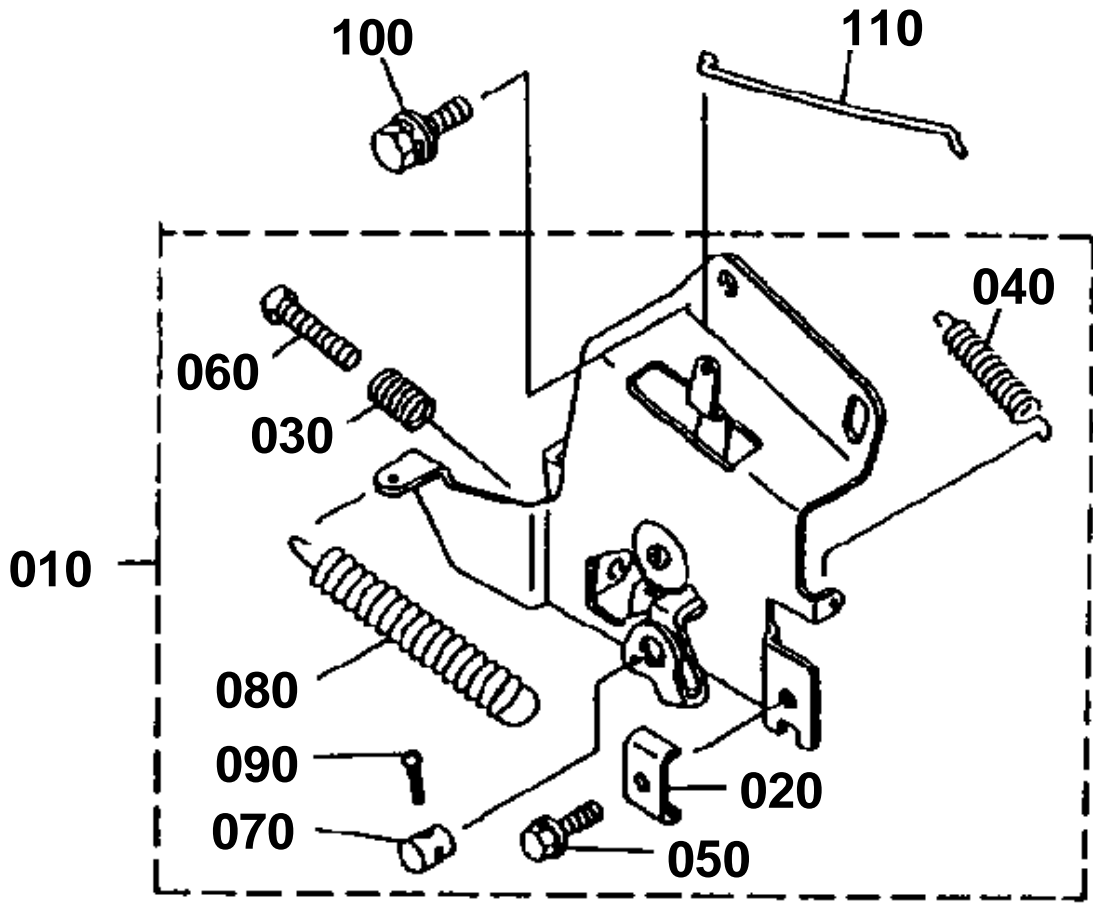


E1199-006-10

**ELECTRICAL SYSTEM (ENGINE)**

↔ Interchangeable; ≠ not interchangeable; ← new for old; → old for new

REF.No	Part No.	Description	Q'ty	S.No.	I/C	REMARKS	Weight (kgf)	Weight (lb)
010	E7199-67030	ASSY FLYWHEEL	1				4.8	10.56
020	E7199-67060	COIL IGNITION	2				0.2	0.44
030	12499-67020	BOLT FLANGE	4				0.004	0.0088
040	E7199-67010	WASHER PLAIN	1				0.018	0.0396
050	E7199-67040	NUT	1				0.029	0.0638
060	E7199-67050	KEY	1				0.003	0.0066
070	E7199-67740	SPARK PLUG	2				0.033	0.0726
080	12489-67720	CAP SPARK PLUG	2				0.02	0.044
090	E7199-62110	GASKET	1				0.001	0.0022
100	E7199-62120	SWITCH	1				0.05	0.11
110	E7199-67070	COIL CHARGE	1				0.67	1.474
120	E7199-67080	SCREW PAN-HEAD	4				0.005	0.011
130	E7199-68130	WIRE HARNESS	1				0.1	0.22
140	E7199-68230	WIRE HARNESS	1				0.028	0.0616
150	E7199-68110	WIRE HARNESS	1				0.013	0.0286
160	E7199-62300	COIL	1				0.086	0.1892
170	E7199-68140	IGNITER	1				0.145	0.319
180	E7199-68240	BAND	1				0	0
190	E7199-62310	BAND	3				0	0
200	E7199-91610	SCREW PAN-HEAD	4				0.002	0.0044
210	E7199-91510	SCREW PAN-HEAD	1				0.002	0.0044
220	99999-99999	BLANK	0				0	0
230	E7199-62010	CLAMP	1				0.002	0.0044
240	E7199-62210	SWITCH	1				0.034	0.0748
250	E7199-91620	SCREW PAN-HEAD	1				0.001	0.0022
260	12498-43110	BOLT FLANGE	2				0.006	0.0132



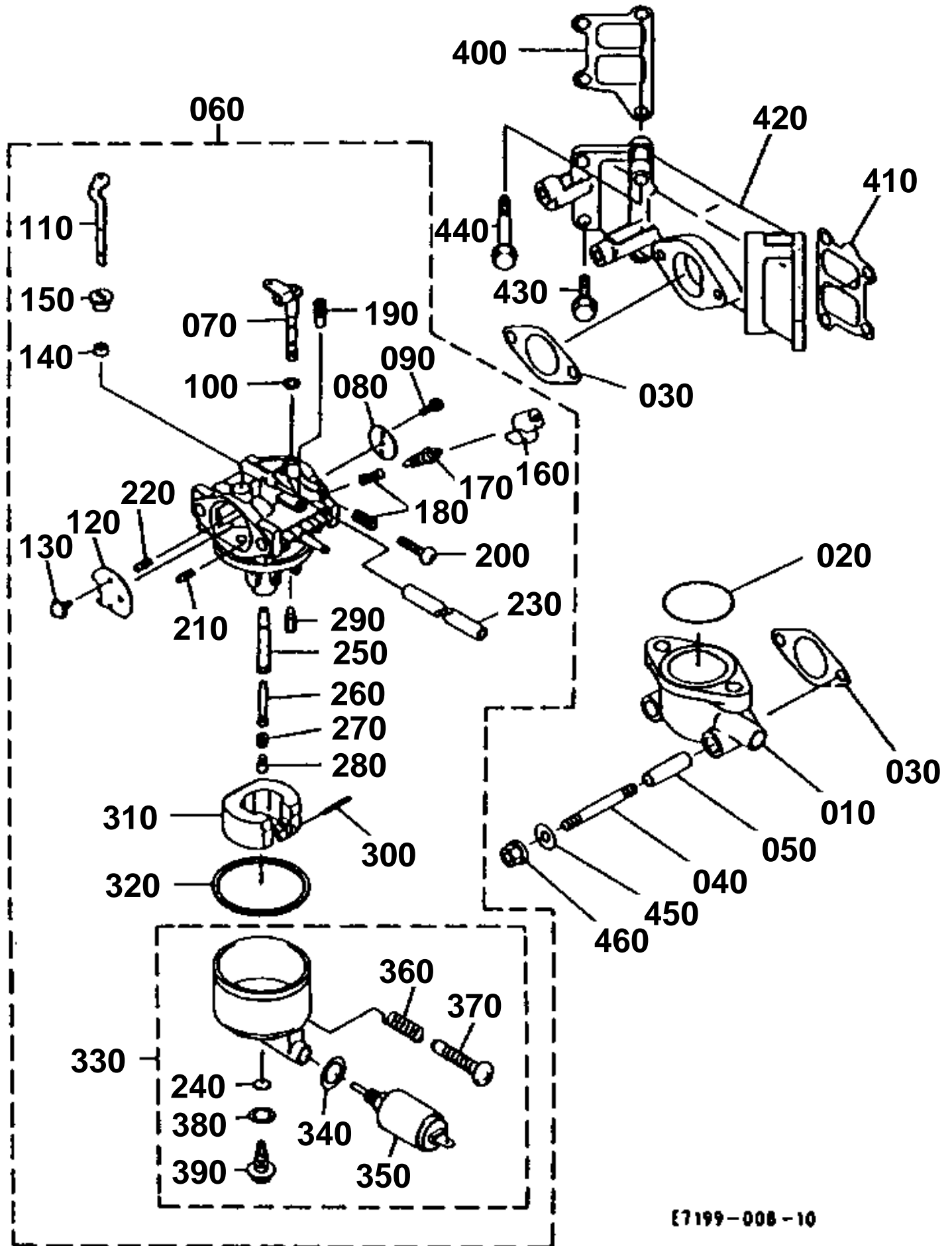
E7199-007-10





↔ Interchangeable; ≠ not interchangeable; ← new for old; → old for new

REF.No	Part No.	Description	Q'ty	S.No.	I/C	REMARKS	Weight (kgf)	Weight (lb)
010	E7195-7180	COMP.LEVER CONTROL	1				0	0
020	E7199-57320	CLAMP	1				0.005	0.011
030	E7199-57340	SPRING	1				0.001	0.0022
040	E7199-57300	SPRING	1				0.002	0.0044
050	12499-57370	BOLT	1				0.004	0.0088
060	E7199-57410	SCREW PAN-HEAD	1				0.004	0.0088
070	E7199-57310	NUT	1				0.003	0.0066
080	12499-57360	SPRING	1				0.005	0.011
090	12499-57390	SCREW PAN-HEAD	1				0.002	0.0044
100	E7199-57140	BOLT	2				0.005	0.011
110	E7199-57810	ROD CHOKE	1				0.002	0.0044
120	E7199-57820	ROD GOVERNOR	1				0.001	0.0022
130	E7199-56390	SPRING	1				0.001	0.0022
140	E7199-56110	LEVER GOVERNOR	1				0	0
150	E7199-56410	SPRING	1				0.002	0.0044
160	12499-56120	BOLT	1				0.009	0.0198
170	12499-56130	WASHER PLAIN	1				0.001	0.0022
180	12499-56140	NUT	1				0.002	0.0044
190	E7199-55290	COMP.GEAR GOVERNOR	1				0.02	0.044
200	E7199-55450	SLEEVE GOVERNOR	1				0.002	0.0044
210	12499-55460	WASHER PLAIN	1				0.001	0.0022
220	E7199-56170	SHAFT GOV.LEVER	1				0.037	0.0814



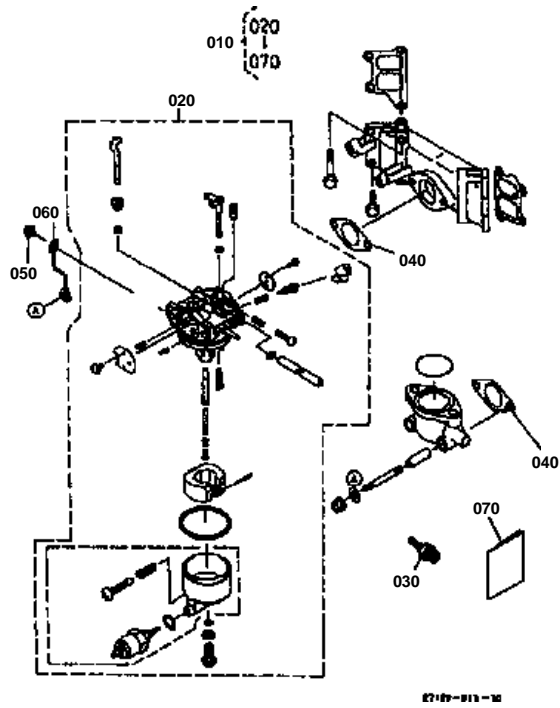
E7199-008-10

**CARBURETOR [COMPONENT PARTS]**

↔ Interchangeable; ≠ not interchangeable; ← new for old; → old for new

REF.No	Part No.	Description	Q'ty	S.No.	I/C	REMARKS	Weight (kgf)	Weight (lb)
010	E7199-11600	PIPE INTAKE	1				0.042	0.0924
020	E7199-11620	O RING	1				0.002	0.0044
030	E7199-46160	GASKET CARBURETTOR	2				0.001	0.0022
040	E7199-46140	STUD	2				0.052	0.1144
050	E7199-11610	COLLAR	2				0.007	0.0154
060	E7199-44010	ASSY CARBURETTOR	1				0	0
070	E7199-44300	SHAFT THROTTLE	1				0.013	0.0286
080	E7199-44320	VALVE THROTTLE	1				0.004	0.0088
090	12498-44330	SCREW PAN-HEAD	2				0.001	0.0022
100	12489-44570	SEAL	1				0.001	0.0022
110	E7199-44550	SHAFT CHOKE	1				0.004	0.0088
120	E7199-44530	VALVE CHOKE	1				0.005	0.011
130	12498-44520	SCREW PAN-HEAD	2				0.001	0.0022
140	12498-44560	COLLAR	1				0.001	0.0022
150	E7199-44660	COLLAR	1				0.001	0.0022
160	12498-44240	LIMITTER	1				0.001	0.0022
170	12498-44230	ADJUSTER	1				0.002	0.0044
180	12498-44812	SPRING	2				0.001	0.0022
190	E7199-44180	PILOT JET	1				0.001	0.0022
200	12499-44130	SCREW PAN-HEAD	1				0.002	0.0044
210	12499-44210	JET AIR	1				0.001	0.0022
220	E7199-44210	JET AIR	1				0.001	0.0022
230	E7199-30100	TUBE	1				0.003	0.0066
240	12499-44870	GASKET	1				0.001	0.0022
250	E7199-44110	NOZZLE MAIN(1)	1				0.004	0.0088
260	E7199-44120	NOZZLE MAIN(2)	1				0.001	0.0022
270	E7199-44250	HOLDER MAIN JET	1				0.001	0.0022
280	E7199-44260	MAIN JET	1				0.001	0.0022
290	E7199-44840	ASSY NEEDLE	1				0.001	0.0022
300	12498-44780	PIN	1				0.001	0.0022
310	12499-44720	FLOAT	1				0.01	0.022
320	12498-44750	GASKET	1				0.001	0.0022
330	E7199-44700	COMP.CHAMBER	1				0.11	0.242
340	12498-44710	WASHER PLAIN	1				0.001	0.0022
350	E7199-83500	SOLENOID	1				0.045	0.099
360	12499-44850	SPRING	1				0.01	0.022
370	E7199-44860	SCREW PAN-HEAD	1				0.003	0.0066
380	12499-96840	O RING	1				0.001	0.0022
390	E7199-44820	HOKDER JET	1				0.009	0.0198
400	E7199-11810	GASKET INTAKE MANIFO	1				0.002	0.0044
410	E7199-11820	GASKET INTAKE MANIFO	1				0.002	0.0044
420	E7199-11710	MANIFOLD INTAKE	1				0.25	0.55
430	E7199-91010	BOLT FLANGE	5				0.006	0.0132
440	E7199-91020	BOLT FLANGE	3				0.01	0.022
450	E7199-49130	WASHER PLAIN	2				0.001	0.0022
460	12499-26430	NUT	2				0.003	0.0066

# CARBURETOR

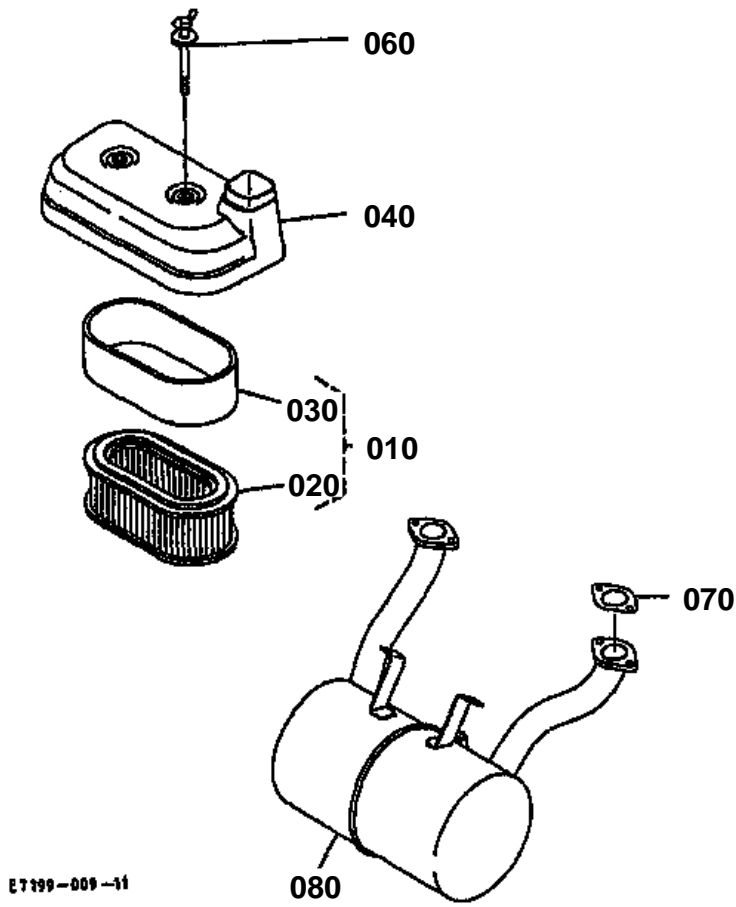




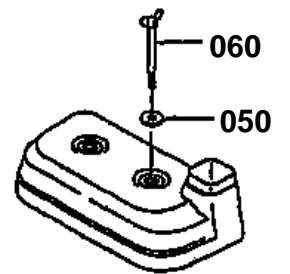
**CARBURETOR**  
Serial No. is machine serial No.

↔ Interchangeable; ≠ not interchangeable; ← new for old; → old for new

REF.No	Part No.	Description	Q'ty	S.No.	I/C	REMARKS	Weight (kgf)	Weight (lb)
010	E7199-80000	KIT CARBURETTOR	1	←=50876			0.43	0.946
020	E7199-44012	ASSY CARBURETTOR	1				0.3	0.66
030	E7199-67760	SPARK PLUG	2				0.04	0.088
040	E7199-46160	GASKET CARBURETTOR	2				0.001	0.0022
050	12499-49120	SCREW PAN-HEAD	1				0.003	0.0066
060	12498-49110	WIRE HARNESS	1				0.003	0.0066
070	E7199-80010	MANUAL INSTRUCTION	1				0	0



050 E7199-1117-0  
060 E7199-1118-0



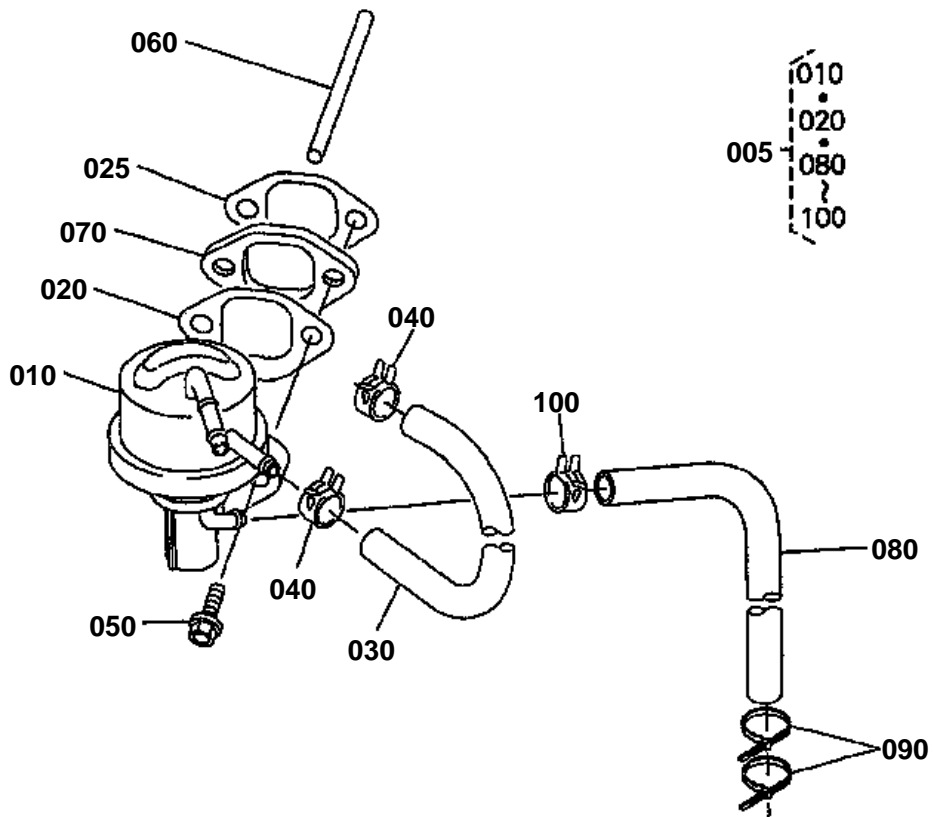
E7199-800-10

**AIR FILTER/MUFFLER**

↔ Interchangeable; ≠ not interchangeable; ← new for old; → old for new

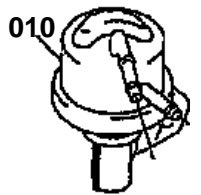
REF.No	Part No.	Description	Q'ty	S.No.	I/C	REMARKS	Weight (kgf)	Weight (lb)
010	E7199-11080	ASSY ELEMENT	1				0.107	0.2354
020	E7199-11210	ELEMENT	1				0.099	0.2178
030	E7199-11220	ELEMENT	1				0.008	0.0176
040	E7199-11160	CASE AIR CLEANER	1				0.25	0.55
050	E7199-11170	WASHER PLAIN	2	≤129921			0.01	0.022
060	E7199-11180	BOLT	2	≤129921			0	0
060	LE601-11180	BOLT	2	≥129922	←		0.027	0.0594
070	E7199-12230	GASKET MUFFLER	2				0.004	0.0088
080	E7199-66110	COMP.MUFFLER	1				3.06	6.732

FUEL PUMP



LE801-010-11

OLD PART



LE801-002-10

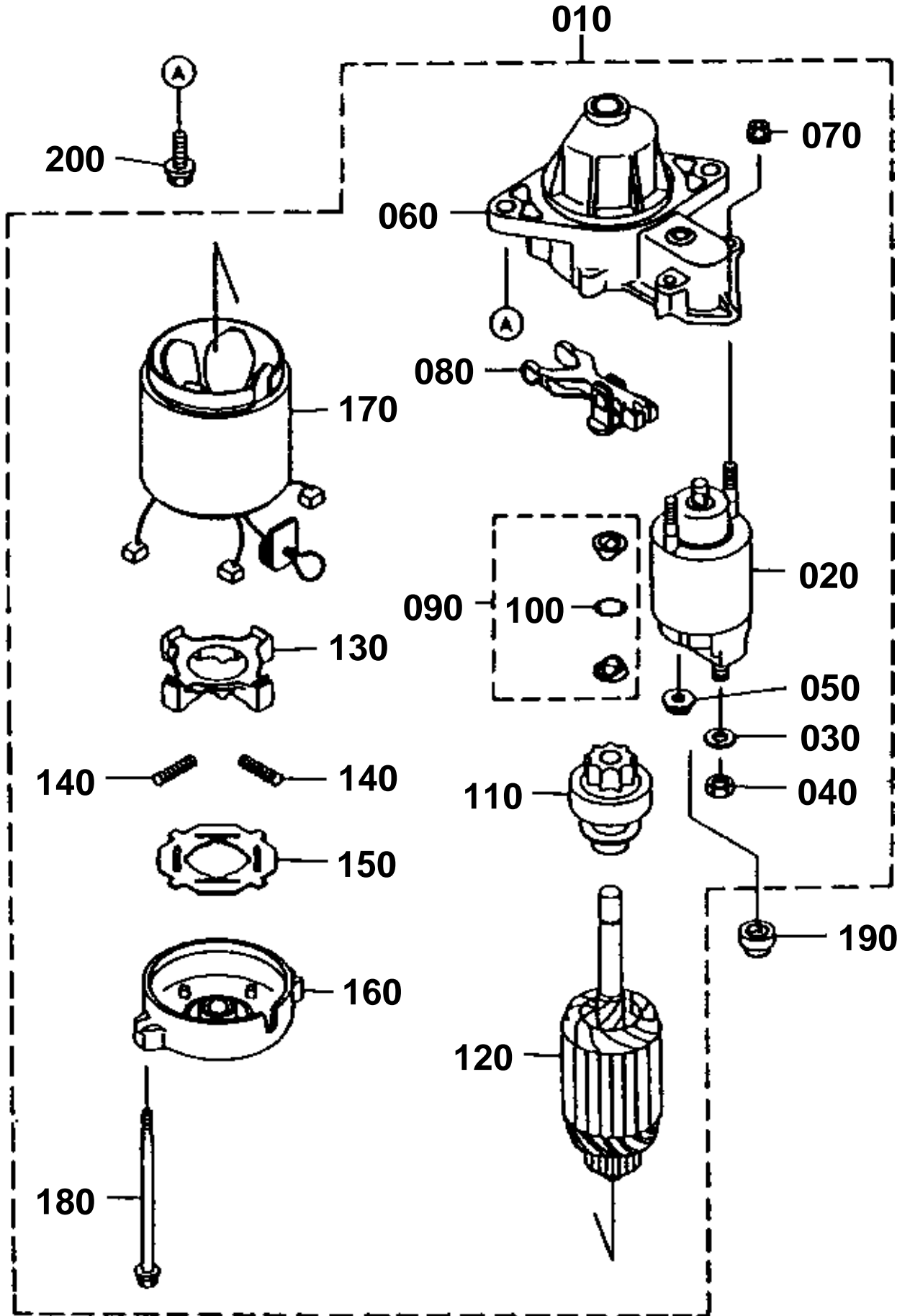


**FUEL PUMP**

↔ Interchangeable; ≠ not interchangeable; ← new for old; → old for new

REF.No	Part No.	Description	Q'ty	S.No.	I/C	REMARKS	Weight (kgf)	Weight (lb)
005	E7199-80020	KIT FUEL PUMP	1				0.32	0.704
010	E7199-43010	PUMP FUEL	1	<=60160		NOT SALE ORDER BY REF.No.005	0.15	0.33
010	LE601-43010	PUMP FUEL	1	>=60161	←	CHASSIS No.	0.5	1.1
020	E7199-43030	GASKET	1				0.001	0.0022
025	E7199-43030	GASKET	1				0.001	0.0022
030	12499-43090	TUBE	1				0.129	0.2838
040	12499-43082	CLAMP	2				0.002	0.0044
050	12499-63660	BOLT FLANGE	2				0.017	0.0374
060	E7199-43310	PUSH ROD	1				0.023	0.0506
070	E7199-43410	INSULATOR	1				0.011	0.0242
080	E7199-43090	TUBE	1	>=60161		CHASSIS No.	0.121	0.2662
090	LE601-68240	CLAMP	2	>=60161		CHASSIS No.	0	0
100	E7199-43080	CLAMP	1	>=60161		CHASSIS No.	0.002	0.0044

STARTER [COMPONENT PARTS]



E7199-031-10

**STARTER [COMPONENT PARTS]**

↔ Interchangeable; ≠ not interchangeable; ← new for old; → old for new

REF.No	Part No.	Description	Q'ty	S.No.	I/C	REMARKS	Weight (kgf)	Weight (lb)
010	E7199-63010	STARTER	1				3.4	7.48
020	12499-63020	SWITCH	1				0.6	1.32
030	12499-63030	WASHER SPRING	1				0.002	0.0044
040	12499-63080	NUT	1				0.004	0.0088
050	12499-63130	NUT	1				0.004	0.0088
060	E7199-63060	ASSY COVER	1				0.27	0.594
070	12499-63140	NUT	2				0.003	0.0066
080	12499-63050	LEVER SHIFT	1				0.02	0.044
090	E7199-93110	STOPPER	1				0	0
100	12499-63120	PIN SNAP	1				0.001	0.0022
110	E7199-63040	ASSY CLUTCH	1				0.1	0.22
120	12499-63070	ARMATURE	1				0.8	1.76
130	12499-63380	HOLDER BRUSH	1				0.015	0.033
140	12499-63390	SPRING BRUSH	4				0.01	0.022
150	12499-63680	INSULATOR	1				0.005	0.011
160	12499-63450	ASSY COVER	1				0.112	0.2464
170	12499-63440	BRUSH	4				0.01	0.022
180	12499-63430	BOLT	2				0.016	0.0352
190	12499-63670	COVER	1				0.002	0.0044
200	12498-35170	BOLT FLANGE	2				0.016	0.0352

010

IMPORTANT ENGINE INFORMATION	
THIS ENGINE MEETS EMISSIONS REGULATIONS FOR U.S. EPA PHASE II SMALL ENGINES AND 2000-2001 CALIFORNIA SI 80PES.	
FAMILY I.D. YKXS-4372CA	DATE OF MFG. 0100
DISPLACEMENT 437CC (0.437L)	
REFER TO OWNER'S MANUAL FOR MAINTENANCE SPECIFICATIONS AND ADJUSTMENTS.	
KUBOTA Corporation	

010 E7199-4731-0

010

<small>                 PREPARED BY: KUBOTA ENGINEERING                  DATE: 1999-03-10                  DRAWING NO: E7199-4731-0                  FILE: 010000_0100             </small>
---------------------------------------------------------------------------------------------------------------------------------------------------------------------------------------------------------

020

DUAL ELEMENT AIR CLEANER MAINTENANCE	
1.	_____
2.	_____
1.	_____
2.	_____
1.	_____
2.	_____
1.	_____
2.	_____

030 E7199-4721-0  
030 E7199-4722-0

030

BEFORE STARTING	
	_____
	_____
_____	_____
_____	_____

030

BEFORE STARTING	
_____	_____
_____	_____

E7199-012-12

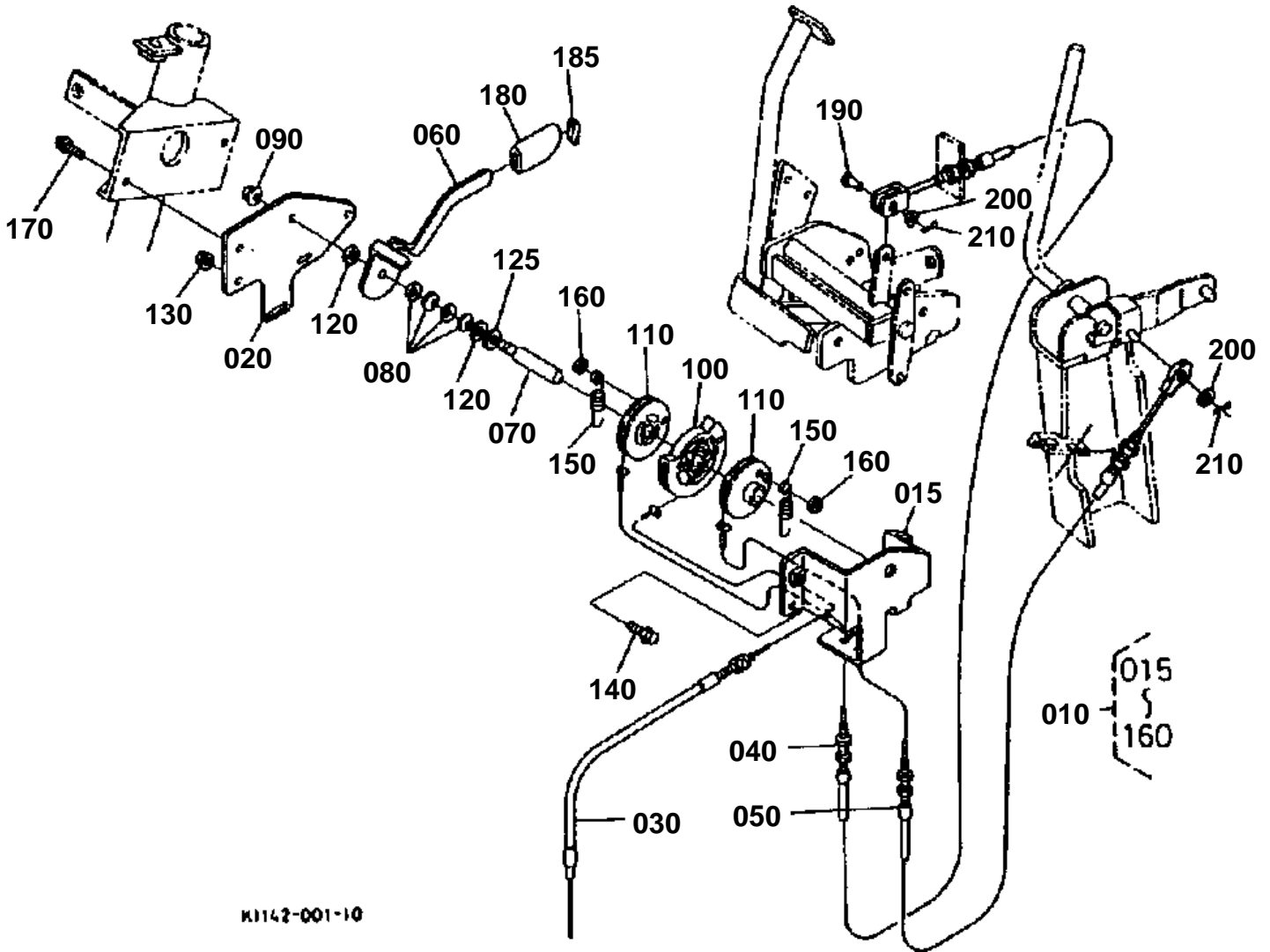
E7199-804-10

**LABEL (ENGINE)**

↔ Interchangeable; ≠ not interchangeable; ← new for old; → old for new

REF.No	Part No.	Description	Q'ty	S.No.	I/C	REMARKS	Weight (kgf)	Weight (lb)
010	E7199-47010	LABEL	1				0.018	0.0396
010	E7199-47310	LABEL	1	<=120760			0	0
010	E7199-47314	LABEL	1	>=120761	≠		0	0
020	E7199-47160	LABEL ELEMENT	1			ENGLISH	0.001	0.0022
020	E7199-47180	LABEL ELEMENT	1			FRENCH GERMAN	0.001	0.0022
030	E7199-47210	LABEL OIL	1	<=117404		ENGLISH	0.001	0.0022
030	E7199-47230	LABEL OIL	1	>=117405	≠	ENGLISH	0	0
030	E7199-47220	LABEL OIL	1	<=117404		FRENCH GERMAN	0.001	0.0022
030	E7199-47240	LABEL OIL	1	>=117405	≠	FRENCH GERMAN	0	0

ACCEL LEVER



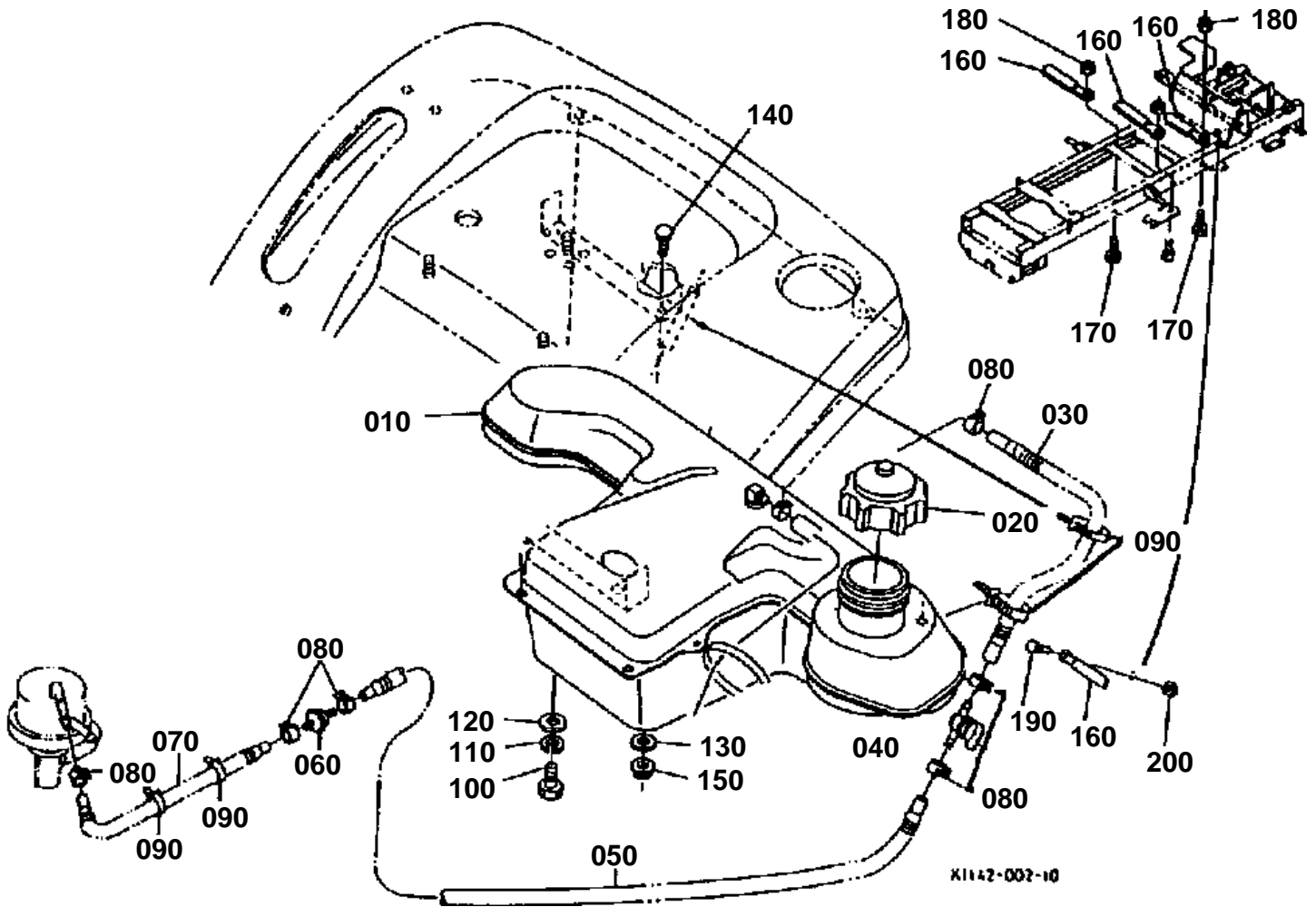
K1142-001-10

**ACCEL LEVER**

↔ Interchangeable; ≠ not interchangeable; ← new for old; → old for new

REF.No	Part No.	Description	Q'ty	S.No.	I/C	REMARKS	Weight (kgf)	Weight (lb)
010	K1142-45112	ASSY AUTOACCEL	1				0	0
015	K1122-89334	BRACKET 1ATA	1				0	0
020	K1122-89343	BRACKET 2 ATA	1				0	0
030	K1142-89410	CABLE 1 ATA ENGINE	1				0.1	0.22
040	K1122-89422	CABLE 2ATA SPEED	1				0	0
050	K1122-89433	CABLE 3ATA PTO	1				0	0
060	K1122-89370	LEVER ATA	1				0.065	0.143
070	K1122-89312	SHAFT ATA	1				0	0
080	K1122-89472	DISK SPRING	4				0	0
090	K5112-72840	HEX.LOCKNUT	1			(M8 X 1.25)	0.005	0.011
100	K1122-89350	PULLEY CENTER	1				0.025	0.055
110	K1122-89360	PULLEY SIDE	2				0.016	0.0352
120	K1122-89512	WASHER ATA	2				0	0
125	K1122-89520	WASHER ATA 2	1				0.004	0.0088
130	02751-50060	NUT FLANGE	1			(M6 X 1.0)	0.005	0.011
140	01754-50616	BOLT FLANGE	1			(M6 X 1.0 X 16)	0.006	0.0132
150	K1122-89383	SPRING ATA	2				0	0
160	K1122-89480	NUT PUSH	2				0.001	0.0022
170	01754-50820	BOLT FLANGE	2			(M8 X 1.25 X 20)	0.015	0.033
180	K1122-45123	GRIP ACCEL	1				0	0
185	K1122-65240	MARK GRIP ACCEL	1				0.001	0.0022
190	75599-51112	PIN CLEVIS	1			(1/4 X 5/8)	0.005	0.011
200	75599-32011	WASHER PLAIN	2			(1/4)	0.001	0.0022
210	75599-53152	PIN COTTER	2				0.001	0.0022

# FUEL TANK



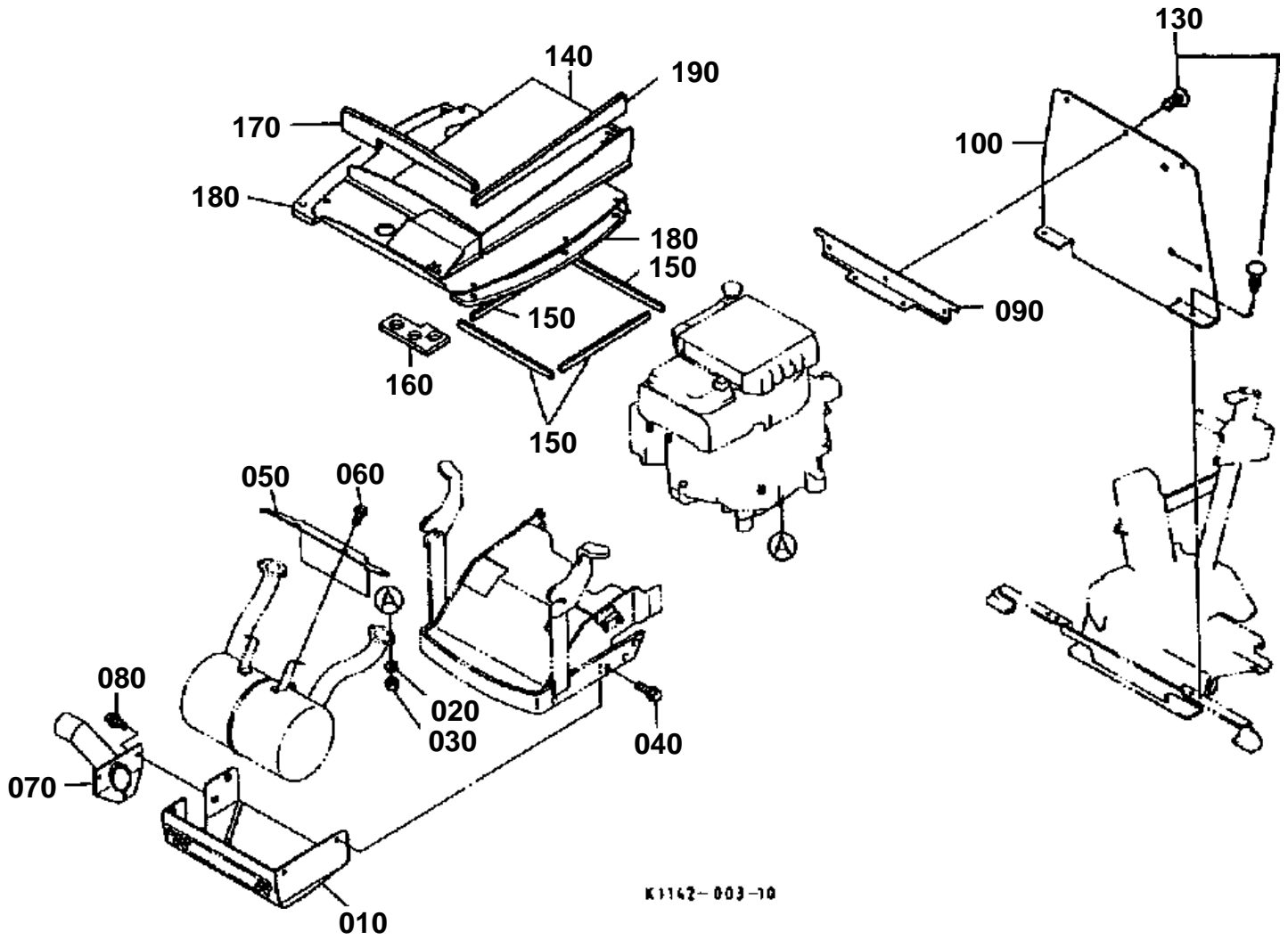


**FUEL TANK**

↔ Interchangeable; ≠ not interchangeable; ← new for old; → old for new

REF.No	Part No.	Description	Q'ty	S.No.	I/C	REMARKS	Weight (kgf)	Weight (lb)
010	K1221-24010	TANK FUEL	1				0	0
020	K1211-24120	CAP FUEL	1				0.1	0.22
030	K1142-24022	ASSY HOSE FUEL 1	1				0	0
040	K1142-24260	VALVE FUEL	1				0.01	0.022
050	K1142-24032	ASSY HOSE FUEL 2	1				0	0
060	K1122-24140	FILTER FUEL	1				0.006	0.0132
070	K1142-24042	ASSY HOSE FUEL 3	1				0	0
080	09318-88105	HOSE BAND(LEAF TYPE)	6				0.01	0.022
090	K1122-61230	CABLE TIE	4				0.001	0.0022
100	01053-51018	HEX.BOLT	2			(M10 X 1.5 X 18)	0.02	0.044
110	04512-50100	WSHER SPRING LOCK	2			(M10)	0	0
120	K1122-21160	WASHER PLAIN	2				0.006	0.0132
130	K5112-72830	WASHER PLAIN	2				0.005	0.011
140	K1122-91320	BOLT SHORT SQU.NECK	2			(M8 X 1.25)	0.01	0.022
150	02751-50080	NUT FLANGE	2			(M8 X 1.25)	0.006	0.0132
160	13824-67590	CLAMP	4				0.002	0.0044
170	01754-50820	BOLT FLANGE	2			(M8 X 1.25 X 20)	0.015	0.033
180	02751-50080	NUT FLANGE	2			(M8 X 1.25)	0.006	0.0132
190	01754-50616	BOLT FLANGE	1			(M6 X 1.0 X 16)	0.006	0.0132
200	02751-50060	NUT FLANGE	1			(M6 X 1.0)	0.005	0.011

MUFFLER COVER

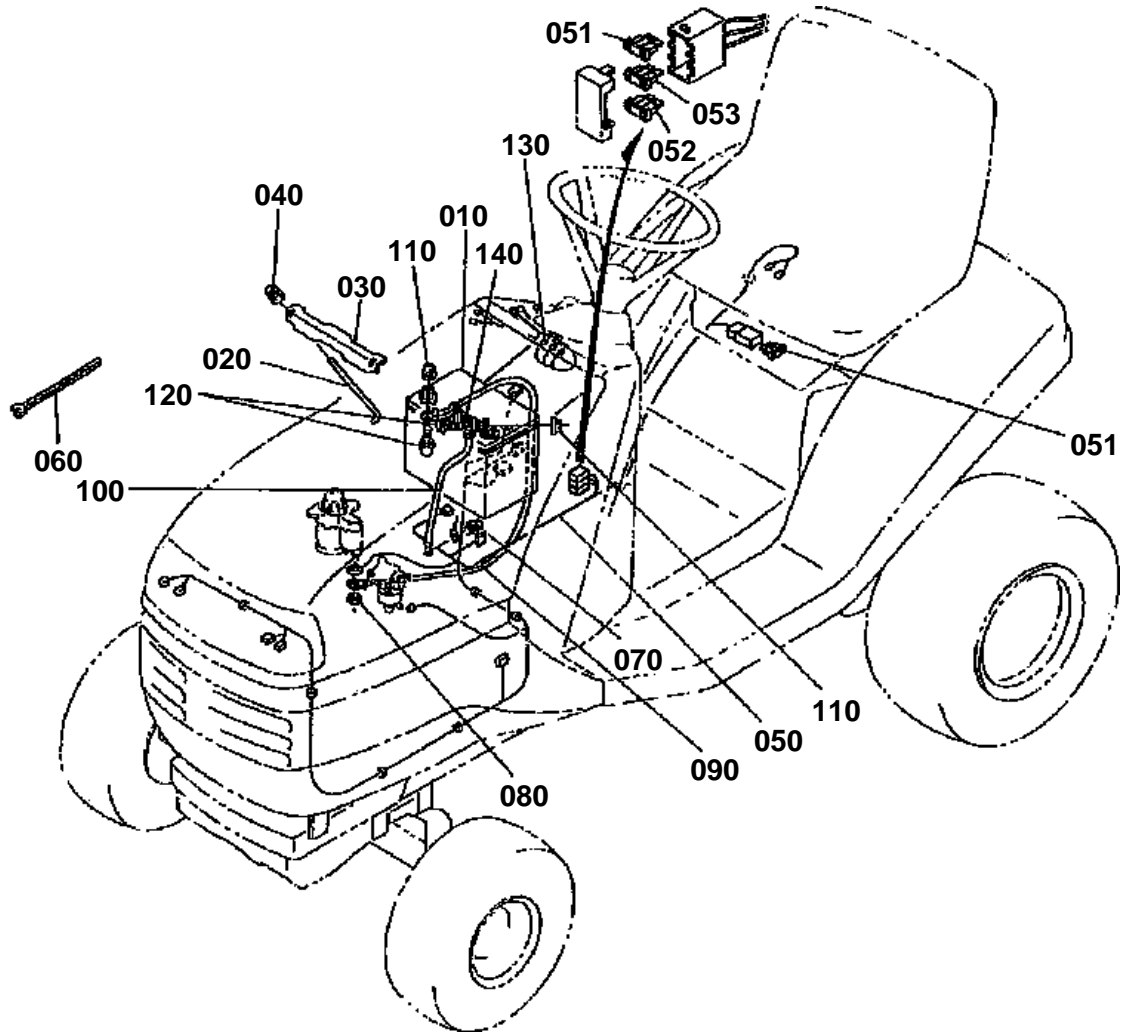


**MUFFLER COVER**

↔ Interchangeable; ≠ not interchangeable; ← new for old; → old for new

REF.No	Part No.	Description	Q'ty	S.No.	I/C	REMARKS	Weight (kgf)	Weight (lb)
010	K1142-25210	COVER MUFFLER	1				0.72	1.584
020	75599-33011	WASHER SPRING	4			(1/4)	0.002	0.0044
030	02014-50060	HEX.NUT	4			(M6 X 1.0)	0.002	0.0044
040	01754-50616	BOLT FLANGE	4			(M6 X 1.0 X 16)	0.006	0.0132
050	K1142-25220	PLATE AIR GUIDE	1				0.27	0.594
060	01754-50612	BOLT FLANGE	3			(M6 X 1.0 X 12)	0.005	0.011
070	K1142-25232	PIPE TAIL	1				0	0
080	01754-50612	BOLT FLANGE	3			(M6 X 1.0 X 12)	0.005	0.011
090	K1142-25350	STAY RUBBER SHEET	1				0.29	0.638
100	K1142-25360	SHEET RUBBER 1	1				0.008	0.0176
130	K1211-84560	PUSH RIVET	5			(1/4)	0.002	0.0044
140	K1142-25312	COVER INTAKE	1				0	0
150	K1142-25330	SPONGE 2	4				0.01	0.022
160	K1142-25340	SPONGE 3	1				0.02	0.044
170	K1142-25370	SPONGE 4	1				0.012	0.0264
180	K1142-25390	SHEET RUBBER 2	2				0.036	0.0792
190	K1142-25420	SPONGE 5	1				0.01	0.022

BATTERY/WIRE HARNESS



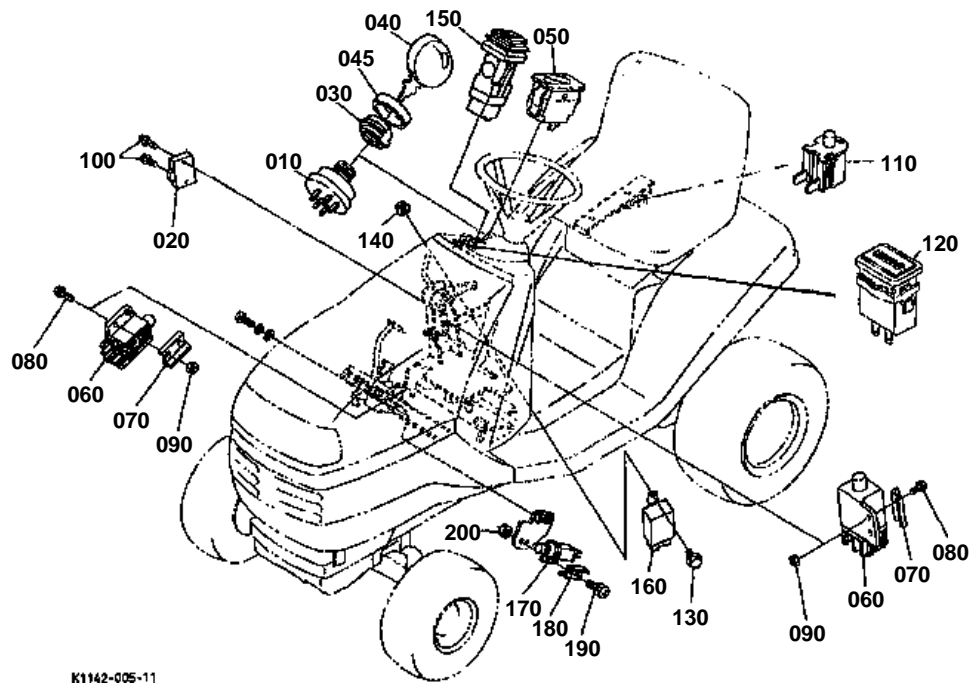
K1120-008-20

**BATTERY/WIRE HARNESS**

↔ Interchangeable; ≠ not interchangeable; ← new for old; → old for new

REF.No	Part No.	Description	Q'ty	S.No.	I/C	REMARKS	Weight (kgf)	Weight (lb)
010	K1221-61140	BATTERY	1				0	0
020	K1122-61132	ROD BATTERY	2				0	0
030	K1122-61120	HOLDER BATTERY	1				0.22	0.484
040	02751-50060	NUT FLANGE	2			(M6 X 1.0)	0.005	0.011
050	K1142-61224	ASSY WIRE HARNESS	1	<=59999			0	0
050	K1152-61510	ASSY WIRE HARNESS	1	>=60001	≠		0.76	1.672
051	48200-55870	FUSE	2	>=60001		3A	0.001	0.0022
052	35820-75560	FUSE	1			15A	0.002	0.0044
053	36919-56650	FUSE	1			20A	0.002	0.0044
060	K1122-61230	CABLE TIE	14				0.001	0.0022
070	01754-50616	BOLT FLANGE	1			(M6 X 1.0 X 16)	0.006	0.0132
080	02751-50080	NUT FLANGE	1			(M8 X 1.25)	0.006	0.0132
090	K1122-61313	CABLE BATTERY(+)	1				0	0
100	K1122-61353	CABLE BATTERY(-)	1				0	0
110	02751-50060	NUT FLANGE	2			(M6 X 1.0)	0.005	0.011
120	01754-50616	BOLT FLANGE	2			(M6 X 1.0 X 16)	0.006	0.0132
130	K1142-62350	BULB CHECKER	3				0.01	0.022
140	K1221-61170	LABEL	1	>=60001			0.001	0.0022

# ELECTRICAL SYSTEM

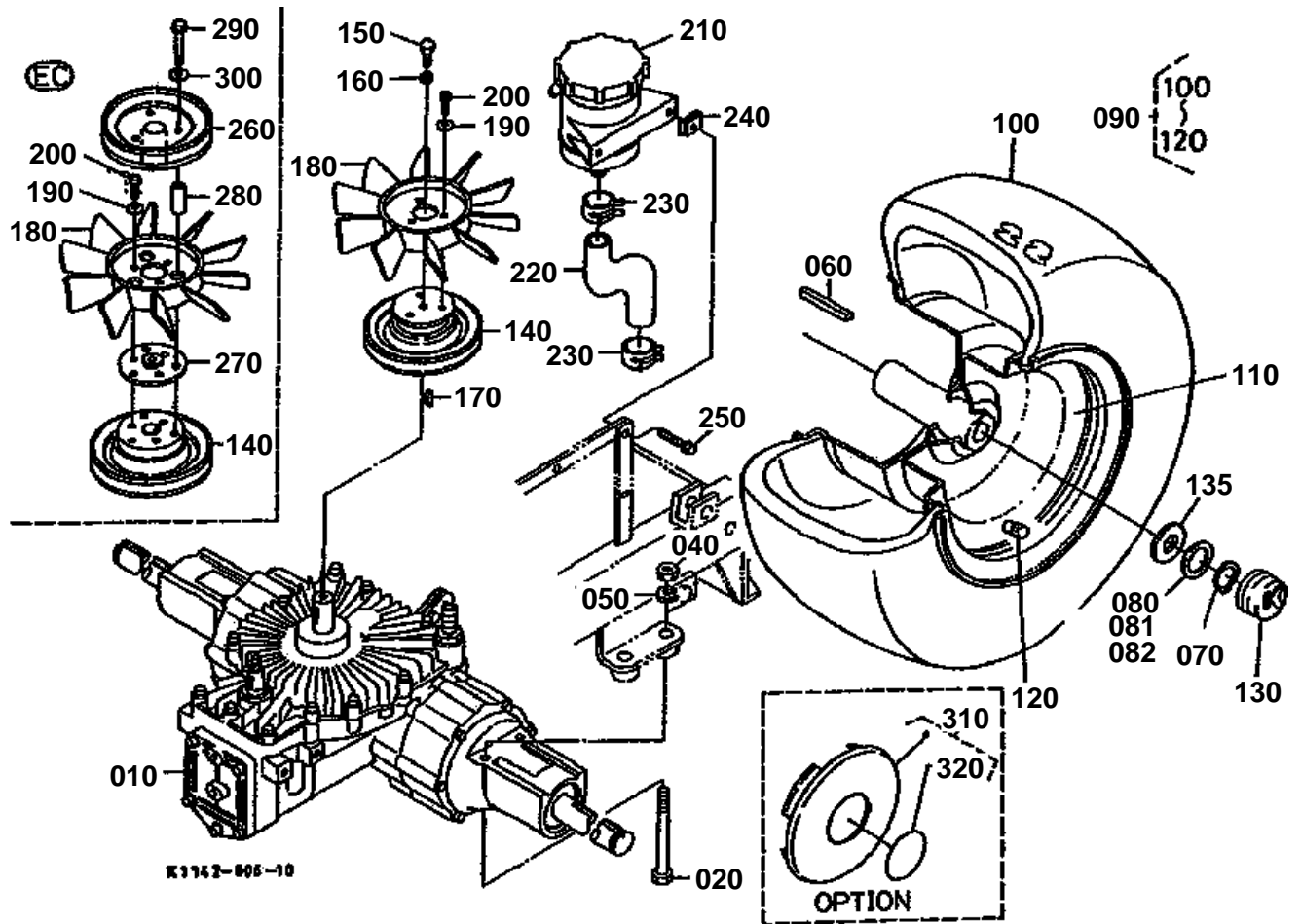


K1142-005-11

**ELECTRICAL SYSTEM**

↔ Interchangeable; ≠ not interchangeable; ← new for old; → old for new

REF.No	Part No.	Description	Q'ty	S.No.	I/C	REMARKS	Weight (kgf)	Weight (lb)
010	K1122-62112	SWITCH MAIN	1				0	0
020	12499-64600	COMP.REGULATOR	1				0	0
030	K1122-62152	NUT SWITCH MAIN	1				0	0
040	K1122-62132	KEY MAIN SWITCH	2				0	0
045	K1122-62160	COVER MAIN SWITCH	2				0.004	0.0088
050	K1122-62210	SWITCH LIGHT	1				0.018	0.0396
060	K1122-62252	SWITCH SAFETY	2				0	0
070	K1122-62314	RETAINER SWITCH	2				0	0
080	03024-50520	SCREW WITH WASHER	4			(M5 X 0.8 X 20)	0.004	0.0088
090	02054-50050	HEX.NUT	4			(M5 X 0.8)	0.002	0.0044
100	01754-50625	BOLT FLANGE	2			(M6 X 1.0 X 25)	0.008	0.0176
110	K1122-62282	SWITCH SEAT	1				0	0
120	K1122-95820	METER HOUR	1				0.1	0.22
130	01754-50616	BOLT FLANGE	1	>=60001			0.006	0.0132
140	02751-50060	NUT FLANGE	1	>=60001			0.005	0.011
150	K2110-62810	SWITCH NMR	1	>=60001			0.019	0.0418
160	K2110-62830	RELAY UNIT NMR	1	>=60001			0.085	0.187
170	K2110-62840	SWITCH REVERSE	1	>=60001			0.018	0.0396
180	K1122-62310	RETAINER SWITCH	1	>=60001			0.003	0.0066
190	03024-50520	SCREW WITH WASHER	2	>=60001			0.004	0.0088
200	02054-50050	NUT	2	>=60001			0.002	0.0044



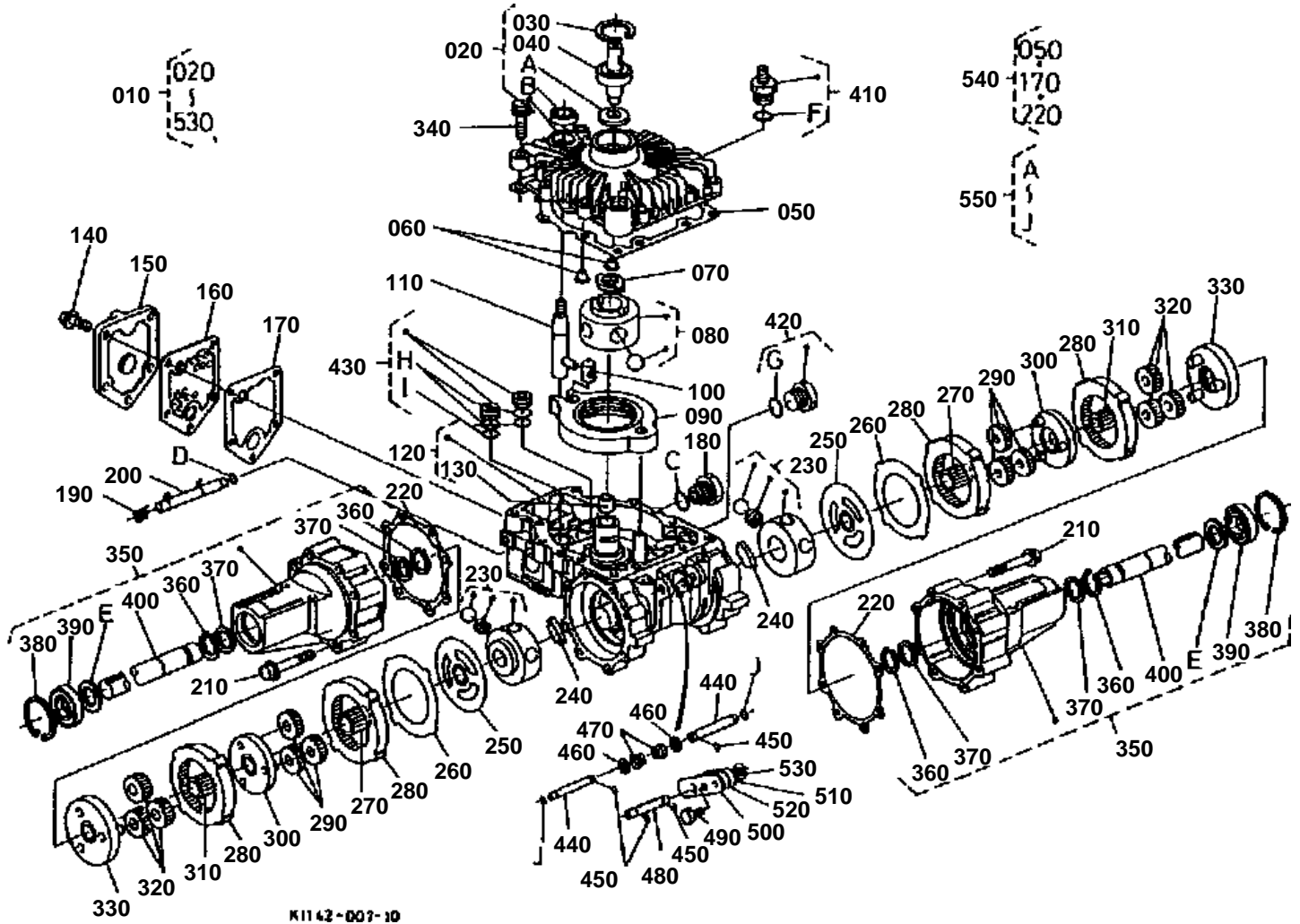




# HST/REAR WHEEL

↔ Interchangeable; ≠ not interchangeable; ← new for old; → old for new

REF.No	Part No.	Description	Q'ty	S.No.	I/C	REMARKS	Weight (kgf)	Weight (lb)
010	K1142-11112	ASSY HST TRANSAXLE	1				0	0
020	01073-51095	HEX.BOLT	4			(M10 X 1.25 X 95)	0.068	0.1496
030	99999-99999	BLANK	0				0	0
040	02018-50100	HEX.NUT	4			(M10 X 1.25)	0.011	0.0242
050	04512-50100	WASHER SPRING LOCK	4			(M10)	0	0
060	K1142-11210	KEY	2				0.01	0.022
070	K1142-11720	CIRCLIP	2				0.003	0.0066
080	K1142-11240	WASHER 1	2			0.64mm	0.003	0.0066
081	K1142-11250	WASHER 2	2			1.22mm	0.005	0.011
082	K1142-11260	WASHER 3	2			1.91mm	0.008	0.0176
082	K1142-11270	WASHER 4	2			2.95mm	0.16	0.352
090	K1152-11710	ASSY TIRE WHEEL REAR	2				9.45	20.79
100	K1132-11810	TIRE	2			20 X 10.00-8	6	13.2
110	K1142-11820	WHEEL	2			10.00-8	3.5	7.7
120	K1122-11830	VALVE STEM	2				0	0
130	K1122-15780	CAP FRONT WHEEL	2				0.02	0.044
135	K1142-11740	WASHER CAP	2				0.015	0.033
140	K1142-11132	PULLY HST	1				0	0
140	K1143-11130	PULLY HST	1			[EC]	0.62	1.364
150	75599-01112	BOLT FLANGE	1			(1/4-20UNC X 5/8)	0.003	0.0066
150	75599-01115	BOLT FLANGE	1			[EC] (1/4-20UNC X 5/8)	0.007	0.0154
160	75599-33011	WASHER SPRING LOCK	1			(1/4)	0.002	0.0044
170	K1142-11150	KEY	1			(3/16 X 5/8)	0.004	0.0088
180	K1122-11142	FAN	1				0	0
180	K1143-11140	FAN	1			[EC]	0.08	0.176
190	75599-32008	WASHER PLAIN	3			(#10)	0.001	0.0022
200	03024-50516	SCREW WITH WASHER	3			(M5 X 0.8 X 16)	0.004	0.0088
210	K1142-11160	TANK	1				0.12	0.264
220	K1152-11170	TUBE BREATHER	1				0.09	0.198
230	K1142-11180	CLAMP HOSE	2				0.01	0.022
240	K1122-91800	NUT SPRING	2			(M6 X 1.0)	0.004	0.0088
250	01754-50616	BOLT FLANGE	2			(M6 X 1.0 X 16)	0.006	0.0132
260	K1143-11210	PULLY GC	1			[EC]	0.31	0.682
270	K1143-11232	FLANGE HST PULLEY	1			[EC]	0	0
280	K1143-11220	COLLAR GC PULLEY	3			[EC]	0.02	0.044
290	01053-50645	BOLT HEX	3			[EC] (M6 X 1.0 X 45)	0.012	0.0264
300	75599-33011	WASHER SPRING LOCK	3			[EC]	0.002	0.0044
310	66190-56472	CAP WHEEL 8	2			OPTION	0	0
320	66190-17480	LABEL	2			OPTION	0.005	0.011



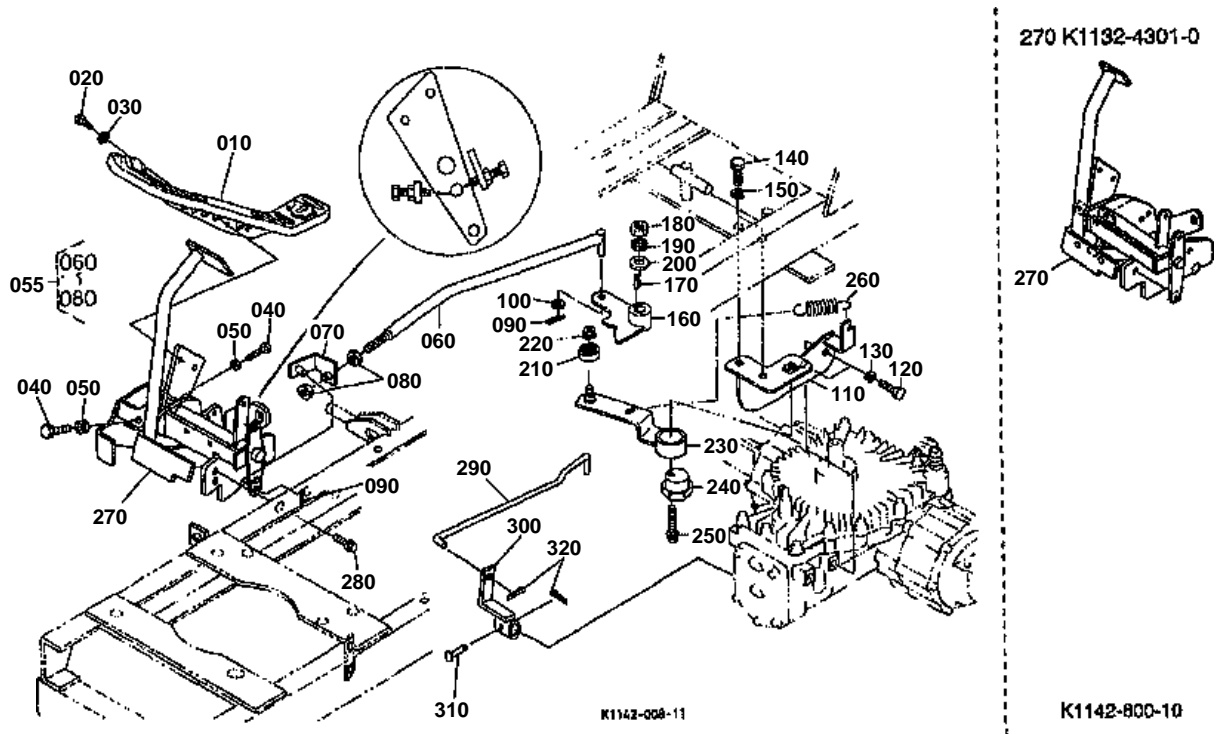


## HST [COMPONENT PARTS]

↔ Interchangeable; ≠ not interchangeable; ← new for old; → old for new

REF.No	Part No.	Description	Q'ty	S.No.	I/C	REMARKS	Weight (kgf)	Weight (lb)
010	K1142-11110	HST ASSY(TRANSAXLE)	1				23.8	52.36
020	66071-81310	ASSY COVER	1				1.04	2.288
030	66091-81330	CIR CLIP INTERNAL	1				0.005	0.011
040	66071-81320	ASSY SHAFT INPUT	1				0.18	0.396
050	66091-81170	GASKET COVER	1				0.007	0.0154
060	66091-81560	BUTTON	2				0.008	0.0176
070	66091-81720	COUPLING	1				0.03	0.066
080	66091-81450	ASSY PUMP	1				0.78	1.716
090	66091-81460	RING CAM	1				1.02	2.244
100	66091-81470	PIN CAM RING	1				0.026	0.0572
110	66091-81480	SHAFT CONTROL	1				0.16	0.352
120	66071-81350	CASE HOUSING	1				5.46	12.012
130	66091-81370	BEARING NEEDLE	1				0.005	0.011
140	66091-81570	BOLT	5				0.009	0.0198
150	66071-81360	COVER VALVE	1				0.16	0.352
160	66071-81370	FILTER	1				0.027	0.0594
170	66071-81380	GASKET COVER	1				0.002	0.0044
180	66091-81490	NUT	1				0.015	0.033
190	66091-81520	SPRING	1				0.003	0.0066
200	66091-81530	BRACKET	1				0.037	0.0814
210	66071-81390	BOLT	16				0.017	0.0374
220	66071-81410	GASKET HOUSING	2				0.002	0.0044
230	88091-81730	ASSY MOTOR	2				0	0
240	66071-81420	PAD FRICTION	2				0.024	0.0528
250	66071-81430	PLATE REACTION	2				0.075	0.165
260	66071-81440	PLATE BACK UP	2				0.082	0.1804
270	66071-81450	GEAR SUN 1ST	2			18T	0.098	0.2156
280	66071-81460	GEAR RING	4			54T	0.385	0.847
290	66071-81470	GEAR PLANET 1ST	6			18T	0.057	0.1254
300	66071-81480	CARRIER 1ST	2				0.32	0.704
310	66071-81490	GEAR SUN 2ND	2			18T	0.075	0.165
320	66071-81510	GEAR PLANTE 2ND	6			18T	0.047	0.1034
330	66071-81520	CARRIER 2ND	2				0.64	1.408
340	66091-81680	BOLT	13				0.008	0.0176
350	K1142-81900	ASSY CASE AXLE	2				2.54	5.588
360	66091-81650	CIR CLIP EXTERNAL	4				0.004	0.0088
370	66091-81660	COLLAR THRUST	4				0.008	0.0176
380	66091-81620	CIR CLIP INTERNAL	2				0.008	0.0176
390	66091-81640	BEARING BALL	2				0.126	0.2772
400	K1142-81910	SHAFT AXLE	2				1.04	2.288
410	66071-81570	JOINT PIPE	1				0.008	0.0176
420	66071-81580	PLUG	1				0.068	0.1496
430	K1142-81922	ASSY PISTON	2				0	0
440	66071-81610	ROD PUSH	2				0.038	0.0836
450	66071-81622	CIR-CLIP EXTERNAL	4				0	0
460	66071-81630	BASE SPRING	2				0.002	0.0044
470	66071-81640	SPRING	2				0.004	0.0088
480	66071-81650	SHAFT BRAKE	1				0.045	0.099
490	66071-81660	CAP BOLT	1				0.006	0.0132
500	66071-81670	LEVER BRAKE RH	1				0.023	0.0506
510	66071-81680	LEVER BRAKE LH	1				0.057	0.1254
520	66071-81690	SHIM	1				0.01	0.022
530	66071-81710	NUT	1				0.004	0.0088
540	66071-81720	KIT GASKET	1			OPTION	0.02	0.044
550	66071-81730	KIT SEAL	1			OPTION	0.032	0.0704

# SPEED CHANGE PEDAL



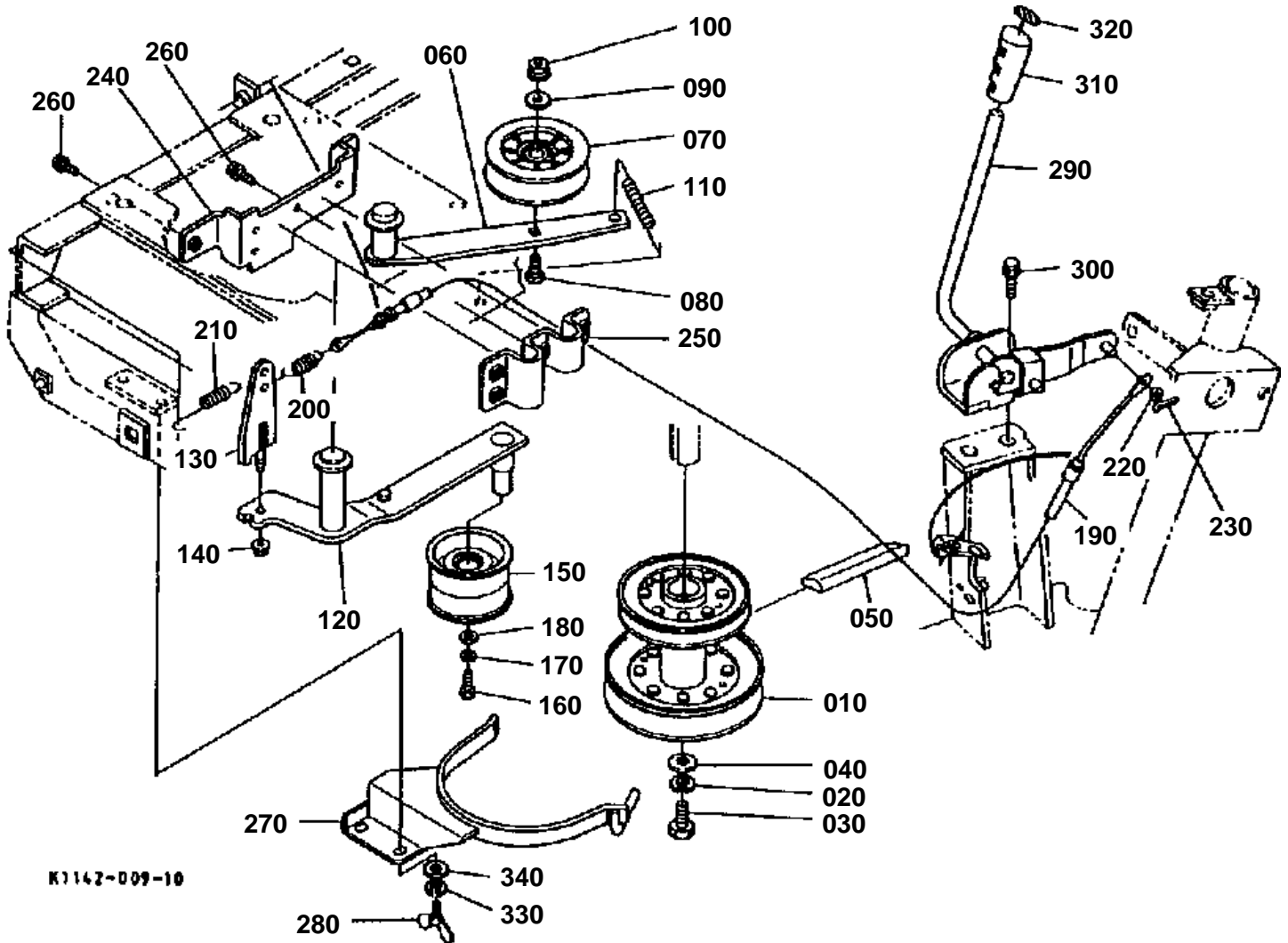


**SPEED CHANGE PEDAL**

↔ Interchangeable; ≠ not interchangeable; ← new for old; → old for new

REF.No	Part No.	Description	Q'ty	S.No.	I/C	REMARKS	Weight (kgf)	Weight (lb)
010	K1122-42010	PEDAL SPEED CHANGE	1				0.54	1.188
020	01053-50818	HEX BOLT	2				0.011	0.0242
030	75599-33012	WASHER SPRING LOCK	2				0.002	0.0044
040	01155-50840	HEX.BOLT FULL THD.	2			(M8 X 1.25 X 40)	0.02	0.044
050	02054-50080	HEX.NUT	2			(M8 X 1.25)	0.005	0.011
055	K1142-42000	COMP.ROD SPEED CHANG	2				0.73	1.606
060	K1142-42022	ROD SPEED CHANGE	1				0	0
070	K1142-42122	BRACKET L	1				0	0
080	02018-50100	HEX.NUT	2			(M10 X 1.25)	0.011	0.0242
090	75599-53152	PIN COTTER	2			(3/32 X 3/4)	0.001	0.0022
100	75599-32012	WASHER PLAIN	1			(5/16)	0.002	0.0044
110	K1142-42112	HOLDER N.ARM	1				0	0
120	75599-01215	HEX.BOLT	2			(5/16-18UNC X 3/4)	0.011	0.0242
130	75599-33012	WASHER SPRING LOCK	2			(5/16)	0.002	0.0044
140	01053-51025	HEX.BOLT	2			(M10 X 1.5 X 25)	0.025	0.055
150	04512-50100	WASHER SPRING LOCK	2			(M10)	0	0
160	K1142-42030	ARM SPEED CHANGE	1				0.19	0.418
170	K1142-42130	KEY	1			(1/8 X 1/2)	0.002	0.0044
180	75599-31013	HEX.NUT	1			(3/8-16UNC)	0.006	0.0132
190	75599-33013	WASHER SPRING LOCK	1			(3/8)	0.006	0.0132
200	75599-32013	WASHER PLAIN	1			(3/8)	0.03	0.066
210	08141-06000	BEARING	1				0.017	0.0374
220	02751-50080	NUT FLANGE	1			(M8 X 1.25)	0.006	0.0132
230	K1142-42040	ARM NEUTRAL	1				0.24	0.528
240	K1122-42070	SHAFT HOLDER	1				0.14	0.308
250	01754-50840	BOLT FLANGE	1			(M8 X 1.25 X 40)	0.02	0.044
260	K1142-42090	SPRING NEUTRAL	1				0.03	0.066
270	K1132-43010	PEDAL SYSTEM COMP	1	≤59999			3.33	7.326
270	K1152-43010	PEDAL SYSTEM COMP	1	>=60001	≠		3.7	8.14
280	01754-50820	BOLT FLANGE	3			(M8 X 1.25 X 20)	0.015	0.033
290	K1142-11510	ROD HST BY PASS	1				0.094	0.2068
300	K1142-11520	ARM HST BY PASS	1				0.07	0.154
310	75599-51120	PIN CLEVIS	1			1/4 X 1	0.035	0.077
320	75599-53152	PIN COTTER	2				0.001	0.0022

TESION PULLEY/PTO LEVER



K1142-009-10

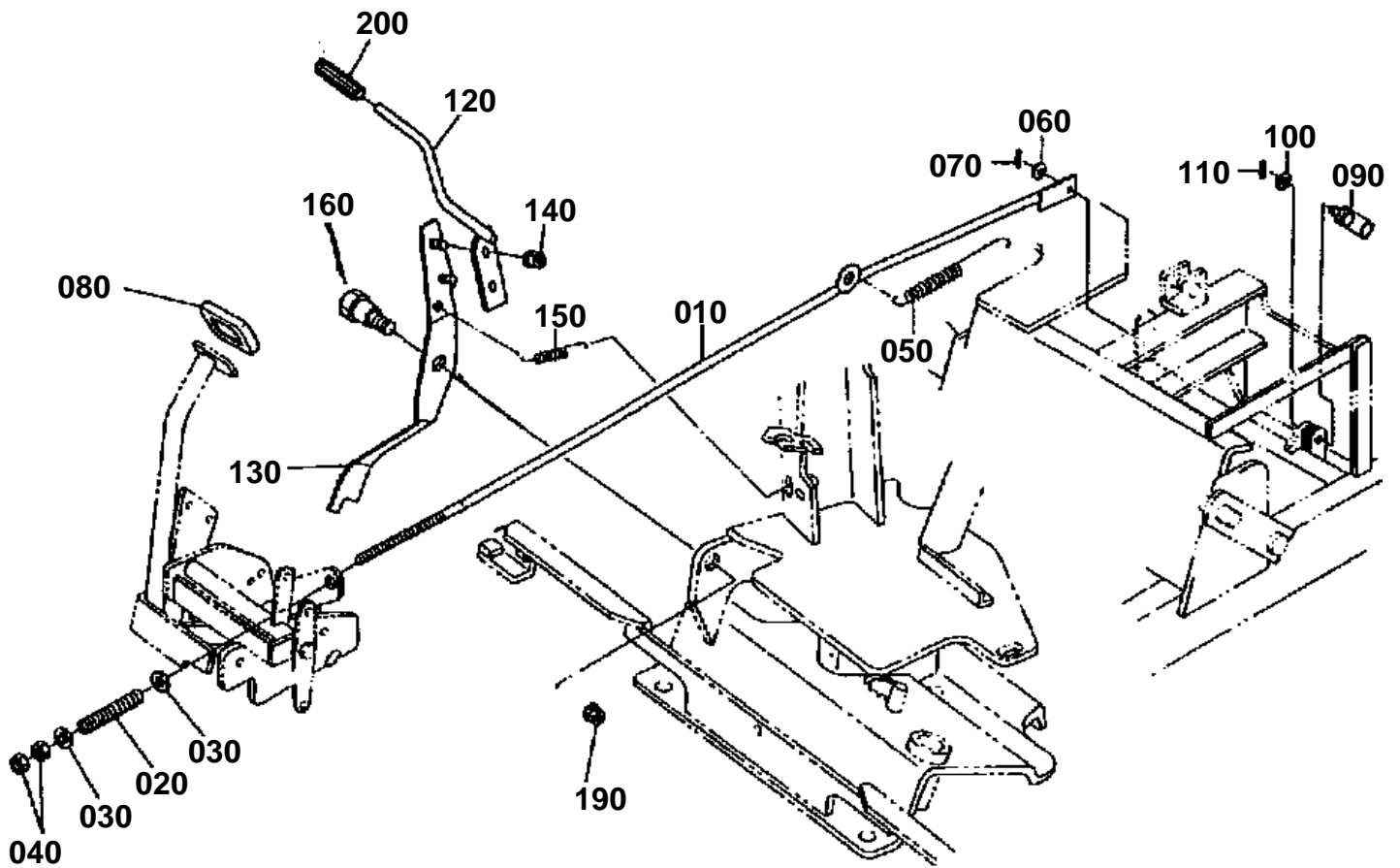


## TESION PULLEY/PTO LEVER

↔ Interchangeable; ≠ not interchangeable; ← new for old; → old for new

REF.No	Part No.	Description	Q'ty	S.No.	I/C	REMARKS	Weight (kgf)	Weight (lb)
010	K1122-26114	PULLEY ENGINE	1				0	0
020	04512-50100	WASHER SPRING LOCK	1				0	0
030	01053-51060	BOLT HEX	1			(M10 X 1.5 X 60)	0.04	0.088
040	75599-32013	WASHER PLAIN	1			(3/8)	0.03	0.066
050	K1142-26130	V-BELT	1			91	0.23	0.506
060	K1142-26220	ARM TENSION HST	1				0.4	0.88
070	K1122-26210	PULLEY TENSION HST	1				0.15	0.33
080	0Y169-50828	BOLT SHORT SQU.NECK	1			(1/2-20UNF)	0.06	0.132
090	75599-32015	WASHER PLAIN	1			(1/2)	0.01	0.022
100	0Y274-50080	NUT FLANGE	1			(1/2-20UNF)	0.002	0.0044
110	K1142-26250	SPRING TENSION HST	1				0.04	0.088
120	K1142-26320	ARM 1 TENSION PTO	1				0.77	1.694
130	K1122-26330	ARM 2 TENSION PTO	1				0.11	0.242
140	02751-50080	NUT FLANGE	1			(M8 X 1.25)	0.006	0.0132
150	K1122-26310	PULLY TENSION PTO	1				0.37	0.814
160	01053-50818	HEX.BOLT	1			(M8 X 1.25 X 18)	0.011	0.0242
170	75599-33012	WASHER SPRING LOCK	1			(5/16)	0.002	0.0044
180	K5112-72830	WASHER PLAIN	1				0.005	0.011
190	K1122-46124	WIRE PTO	1				0	0
200	K1122-26370	SPRING PTO	1				0.045	0.099
210	K1122-26380	SPRING RETURN	1				0.01	0.022
220	75599-32012	WASHER PLAIN	1			(5/16)	0.002	0.0044
230	75599-53171	PIN COTTER	1			(1/8 X 1/2)	0.001	0.0022
240	K1122-95630	BRACKET TENSION	1				0.4	0.88
250	K1122-26353	HOLDER TENSION	1				0	0
260	01754-50820	BOLT FLANGE	6			(M8 X 1.25 X 20)	0.015	0.033
270	K1142-26410	RETAINER BELT	1				0.45	0.99
280	01811-50815	BOLT WING	2			(M8 X 1.25 X 15)	0.025	0.055
290	K1122-46133	LEVER PTO COMP	1				0	0
300	01754-50820	BOLT FLANGE	2			(M8 X 1.25 X 20)	0.015	0.033
310	K1122-46112	GRIP PTO	1				0	0
320	K1122-65230	MARK GRIP PTO	1				0.001	0.0022
330	75599-33012	WASHER SPRING LOCK	2			(5/16)	0.002	0.0044
340	75599-32012	WASHER PLAIN	2			(5/16)	0.002	0.0044

BRAKE ROD/PARKING LOCK PEDAL



K1142-019-10

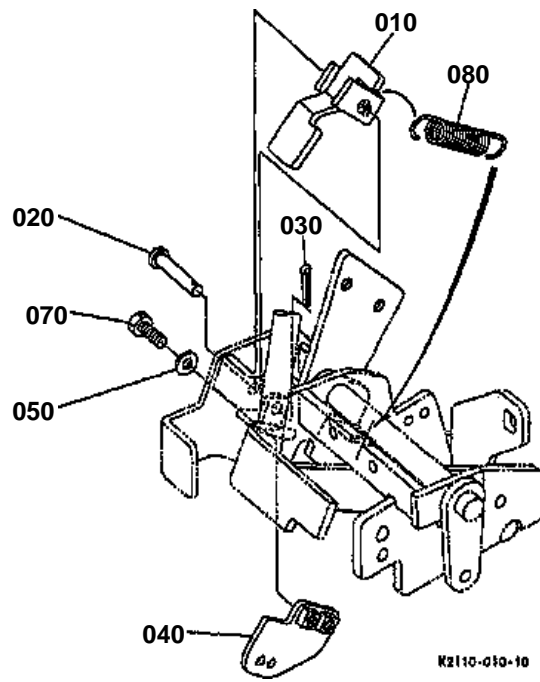


**BRAKE ROD/PARKING LOCK PEDAL**

↔ Interchangeable; ≠ not interchangeable; ← new for old; → old for new

REF.No	Part No.	Description	Q'ty	S.No.	I/C	REMARKS	Weight (kgf)	Weight (lb)
010	K1142-43113	ROD BRAKE	1				0	0
020	K1122-43120	SORING BRAKE	1				0.04	0.088
030	75599-32012	WASHER PLAIN	2			(5/16)	0.002	0.0044
040	02054-50080	HEX.NUT	2			(M8 X 1.25)	0.005	0.011
050	K1122-43142	SPRING RETURN BRAKE	1				0	0
060	75599-32012	WASHER PLAIN	1			(5/16)	0.002	0.0044
070	75599-53152	PIN COTTER	1			(3/32 X 3/4)	0.001	0.0022
080	K1122-43150	COVER BRAKE PEDAL	1				0.022	0.0484
090	K1122-43130	LINK BRAKE	1				0	0
100	75599-32011	WASHER PLAIN	2			(1/4)	0.001	0.0022
110	75599-53152	PIN COTTER	2			(3/32 X 3/4)	0.001	0.0022
120	K1142-43212	PEDAL RARKING LOCK	1				0	0
130	K1142-43222	LOCK BRAKE	1				0	0
140	02751-50080	NUT FLANGE	2			(M8 X 1.25)	0.006	0.0132
150	K1122-43230	SPRING PARKING LOCK	1				0.02	0.044
160	K1122-43280	BOLT SHOULDER	1				0.044	0.0968
190	K1122-91960	NUT FLANGE	1			(M10)	0.012	0.0264
200	K1122-43253	COVER PARKING BRAKE	1				0	0

# PARKING BRAKE LEVER



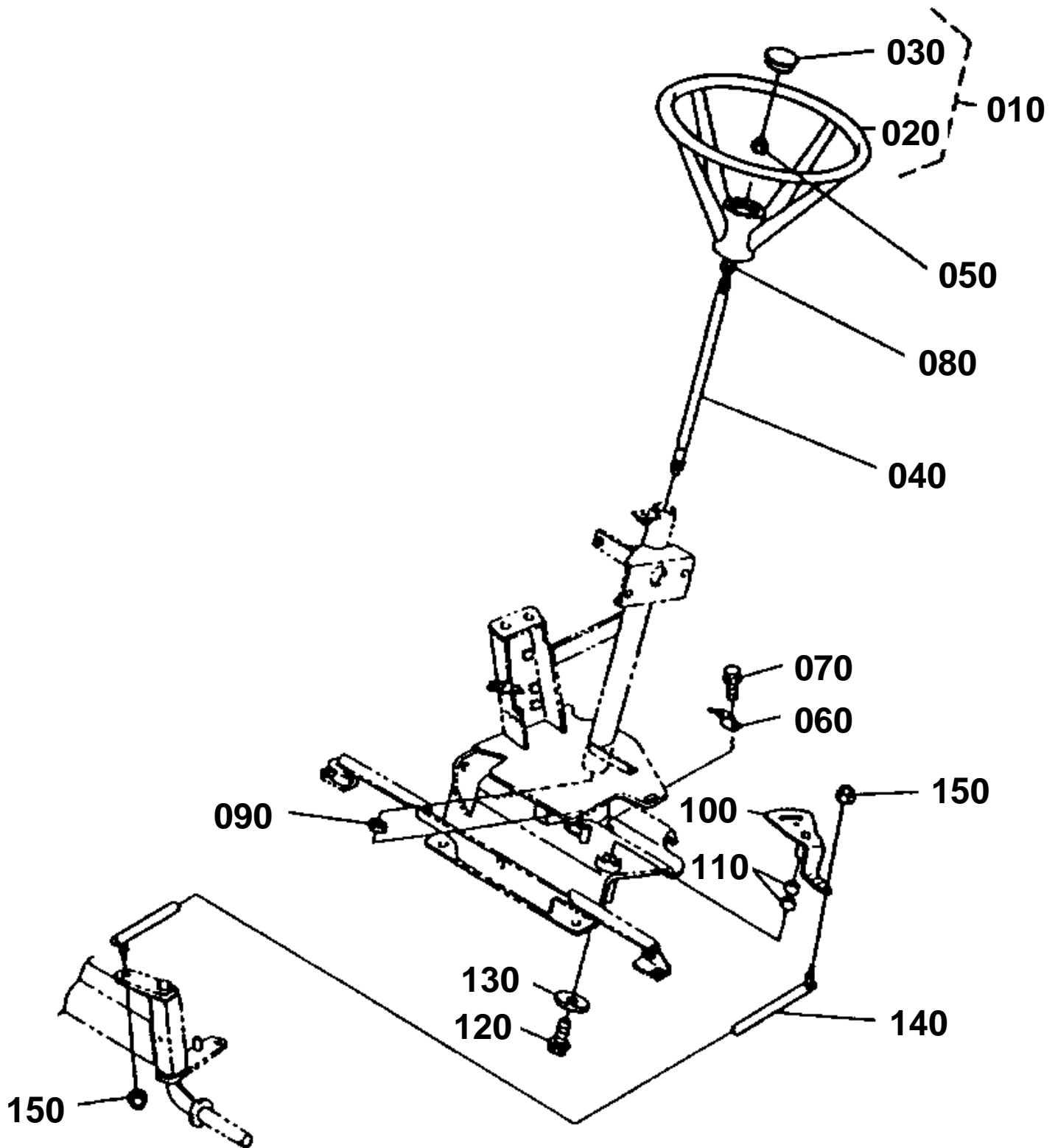


## PARKING BRAKE LEVER

↔ Interchangeable; ≠ not interchangeable; ← new for old; → old for new

REF.No	Part No.	Description	Q'ty	S.No.	I/C	REMARKS	Weight (kgf)	Weight (lb)
010	K2110-43510	LEVER SW-R	1	>=60001			0.08	0.176
020	75599-51227	PIN CLEVIS	1	>=60001			0.014	0.0308
030	75599-53171	PIN SPLIT	1	>=60001			0.001	0.0022
040	K2110-43520	PLATE SW-R	1	>=60001			0.055	0.121
050	75599-32111	WASHER PLAIN	2	>=60001			0.002	0.0044
060	99999-99999	BLANK	0				0	0
070	01754-50620	BOLT FLANGE	2	>=60001			0.007	0.0154
080	K1122-43230	SPRING PARKING LOCK	1	>=60001			0.02	0.044

STEERING WHEEL



K1142-011-10

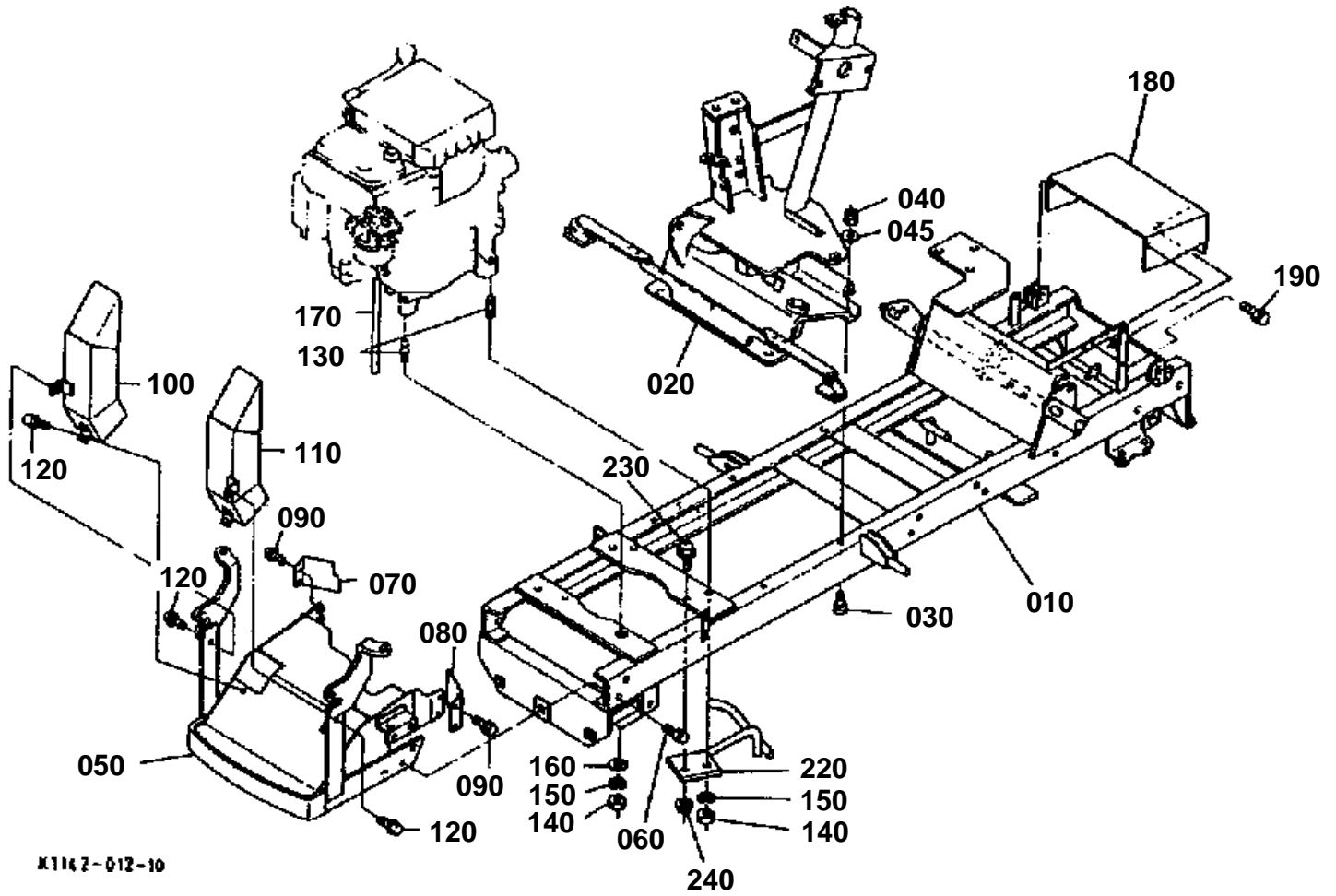


# STEERING WHEEL

↔ Interchangeable; ≠ not interchangeable; ← new for old; → old for new

REF.No	Part No.	Description	Q'ty	S.No.	I/C	REMARKS	Weight (kgf)	Weight (lb)
010	K1122-41113	ASSY WHEEL STEERING	1				0	0
020	K1122-41123	WHEEL STEERING	1				0	0
030	K1122-41133	CAP.STEERING	1				0	0
040	K1122-41213	SHAFT STEERING	1				0	0
050	K1122-91940	NUT LOCKING	1			(M16 X 1.5)	0.03	0.066
060	K1122-41220	RETAINER SHAFT	1				0.07	0.154
070	01754-50820	BOLT FLANGE	1			(M8 X 1.25 X 20)	0.015	0.033
080	K1122-41233	BEARING STEERING	1				0	0
090	08141-06201	BEARING	1				0.04	0.088
100	K1122-41254	GEAR SECTOR	1				0	0
110	K1122-41280	BUSH SECTOR	2				0.02	0.044
120	01754-51020	BOLT FLANGE	1			(M10 X 1.5 X 20)	0.02	0.044
130	K1122-41262	WASHER PLAIN	1				0	0
140	K1122-41514	LINK DRAG COMP	1				0	0
150	75599-31924	NUT LOCKING	2			(7/16-20UNF)	0.01	0.022

FRAME



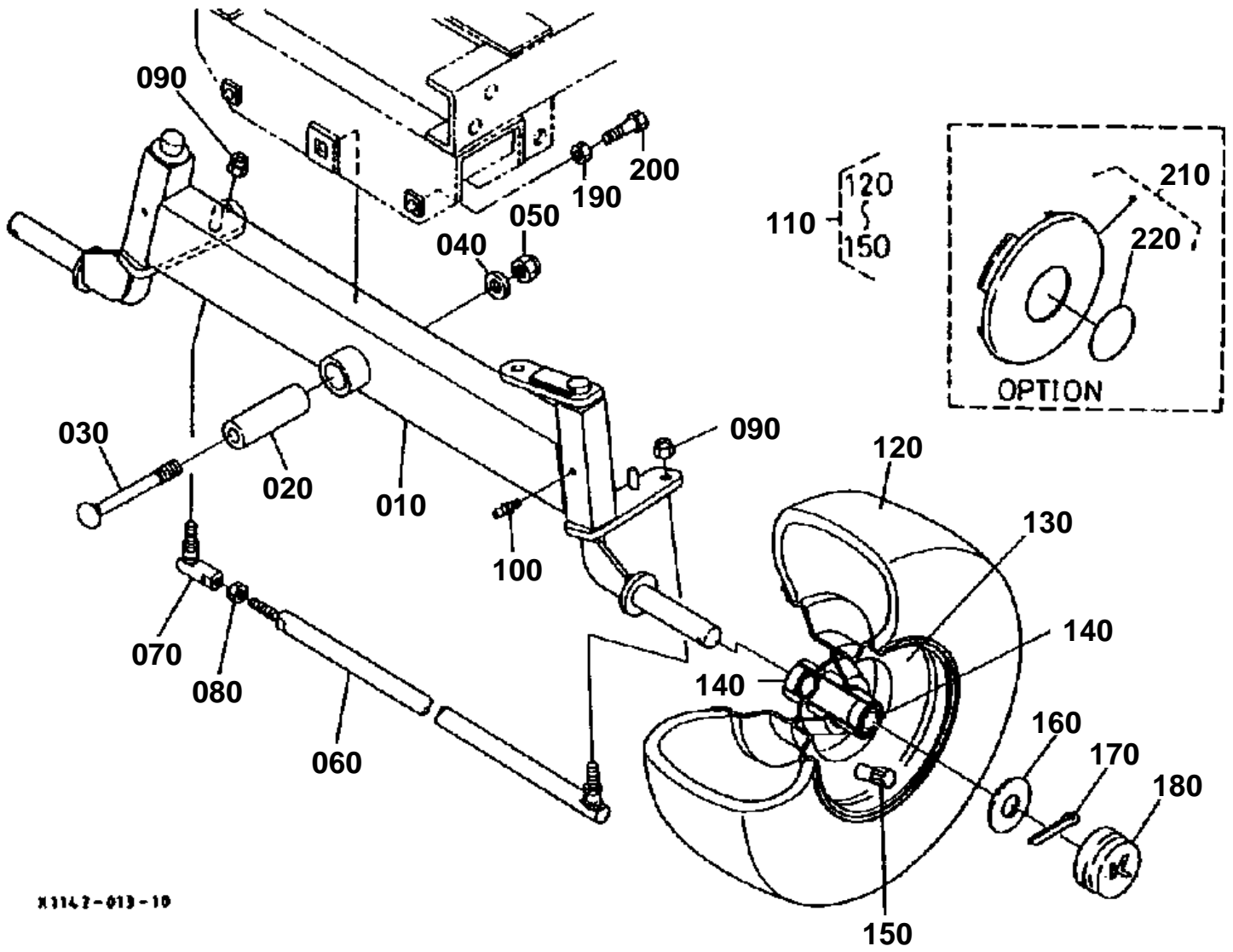


## FRAME

↔ Interchangeable; ≠ not interchangeable; ← new for old; → old for new

REF.No	Part No.	Description	Q'ty	S.No.	I/C	REMARKS	Weight (kgf)	Weight (lb)
010	K1152-21010	FRAME COMP	1				66	145.2
020	K1132-21110	SUPPORT STEERING	1				11	24.2
030	K1122-91420	BOLT SHORT SQU.NECK	4			(M10 X 1.5)	0.02	0.044
040	K1122-91960	NUT FLANGE	4			(M10 X 1.5)	0.012	0.0264
045	K1122-21160	WASHER PLAIN	4				0.006	0.0132
050	K1142-21512	BUMPER	1				0	0
060	01754-50820	BOLT FLANGE	4			(M8 X 1.25 X 20)	0.015	0.033
070	K1142-21612	PLATE R	1				0	0
080	K1142-21620	PLATE L	1				0.031	0.0682
090	01754-50616	BOLT FLANGE	4			(M6 X 1.0 X 16)	0.006	0.0132
100	K1142-21632	DUCT R	1				0	0
110	K1142-21642	DUCT L	1				0	0
120	01754-50616	BOLT FLANGE	4			(M6 X 1.0 X 16)	0.006	0.0132
130	01513-50825	BOLT STUD	4			(M8 X 1.25 X 25)	0	0
140	02054-50080	HEX.NUT	4			(M8 X 1.25)	0.005	0.011
150	75599-33012	WASHER SPRING LOCK	4			(5/16)	0.002	0.0044
160	75599-32012	WASHER PLAIN	1			(5/16)	0.002	0.0044
170	K1142-25450	TUBE DRAIN	1				0.01	0.022
180	K1152-55512	COVER REAR	1				0	0
190	K1754-50616	BOLT FLANGE	2			(M6 X 1.0 X 16)	0	0
220	K1142-26420	RETAINER BELT HST	1				0.15	0.33
230	01754-50820	BOLT FLANGE	1			(M8 X 1.25 X 20)	0.015	0.033
240	02751-50080	NUT FLANGE	1			(M8 X 1.25)	0.006	0.0132

FRONT AXLE/FRONT WHEEL



X3142-013-10



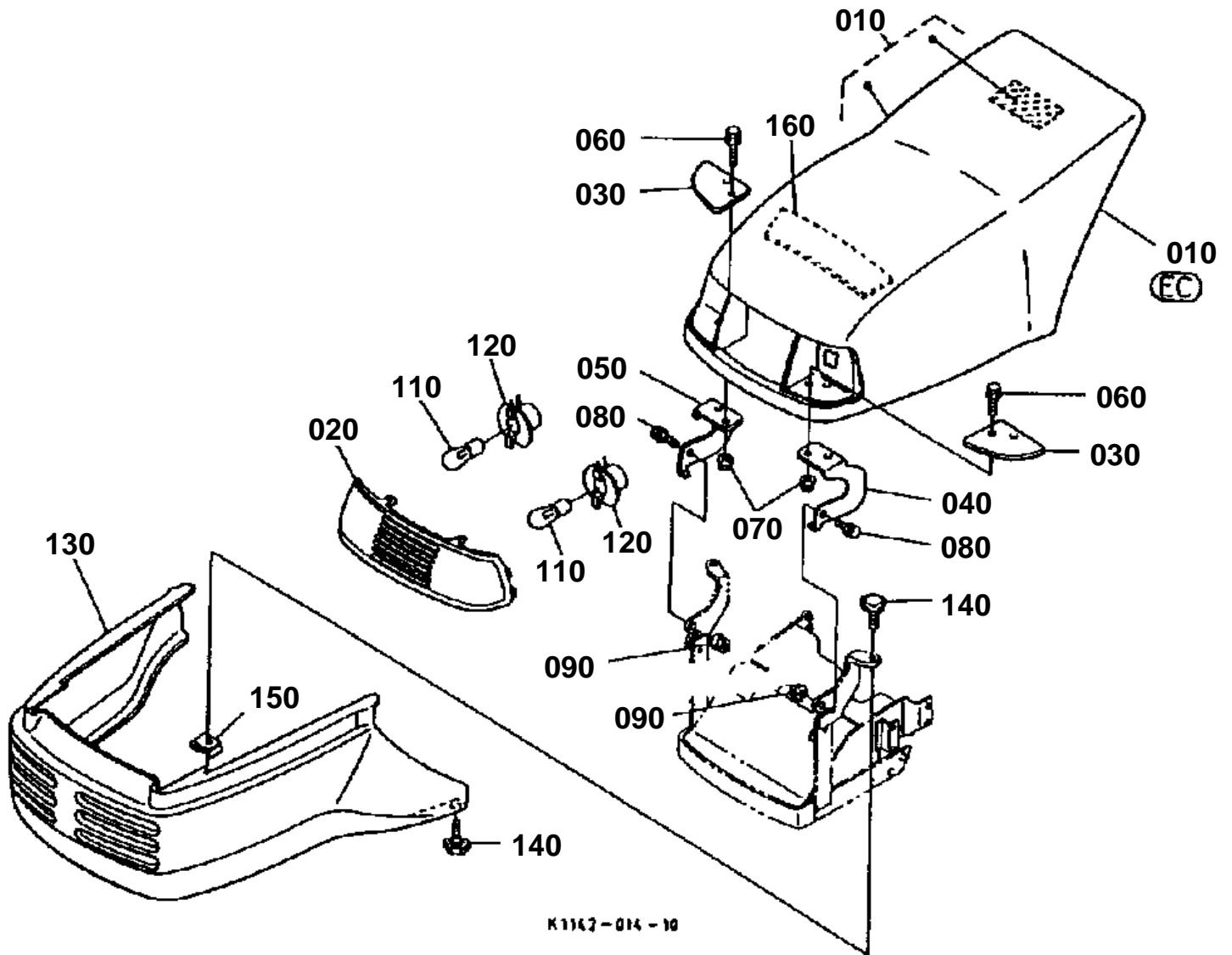


## FRONT AXLE/FRONT WHEEL

↔ Interchangeable; ≠ not interchangeable; ← new for old; → old for new

REF.No	Part No.	Description	Q'ty	S.No.	I/C	REMARKS	Weight (kgf)	Weight (lb)
010	K1142-15113	COMP.FRONT AXLE	1				0	0
020	K1122-15124	COLLAR CENTER PIN	1				0	0
030	K1122-15132	BOLT CENTER PIN	1				0	0
040	75599-32015	WASHER PLAIN	1			(1/2)	0.01	0.022
050	K1122-91920	NUT LOCKING	1			(M12 X 1.75)	0.016	0.0352
060	K1122-15213	TIE ROD COMP	1				0	0
070	K1122-15223	ROD END	1			3/8-24	0	0
080	75599-31023	HEX.NUT	1			(3/8-24UNF)	0.006	0.0132
090	75599-31923	NUT LOCKING	2			(3/8-24UNF)	0.007	0.0154
100	K1122-15150	NIPPLE GREASE	2			(M6 X .10)	0.002	0.0044
110	K1132-15710	ASSY TIRE FRONT	2				4.15	9.13
120	K1132-15720	TIRE	2			15 X 6.00-6	2.535	5.577
130	K1142-15730	WHEEL	2			6.0 X 4.50	1.65	3.63
140	K1142-15770	BEARING	4				0.09	0.198
150	K1122-15760	VALVE STEM	2				0.01	0.022
160	K1142-15740	WASHER FLAT	2			1.57MM	0.02	0.044
170	05511-50530	PIN COTTER	2			(5 X 30)	0.006	0.0132
180	K1142-15780	CAP WHEEL FRONT	2			(O.D 53MM)	0.03	0.066
190	02014-50100	HEX.NUT	2			(M10 X 1.5)	0.011	0.0242
200	01053-51040	BOLT HEX.	2			(M10 X 1.5 X 40)	0.035	0.077
210	66091-56472	CAP WHEEL 6	2			OPTION	0.11	0.242
220	66190-17480	LABEL	2			OPTION	0.005	0.011

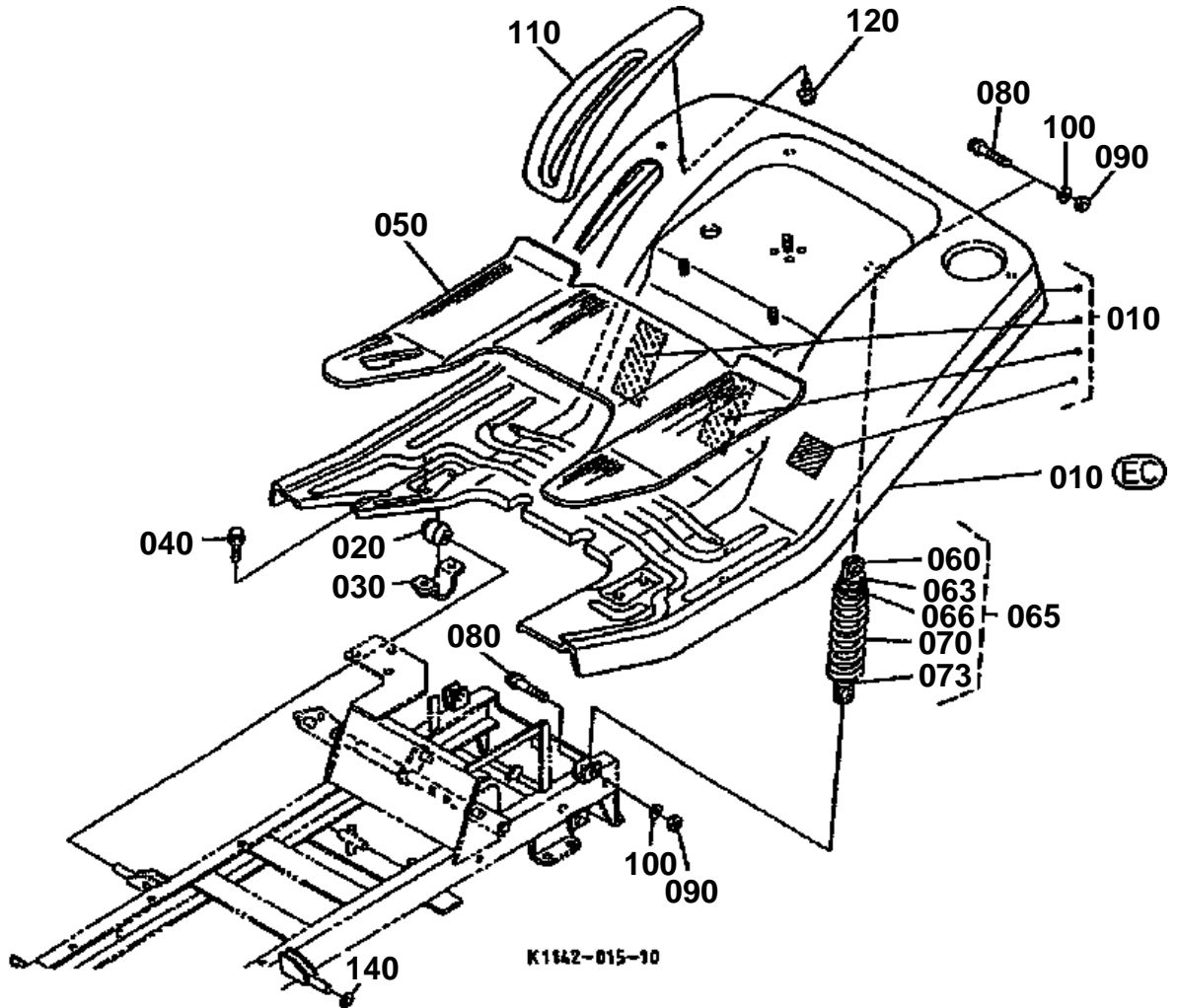
BONNET/HEAD LIGHT



**BONNET/HEAD LIGHT**

↔ Interchangeable; ≠ not interchangeable; ← new for old; → old for new

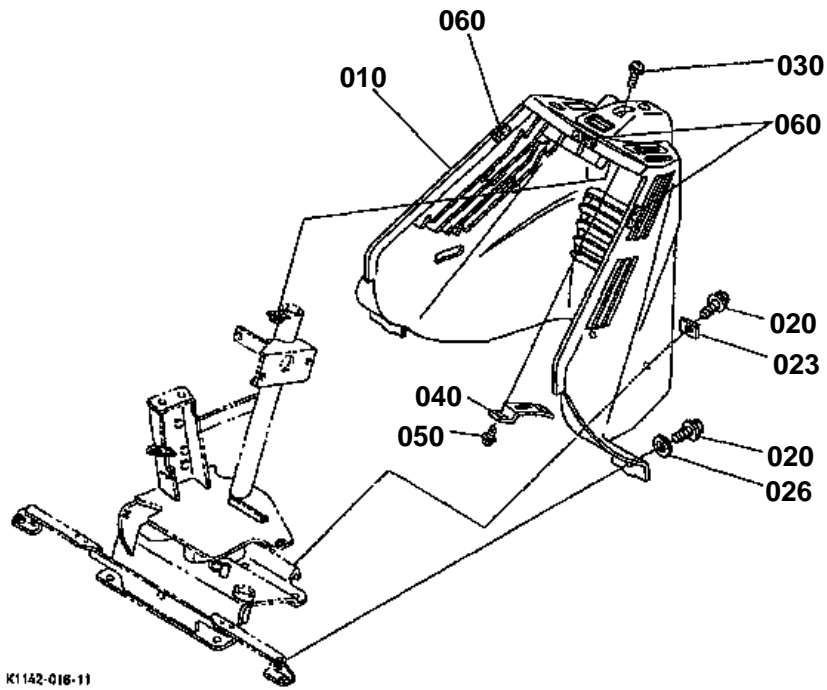
REF.No	Part No.	Description	Q'ty	S.No.	I/C	REMARKS	Weight (kgf)	Weight (lb)
010	K1122-95020	KIT BONNET UPPER	1				6.7	14.74
010	K1122-54112	BONNET UPPER	1			[EC]	0	0
020	K1211-54120	LENS	1				0.24	0.528
030	K1122-54232	PLATE BONNET	2				0	0
040	K1122-54310	BRACKET BONNTE L	1				0.23	0.506
050	K1122-54320	BRACKET BONNET R	1				0.24	0.528
060	01754-50820	BOLT FLANGE	2			(M8 X 1.25 X 20)	0.015	0.033
070	02751-50080	NUT FLANGE	2			(M8 X 1.25)	0.006	0.0132
080	01754-50825	BOLT FLANGE	2			(M8 X 1.25 X 25)	0.01	0.022
110	K1122-54210	BULB	2				0.008	0.0176
120	K1122-54220	SOCKET	2				0.006	0.0132
130	K1122-54132	BONNET UNDER	1				0	0
140	K1122-91000	BOLT KNOB	4			(M6 X 1.0 X 15)	0.012	0.0264
150	K1122-91800	NUT SPRING	2			(M6 X 1.0)	0.004	0.0088
160	K1142-25320	SPONGE 1	1				0.02	0.044



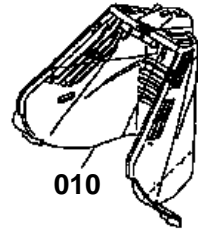
**FENDER**

↔ Interchangeable; ≠ not interchangeable; ← new for old; → old for new

REF.No	Part No.	Description	Q'ty	S.No.	I/C	REMARKS	Weight (kgf)	Weight (lb)
010	K1132-95020	KIT FENDER	1				18.2	40.04
010	K1211-55114	COMP.FENDER.(EC)	1			[EC]	0	0
020	K1122-55122	BUSHING	2				0	0
030	K1122-55130	SUPPORT STEP	2			NOT SALE	0	0
030	K1211-55130	SUPPORT STEP	2		↔		0.06	0.132
040	01754-50820	BOLT FLANGE	4			(M8 X 1.25 X 20)	0.015	0.033
050	K1132-55210	SHEET STEP	1				1.38	3.036
055	K1122-55400	SUSPENSION ASSY	2				1.06	2.332
060	K1122-55410	SUSPENSION	2				0.62	1.364
063	K1122-55430	RETAINER UPPER	2				0.014	0.0308
066	K1122-55450	COVER SUSPENSION	2				0.019	0.0418
070	K1122-55420	SORING SUSPENSION	2				0.39	0.858
073	K1122-55440	RETAINER LOWER	2				0.035	0.077
080	01053-51045	HEX.BOLT	4			(M10 X 1.5 X 45)	0.04	0.088
090	02014-50100	HEXNUT	4			(M10 X 1.5)	0.011	0.0242
100	04512-50100	WASHER SPRING LOCK	4			(M10)	0	0
110	K1122-52222	COVER LEVER	1				0	0
120	K1122-55282	SCREW TAPPING	3				0	0
130	99999-99999	BLANK	0				0	0
140	75599-32015	WASHER PLAIN	1			(1/2)	0.01	0.022



010 K1152-5711-0



K1142-801-10

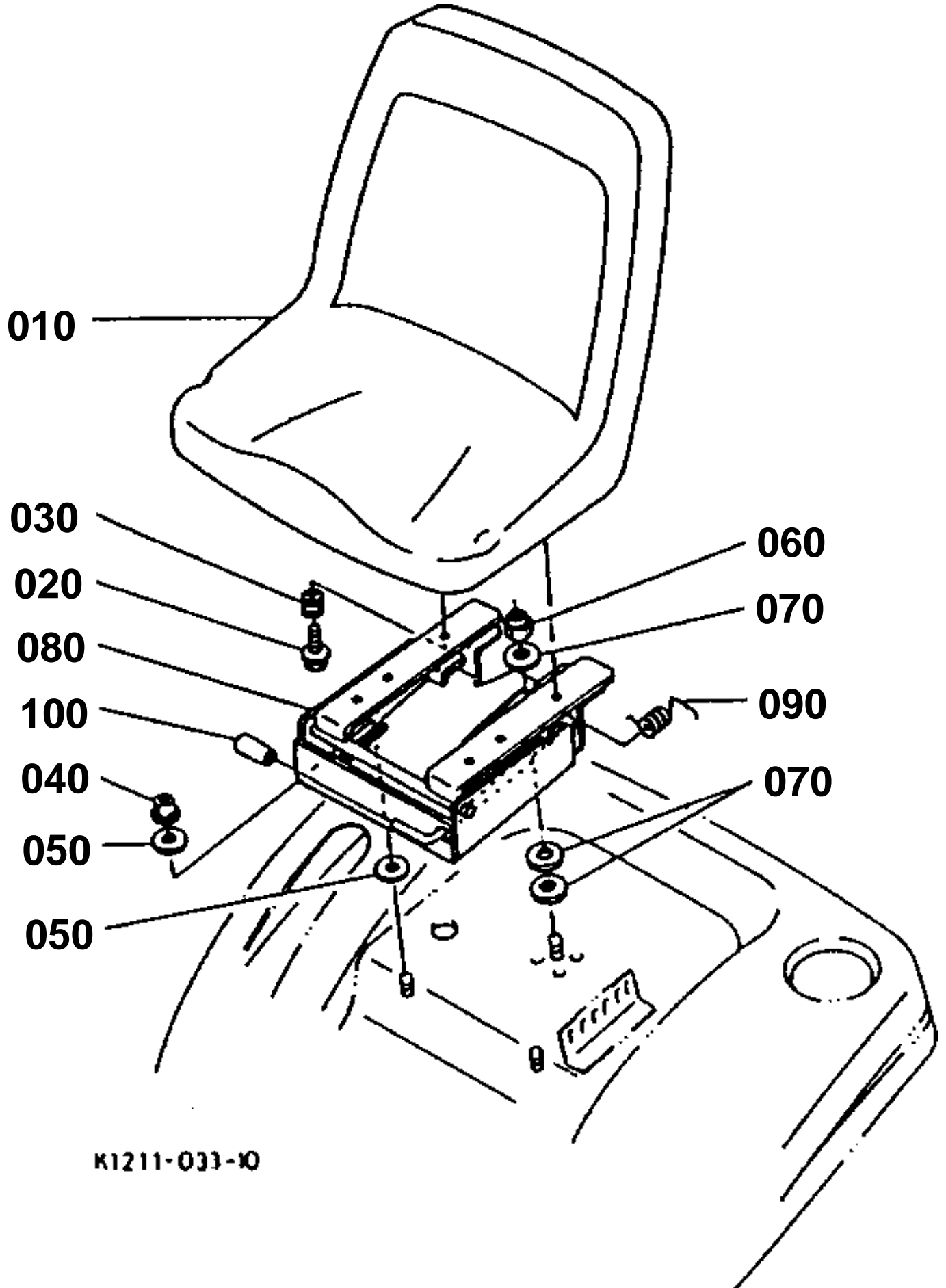


PANEL

↔ Interchangeable; ≠ not interchangeable; ← new for old; → old for new

REF.No	Part No.	Description	Q'ty	S.No.	I/C	REMARKS	Weight (kgf)	Weight (lb)
010	K1152-57110	PANEL	1	<=59999		[EC]	5.3	11.66
010	K1152-57210	PANEL	1	>=60001	≠	[EC]	0	0
020	01754-50820	BOLT FLANGE	4			(M8 X 1.25 X 20)	0.015	0.033
023	K1122-57172	WASHER PANEL	2				0	0
026	K5112-72830	WASHER PLAIN	2				0.005	0.011
030	K1122-91050	BOLT FLANGE BLACK	1				0.013	0.0286
040	K1122-57130	PLATE LEVER	1				0.07	0.154
050	K1122-57142	SCREW TAPPING	2				0	0
060	K1122-57162	PLATE RUBBER	3				0	0

SEAT



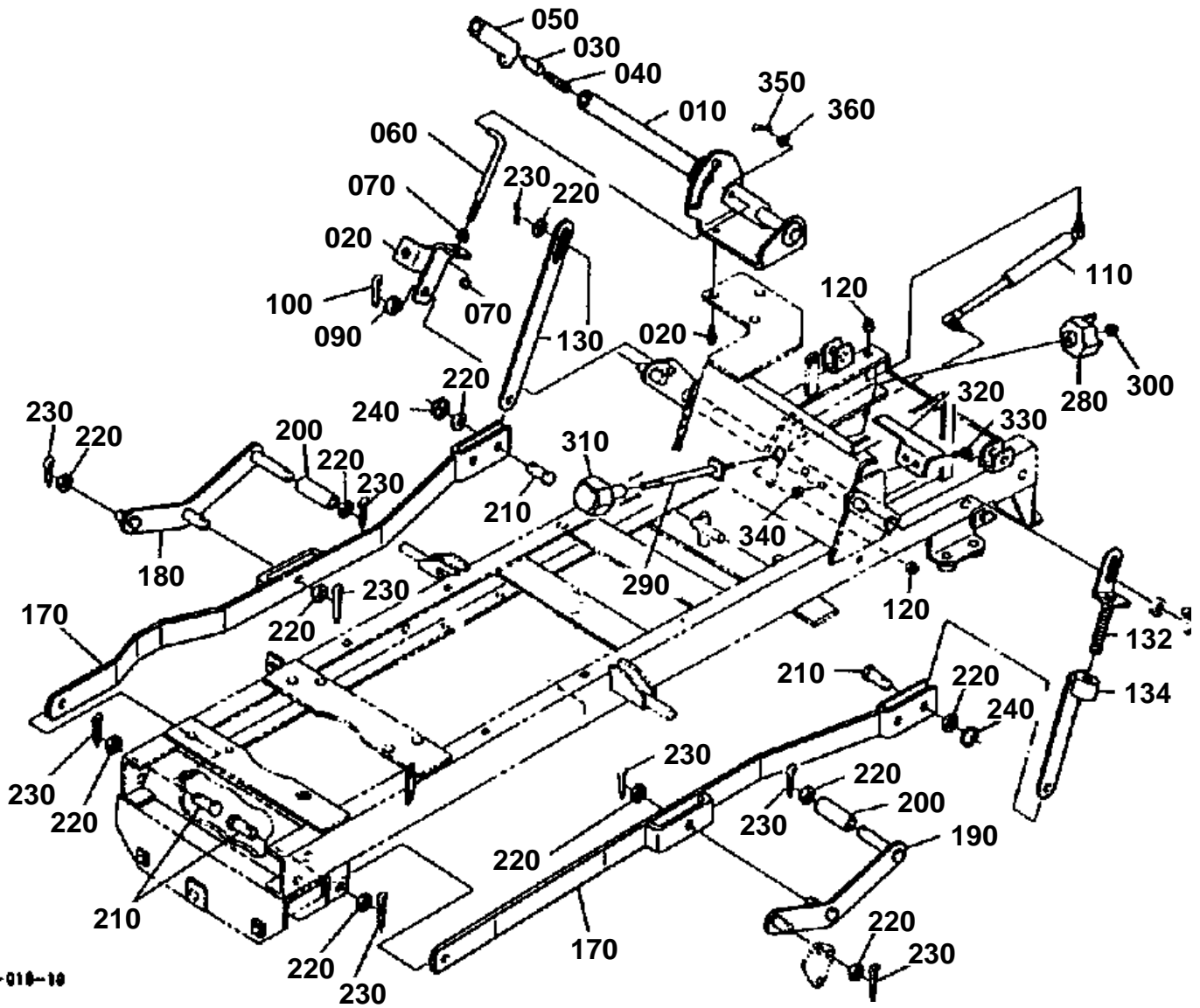


**SEAT**

↔ Interchangeable; ≠ not interchangeable; ← new for old; → old for new

REF.No	Part No.	Description	Q'ty	S.No.	I/C	REMARKS	Weight (kgf)	Weight (lb)
010	K1122-56112	SEAT #V-1500	1				0	0
020	0Y171-50508	BOLT FLANGE	4			(5/16-18UNC)	0.015	0.033
030	K1122-56142	SPRING SEAT SW.	1				0	0
040	K5112-72840	HEX.LOCKNUT	2			(M8 X 1.25)	0.005	0.011
050	75599-32112	WASHER PLAIN	4			(5/16W)	0.001	0.0022
060	75599-31923	NUT LOCKING	1			(3/8-24UNF)	0.007	0.0154
070	75599-32113	WASHER PLAIN	3			(3/8W)	0.01	0.022
080	K1211-56120	SUPPORT SEAT	1				3.545	7.799
090	K1211-56150	SPRING LOCK	1				0.012	0.0264
100	K1211-56140	COVER LEVER	1				0.008	0.0176

LIFT LEVER/LINK



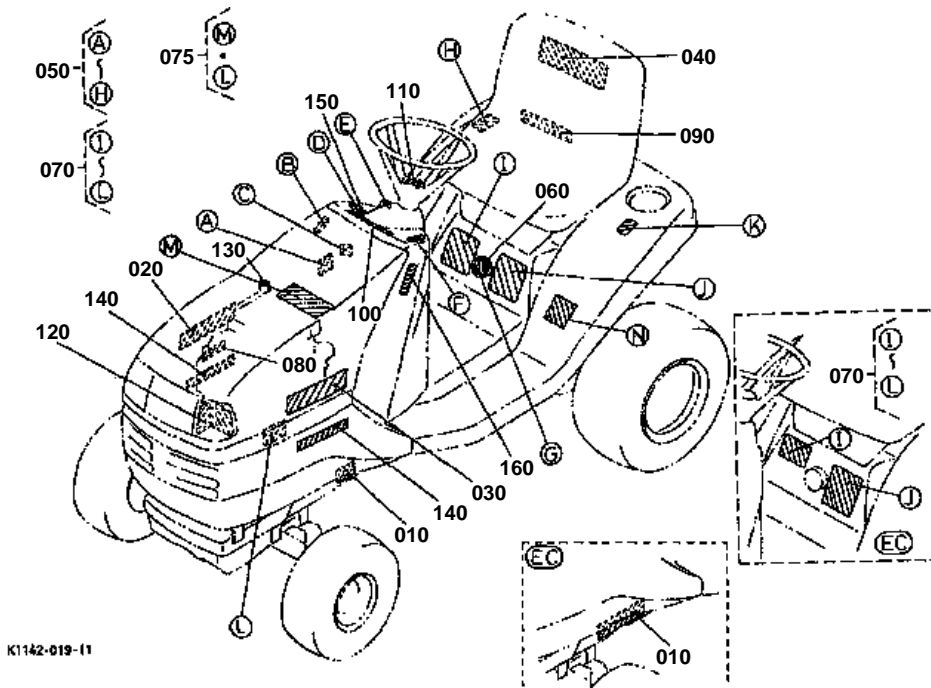
K1142-010-10



## LIFT LEVER/LINK

↔ Interchangeable; ≠ not interchangeable; ← new for old; → old for new

REF.No	Part No.	Description	Q'ty	S.No.	I/C	REMARKS	Weight (kgf)	Weight (lb)
010	K1122-44110	LEVER LIFT COMP	1				1.92	4.224
020	01754-50820	BOLT FLANGE	3			(M8 X 1.25 X 20)	0.015	0.033
030	K1211-44130	BUTTON	1				0.01	0.022
040	K1122-44140	SORING BUTTON	1				0.007	0.0154
050	K1122-44150	GRIP	1				0.11	0.242
060	K1122-44172	LINK LIFT 1	1				0	0
070	K1122-91960	NUT FLANGE	2			(M10 X 1.5)	0.012	0.0264
080	K1142-44182	LINK LIFT 2	1				0	0
090	75599-32015	WASHER PLAIN	1			(1/2)	0.01	0.022
100	05511-50430	PIN COTTER	1			(4/30)	0.004	0.0088
110	K1122-44162	GAS SPRING	1				0	0
120	02751-50080	NUT FLANGE	2			(M8 X 1.25)	0.006	0.0132
130	K1142-44220	LINK 2	1				0.45	0.99
132	K1142-44273	LINK LIFT UPPER	1				0	0
134	K1142-44283	LINK LIFT LOWER	1				0	0
140	75599-32015	WASHER PLAIN	2			(1/2)	0.01	0.022
150	05511-50430	PIN COTTER	2			(4 X 30)	0.004	0.0088
160	K1122-44310	LINK 1R	1				1.95	4.29
170	K1122-44320	LINK 1L	1				1.92	4.224
180	K1122-44332	LINK 3R	1				0.62	1.364
190	K1122-44342	LINK 3L	1				0.63	1.386
200	K1122-44362	COLLAR LINK3	2				0	0
210	75599-51525	PIN.CLEVIS	4			(1/2 X 1-1/4)	0.2	0.44
220	75599-32015	WASHER PLAIN	10			(1/2)	0.01	0.022
230	05511-50430	PIN COTTER	8			(4 X 30)	0.004	0.0088
240	K5142-72730	RING SNAP 2	2				0.003	0.0066
280	K1122-44412	CAM	1				0	0
290	K1132-44420	ROD CAM	1				0.1	0.22
300	02751-50080	NUT FLANGE	1			(M8)	0.006	0.0132
305	K1132-44451	WASHER ROD	1				0	0
310	K1132-44430	DIAL CAM	1				0.04	0.088
320	K1122-44443	SPRING RETAINER	1				0	0
330	K1122-91320	BOLT SHORT SQU.NECK	2			(M8 X 1.25)	0.01	0.022
340	02751-50080	NUT FLANGE	2			(M8 X 1.25)	0.006	0.0132
350	75599-32013	WASHER PLAIN	1			(3/8)	0.03	0.066
360	05511-50430	PIN COTTER	1				0.004	0.0088





## LABEL

↔ Interchangeable; ≠ not interchangeable; ← new for old; → old for new

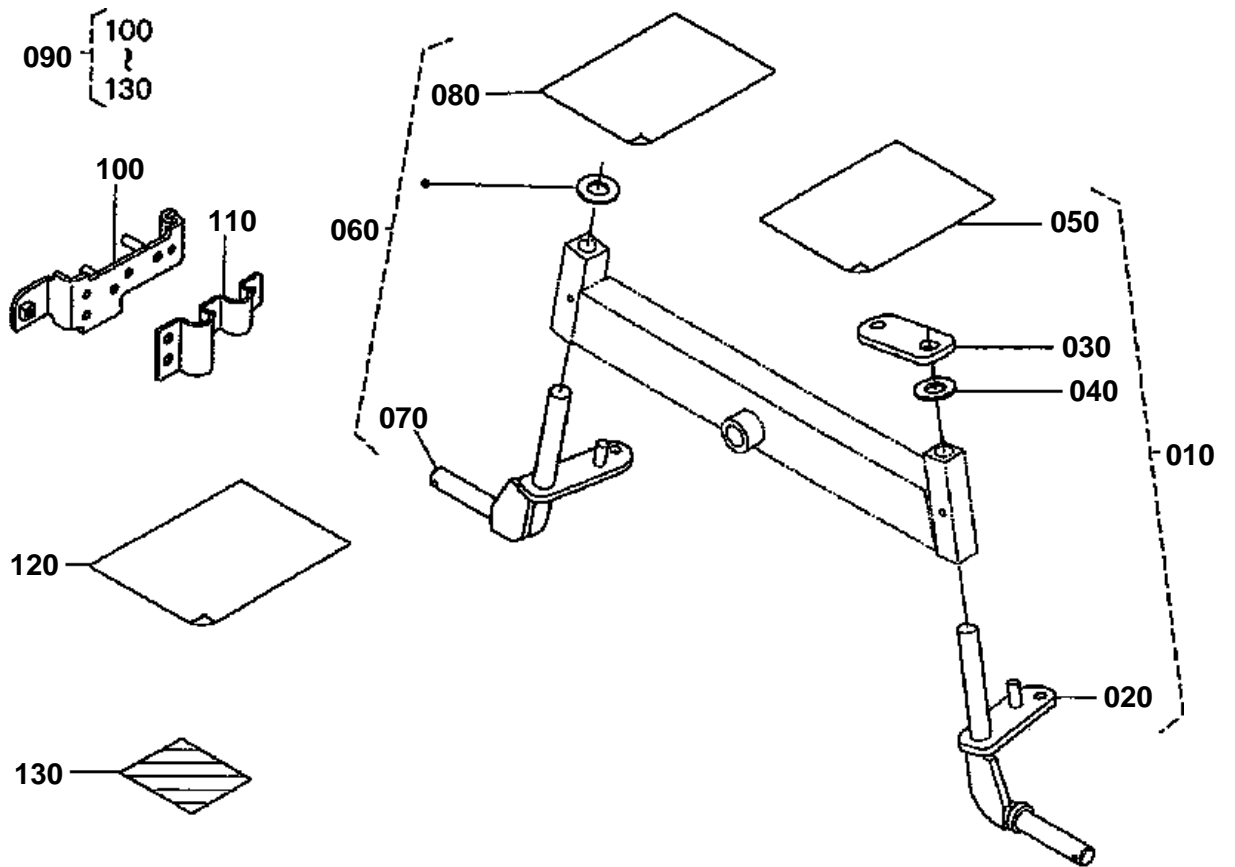
REF.No	Part No.	Description	Q'ty	S.No.	I/C	REMARKS	Weight (kgf)	Weight (lb)
010	K1152-65112	PLATE NAME	1				0	0
010	K1143-65110	PLATE NAME	1			[EC]	0	0
020	K1152-65120	LABEL BONNET R	1				0.04	0.088
030	K1152-65130	LABEL BONNET L	1				0.042	0.0924
040	K1122-65252	LABEL KUBOTA BONNET	1				0	0
050	K1122-65163	LABEL SET CONTROL	1				0	0
060	K1132-65260	LABEL DIAL	1				0.001	0.0022
070	K1122-65174	LABEL SET CAUTION	1				0	0
075	K1122-65190	LABEL SET CAUTION	1				0.034	0.0748
080	K1142-65180	LABEL ENGINE	1			[EC]	0.008	0.0176
090	K1132-65290	LABEL CUSHION	1				0.001	0.0022
100	K1142-65210	LABEL INDICATOR	1				0.012	0.0264
110	K1122-65220	MARK STEERING	1				0.01	0.022
120	K1122-65412	LABEL HEAD LAMP	1				0	0
130	K1142-65193	LABEL RADIATOR CAP	1				0	0
140	K1132-65270	LABEL AUTO THROTTLE	2				0.002	0.0044
150	K2110-65460	LABEL NMR	1	>=60001			0	0
160	K2110-65190	LABEL KRA	1	>=60001			0.001	0.0022

**IMAGE NOT AVAILABLE**

**ACCESSORIES AND SERVICE PARTS**

↔ Interchangeable; ≠ not interchangeable; ← new for old; → old for new

REF.No	Part No.	Description	Q'ty	S.No.	I/C	REMARKS	Weight (kgf)	Weight (lb)
010	K1152-71210	MANUAL INSTRUCTION	1	<=59999			0.185	0.407
010	K1152-71220	MANUAL INSTRUCTION	1	>=60001	≠		0.148	0.3256
010	K1143-71210	MANUAL INSTRUCTION	1			[EC]	0	0
020	K1143-71510	MANUAL STRUCTURE	1			[EC]	0.03	0.066
030	K1122-73210	PACKING ACCESSORY	1			REF.No.040	0.015	0.033
030	K1123-73210	PACKING ACCESSORY	1			[EC] REF.No.040	0.02	0.044
040	K1122-73220	BAG POLY	1				0.015	0.033



K1120-009-10



**SERVICE PARTS**

↔ Interchangeable; ≠ not interchangeable; ← new for old; → old for new

REF.No	Part No.	Description	Q'ty	S.No.	I/C	REMARKS	Weight (kgf)	Weight (lb)
010	K1142-95400	KIT KING PIN LH	1				1	2.2
020	K1142-95410	COMP KING PIN LH	1				1.13	2.486
030	K1122-95450	ARM KNUCKLE	1				0.156	0.3432
040	K1122-95460	SHIM	1				0.005	0.011
050	K1122-95470	INSTRUCTIONS	1				0.015	0.033
060	K1142-95560	KIT KING PIN RH	1				1.17	2.574
070	K1142-95440	COMP KING PIN RH	1				1.14	2.508
080	K1122-95470	INSTRUCTIONS	1				0.015	0.033
090	K1122-95620	KIT TENSION BRACKET	1				0.61	1.342
100	K1122-95630	BRACKET TENSION	1				0.4	0.88
110	K1122-26353	HOLDER TENSION	1				0	0
120	K1122-95640	INSTRUCTION TENSION	1				0.022	0.0484
130	K1122-65170	LABEL	1				0.045	0.099