

Instructions for Parts Books

The heading at the top of the page will be the same for the picture of the parts as it is for the page with the part numbers.

Definition of column headings on part number pages:

REF.No → The number referring to the part on the picture page of the parts book.

Part No. → The number assigned to this part at the time of printing the parts book.

Description → Description of part.

Q'ty → Quantity of part used on that page.

S.No. → Serial number range of the equipment that this part will fit.

>= Your serial number should be greater than or equal to the number shown.

<= Your serial number should be lesser than or equal to the serial number shown.

I/C → Interchangeability of part shown.

↔ The part shown will work for the older and later serial number.

The part shown is not interchangeable with the other serial number.

← new for old

→ old for new

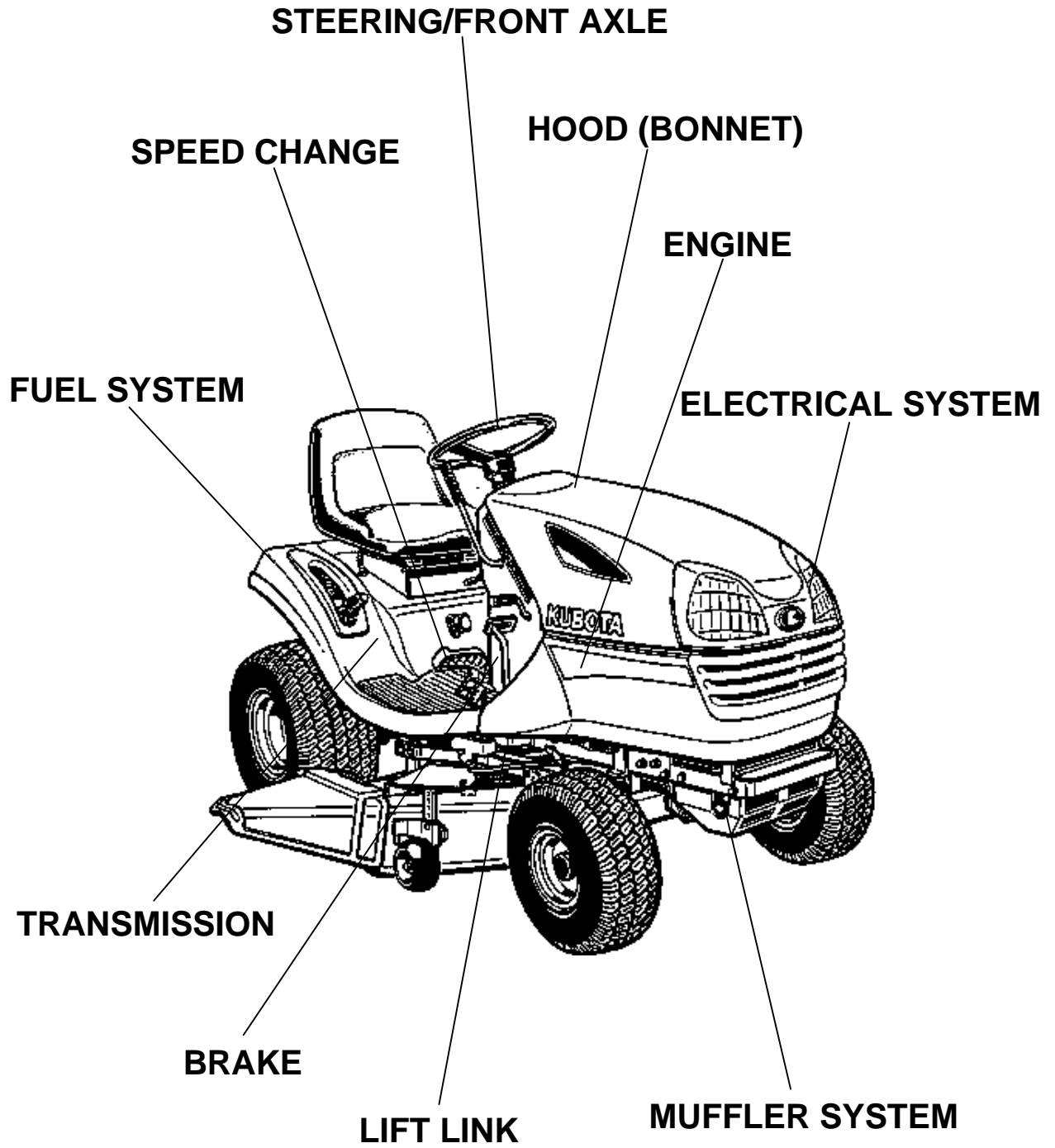
Remarks → Notes about this particular part. Sometimes this may say except [FR] or [CA]

Note about Country Codes:

The parts books we use in the United States of America may also contain information about a part that would be different in another country. It is important that you are aware of the country codes in some instances.

Symbol	Country
A	United States of America
CA	Canada
FR	France
GR	Greece
PO	Portugal
AU	Australia

If the remarks column says for example EXCEPT [FR] this part works in all countries except France. That means it will work here in the USA.

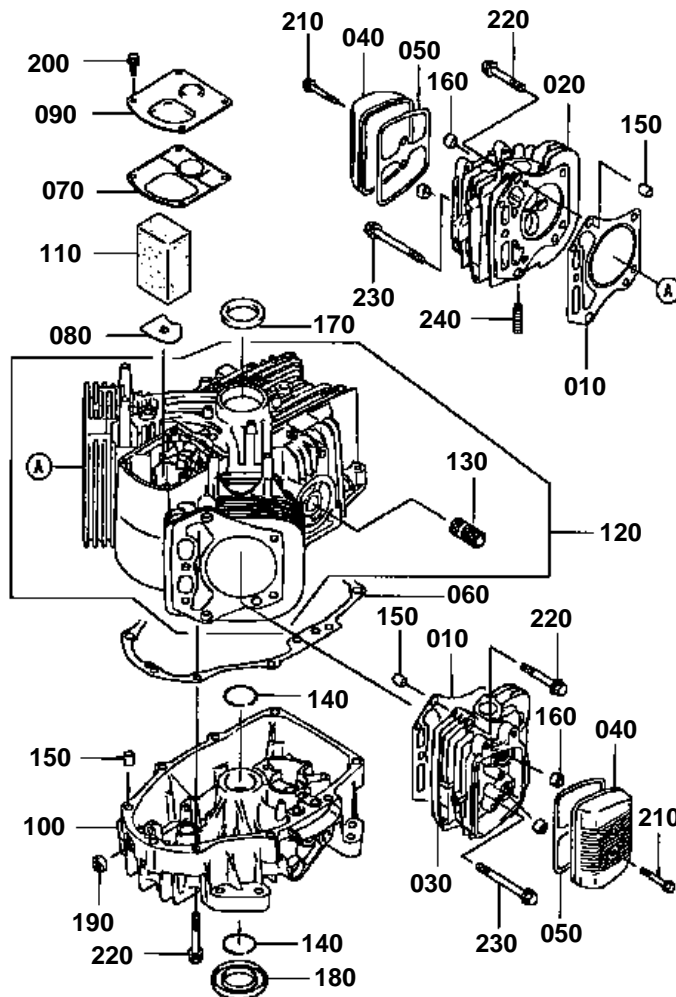


LABEL

ACCESSORIES

Item	Part No.	Description	Book	
ENGINE	021001	CRANK CASE AND CYLINDER HEAD	100A0188	
	021006	OIL FILTER	100A0188	
	021102	PISTON AND CRANKSHAFT	100A0188	
	02110301	FLYWHEEL	100A0188	
	02120301	CABURETTOR(COMPONENT PARTS)	100A0188	
	021205	SPEED CONTROL LEVER	100A0188	
	021207	FUEL PUMP (ELECTRICAL)	100A0188	
	021405	STARTER (COMPONENT PARTS)	100A0188	
	021507	FAN COVER	100A0188	
	021600	VALVE AND ROCKER ARM	100A0188	
	021603	AIR CLEANER	100A0188	
	021809	LABEL	100A0188	
	MUFFLER SYSTEM	03A005	MUFFLER	100A0188
	FUEL SYSTEM	03A010	ACCELERATOR LEVER	100A0188
03A100		FUEL TANK	100A0188	
ELECTRICAL SYSTEM	03B010	BATTERY	100A0188	
	03B100	ELECTRICAL PARTS	100A0188	
	03B50001	ELECTRICAL WIRING	100A0188	
TRANSMISSION	03C400	HST	100A0188	
	03C40502	HST (COMPONENT PARTS)	100A0188	
	03C40503	HST (COMPONENT PARTS)	100A0188	
	03D200	REAR WHEEL	100A0188	
BRAKE	03D530	BRAKE ROD	100A0188	
SPEED CHANGE	03D700	SPEED CHANGE PEDAL	100A0188	
	03D730	PTO CLUTCH CONTROL LEVER/WIRE	100A0188	
STEERING/FRONT AXLE	03E100	FRONT WHEEL	100A0188	
	03E50002	MAIN FRAME/STEERING SUPPORT	100A0188	
	03E700	POWER STEERING/STEERING HANDLE	100A0188	
LIFT LINK	03F350	LIFT LINK	100A0188	
HOOD (BONNET)	03G001	HOOD (BONNET)	100A0188	
	03G010	PANEL COVER	100A0188	
	03G030	FENDER	100A0188	
	03G040	SEAT	100A0188	
LABEL	03G100	LABEL	100A0188	
ACCESSORIES	03P001	ACCESSORIES AND SERVICE PARTS	100A0188	

CRANK CASE AND CYLINDER HEAD



E7196-001-10

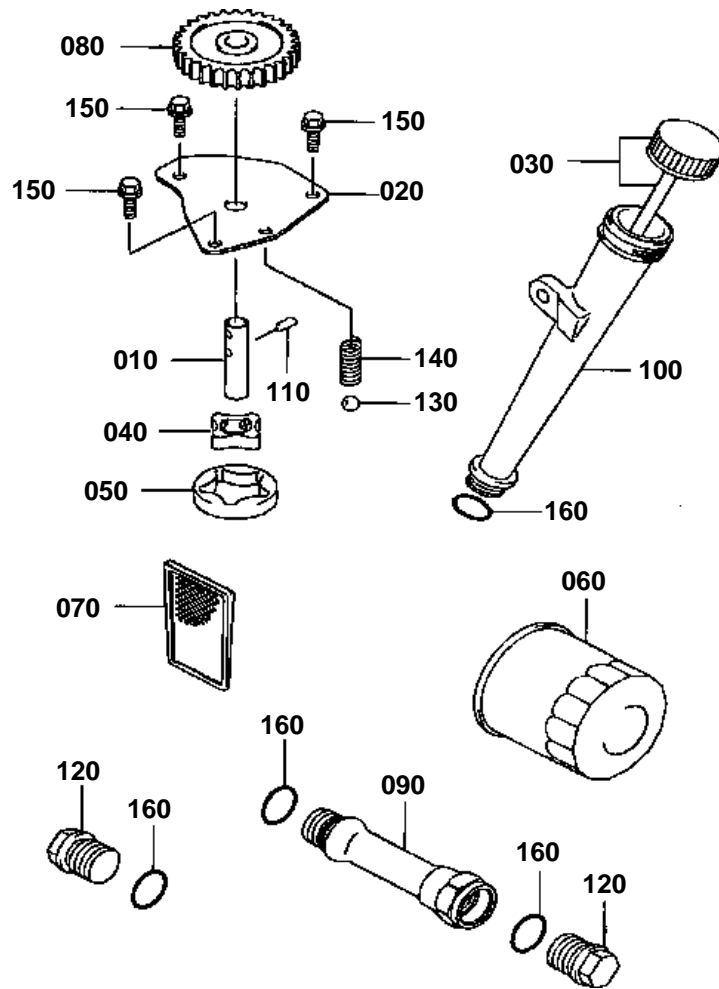


CRANK CASE AND CYLINDER HEAD

↔ Interchangeable; ≠ not interchangeable; ← new for old; → old for new

REF.No	Part No.	Description	Q'ty	S.No.	I/C	REMARKS	Weight (kgf)	Weight (lb)
010	E7195-03310	GASKET HEAD	2				0.04	0.088
020	E7195-03100	COMP.CYLINDER HEAD	1				0.5	1.1
030	E7195-03110	COMP.CYLINDER HEAD	1				1.13	2.486
040	E7195-14500	CASE	2				0.22	0.484
050	E7195-14520	GASKET	2				0.001	0.0022
060	E7195-12520	GASKET CRANKCASE	1				0.004	0.0088
070	E7195-06110	GASKET BREATHER	1				0.003	0.0066
080	E7195-06120	PLATE	1				0.002	0.0044
090	E7195-06130	COVER	1				0.12	0.264
100	E7195-01050	COVER CRANKCASE	1				3	6.6
110	E7195-06140	ELEMENT	1				0.005	0.011
120	E7195-02110	COMP.CRANKCASE	1				6.4	14.08
130	E7195-06150	JOINT	1				0.037	0.0814
140	E7195-06160	RING SNAP	2				0.001	0.0022
150	E7195-01060	PIN	6				0.002	0.0044
160	E7195-06170	SEAL OIL	4				0.002	0.0044
170	E7195-16640	SEAL OIL	1				0.012	0.0264
180	E7195-16660	SEAL OIL	1				0.026	0.0572
190	E7195-16650	SEAL OIL	1				0.001	0.0022
200	E3199-31410	BOLT	4				0.005	0.011
210	E7195-14510	BOLT FLANGE	4				0.04	0.088
220	E7195-03460	BOLT FLANGE	17				0.022	0.0484
230	E7195-03450	BOLT FLANGE	2				0.032	0.0704
240	E7195-91130	STUD	4				0.011	0.0242

OIL FILTER



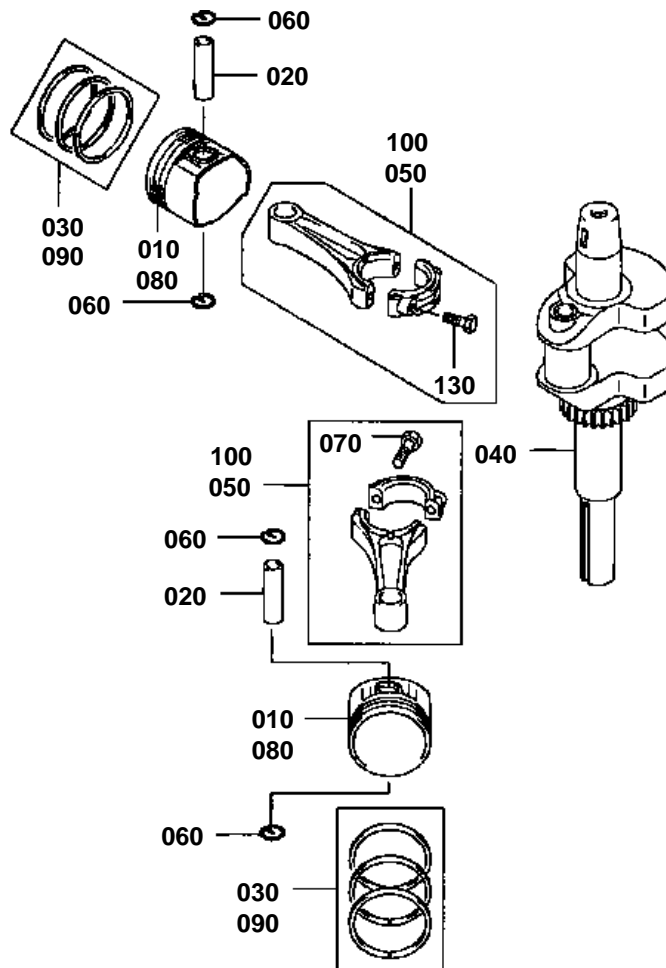
E7196-004-10

**OIL FILTER**

↔ Interchangeable; ≠ not interchangeable; ← new for old; → old for new

REF.No	Part No.	Description	Q'ty	S.No.	I/C	REMARKS	Weight (kgf)	Weight (lb)
010	E7195-35270	SHAFT	1				0.015	0.033
020	E7195-35130	PLATE	1				0.07	0.154
030	E7195-36410	ASSY CAP	1				0.02	0.044
040	LE601-35280	ROTOR PUMP(IN)	1				0.01	0.022
050	LE601-35080	ROTOR PUMP(OUT)	1				0.042	0.0924
060	E7195-32430	FILTER OIL	1				0.2	0.44
070	E7195-35060	FILTER OIL	1				0.005	0.011
080	E7195-35150	GEAR	1				0.165	0.363
090	E7195-02120	JOINT	1				0.04	0.088
100	E7195-36460	FILLER	1				0.04	0.088
110	E7195-35260	PIN	1				0.02	0.044
120	E7195-32450	PLUG	1				0.009	0.0198
130	E7195-35050	BALL	1				0.004	0.0088
140	E7195-35040	SPRING	1				0.001	0.0022
150	E3199-31410	BOLT	3				0.005	0.011
160	12499-36430	O RING	3				0.001	0.0022

PISTON AND CRANKSHAFT



E7196-002-10

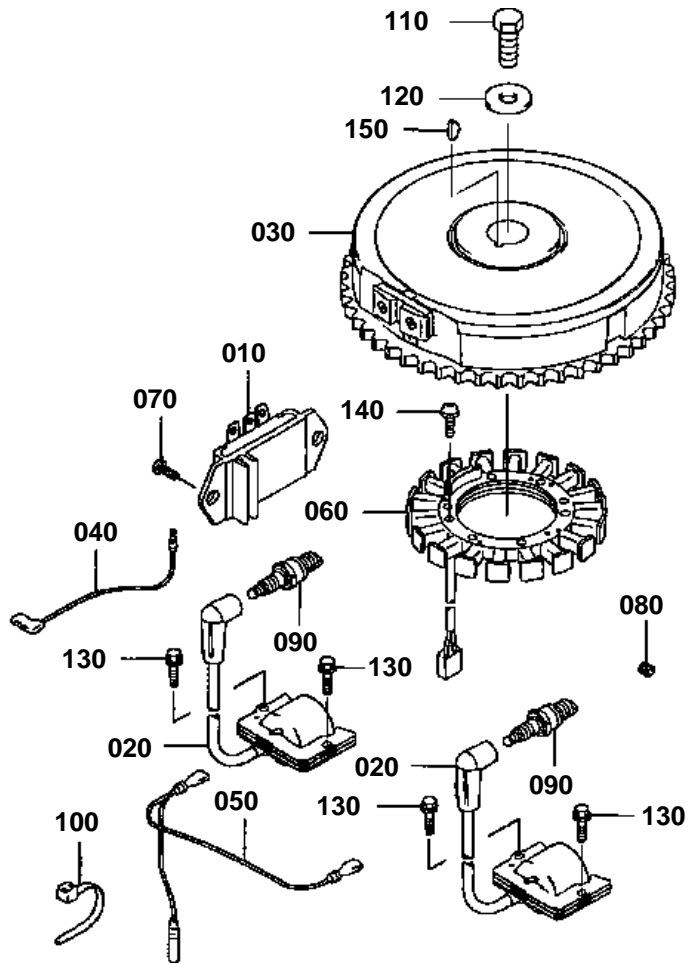


PISTON AND CRANKSHAFT

↔ Interchangeable; ≠ not interchangeable; ← new for old; → old for new

REF.No	Part No.	Description	Q'ty	S.No.	I/C	REMARKS	Weight (kgf)	Weight (lb)
010	E7196-21110	PISTON	2				0.15	0.33
020	E7195-21310	PIN PISTON	2				0.04	0.088
030	E7195-21050	SET PISTON RING	2				0.03	0.066
040	E7195-23010	COMP.CRANKSHAFT	1				4	8.8
050	E7195-22010	ASSY ROD CONNECTING	2				0.14	0.308
060	E7196-21330	RING SNAP	4				0.05	0.11
070	E2199-11240	BOLT	4				0.009	0.0198
080	E7196-21920	PISTON	2			0.50mm	0.15	0.33
090	E7195-21090	SET PISTON RING	2			0.50mm	0.033	0.0726
100	E7195-22020	ASSY ROD CONNECTING	2			0.50mm	0.017	0.0374

FLYWHEEL



E7195-001-10

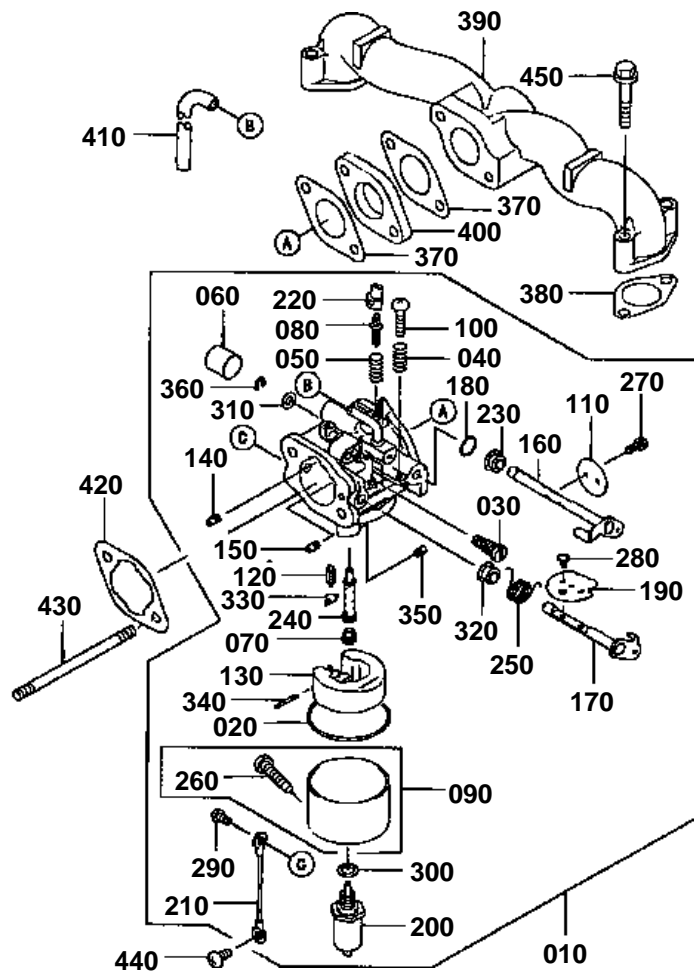


FLYWHEEL

↔ Interchangeable; ≠ not interchangeable; ← new for old; → old for new

REF.No	Part No.	Description	Q'ty	S.No.	I/C	REMARKS	Weight (kgf)	Weight (lb)
010	E7195-64600	REGULATOR VOLTAGE	1				0.045	0.099
020	E7195-67020	ASSY COIL IGNITION	2				0.25	0.55
030	E7195-67050	ASSY FLYWHEEL	1				7.4	16.28
040	E7195-68110	WIRE	1				0.009	0.0198
050	E7195-68130	WIRE HARNESS	1				0.013	0.0286
060	E7195-67070	COIL	1				0.61	1.342
070	12499-05220	SCREW PAN-HEAD	2				0.002	0.0044
080	E7195-65110	PLUG	1				0.003	0.0066
090	E7195-67740	SPARK PLUG	2				0.034	0.0748
100	E7195-68240	BAND	2				0.001	0.0022
110	E7195-11180	BOLT	1				0.04	0.088
120	E7195-67010	WASHER PLAIN	1				0.04	0.088
130	12499-43110	BOLT FLANGE	4				0.006	0.0132
140	E7195-67080	SCREW PAN-HEAD	4				0.004	0.0088
150	E7199-67050	KEY	1				0.003	0.0066

CABURETTOR(COMPONENT PARTS)



E7195-002-10

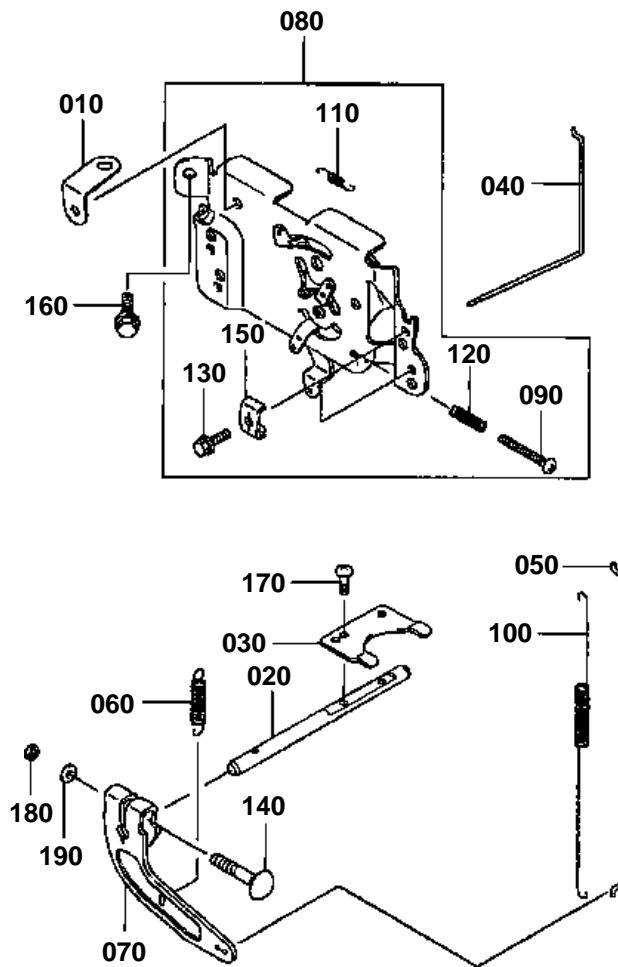


CABURETTOR(COMPONENT PARTS)

↔ Interchangeable; ≠ not interchangeable; ← new for old; → old for new

REF.No	Part No.	Description	Q'ty	S.No.	I/C	REMARKS	Weight (kgf)	Weight (lb)
010	E7195-44010	ASSY CARBURETTOR	1				0.37	0.814
020	E7195-44750	GASKET	1				0.001	0.0022
030	E7199-44170	PILOT JET	1				0.002	0.0044
040	12498-44812	SPRING	1				0.001	0.0022
050	E7195-45150	SPRING	1				0.001	0.0022
060	E7195-45110	CAP	1				0.003	0.0066
070	E7195-44270	SEAT VALVE	1				0.001	0.0022
080	E7195-44230	SCREW	1				0.002	0.0044
090	E7195-44700	CHAMBER FLOAT	1				0.023	0.0506
100	12498-44860	SCREW PAN-HEAD	1				0.001	0.0022
110	E7195-44320	VALVE THROTTLE	1				0.04	0.088
120	12499-44840	ASSY NEEDLE	1				0.01	0.022
130	12499-44720	FLOAT	1				0.01	0.022
140	E7195-44200	JET AIR	1				0.001	0.0022
150	E7195-44210	JET AIR	1				0.001	0.0022
160	E7195-44300	SHAFT	1				0.018	0.0396
170	E7195-44550	SHAFT	1				0.019	0.0418
180	12489-44570	SEAL	1				0.001	0.0022
190	E7195-44530	VALVE	1				0.006	0.0132
200	LE601-83500	SOLENOID	1				0.03	0.066
210	E7195-49110	WIRE	1				0.004	0.0088
220	12498-44240	LIMITER	1				0.001	0.0022
230	E7195-45120	RING	1				0.001	0.0022
240	E7195-44120	NOZZLE MAIN	1				0.007	0.0154
250	E7195-44590	SPRING	1				0.001	0.0022
260	E7195-45130	SCREW	1				0.002	0.0044
270	E7195-44330	SCREW	2				0.001	0.0022
280	12498-44520	SCREW PAN-HEAD	2				0.001	0.0022
290	LE601-44130	SCREW PAN-HEAD	1				0.002	0.0044
300	12498-44710	WASHER PLAIN	1				0.001	0.0022
310	E7195-45140	WASHER PLAIN	1				0.001	0.0022
320	12499-44340	COLLAR	1				0.001	0.0022
330	12489-44790	PIN SNAP	1				0.001	0.0022
340	E7195-44780	PIN	1				0.001	0.0022
350	E7195-44260	JET MAIN	1			Less than 1000m(#106.3)	0.001	0.0022
350	E7195-44400	JET MAIN	1			1000-2000m(#103.8)	0.001	0.0022
350	E7195-44410	JET MAIN	1			More than 2000m(#101.3)	0	0
360	E7195-45160	CIR-CLIP	1				0.001	0.0022
370	E7195-46170	GASKET INSULATOR	2				0.001	0.0022
380	E7195-11810	GASKET	2				0.001	0.0022
390	E7195-11710	MANIFOLD INTAKE	1				0.32	0.704
400	E7195-46150	INSULATOR	1				0.01	0.022
410	E7195-30100	TUBE	1				0.009	0.0198
420	E7195-46160	GASKET AIR FILTER	1				0.001	0.0022
430	E7195-46140	STUD	2				0.02	0.044
440	E7199-91510	SCREW PAN-HEAD	1				0.002	0.0044
450	E7195-91010	BOLT FLANGE	4				0.01	0.022

SPEED CONTROL LEVER



E7196-007-10

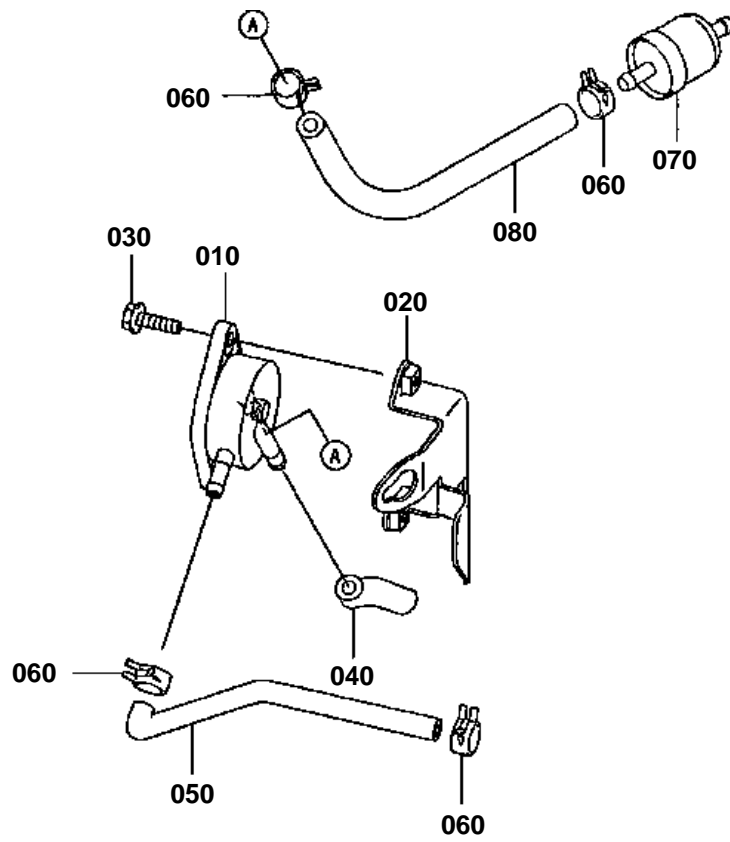


SPEED CONTROL LEVER

↔ Interchangeable; ≠ not interchangeable; ← new for old; → old for new

REF.No	Part No.	Description	Q'ty	S.No.	I/C	REMARKS	Weight (kgf)	Weight (lb)
010	E7195-57190	BRACKET	1				0.007	0.0154
020	E7195-56170	SHAFT	1				0.044	0.0968
030	E7195-54110	PLATE	1				0.017	0.0374
040	E7195-57810	LINK CHOKE	1				0.005	0.011
050	E7195-57820	LINK	1				0.006	0.0132
060	E7195-56410	SPRING GOVERNOR	1				0.006	0.0132
070	E7195-56110	ARM	1				0.06	0.132
080	E7195-57180	PANEL CONTROLLER	1				0.25	0.55
090	E7195-54120	SCREW	2				0.004	0.0088
100	E7195-54130	SPRING	1				0.001	0.0022
110	E7195-54140	SPRING	2				0.001	0.0022
120	E7195-56390	SPRING	1				0.001	0.0022
130	12499-57370	BOLT	1				0.004	0.0088
140	E7195-56120	BOLT	1				0.011	0.0242
150	E7195-57320	CLAMP	1				0.005	0.011
160	E3199-31410	BOLT	2				0.005	0.011
170	E7195-54150	SCREW	2				0.002	0.0044
180	12499-56140	NUT	1				0.002	0.0044
190	12499-56130	WASHER PLAIN	1				0.001	0.0022

FUEL PUMP (ELECTRICAL)



E7196-010-10

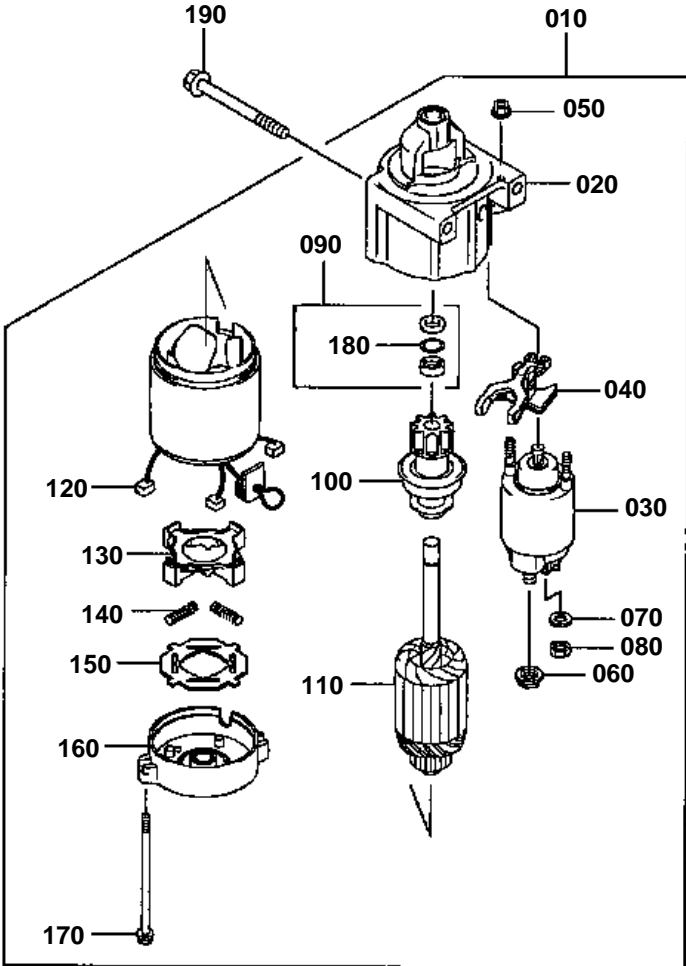


FUEL PUMP (ELECTRICAL)

↔ Interchangeable; ≠ not interchangeable; ← new for old; → old for new

REF.No	Part No.	Description	Q'ty	S.No.	I/C	REMARKS	Weight (kgf)	Weight (lb)
010	E7195-43010	PUMP FUEL	1				0.05	0.11
020	E7195-41110	COMP BRACKET	1				0.085	0.187
030	12499-43110	BOLT FLANGE	2				0.006	0.0132
040	E7195-43070	TUBE	1				0.006	0.0132
050	E7195-43090	TUBE	1				0.023	0.0506
060	12499-43082	CLAMP	4				0.002	0.0044
070	E7195-41120	FILTER FUEL	1				0.01	0.022
080	E7195-41130	TUBE	1				0.022	0.0484

STARTER (COMPONENT PARTS)



E7196-011-10

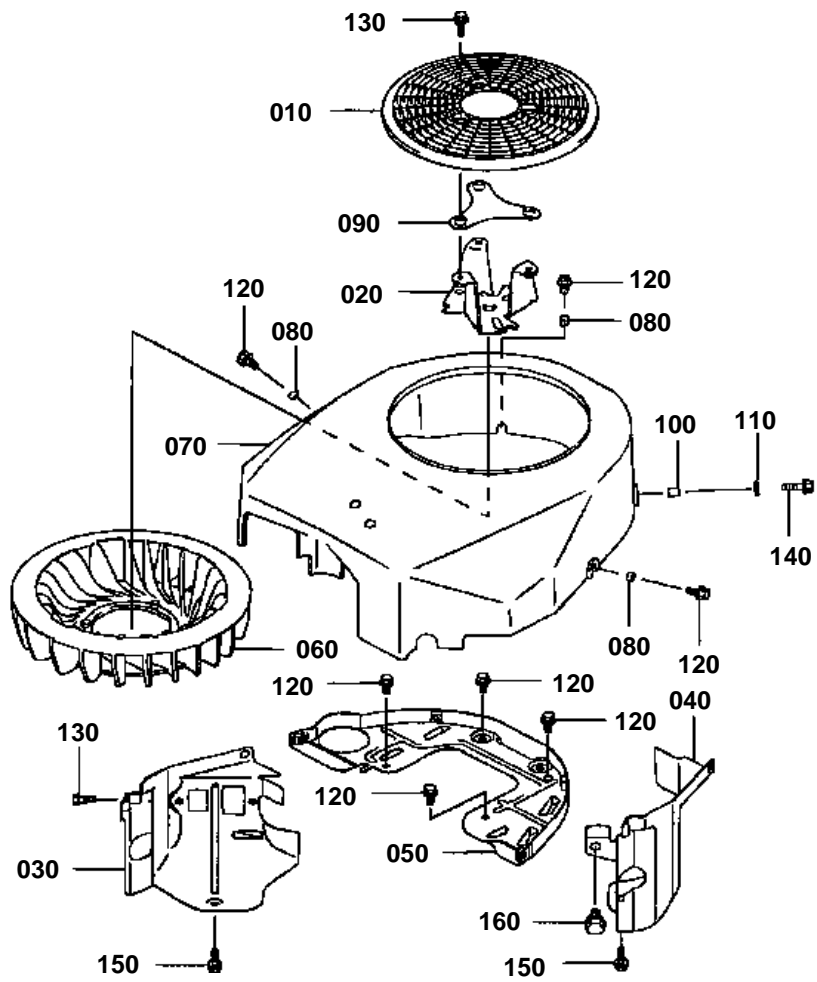


STARTER (COMPONENT PARTS)

↔ Interchangeable; ≠ not interchangeable; ← new for old; → old for new

REF.No	Part No.	Description	Q'ty	S.No.	I/C	REMARKS	Weight (kgf)	Weight (lb)
010	E7195-63010	STARTER	1				3.5	7.7
020	E7195-63060	ASSY COVER	1				0.56	1.232
030	12499-63020	SWITCH	1				0.6	1.32
040	E7195-63050	LEVER SHIFT	1				0.016	0.0352
050	12499-63140	NUT	2				0.003	0.0066
060	12499-63130	NUT	1				0.004	0.0088
070	12499-63030	WASHER SPRING	1				0.002	0.0044
080	12499-63080	NUT	1				0.004	0.0088
090	E7199-63110	STOPPER	1				0.011	0.0242
100	E7195-63040	ASSY CLUTCH	1				0.22	0.484
110	E7195-63070	ARMATURE	1				0.87	1.914
120	12499-63440	BRUSH	4				0.01	0.022
130	12499-63380	HOLDER BRUSH	1				0.015	0.033
140	12499-63390	SPRING BRUSH	4				0.01	0.022
150	12499-63680	INSULATOR	1				0.005	0.011
160	E7195-63450	ASSY COVER	1				0.08	0.176
170	12499-63430	BOLT	2				0.016	0.0352
180	12499-63120	PIN SNAP	1				0.001	0.0022
190	E7195-61110	BOLT	2				0.034	0.0748

FAN COVER



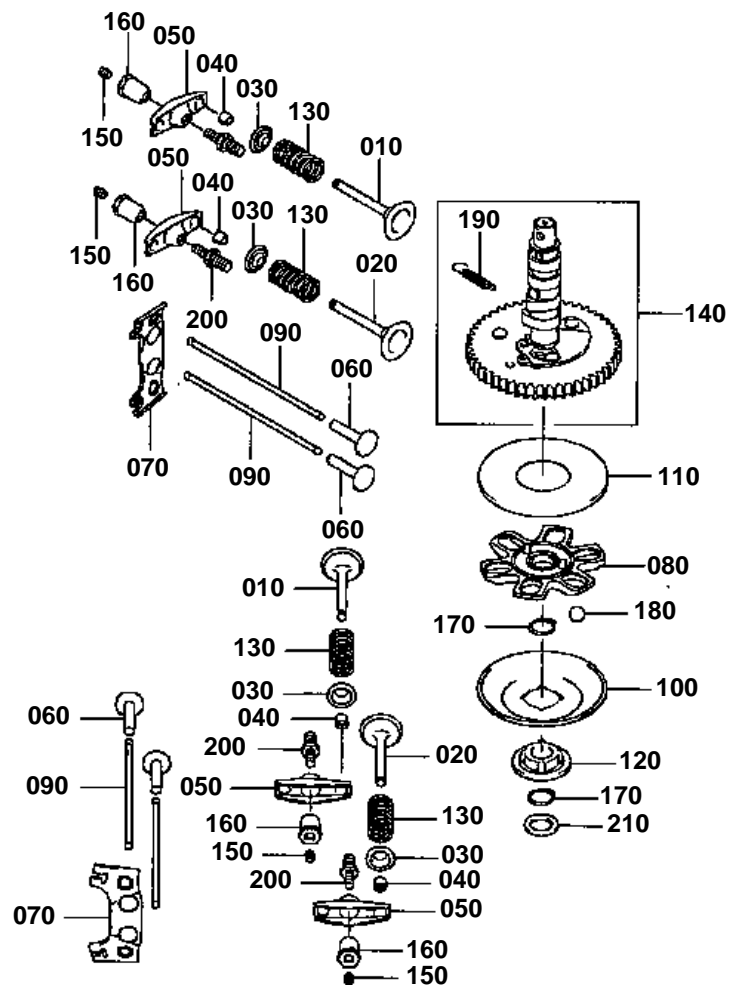
E7196-005-10

**FAN COVER**

↔ Interchangeable; ≠ not interchangeable; ← new for old; → old for new

REF.No	Part No.	Description	Q'ty	S.No.	I/C	REMARKS	Weight (kgf)	Weight (lb)
010	E7195-85220	KIT SCREEN	1				0.01	0.022
020	E7195-76110	COMP BRACKET	1				0.19	0.418
030	E7195-74490	SHROUD ENGINE	1				0.21	0.462
040	E7195-74480	SHROUD ENGINE	1				0.21	0.462
050	E7195-74470	SHROUD ENGINE	1				0.3	0.66
060	E7195-74460	FAN	1				0.1	0.22
070	E7195-85200	KIT FAN HOUSING	1				0.5	1.1
080	E7195-76120	SPACER	3				0.001	0.0022
090	E7195-76130	SPACER	1				0.04	0.088
100	E7195-76140	SPACER	1				0.001	0.0022
110	E7195-76150	WASHER PLAIN	1				0.003	0.0066
120	E3199-31410	BOLT	7				0.005	0.011
130	E7195-76160	BOLT FLANGE	5				0.006	0.0132
140	12499-43110	BOLT FLANGE	1				0.006	0.0132
150	E7199-14510	BOLT FLANGE	2				0.008	0.0176
160	E7199-91200	BOLT FLANGE	1				0.012	0.0264
170	E7195-47190	LABEL WARNING	1				0.001	0.0022
180	E7195-47150	LABEL CAUTION	1				0.04	0.088
190	E7195-47140	LABEL FAN WARNING	1				0.001	0.0022

VALVE AND ROCKER ARM



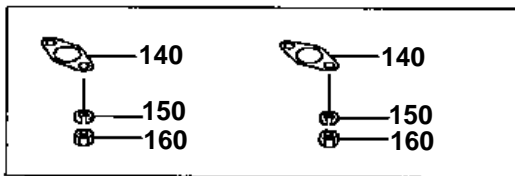
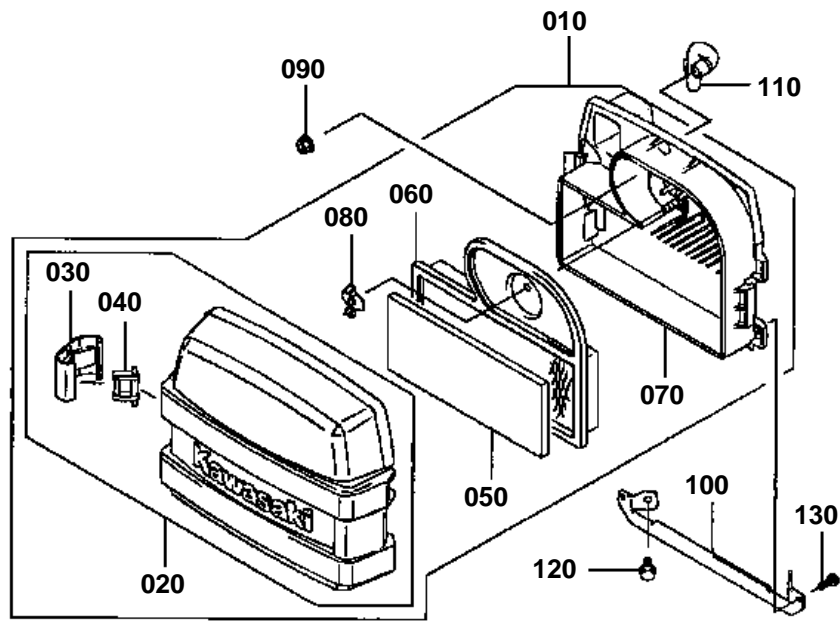
E7196-003-10

**VALVE AND ROCKER ARM**

↔ Interchangeable; ≠ not interchangeable; ← new for old; → old for new

REF.No	Part No.	Description	Q'ty	S.No.	I/C	REMARKS	Weight (kgf)	Weight (lb)
010	E7195-13110	VALVE INTAKE	2				0.04	0.088
020	E7195-13120	VALVE EXHAUST	2				0.024	0.0528
030	E7195-13330	RETAINER SPRING	4				0.004	0.0088
040	LE601-13360	COLLET	8				0.001	0.0022
050	E7195-14020	ARM ROCKER	4				0.016	0.0352
060	E7195-15550	TAPPET	4				0.012	0.0264
070	E7195-10110	GUIDE	2				0.015	0.033
080	E7195-10120	GUIDE	1				0.019	0.0418
090	LE601-15110	PUSH ROD	4				0.013	0.0286
100	E7195-10130	PLATE	1				0.08	0.176
110	E7195-10140	PLATE	1				0.04	0.088
120	E7195-10150	SLEEVE	1				0.04	0.088
130	E7195-13240	SPRING	4				0.01	0.022
140	E7195-16150	COMP.CAMSHAFT	1				0.7	1.54
150	E7195-14230	SCREW	4				0.002	0.0044
160	E3199-16230	NUT	4				0.018	0.0396
170	E7195-10160	RING SNAP	2				0.001	0.0022
180	E7195-10170	BALL	6				0.01	0.022
190	E7195-15150	SPRING	1				0.001	0.0022
200	E7195-10180	BOLT	4				0.012	0.0264
210	E7195-10190	WASHER PLAIN	1				0.006	0.0132

AIR CLEANER



E7196-009-10

**AIR CLEANER**

↔ Interchangeable; ≠ not interchangeable; ← new for old; → old for new

REF.No	Part No.	Description	Q'ty	S.No.	I/C	REMARKS	Weight (kgf)	Weight (lb)
010	E7195-11010	ASSY FILTER AIR	1				0.82	1.804
020	E7195-11160	ASSY CASE AIR FILTER	1				0.33	0.726
030	E7195-18120	HOOK AIR FILTER	2				0.015	0.033
040	E7195-18130	JOINT	2				0.003	0.0066
050	E7195-11220	ELEMENT	1				0.002	0.0044
060	E7195-11210	ELEMENT	1				0.24	0.528
070	E7195-11150	CASE AIR FILTER	1				0.38	0.836
080	E7195-18140	NUT	1				0.04	0.088
090	12499-26430	NUT	2				0.003	0.0066
100	E7195-18110	BRACKET	1				0.08	0.176
110	E7195-18170	TUBE	1				0.02	0.044
120	E3199-31410	BOLT	2				0.005	0.011
130	E7195-18150	SCREW	2				0.04	0.088
140	E7195-12230	GASKET MUFFLER	2				0.003	0.0066

010



020



030



E7196-012-10

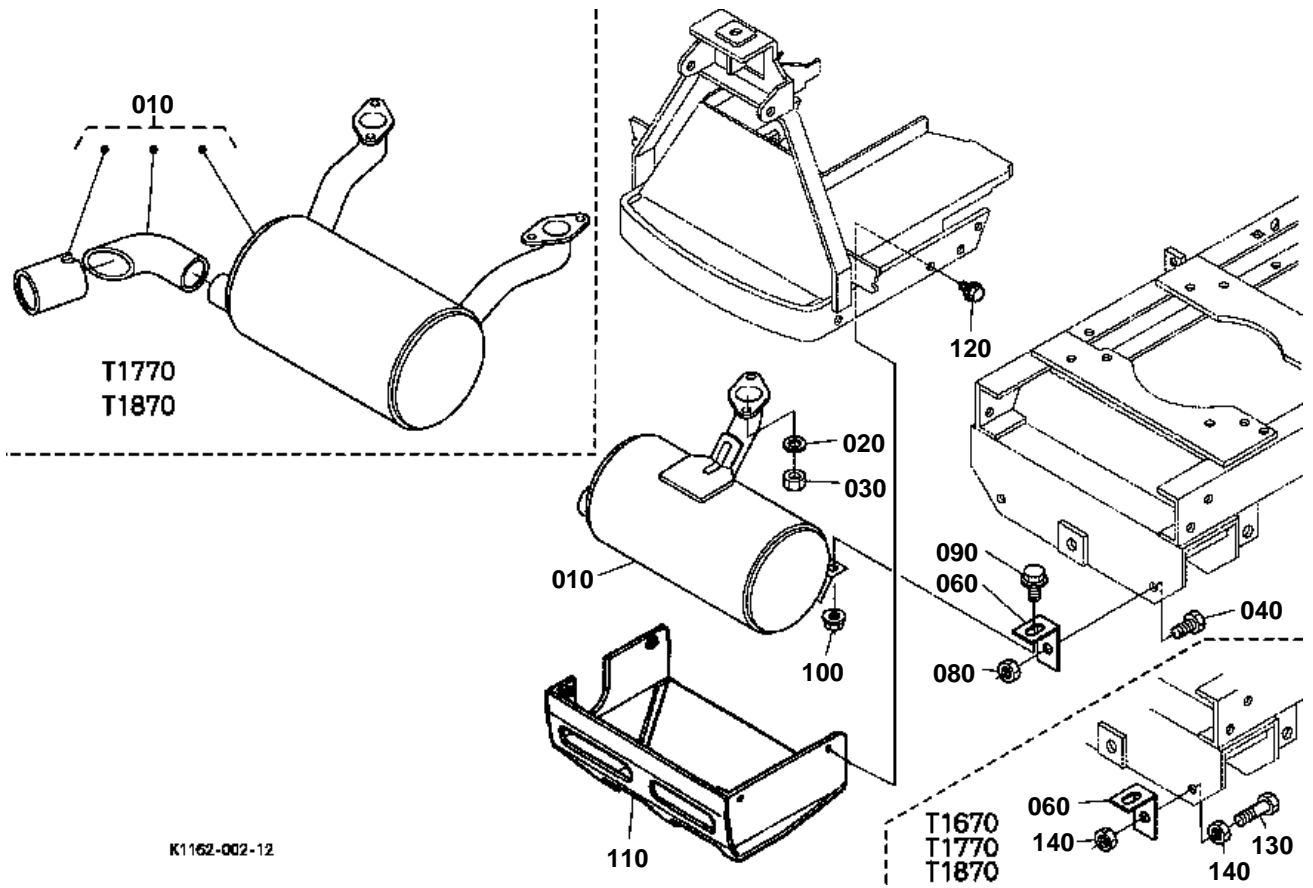


LABEL

↔ Interchangeable; ≠ not interchangeable; ← new for old; → old for new

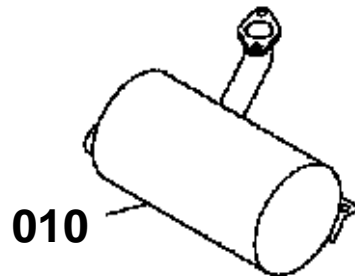
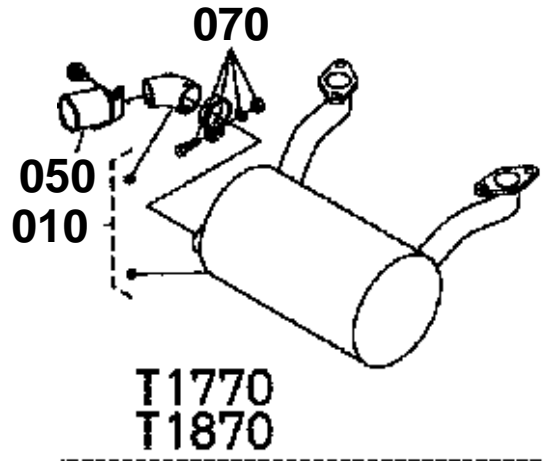
REF.No	Part No.	Description	Q'ty	S.No.	I/C	REMARKS	Weight (kgf)	Weight (lb)
010	E7195-48110	LABEL	1				0.005	0.011
020	E7195-47190	LABEL WARNING	1				0.001	0.0022
030	E7195-47150	LABEL CAUTION	1				0.04	0.088
040	E7195-47140	LABEL FAN WARNING	1				0.001	0.0022

MUFFLER



K1162-002-12

OLD PART



K1162-800-10

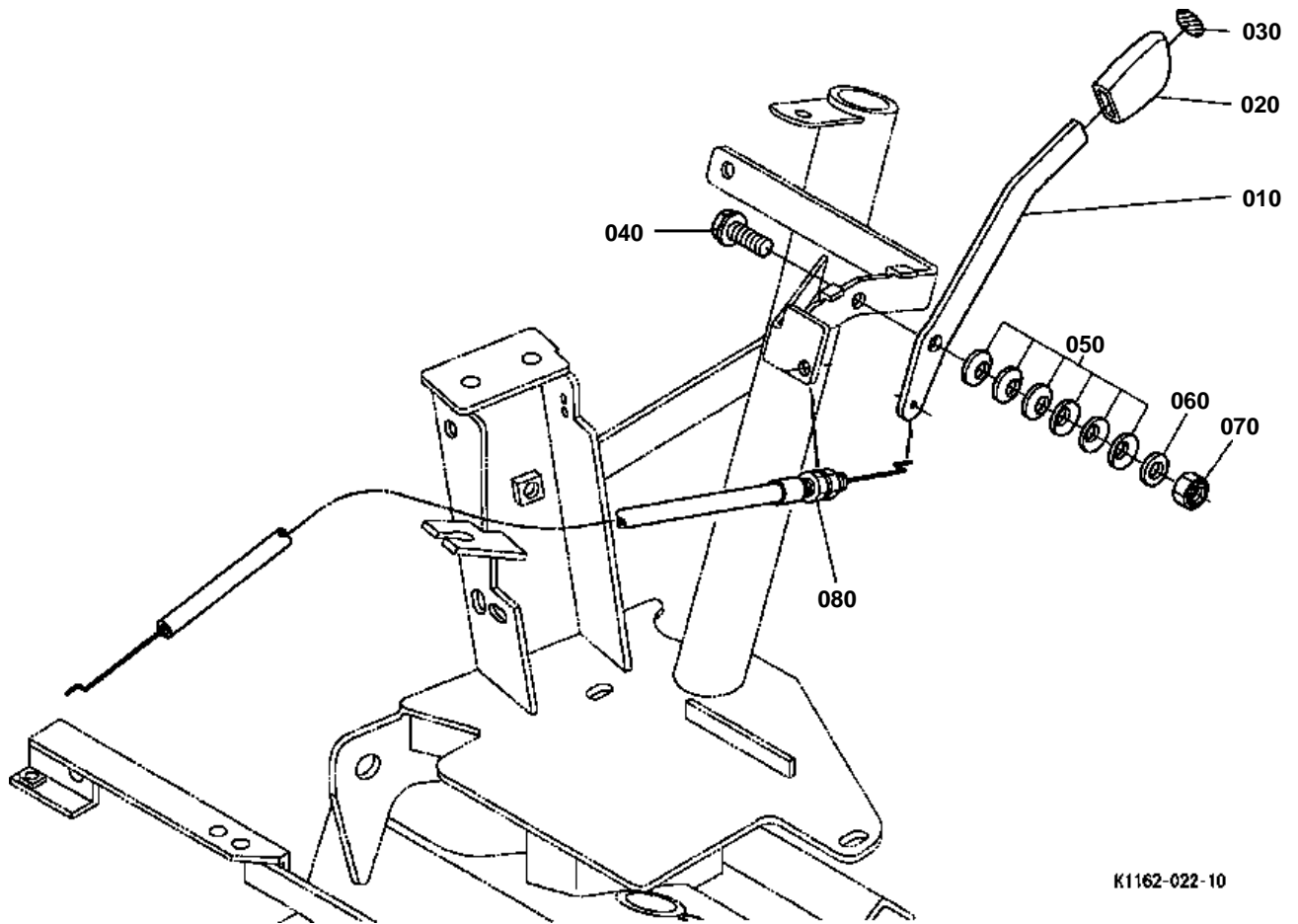


MUFFLER

↔ Interchangeable; ≠ not interchangeable; ← new for old; → old for new

REF.No	Part No.	Description	Q'ty	S.No.	I/C	REMARKS	Weight (kgf)	Weight (lb)
010	K1182-25110	MUFFLER	1	≤10084			0	0
010	K1182-25113	MUFFLER	1	≥10085	←		0	0
010	K1182-25114	MUFFLER	1	≥10250	←		2.79	6.138
020	75599-33012	WASHER SPRING	4				0.002	0.0044
030	02156-50080	NUT	4				0.004	0.0088
050	K1182-25130	PIPE MUFFLER	1	≤10249			0.156	0.3432
070	14431-12430	BAND PIPE	1	≤10249			0.024	0.0528
110	K1162-25210	COVER MUFFLER	1				0.772	1.6984
120	01754-50616	BOLT FLANGE	4				0.006	0.0132
130	01053-51040	BOLT	2				0.035	0.077
140	02014-50100	NUT	4				0.011	0.0242

ACCELERATOR LEVER



K1162-022-10

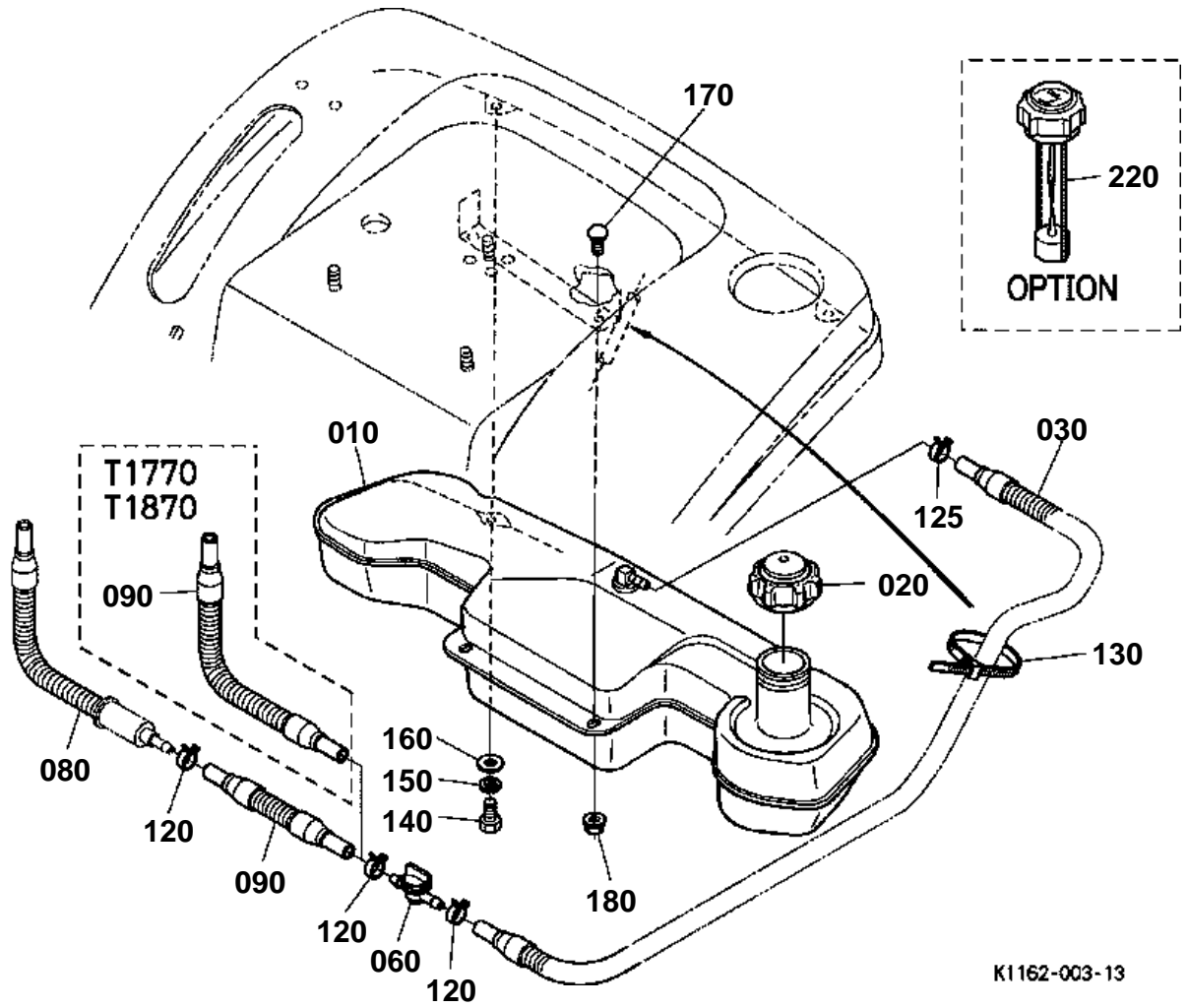


ACCELERATOR LEVER

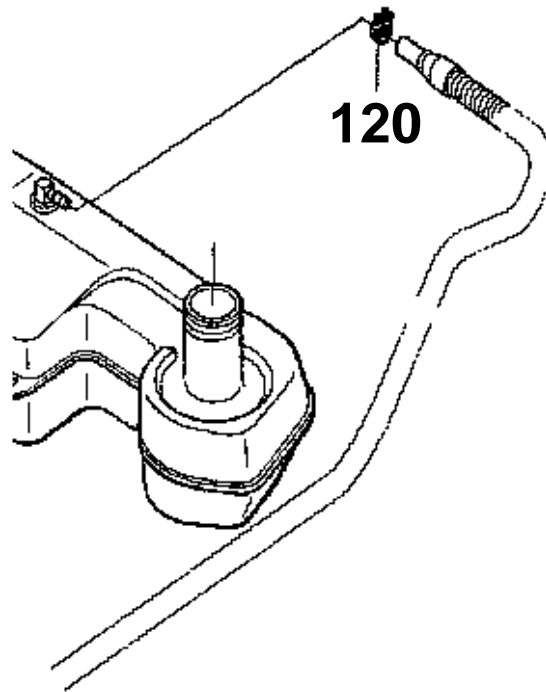
↔ Interchangeable; ≠ not interchangeable; ← new for old; → old for new

REF.No	Part No.	Description	Q'ty	S.No.	I/C	REMARKS	Weight (kgf)	Weight (lb)
010	K1221-45110	LEVER ACCEL	1				0.05	0.11
020	K1122-45120	GRIP ACCEL	1				0.03	0.066
030	K1122-65240	MARK GRIP ACCEL	1				0.001	0.0022
040	01754-50820	BOLT FLANGE	1				0.015	0.033
050	K1122-89470	DISK SPRING	6				0.001	0.0022
060	K1122-89510	WASHER ATA	1				0.002	0.0044
070	K5112-72840	NUT LOCK	1				0.005	0.011
080	K1182-45152	WIRE ENGINE	1				0.09	0.198

FUEL TANK



OLD PART



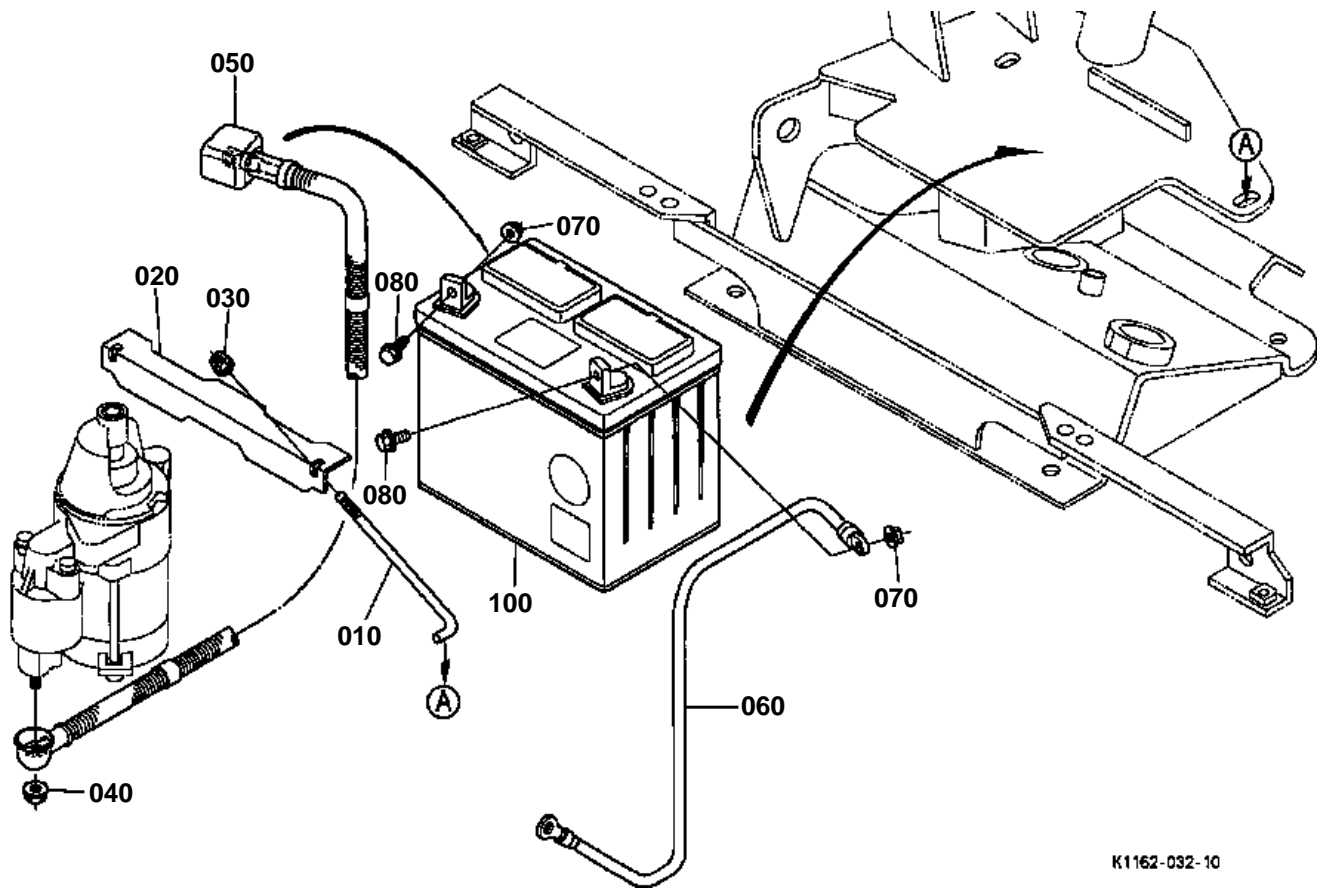
K1162-801-10

**FUEL TANK**

↔ Interchangeable; ≠ not interchangeable; ← new for old; → old for new

REF.No	Part No.	Description	Q'ty	S.No.	I/C	REMARKS	Weight (kgf)	Weight (lb)
010	K1221-24012	TANK FUEL	1				0	0
020	K1211-24120	CAP FUEL	1				0.1	0.22
030	K1122-24020	ASSY HOSE FUEL	1				0.25	0.55
040	99999-99999	BLANK	0				0	0
050	99999-99999	BLANK	0				0	0
060	K1142-24260	VALVE FUEL	1				0.01	0.022
070	99999-99999	BLANK	0				0	0
090	K1182-24030	ASSY HOSE FUEL	1				0.052	0.1144
100	99999-99999	BLANK	0				0	0
110	99999-99999	BLANK	0				0	0
120	09318-88105	CLAMP HOSE	4	≤10374			0.01	0.022
120	09318-88105	CLAMP HOSE	3	≥10375			0.01	0.022
120	E7194-30110	CLAMP HOSE	3	≥11697	←		0.008	0.0176
125	E7194-30110	CLAMP HOSE	1	≥10375			0.008	0.0176
130	K1122-61230	CLAMP CORD	1				0.001	0.0022
140	01053-51018	BOLT	2				0.02	0.044
150	04512-60100	WASHER SPRING	2				0.002	0.0044
160	K1122-21160	WASHER PLAIN	2				0.006	0.0132
170	K1122-91320	BOLT SHORT SQU.NECK	2				0.01	0.022
180	02751-50080	NUT FLANGE	2				0.006	0.0132
190	99999-99999	BLANK	0				0	0
200	99999-99999	BLANK	0				0	0
210	99999-99999	BLANK	0				0	0

BATTERY



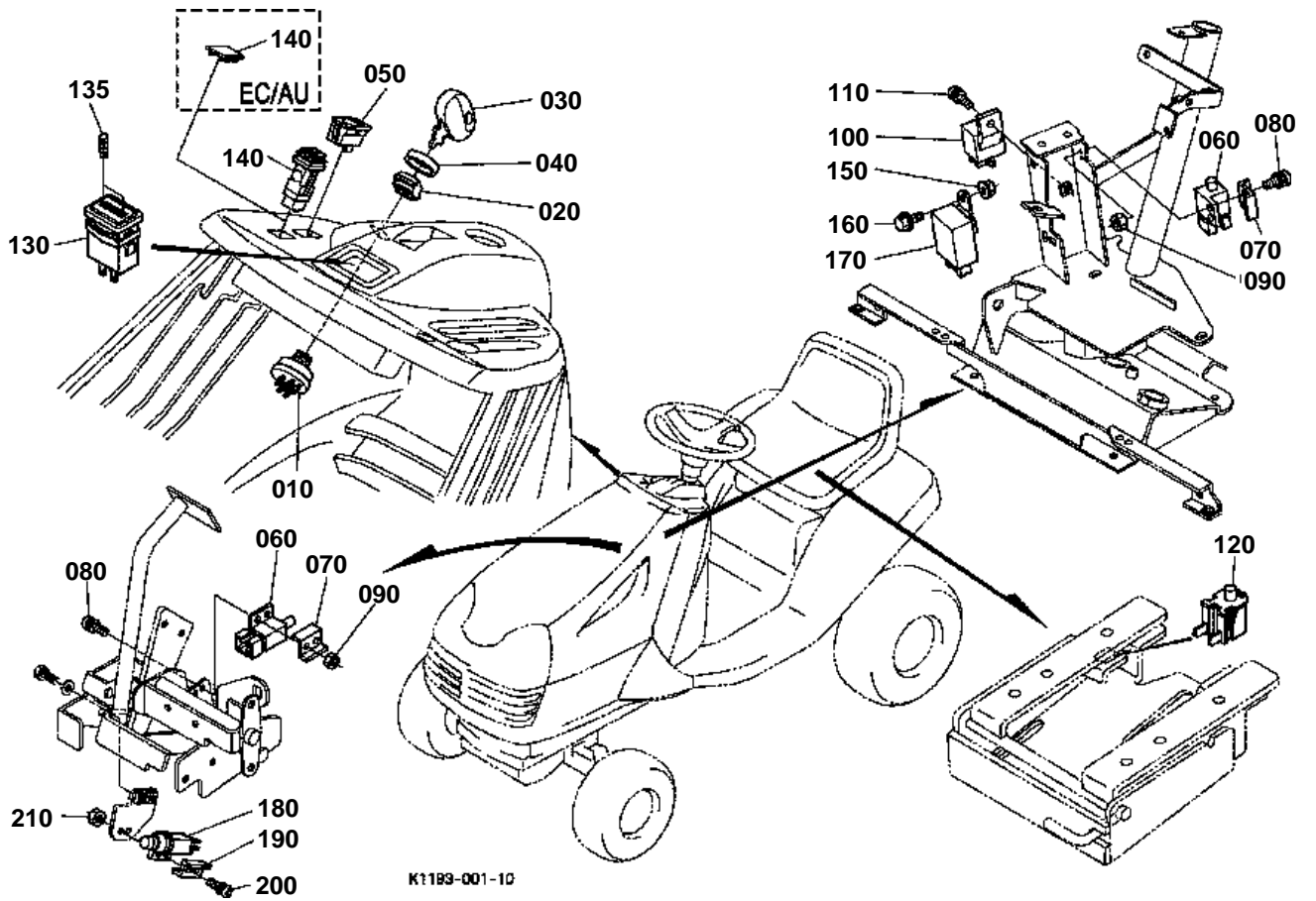
K1162-032-10

**BATTERY**

↔ Interchangeable; ≠ not interchangeable; ← new for old; → old for new

REF.No	Part No.	Description	Q'ty	S.No.	I/C	REMARKS	Weight (kgf)	Weight (lb)
010	K1122-61130	ROD BATTERY	2				0.04	0.088
020	K1122-61120	HOLDER BATTERY	1				0.22	0.484
030	02751-50060	NUT FLANGE	2				0.005	0.011
040	02751-50080	NUT FLANGE	1				0.006	0.0132
050	K1122-61310	CABLE BATTERY(+)	1				0.14	0.308
060	K1122-61350	CABLE BATTERY(-)	1				0.08	0.176
070	02751-50060	NUT FLANGE	2				0.005	0.011
080	01754-50616	BOLT FLANGE	2				0.006	0.0132
090	99999-99999	BLANK	0				0	0
100	K1221-95610	BATTERY DRY	1				6	13.2

ELECTRICAL PARTS

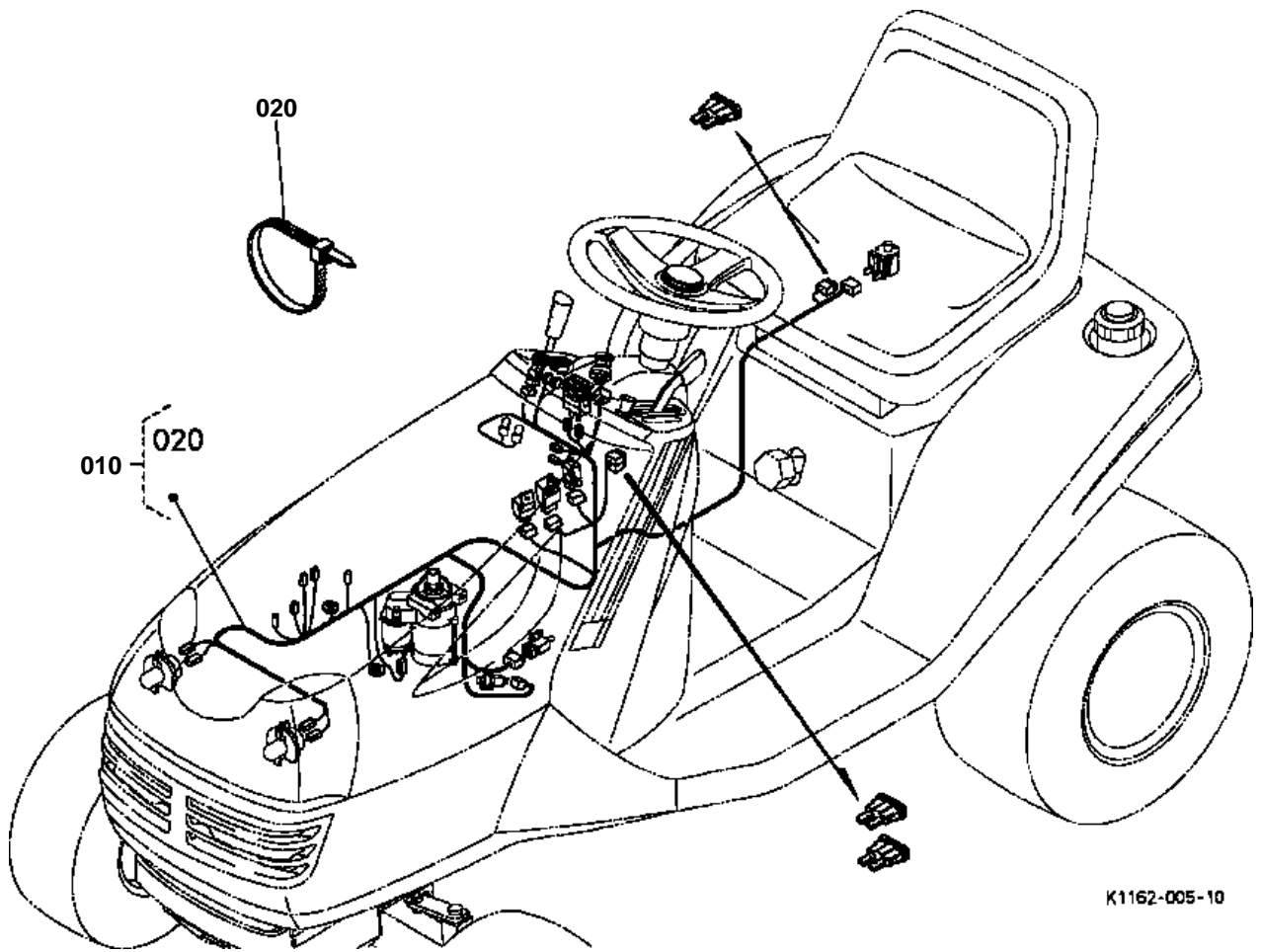




ELECTRICAL PARTS

↔ Interchangeable; ≠ not interchangeable; ← new for old; → old for new

REF.No	Part No.	Description	Q'ty	S.No.	I/C	REMARKS	Weight (kgf)	Weight (lb)
010	K1122-62110	SWITCH MAIN	1				0.06	0.132
020	K1122-62150	NUT SWITCH MAIN	1				0.015	0.033
030	K1122-62130	KEY MAIN SWITCH	2				0.009	0.0198
040	K1122-62160	COVER MAIN SWITCH	1				0.004	0.0088
050	K1122-62210	SWITCH LIGHT	1				0.018	0.0396
060	K1122-62250	SWITCH SAFETY	2				0.02	0.044
070	K1122-62310	RETAINER SWITCH	2				0.003	0.0066
080	03024-50520	SCREW WITH WASHER	4				0.004	0.0088
090	02054-50050	NUT	4				0.002	0.0044
100	K1122-62260	RELAY	1				0.04	0.088
110	03024-50520	SCREW WITH WASHER	1				0.004	0.0088
120	K1122-62280	SWITCH SEAT	1				0.011	0.0242
130	K1122-95820	METER HOUR	1			OPTION	0.1	0.22
140	K2110-62810	SWITCH NMR	1			WITHOUT EC	0.019	0.0418
150	02751-50060	NUT FLANGE	1			WITHOUT EC	0.005	0.011
160	01754-50616	BOLT FLANGE	1			WITHOUT EC	0.006	0.0132
170	K2110-62830	RELAY UNIT NMR	1			WITHOUT EC	0.085	0.187
180	K2110-62840	SWITCH REVERSE	1			WITHOUT EC	0.018	0.0396
190	K1122-62310	RETAINER SWITCH	1			WITHOUT EC	0.003	0.0066
200	03024-50520	SCREW WITH WASHER	2			WITHOUT EC	0.004	0.0088
210	02054-50050	NUT	2			WITHOUT EC	0.002	0.0044



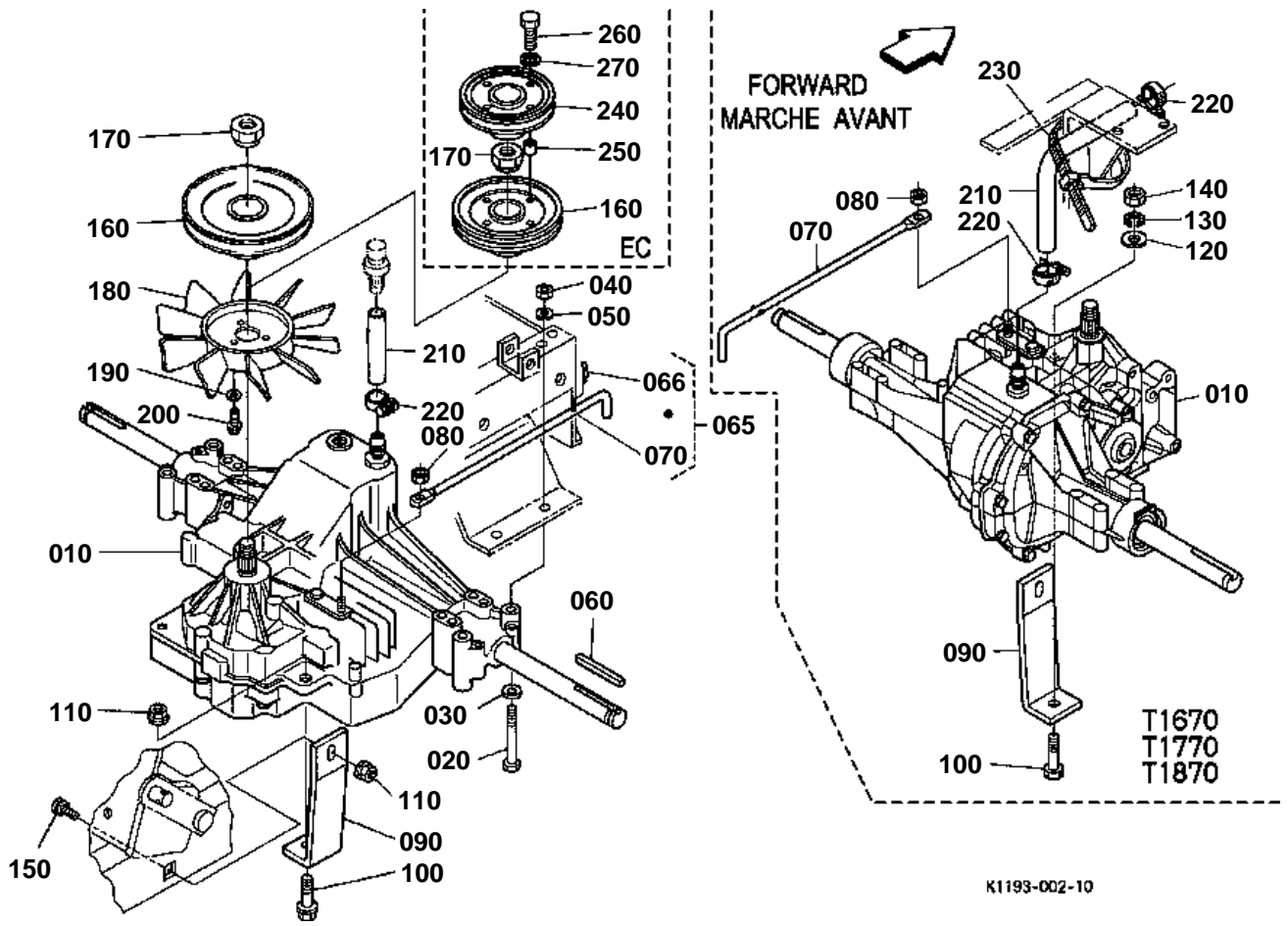
K1162-005-10



ELECTRICAL WIRING
[A][CA][AU]

↔ Interchangeable; ≠ not interchangeable; ← new for old; → old for new

REF.No	Part No.	Description	Q'ty	S.No.	I/C	REMARKS	Weight (kgf)	Weight (lb)
010	K1182-61513	ASSY WIRE HARNESSNMR	1				0.71	1.562
020	K1122-61230	CLAMP CORD	21				0.001	0.0022



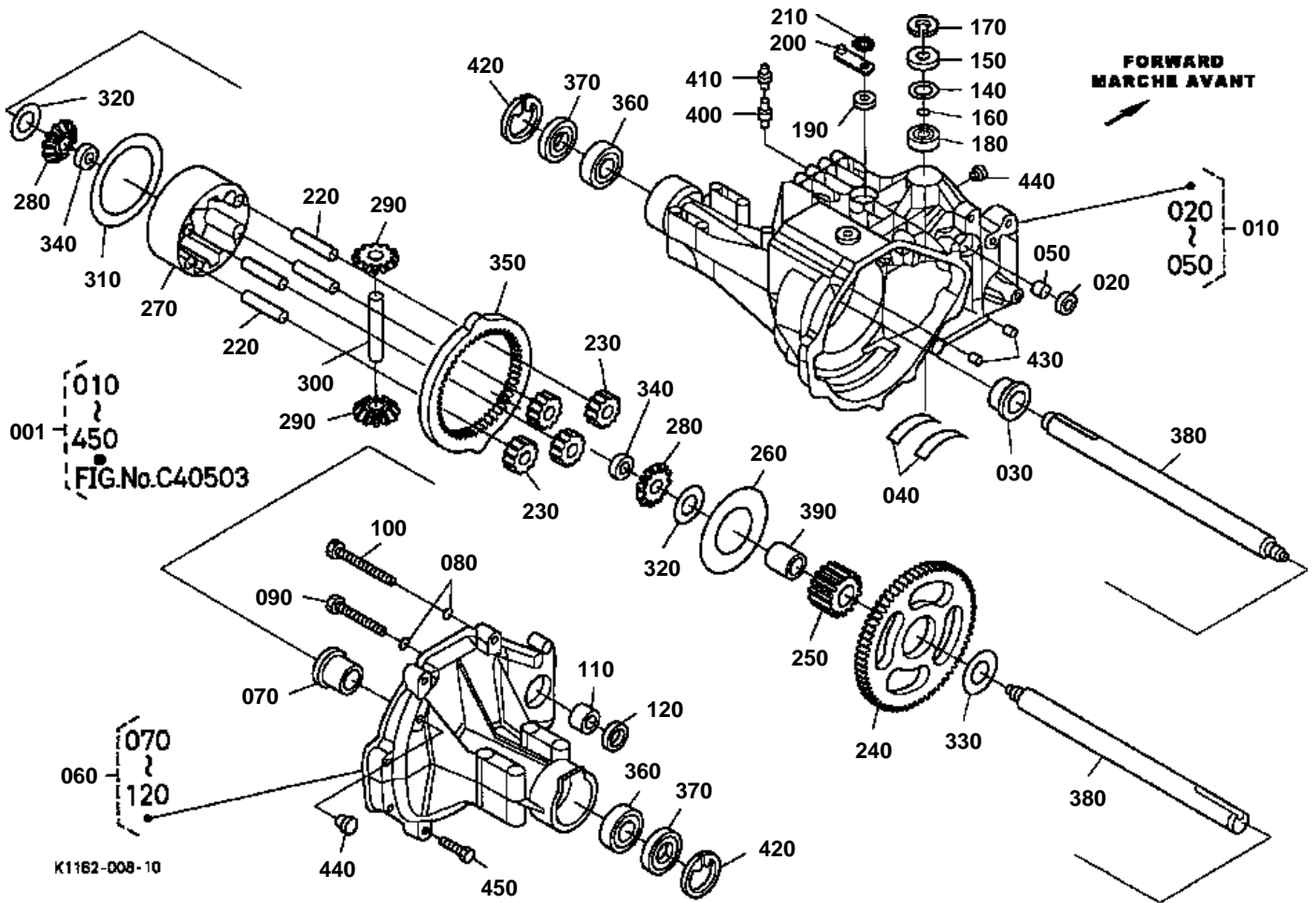


HST

↔ Interchangeable; ≠ not interchangeable; ← new for old; → old for new

REF.No	Part No.	Description	Q'ty	S.No.	I/C	REMARKS	Weight (kgf)	Weight (lb)
010	K1132-11110	ASSY HST TRANSAXLE	1				26.2	57.64
020	01754-50875	BOLT FLANGE	4				0.03	0.066
030	K5112-72830	WASHER PLAIN	4				0.005	0.011
040	02054-50080	NUT	4				0.005	0.011
050	75599-33012	WASHER SPRING	4				0.002	0.0044
060	K1142-11210	KEY REAR AXLE	2				0.01	0.022
070	K1172-11510	ROD HST BYPASS	1				0.075	0.165
080	75599-31910	NUT LOCKING	1				0	0
090	K1132-11850	PLATE TORQUE STRAP	1				0.44	0.968
100	01053-50855	BOLT	1				0.022	0.0484
110	02751-50080	NUT FLANGE	1				0.006	0.0132
120	75599-33012	WASHER SPRING	1				0.002	0.0044
130	K5112-72830	WASHER PLAIN	1				0.005	0.011
140	02054-50080	NUT	1				0.005	0.011
150	K1122-91320	BOLT SHORT SQU.NECK	1				0.01	0.022
160	K1122-11130	PULLEY HST	1			WITHOUT EC	0.55	1.21
170	K1122-11150	NUT CONICAL	1				0.017	0.0374
180	K1143-11140	FAN	1				0.08	0.176
190	75599-32008	WASHER PLAIN	3				0.001	0.0022
200	03024-50512	SCREW WITH WASHER	3			WITHOUT EC	0.003	0.0066
210	K1211-11160	TUBE BREATHER	1				0.07	0.154
220	K1211-11170	CLAMP HOSE	2				0.02	0.044
230	K1211-61230	CABLE TIE	1				0.008	0.0176

HST (COMPONENT PARTS)

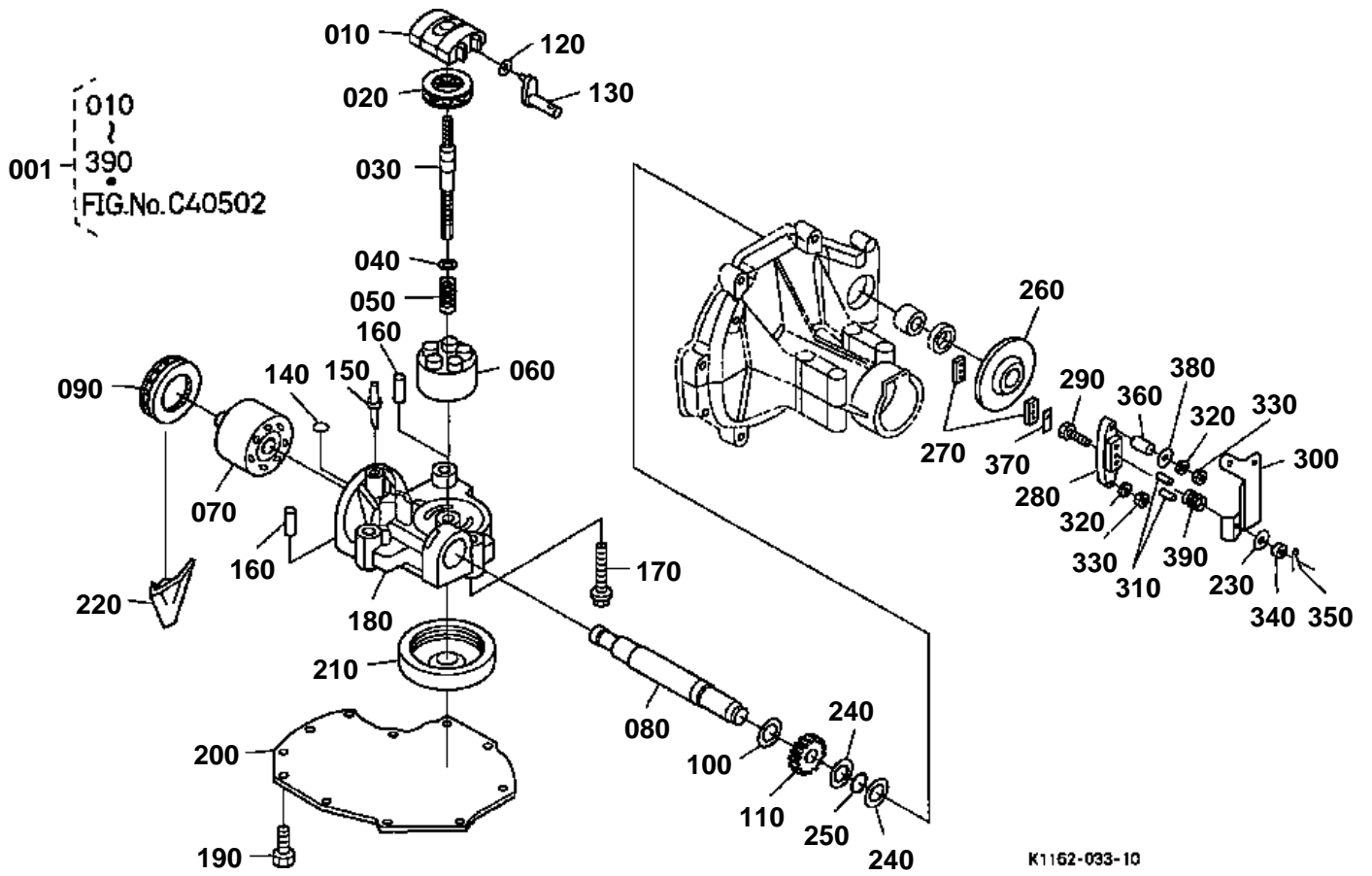




HST (COMPONENT PARTS)

↔ Interchangeable; ≠ not interchangeable; ← new for old; → old for new

REF.No	Part No.	Description	Q'ty	S.No.	I/C	REMARKS	Weight (kgf)	Weight (lb)
001	K1132-11110	ASSY HST TRANSAXLE	1				26.2	57.64
010	K1211-80930	ASSY MAIN HOUSING	1				5.4	11.88
020	K1122-81490	SEAL-LIP	1				0.005	0.011
030	K1211-81850	FLANGE BEARING	1				0.09	0.198
040	K1122-81070	BEARING-CRADLE	2				0.012	0.0264
050	K1211-81640	TRUNNION BUSHING	1				0.015	0.033
060	K1211-81020	R.H.HOUSING ASSY	1				1.716	3.7752
070	K1211-81850	FLANGE BEARING	1				0.09	0.198
080	K1211-81890	O RING	2				0.001	0.0022
090	K1211-81950	RIB NECK BOLT	1				0.02	0.044
100	K1211-81400	RIB NECK BOLT	1				0.021	0.0462
110	K1211-81880	NEEDLE BEARING(SCE)	1				0.03	0.066
120	K1211-81190	LIP SEAL	1				0.01	0.022
130	99999-99999	BLANK	0				0	0
140	K1211-81600	SPACER	1				0.001	0.0022
150	K1122-81030	SEAL-LIP	1				0.01	0.022
160	K1122-81040	RING-WIRE RETAINING	1				0.001	0.0022
170	K1122-81050	RING-RETAINING	1				0.003	0.0066
180	K1122-81060	BEARING-SHAFT BALL	1				0.05	0.11
190	K1122-81160	SEAL-LIP	1				0.005	0.011
200	K1122-81230	ARM-BYPASS	1				0.026	0.0572
210	K1122-81240	RING-RETAINING	1				0.001	0.0022
220	K1211-81740	PIN CARRIER	4				0.062	0.1364
230	K1211-81750	PLANET GEAR	4				0.109	0.2398
240	K1211-81760	SPUR GEAR	1				1.175	2.585
250	K1211-81770	TOOTH SUN GEAR	1				0.31	0.682
260	K1211-81780	PLANET THRUST PLATE	1				0.05	0.11
270	K1211-81800	PLANETARY CARRIER	1				1.15	2.53
280	K1211-81810	MITER GEAR DIF.SPLND	2				0.15	0.33
290	K1211-81820	MITER GEAR DIFF.	2				0.17	0.374
300	K1211-81830	SHAFT DIFFERENTIAL	1				0.11	0.242
310	K1211-81840	DIFF.THRUST PLATE	1				0.04	0.088
320	K1211-81410	WASHER	2				0.01	0.022
330	K1211-81330	WASHER	1				0.018	0.0396
340	K1211-81320	HEX JAM NUT	2				0.022	0.0484
350	K1211-81790	RING GEAR	1				0.92	2.024
360	K1211-81420	BALL BEARING	2				0.132	0.2904
370	K1211-81340	SEAL	2				0.03	0.066
380	K1132-81860	SHAFT AXLE	2				1.37	3.014
390	K1211-81900	SLEEVE BEARING	1				0.085	0.187
400	K1122-81460	ASSY FITTING-O RING	1				0.01	0.022
410	K1122-81450	CAP-VENT ASSEMBLY	1				0.004	0.0088
420	K1211-81050	RETAINING RING	2				0.01	0.022
430	K1211-81910	STD HDLS PIN	2				0.002	0.0044
440	K1211-81030	PLUG SRT.THR	2				0.013	0.0286
450	K1211-81360	OR-HEAD SCREW	9				0.015	0.033

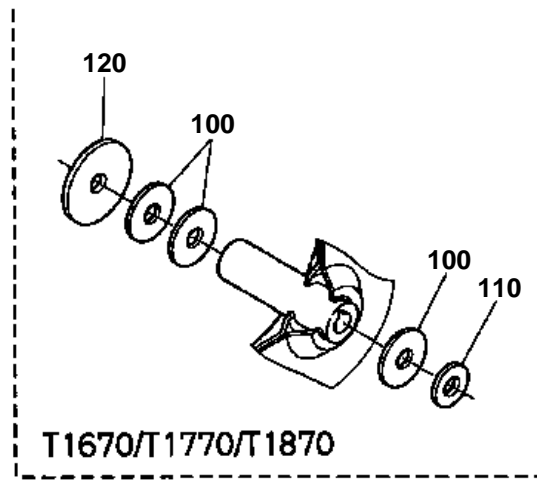
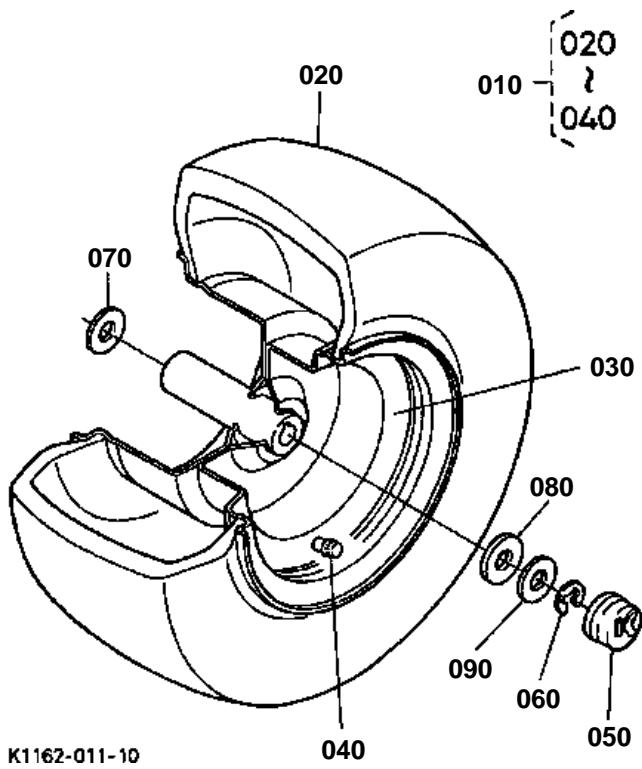


**HST (COMPONENT PARTS)**

↔ Interchangeable; ≠ not interchangeable; ← new for old; → old for new

REF.No	Part No.	Description	Q'ty	S.No.	I/C	REMARKS	Weight (kgf)	Weight (lb)
001	K1132-11110	ASSY HST TRANSAXLE	1				26.2	57.64
010	K1122-81090	SWASHPLATE-VARIABLE	1				0.21	0.462
020	K1211-81080	THRUST BEARING	1				0.108	0.2376
030	K1122-81350	SHAFT-INPUT	1				0.179	0.3938
040	K1122-81440	WASHER BLOCK THRUST	1				0.002	0.0044
050	K1122-81430	SPRING BLOCK	1				0.005	0.011
060	K1122-81100	ASSY BLOCK-CYLINDER	1				0.57	1.254
070	K1122-81150	BLOCK-CYLINDER/MOTOR	1				0.93	2.046
080	K1211-81130	OUTPUT(MOTOR)SHAFT	1				0.715	1.573
090	K1211-81140	THRUST BEARING	1				0.21	0.462
100	K1211-81610	SPACER	1				0.016	0.0352
110	K1211-81620	PINION GEAR	1				0.08	0.176
120	K1122-81120	GUIDE-SLOT	1				0.006	0.0132
130	K1122-81110	ARM-TRUNNION	1				0.05	0.11
140	K1122-81520	PLATE BYPASS	1				0.001	0.0022
150	K1122-81170	ACTUATOR-BYPASS	1				0.03	0.066
160	K1122-81370	PIN	2				0.011	0.0242
170	K1122-81540	BOLT	3				0.04	0.088
180	K1132-81180	ASSY CENTER SECTION	1				1.22	2.684
190	K1211-81670	SCREW-SELF TAPPING	11				0.008	0.0176
200	K1132-81680	LOWER COVER	1				1.12	2.464
210	K1132-81220	OIL FILTER ELEMENT	1				0.06	0.132
220	K1211-81730	RETAINER MOTR BEAING	1				0.035	0.077
230	K1122-81300	WASHER	1				0.004	0.0088
240	K1211-81210	WASHER	2				0.008	0.0176
250	K1211-81200	RETAINING RING	1				0.01	0.022
260	K1211-81290	BRAKE DISK	1				0.2	0.44
270	K1211-81940	PUCK BRAKE	2				0.003	0.0066
280	K1211-81960	BRAKE YOKE	1				0.115	0.253
290	K1211-81270	BOLT SQUARE HEAD	1				0.011	0.0242
300	K1132-81250	ARM BRAKE	1				0.13	0.286
310	K1211-81260	PINS BRAKE	2				0.007	0.0154
320	K1211-81300	LOCKWASHER	2				0.001	0.0022
330	K1211-81510	NUT	2				0.003	0.0066
340	K1122-81470	CASTLE NUT	1				0.008	0.0176
350	K1122-81480	COTTERPIN	1				0.001	0.0022
360	K1211-81970	SPACER	1				0.021	0.0462
370	K1211-81520	PUCK PLATE	1				0.007	0.0154
380	K1211-81440	WASHER	1				0.009	0.0198
390	K1211-81500	COMP.SPRING BRAKE	1				0.006	0.0132

REAR WHEEL

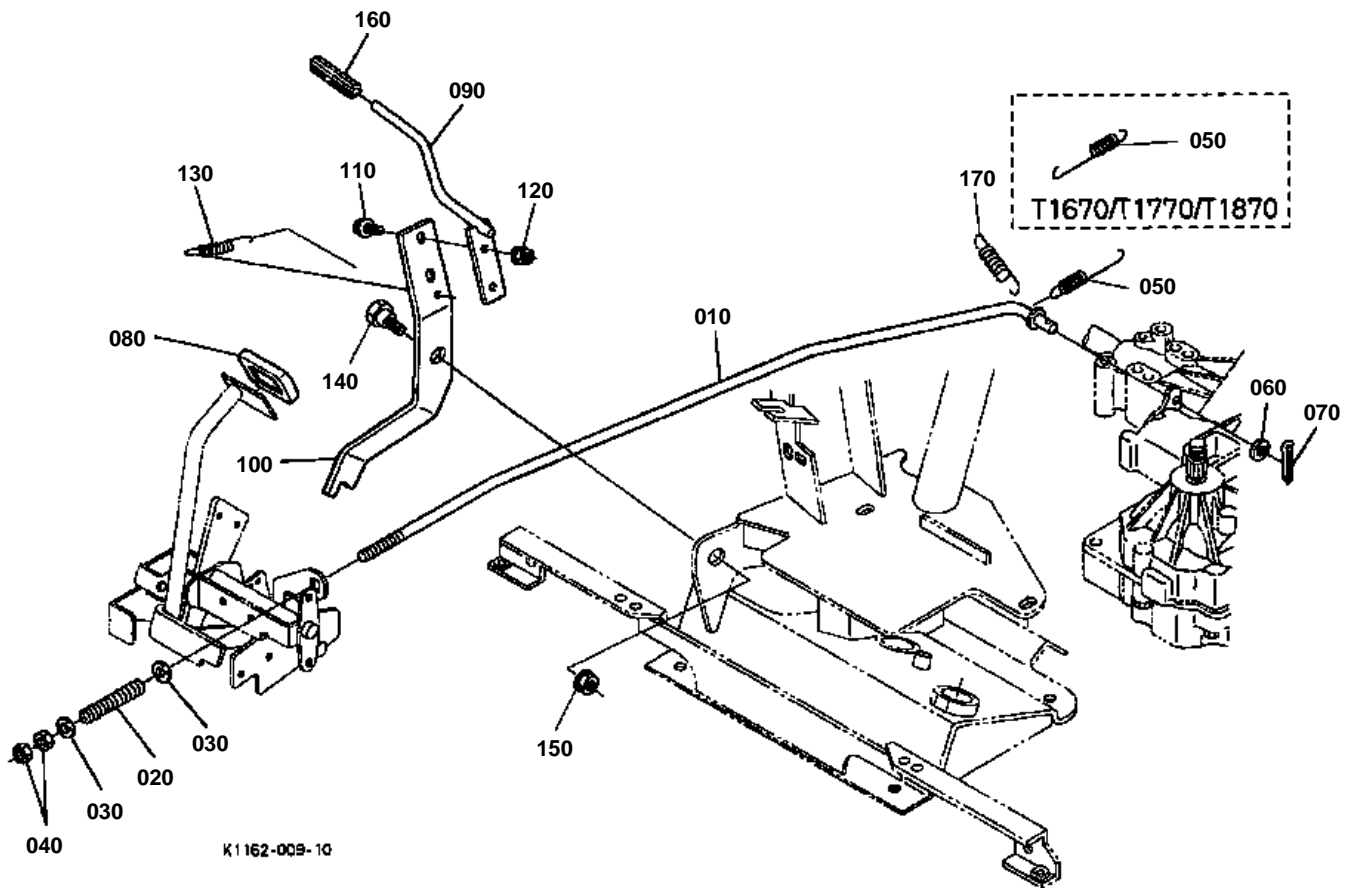


**REAR WHEEL**

↔ Interchangeable; ≠ not interchangeable; ← new for old; → old for new

REF.No	Part No.	Description	Q'ty	S.No.	I/C	REMARKS	Weight (kgf)	Weight (lb)
010	K1172-11710	ASSY TIRE WHEEL REAR	2				8.8	19.36
020	K1172-11810	TIRE	2				5.5	12.1
030	K1172-11820	WHEEL	2				3.4	7.48
040	K1172-11830	VALVE STEM	2				0.01	0.022
050	K1122-15780	CAP WHEEL FRONT	2				0.02	0.044
060	K1132-11720	E-RING	2				0.002	0.0044
100	K1142-11740	WASHER CAP	6				0.015	0.033
110	K1142-11240	WASHER	2			0.65mm	0.003	0.0066
110	K1142-11250	WASHER PLAIN	2			1.25mm	0.005	0.011
110	K1142-11260	WASHER PLAIN	2			2.00mm	0.008	0.0176
110	K1142-11270	WASHER	2			3.00mm	0.16	0.352
120	K1132-11770	WASHER WHEEL	2				0.083	0.1826

BRAKE ROD

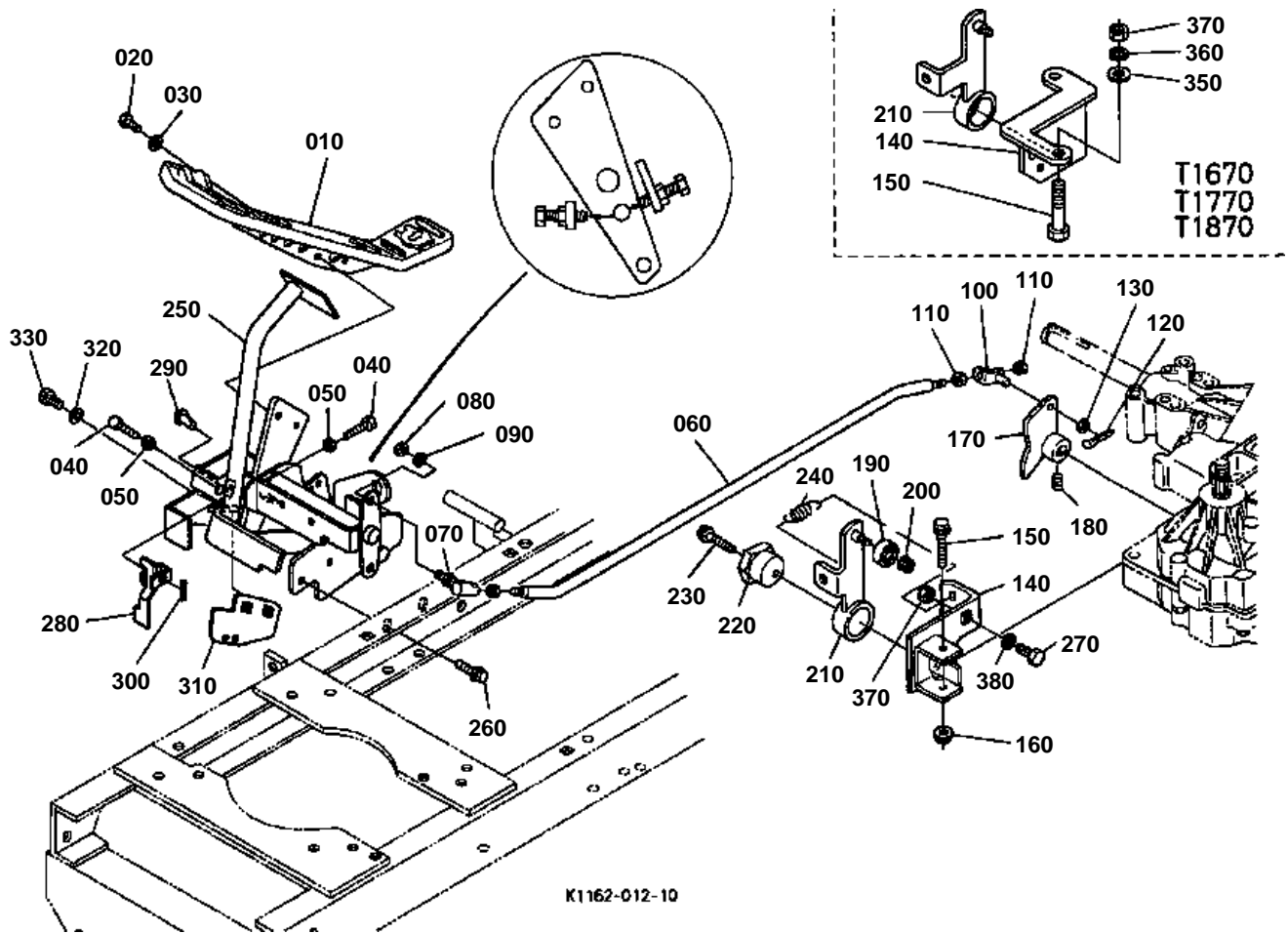


**BRAKE ROD**

↔ Interchangeable; ≠ not interchangeable; ← new for old; → old for new

REF.No	Part No.	Description	Q'ty	S.No.	I/C	REMARKS	Weight (kgf)	Weight (lb)
010	K1132-43110	ROD BRAKE	1				0.28	0.616
020	K1122-43120	SPRING BRAKE	1				0.04	0.088
030	75599-32012	WASHER PLAIN	2				0.002	0.0044
040	02054-50080	NUT	2				0.005	0.011
050	K1122-43140	SPRING RETURN BRAKE	1				0.045	0.099
060	75599-32012	WASHER PLAIN	1				0.002	0.0044
070	75599-53152	PIN COTTER	1				0.001	0.0022
080	K1122-43150	COVER BRAKE PEDAL	1				0.022	0.0484
090	K1122-43210	PEDAL PARKING LOCK	1				0.13	0.286
100	K1122-43220	LOCK BRAKE	1				0.32	0.704
110	01754-50820	BOLT FLANGE	2				0.015	0.033
120	02751-50080	NUT FLANGE	2				0.006	0.0132
130	K1122-43230	SPRING PARKING LOCK	1				0.02	0.044
140	K1122-43280	BOLT SHOULDER	1				0.044	0.0968
150	K1122-91960	NUT FLANGE	1				0.012	0.0264
160	K1122-43250	COVER PARKING BRAKE	1				0.007	0.0154

SPEED CHANGE PEDAL

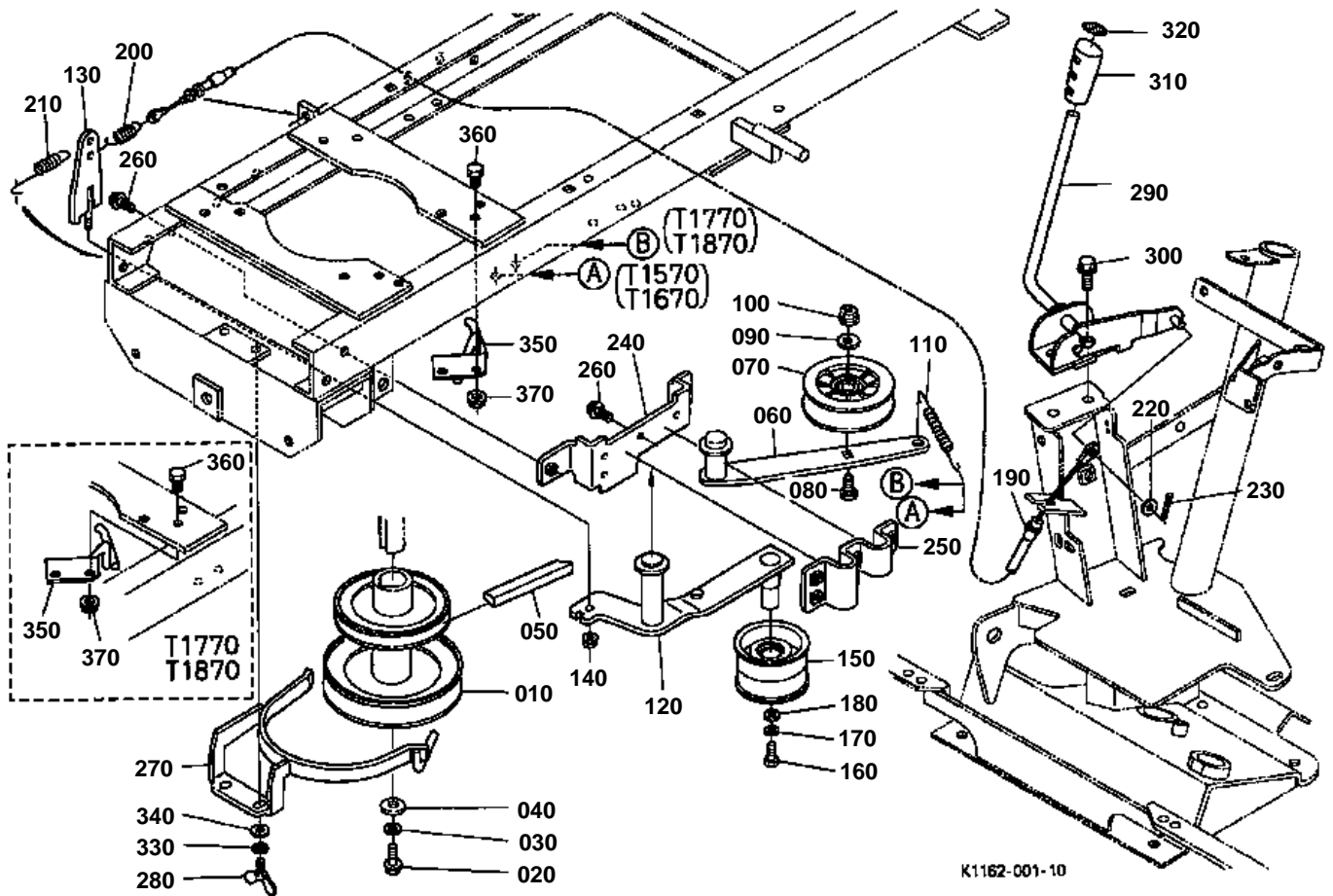


**SPEED CHANGE PEDAL**

↔ Interchangeable; ≠ not interchangeable; ← new for old; → old for new

REF.No	Part No.	Description	Q'ty	S.No.	I/C	REMARKS	Weight (kgf)	Weight (lb)
010	K1122-42010	PEDAL SPEED CHANGE	1				0.54	1.188
020	01053-50818	BOLT	2				0.011	0.0242
030	75599-33012	WASHER SPRING	2				0.002	0.0044
040	01155-50840	BOLT	2				0.02	0.044
050	02054-50080	NUT	2				0.005	0.011
060	K1132-42020	ROD SPEED CHANGE	1				0.575	1.265
070	K1122-42080	ROD END	1				0.03	0.066
080	75599-31022	NUT	2				0.015	0.033
090	75599-33012	WASHER SPRING	1				0.002	0.0044
100	K1122-42120	BRACKET L	1				0.06	0.132
110	02018-50100	NUT	2				0.011	0.0242
120	75599-53152	PIN COTTER	1				0.001	0.0022
130	75599-32012	WASHER PLAIN	1				0.002	0.0044
140	K1211-42110	HOLDER N.ARM	1				0.42	0.924
150	01053-50860	BOLT	1				0.024	0.0528
160	02054-50080	NUT	1				0.005	0.011
170	K1132-42030	ARM SPEED CHANGE	1				0.18	0.396
180	K1122-91980	SCREW SET	1				0.004	0.0088
190	08141-06000	BEARING BALL	1				0.017	0.0374
200	02751-50080	NUT FLANGE	1				0.006	0.0132
210	K1211-42040	ARM NEUTRAL	1				0.22	0.484
220	K1122-42070	SHAFT HOLDER	1				0.14	0.308
230	01754-50840	BOLT FLANGE	1				0.02	0.044
240	K1122-42090	SPRING NEUTRAL	1				0.025	0.055
250	K1162-43010	PEDAL SYSTEM COMP	1				3.515	7.733
260	01754-50820	BOLT FLANGE	3				0.015	0.033
270	75599-02215	HEX.BOLT	1				0.001	0.0022
280	K2110-43510	LEVER SW-R	1			WITHOUT EC	0.08	0.176
290	75599-51227	PIN CLEVIS	1			WITHOUT EC	0.014	0.0308
300	75599-53170	PIN COTTER	1			WITHOUT EC	0	0
310	K2110-43520	PLATE SW-R	1			WITHOUT EC	0.055	0.121
320	75599-32110	WASHER PLAIN	2			WITHOUT EC	0	0
330	01754-50620	BOLT FLANGE	2			WITHOUT EC	0.007	0.0154
340	99999-99999	BLANK	0				0	0
350	K5112-72830	WASHER PLAIN	1				0.005	0.011
360	75599-33012	WASHER SPRING	1				0.002	0.0044
380	75599-33012	WASHER SPRING	1				0.002	0.0044

PTO CLUTCH CONTROL LEVER/WIRE



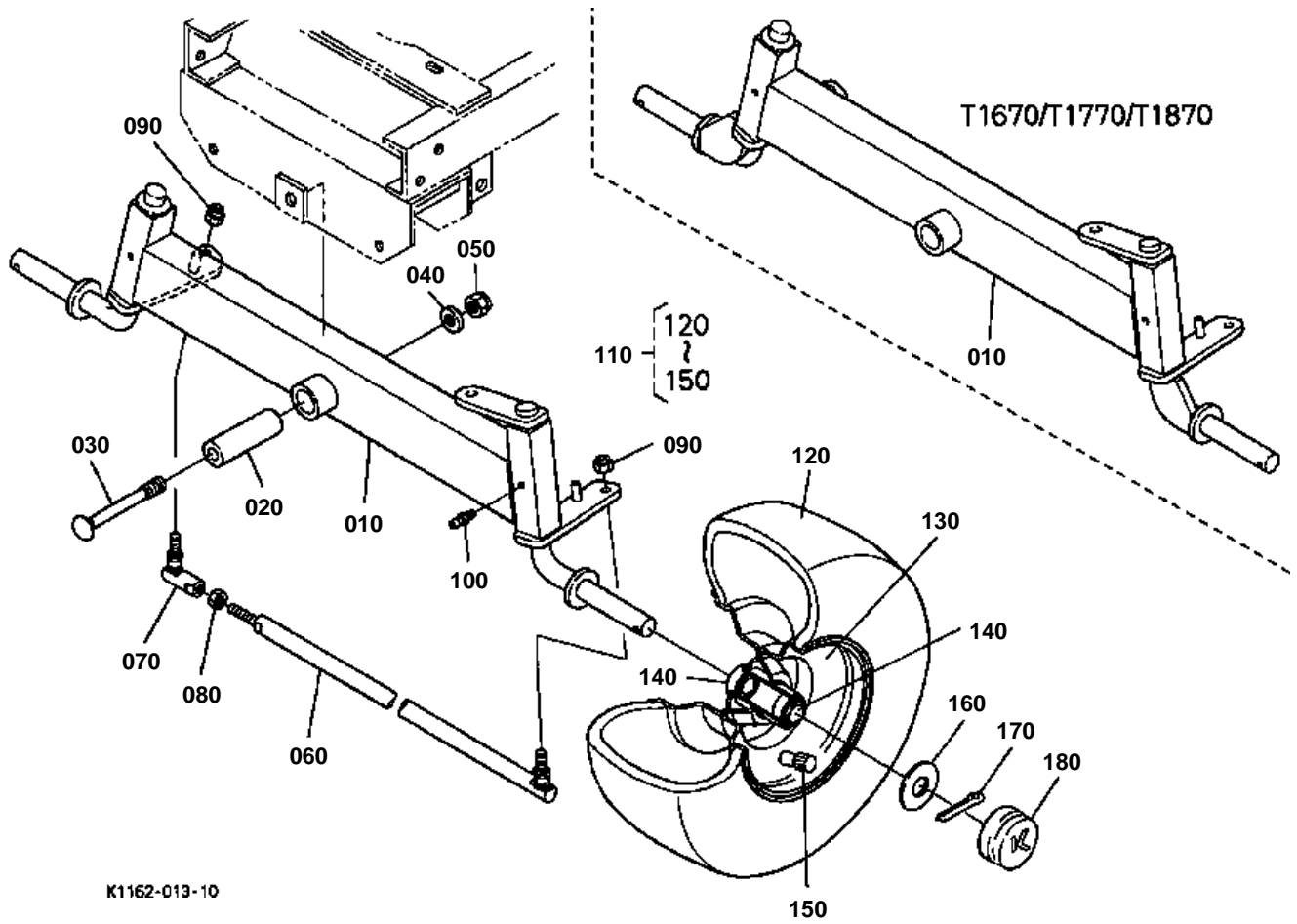


PTO CLUTCH CONTROL LEVER/WIRE

↔ Interchangeable; ≠ not interchangeable; ← new for old; → old for new

REF.No	Part No.	Description	Q'ty	S.No.	I/C	REMARKS	Weight (kgf)	Weight (lb)
010	K1122-26110	PULLEY ENGINE	1				1.27	2.794
020	0Y107-50740	BOLT	1				0	0
030	75599-33014	WASHER SPRING LOCK	1				0.006	0.0132
040	75599-32014	WASHER PLAIN	1				0.005	0.011
050	K1182-26130	V-BELT	1				0.24	0.528
060	K1142-26220	ARM TENSION	1				0.4	0.88
070	K1122-26210	PULLEY TENSION HST	1				0.15	0.33
080	0Y169-50828	BOLT SHORT SQU.NECK	1				0.06	0.132
090	75599-32015	WASHER PLAIN	1				0.01	0.022
100	0Y274-50080	NUT FLANGE	1				0.002	0.0044
110	K1122-26250	SPRING TENSION HST	1				0.025	0.055
120	K1142-26320	ARM TENSION	1				0.77	1.694
130	K1122-26330	ARM TENSION	1				0.11	0.242
140	02751-50080	NUT FLANGE	1				0.006	0.0132
150	K1122-26310	PULLY TENSION PTO	1				0.37	0.814
160	01053-50818	BOLT	1				0.011	0.0242
170	75599-33012	WASHER SPRING	1				0.002	0.0044
180	K5112-72830	WASHER PLAIN	1				0.005	0.011
190	K1122-46120	WIRE PTO	1				0.13	0.286
200	K1122-26370	SPRING PTO	1				0.045	0.099
210	K1122-26380	SPRING RETURN	1				0.01	0.022
220	75599-32012	WASHER PLAIN	1				0.002	0.0044
230	75599-53170	PIN COTTER	1				0	0
240	K1122-95630	BRACKET TENSION	1				0.4	0.88
250	K1122-26350	HOLDER TENSION	1				0.17	0.374
260	01754-50820	BOLT FLANGE	6				0.015	0.033
270	K1142-26410	RETAINER BELT	1				0.45	0.99
280	01811-50815	BOLT WING	2				0.025	0.055
290	K1162-46130	LEVER PTO COMP	1				0.8	1.76
300	01754-50820	BOLT FLANGE	2				0.015	0.033
310	K1122-46110	GRIP PTO	1				0.04	0.088
320	K1122-65230	MARK GRIP PTO	1				0.001	0.0022
330	75599-33012	WASHER SPRING	2				0.002	0.0044
340	75599-32012	WASHER PLAIN	2				0.002	0.0044
350	K1182-26420	RETAINER HST BELT	1				0.14	0.308
360	01053-50820	BOLT	1				0.012	0.0264
370	02751-50080	NUT FLANGE	1				0.006	0.0132

FRONT WHEEL



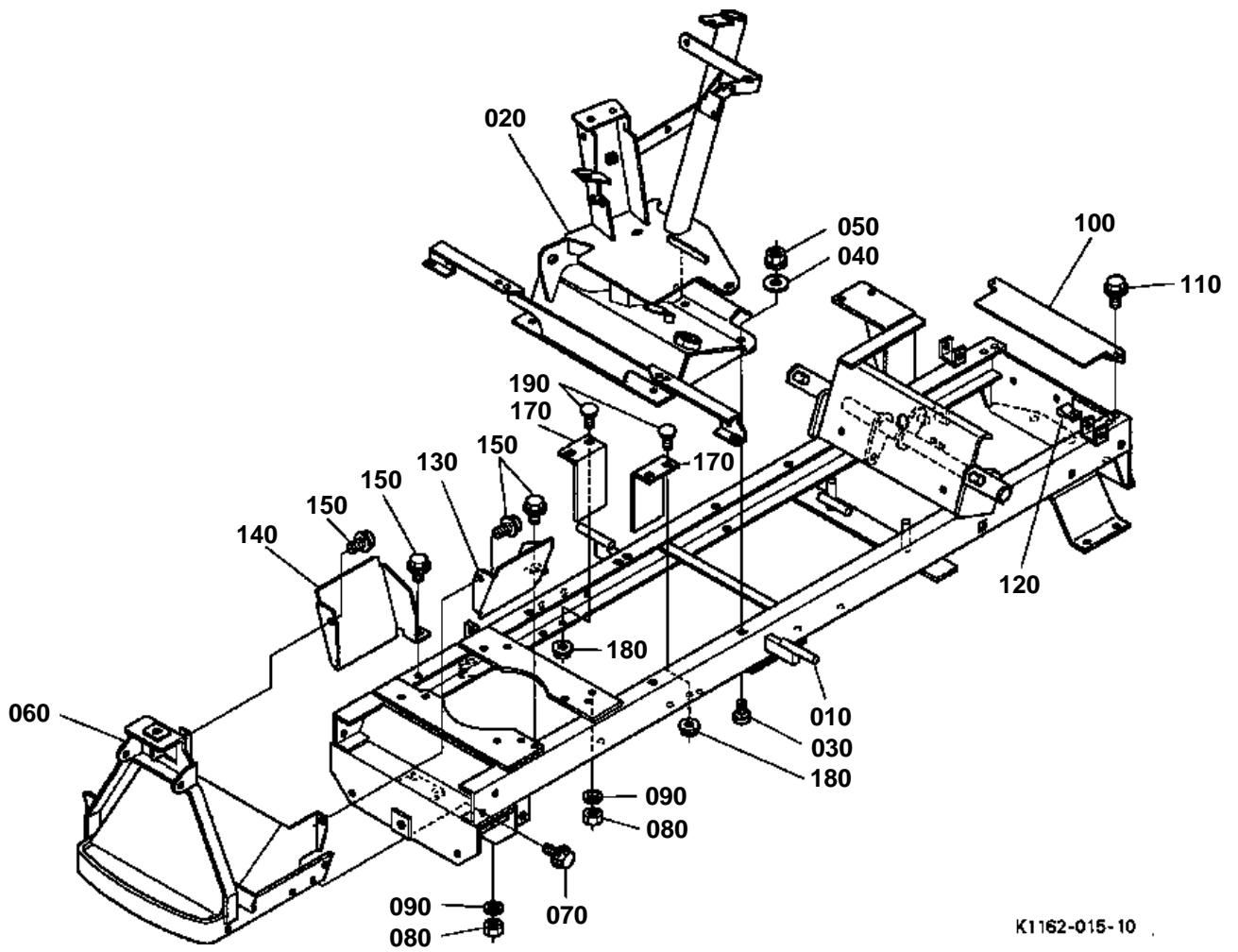


FRONT WHEEL

↔ Interchangeable; ≠ not interchangeable; ← new for old; → old for new

REF.No	Part No.	Description	Q'ty	S.No.	I/C	REMARKS	Weight (kgf)	Weight (lb)
010	K1142-15110	COMP FRONT AXLE	1				6.04	13.288
020	K1122-15120	COLLAR CENTER PIN	1				0.23	0.506
030	K1122-15130	BOLT CENTER PIN	1				0.1	0.22
040	75599-32015	WASHER PLAIN	1				0.01	0.022
050	K1122-91920	NUT LOCKING	1				0.016	0.0352
060	K1122-15210	TIE ROD	1				0.77	1.694
070	K1122-15220	ROD END	1				0.07	0.154
080	75599-31023	NUT	1				0.006	0.0132
090	75599-31923	NUT LOCKING	2				0.007	0.0154
100	K1122-15150	NIPPLE GREASE	2				0.002	0.0044
110	K1162-15710	ASSY TIRE FRONT	2				3.5	7.7
120	K1162-15720	TIRE	2				3.2	7.04
130	K1162-15730	WHEEL	2				1.3	2.86
140	K1162-15770	BEARING	4				0.1	0.22
150	K1162-15760	VALVE STEM	2				0.01	0.022
160	K1142-15740	WASHER FLAT	2				0.02	0.044
170	05511-50530	PIN SPLIT	2				0.006	0.0132
180	K1142-15780	CAP WHEEL FRONT	2				0.03	0.066

MAIN FRAME/STEERING SUPPORT

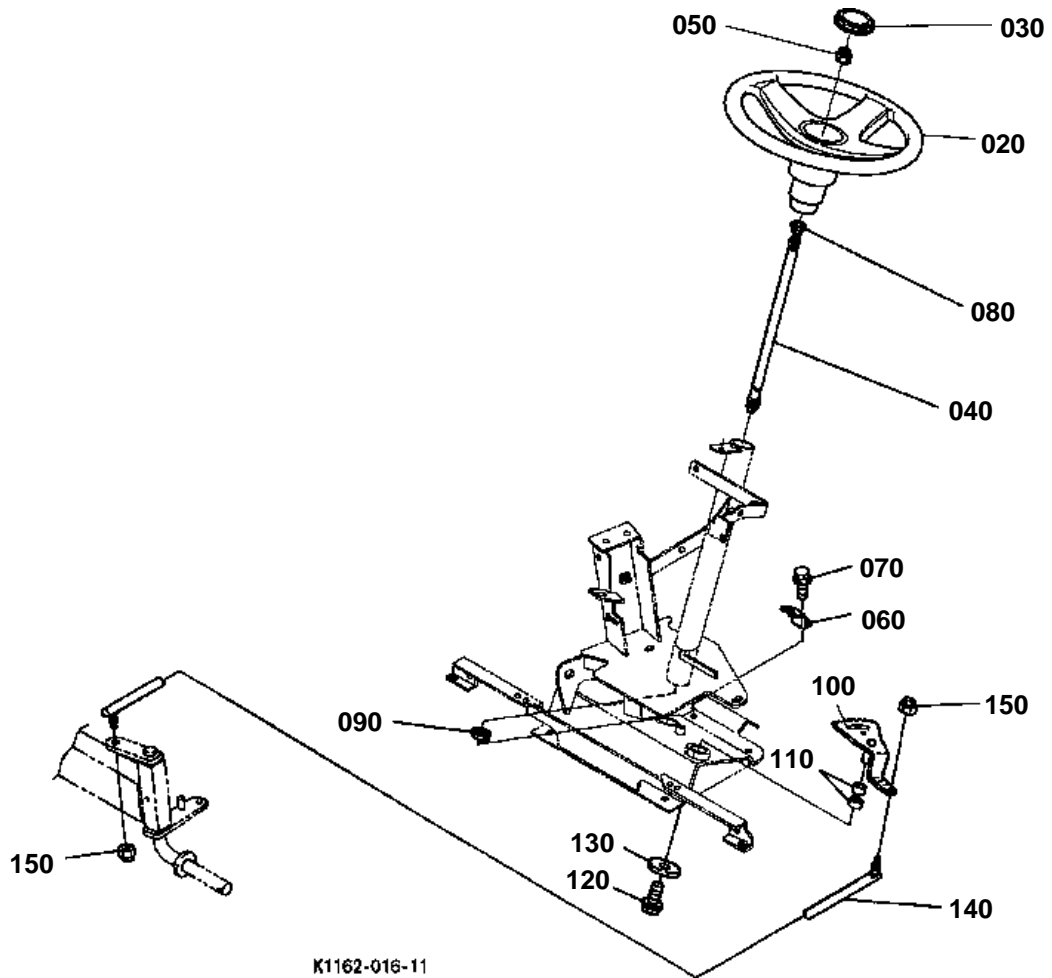


**MAIN FRAME/STEERING SUPPORT**

↔ Interchangeable; ≠ not interchangeable; ← new for old; → old for new

REF.No	Part No.	Description	Q'ty	S.No.	I/C	REMARKS	Weight (kgf)	Weight (lb)
010	K1172-21010	FRAME COMP	1	<=10003			0	0
010	K1172-21013	FRAME COMP	1	>=10004	←		69	151.8
010	K1172-21014	FRAME COMP	1	>=10557	≠		69	151.8
020	K1162-21110	SUPPORT STEERING	1	<=10003			0	0
020	K1162-21112	SUPPORT STEERING	1	>=10004	←		10	22
030	K1122-91420	BOLT SHORT SQU.NECK	4				0.02	0.044
040	K1122-21160	WASHER PLAIN	4				0.006	0.0132
050	K1122-91960	NUT FLANGE	4				0.012	0.0264
060	K1182-21510	BUMPER	1	<=10003			2.98	6.556
060	K1182-21513	BUMPER	1	>=10004	←		2.8	6.16
070	01754-50820	BOLT FLANGE	4				0.015	0.033
080	02054-50080	NUT	4				0.005	0.011
090	75599-33012	WASHER SPRING	4				0.002	0.0044
100	K1172-55510	COVER REAR	1				0.18	0.396
110	01754-50616	BOLT FLANGE	2				0.006	0.0132
120	K1122-91800	NUT(M)	2				0.004	0.0088
130	K1182-21620	PLATE LH	1	<=10003			0.1	0.22
130	K1182-21622	PLATE LH	1	>=10004	←		0.1	0.22
140	K1182-21610	PLATE RH	1				0.122	0.2684
150	01754-50616	BOLT FLANGE	4				0.006	0.0132
160	99999-99999	BLANK	0				0	0
170	K1182-21310	STOPPER UPPER LIMIT	2				0.21	0.462
180	02751-50080	NUT FLANGE	4				0.006	0.0132
190	K1122-91320	BOLT SHORT SQU.NECK	4				0.01	0.022

POWER STEERING/STEERING HANDLE



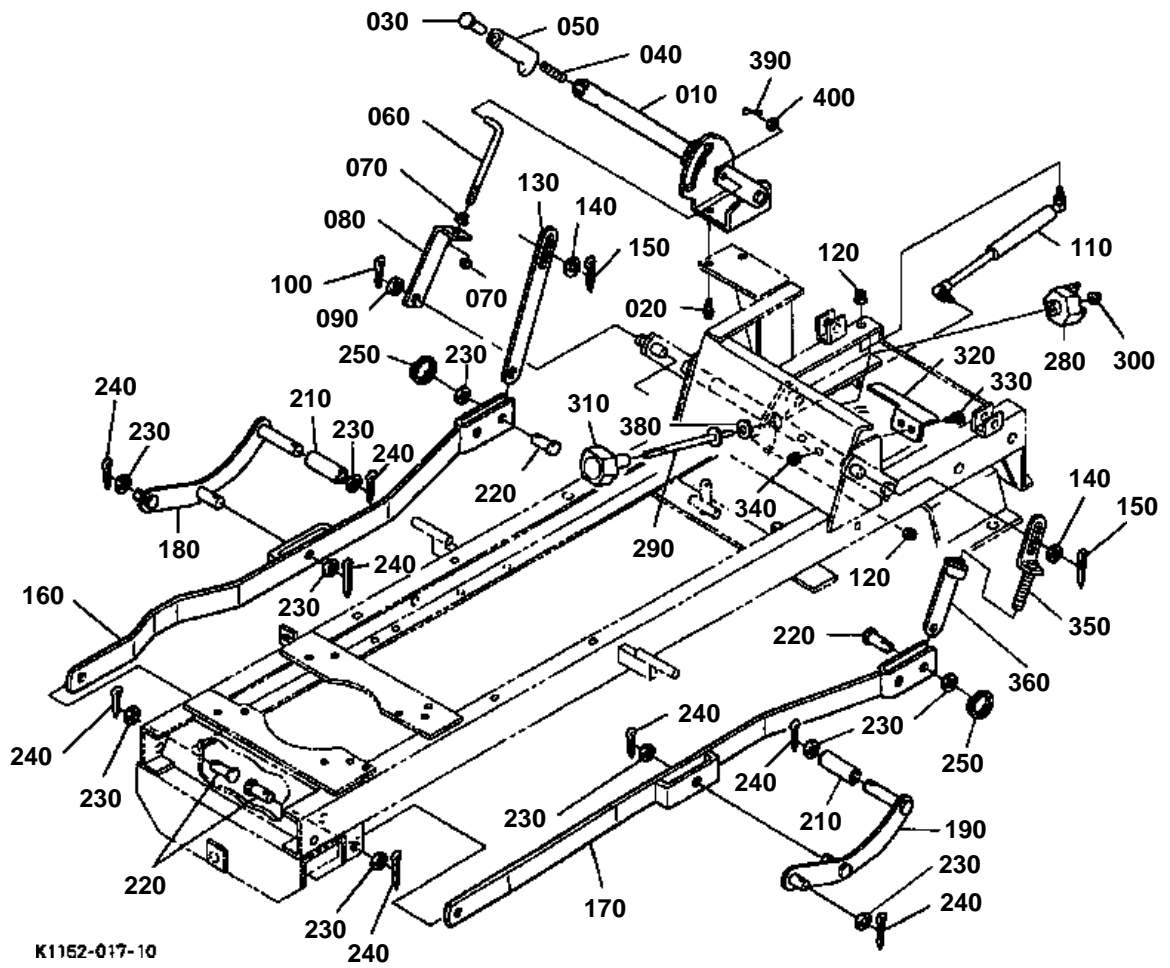
K1162-016-11

**POWER STEERING/STEERING HANDLE**

↔ Interchangeable; ≠ not interchangeable; ← new for old; → old for new

REF.No	Part No.	Description	Q'ty	S.No.	I/C	REMARKS	Weight (kgf)	Weight (lb)
010	99999-99999	BLANK	0				0	0
020	K1162-41120	WHEEL STEERING	1				0.93	2.046
030	K1162-41130	CAP STEERING	1				0.012	0.0264
040	K1122-41210	SHAFT STEERING	1				1.18	2.596
050	K1122-91940	NUT LOCKING	1				0.03	0.066
060	K1122-41220	RETAINER SHAFT	1				0.07	0.154
070	01754-50820	BOLT FLANGE	1				0.015	0.033
080	K1122-41230	BEARING STEERING	1				0.01	0.022
090	08141-06201	BEARING BALL	1				0.04	0.088
100	K1122-41250	GEAR SECTOR	1				1.88	4.136
110	K1122-41280	BUSH SECTOR	2				0.02	0.044
120	01754-51020	BOLT FLANGE	1				0.02	0.044
130	K1122-41260	WASHER PLAIN	1				0.02	0.044
140	K1122-41510	LINK DRAG LINK	1				0.95	2.09
150	75599-31924	NUT LOCKING	2				0.01	0.022

LIFT LINK

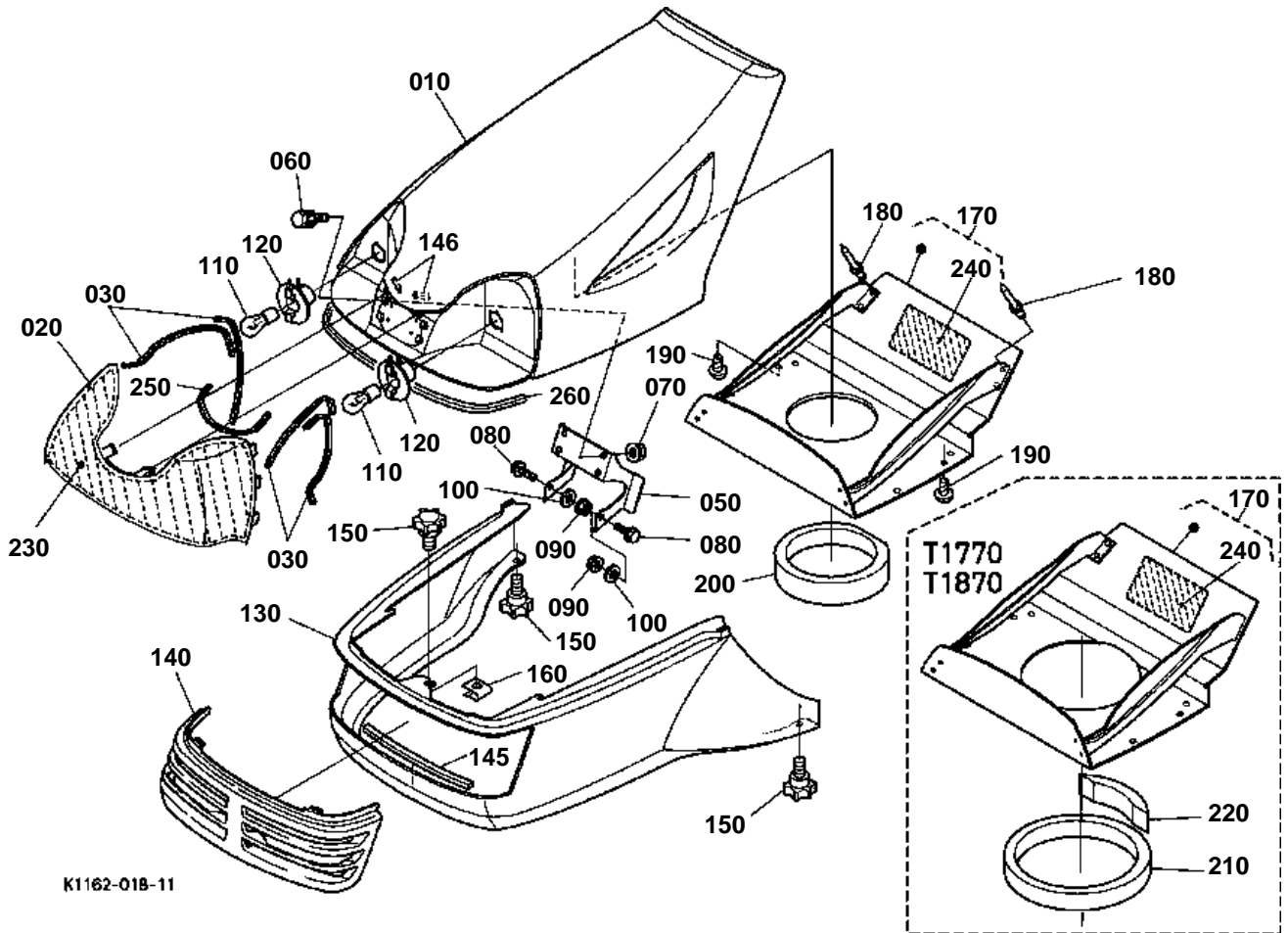


**LIFT LINK**

↔ Interchangeable; ≠ not interchangeable; ← new for old; → old for new

REF.No	Part No.	Description	Q'ty	S.No.	I/C	REMARKS	Weight (kgf)	Weight (lb)
010	K1162-44110	COMP.LEVER LIFT	1				1.415	3.113
020	01754-50820	BOLT FLANGE	2				0.015	0.033
030	K1211-44130	BUTTON	1				0.01	0.022
040	K1122-44140	SPRING BUTTON	1				0.007	0.0154
050	K1122-44150	GRIP	1				0.11	0.242
060	K1122-44170	LINK LIFT	1				0.09	0.198
070	K1122-91960	NUT FLANGE	2				0.012	0.0264
080	K1122-44180	LINK LIFT	1				0.37	0.814
090	75599-32015	WASHER PLAIN	1				0.01	0.022
100	05511-50430	PIN SPLIT	1				0.004	0.0088
110	K1182-44162	GAS SPRING	1				0.24	0.528
120	02751-50080	NUT FLANGE	2				0.006	0.0132
130	K1142-44220	LINK	1				0.45	0.99
140	75599-32015	WASHER PLAIN	2				0.01	0.022
150	05511-50430	PIN SPLIT	2				0.004	0.0088
160	K1122-44310	LINK RH	1				1.95	4.29
170	K1122-44320	LINK LH	1				1.92	4.224
180	K1122-44332	LINK RH	1				0.62	1.364
190	K1122-44342	LINK LH	1				0.63	1.386
200	99999-99999	BLANK	0				0	0
210	K1122-44360	COLLAR LINK	2				0.07	0.154
220	75599-51525	PIN CLEVIS	4				0.2	0.44
230	75599-32015	WASHER PLAIN	10				0.01	0.022
240	05511-50430	PIN SPLIT	8				0.004	0.0088
250	K5142-72730	RING SNAP	2				0.003	0.0066
260	99999-99999	BLANK	0				0	0
270	99999-99999	BLANK	0				0	0
280	K1122-44410	CAM	1				0.3	0.66
290	K1132-44420	ROD CAM	1				0.1	0.22
300	02751-50080	NUT FLANGE	1				0.006	0.0132
310	K1132-44430	DIAL CAM	1				0.04	0.088
320	K1122-44440	SPRING RETAINER	1				0.04	0.088
330	K1122-91320	BOLT SHORT SQU.NECK	2				0.01	0.022
340	02751-50080	NUT FLANGE	2				0.006	0.0132
350	K1142-44270	LINK LIFT UPPER	1				0.26	0.572
360	K1142-44280	LINK LIFT LOWER	1				4.308	9.4776
370	99999-99999	BLANK	0				0	0
380	K1132-44450	WASHER ROD	1				0.009	0.0198
390	05511-50430	PIN SPLIT	1				0.004	0.0088
400	75599-32013	WASHER PLAIN	1				0.03	0.066

HOOD (BONNET)

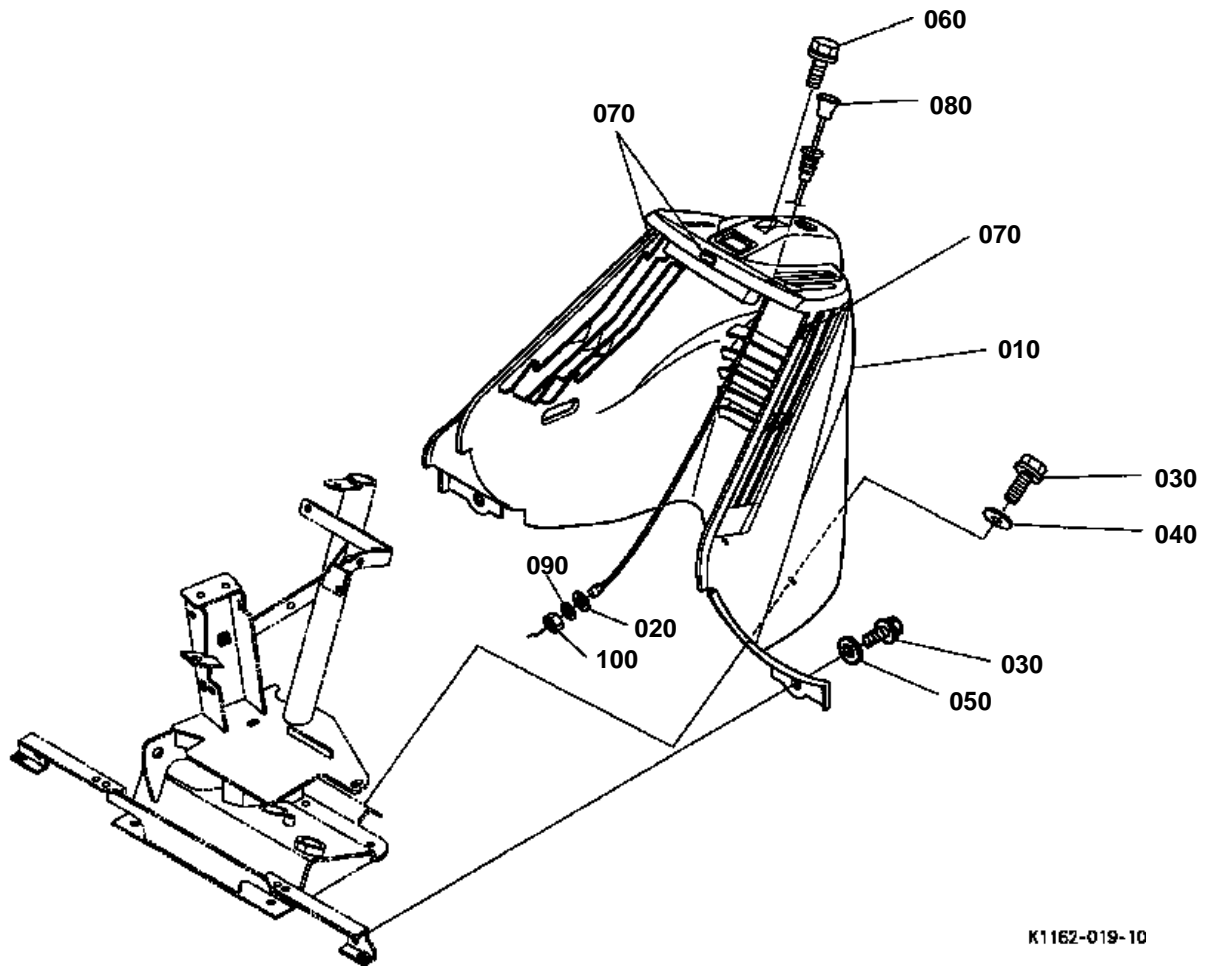


**HOOD (BONNET)**

↔ Interchangeable; ≠ not interchangeable; ← new for old; → old for new

REF.No	Part No.	Description	Q'ty	S.No.	I/C	REMARKS	Weight (kgf)	Weight (lb)
010	K1162-54112	BONNET UPPER	1				7.3	16.06
020	K1162-54122	LENS	1				0.38	0.836
030	K1162-54252	SEAL LENS	4				0.001	0.0022
040	99999-99999	BLANK	0				0	0
050	K1162-54310	BRACKET BONNET	1				0.425	0.935
060	01053-50820	BOLT	4				0.012	0.0264
070	02751-50080	NUT FLANGE	4				0.006	0.0132
080	01754-50820	BOLT FLANGE	2				0.015	0.033
090	K5112-72840	NUT LOCK	2				0.005	0.011
100	K5112-72830	WASHER PLAIN	2				0.005	0.011
110	K1122-54210	BULB	2				0.008	0.0176
120	K1122-54220	SOCKET	2				0.006	0.0132
130	K1162-54130	BONNET UNDER	1				6	13.2
140	K1162-54142	GRIL LH	1				0.31	0.682
145	K1162-54160	SPACER BONNET	1				0.001	0.0022
146	K1162-54170	SPACER BONNET	2			>=2002.07	0.001	0.0022
150	K1122-91000	BOLT KNOB	3				0.012	0.0264
160	K1122-91800	NUT(M)	1				0.004	0.0088
170	K1182-95320	KIT INTAKE COVER	1			WITHOUT EC	2	4.4
180	K1162-91930	RIVET	8				0.005	0.011
190	K1162-25340	SCREW TAPPING	6				0.004	0.0088
210	K1182-25320	SPONGE	1				0.012	0.0264
220	K1182-25330	SPONGE	1				0.01	0.022
230	K1162-65410	REFLECTOR HEAD LAMP	1				0.251	0.5522
240	99999-99999	BLANK	0				0	0
250	K1162-54270	SEAL LENS	1				0.001	0.0022
260	K1162-54280	SEAL LENS	1	<=10003			0.001	0.0022
260	K1162-54280	SEAL LENS	3	>=10004			0.001	0.0022

PANEL COVER

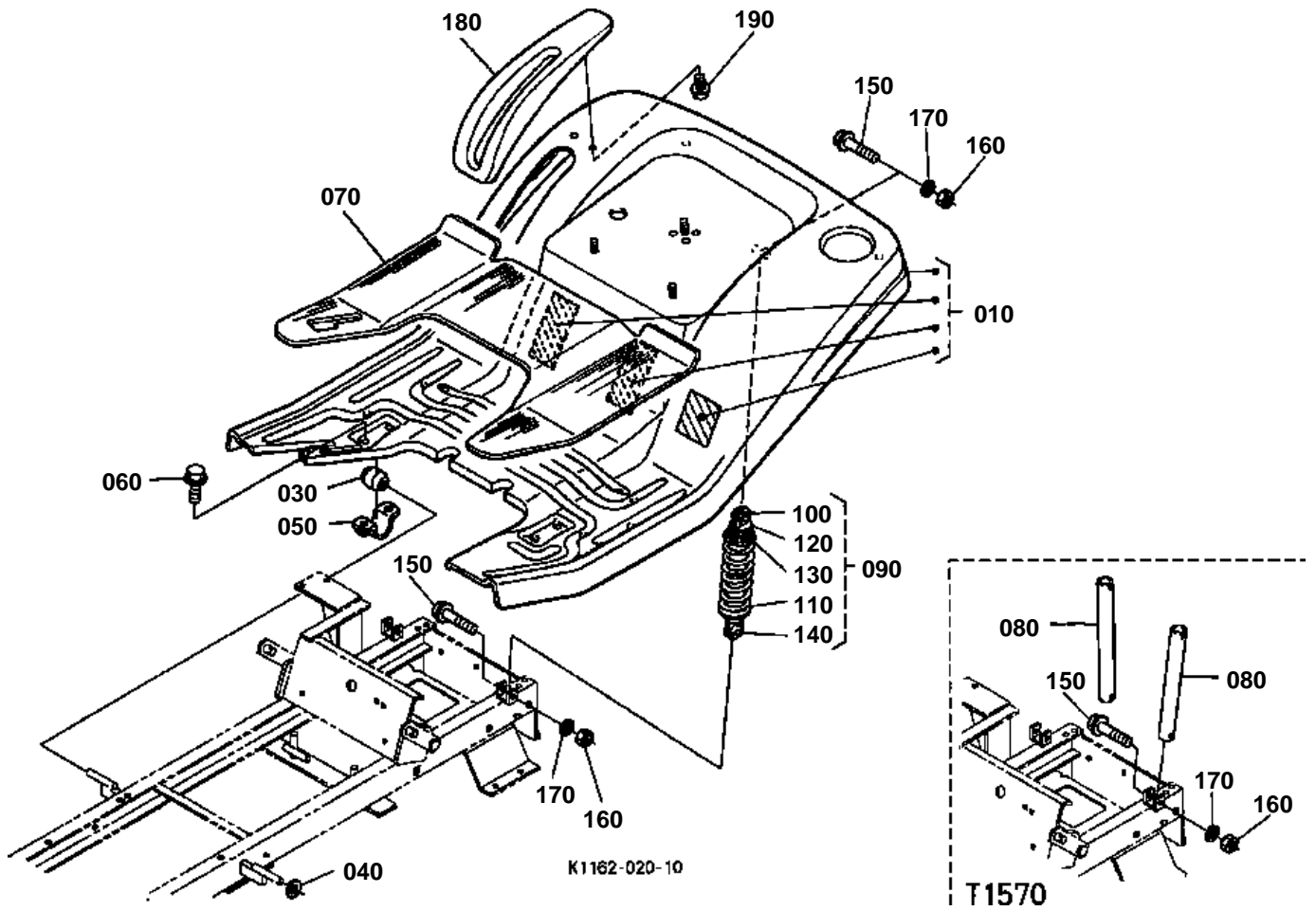




PANEL COVER

↔ Interchangeable; ≠ not interchangeable; ← new for old; → old for new

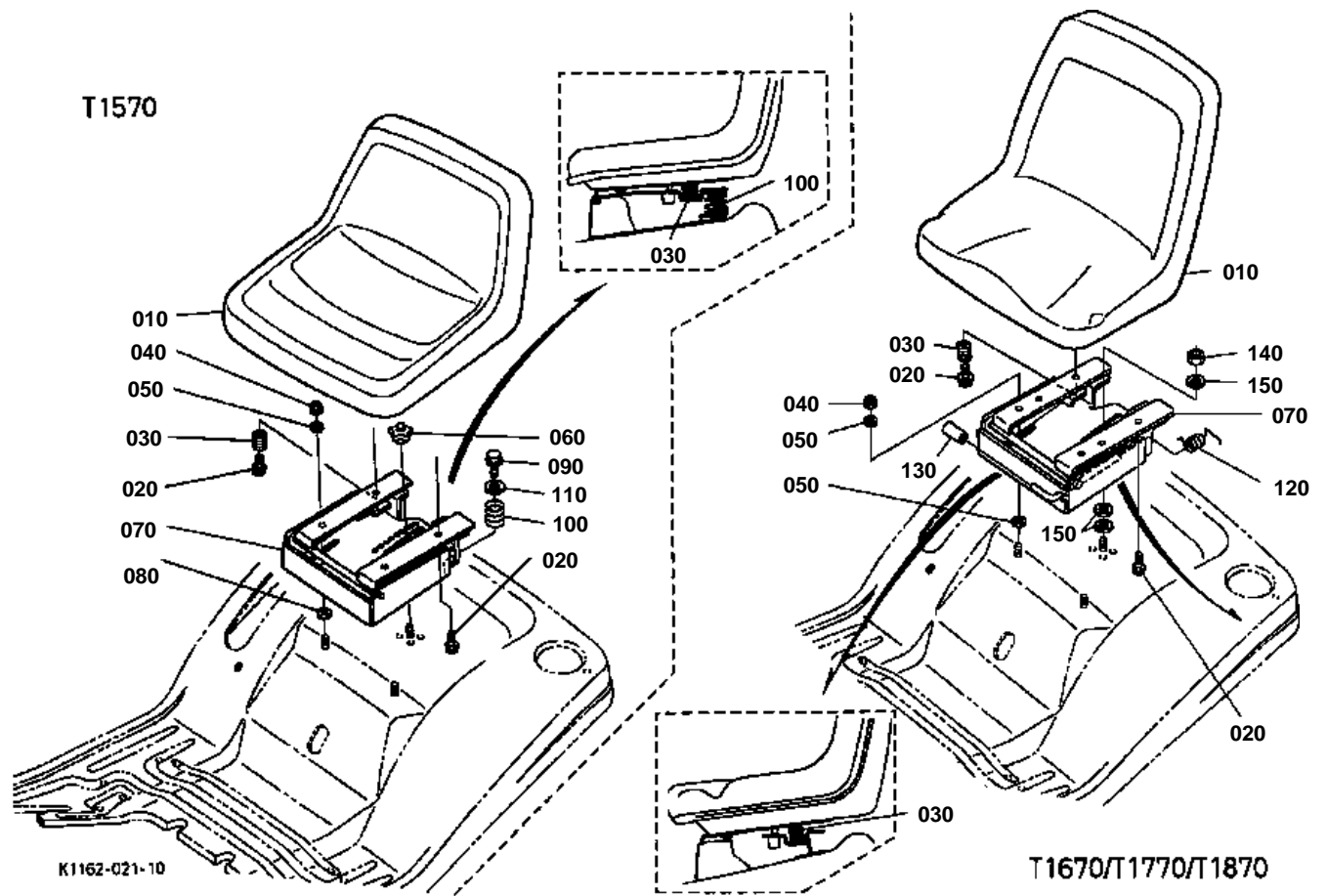
REF.No	Part No.	Description	Q'ty	S.No.	I/C	REMARKS	Weight (kgf)	Weight (lb)
010	K1162-57110	PANEL	1				5	11
020	75599-32013	WASHER PLAIN	1				0.03	0.066
030	01754-50820	BOLT FLANGE	4				0.015	0.033
040	K1122-57170	WASHER PANEL	2				0.001	0.0022
050	K5112-72830	WASHER PLAIN	2				0.005	0.011
060	K1122-91050	BOLT FLANGE BLACK	1				0.013	0.0286
070	K1122-57160	PLATE RUBBER	3	<=11337			0.001	0.0022
070	K1122-57163	PLATE RUBBER	3	>=11338	←		0.001	0.0022
080	K1182-55562	WIRE ASSY CHOKE	1				0.12	0.264
090	04512-60100	WASHER SPRING	1				0.002	0.0044
100	02018-50100	NUT	1				0.011	0.0242



**FENDER**

↔ Interchangeable; ≠ not interchangeable; ← new for old; → old for new

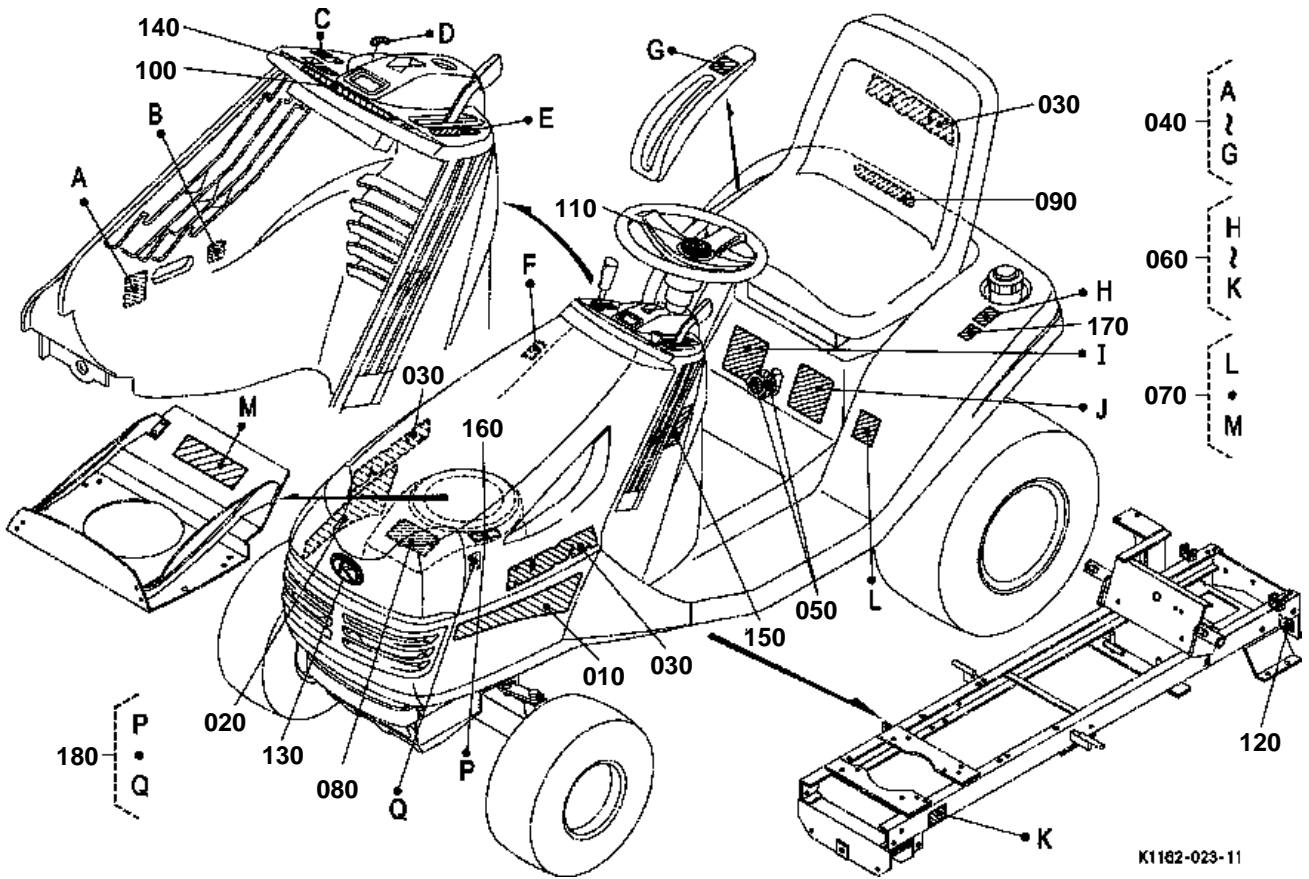
REF.No	Part No.	Description	Q'ty	S.No.	I/C	REMARKS	Weight (kgf)	Weight (lb)
010	K1132-95020	KIT FENDER	1			WITHOUT EC	18.2	40.04
020	99999-99999	BLANK	0				0	0
030	K1162-55120	BUSHING	2				0.04	0.088
040	75599-32015	WASHER PLAIN	1				0.01	0.022
050	K1211-55130	SUPPORT STEP	2				0.06	0.132
060	01754-50820	BOLT FLANGE	4				0.015	0.033
070	K1122-55210	SHEET STEP	1				0.92	2.024
090	K1122-55400	ASSY SUSPENSION	2				1.06	2.332
100	K1122-55410	SUSPENSION	2				0.62	1.364
110	K1122-55420	SPRING SUSPENSION	2				0.39	0.858
120	K1122-55430	RETAINER UPPER	2				0.014	0.0308
130	K1122-55450	COVER SUSPENSION	2				0.019	0.0418
140	K1122-55440	RETAINER LOWER	2				0.035	0.077
150	01053-51045	BOLT	4				0.04	0.088
160	02014-50100	NUT	4				0.011	0.0242
170	04512-60100	WASHER SPRING	4				0.002	0.0044
180	K1122-55220	COVER LEVER	1				0.14	0.308
190	K1122-55280	SCREW TAPPING	3				0.002	0.0044



**SEAT**

↔ Interchangeable; ≠ not interchangeable; ← new for old; → old for new

REF.No	Part No.	Description	Q'ty	S.No.	I/C	REMARKS	Weight (kgf)	Weight (lb)
010	K1122-56110	SEAT	1				6.7	14.74
020	0Y171-50508	BOLT FLANGE	4				0.015	0.033
030	K1122-56140	SPRING SEAT SW.	1				0.02	0.044
040	K5112-72840	NUT LOCK	2				0.005	0.011
050	75599-32112	WASHER PLAIN	4				0.001	0.0022
070	K1211-56120	SUPPORT SEAT	1				3.545	7.799
120	K1211-56150	SPRING LOCK	1				0.012	0.0264
130	K1211-56140	COVER LEVER	1				0.008	0.0176
140	75599-31923	NUT LOCKING	1				0.007	0.0154
150	75599-32113	WASHER PLAIN	3				0.01	0.022

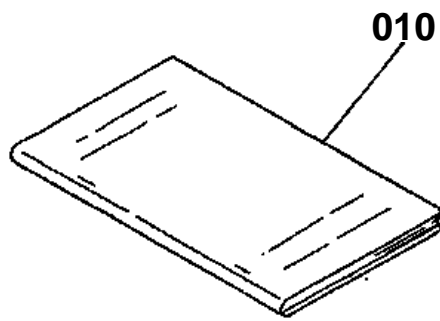




LABEL

↔ Interchangeable; ≠ not interchangeable; ← new for old; → old for new

REF.No	Part No.	Description	Q'ty	S.No.	I/C	REMARKS	Weight (kgf)	Weight (lb)
010	K1182-65130	LABEL BONNET LH	1				0.02	0.044
020	K1182-65120	LABEL BONNET RH	1				0.02	0.044
030	K1162-65250	LABEL KUBOTA	3				0.017	0.0374
040	K1162-65160	LABEL SET CONTROL	1				0.02	0.044
050	K1132-65260	LABEL DIAL	1				0.001	0.0022
060	K1122-65170	LABEL SET CAUTION	1			WITHOUT EC	0.045	0.099
070	K1162-65190	LABEL SET CAUTION	1			WITHOUT EC	0.025	0.055
080	K1182-65180	LABEL ENGINE	1	≤10556			0	0
080	K1182-65182	LABEL ENGINE	1	≥10557	←		0.01	0.022
090	K1132-65290	LABEL CUSHION	1				0.001	0.0022
100	K1122-65210	LABEL INDICATOR	1				0.007	0.0154
110	K1122-65220	MARK STEERING	1				0.01	0.022
120	K1122-65310	LABEL HST BYPASS	1			WITHOUT EC	0.001	0.0022
130	T1060-49500	MARK SYMBOL	1				0.01	0.022
140	K2110-65462	LABEL NMR	1			WITHOUT EC	0.001	0.0022
150	K2110-65192	LABEL KRS	1			WITHOUT EC	0.001	0.0022
170	K1104-65420	LABEL NOISE MARK	1			AU	0.001	0.0022



1G606-002-10

**ACCESSORIES AND SERVICE PARTS**

↔ Interchangeable; ≠ not interchangeable; ← new for old; → old for new

REF.No	Part No.	Description	Q'ty	S.No.	I/C	REMARKS	Weight (kgf)	Weight (lb)
010	K1162-71210	MANUAL INSTRUCTION	1	<=10556		A CA	0.17	0.374
010	K1162-71212	MANUAL INSTRUCTION	1	>=10557	←	A CA	0.17	0.374
010	K1174-71210	MANUAL INSTRUCTION	1			AU <=2002.06	0	0
010	K1162-71212	MANUAL INSTRUCTION	1		≠	AU >=2002.07	0.17	0.374