

# Instructions for Parts Books

The heading at the top of the page will be the same for the picture of the parts at it is for the page with the part numbers.

Definition of column headings on part number pages:

**REF.No** → The number referring to the part on the picture page of the parts book.

**Part No.** → The number assigned to this part at the time of printing the parts book.

**Description** → Discription of part.

**Q'ty** → Quantity of part used on that page.

**S.No.** → Serial number range of the equipment that this part will fit.

>= Your serial number should be greater than or equal to the number shown.

<= Your serial number should be lesser than or equal to the serial number shown.

**I/C** → Interchangeability of part shown.

↔ The part shown will work for the older and later serial number.

# The part shown is not interchangeable with the other serial number.

← new for old

→ old for new

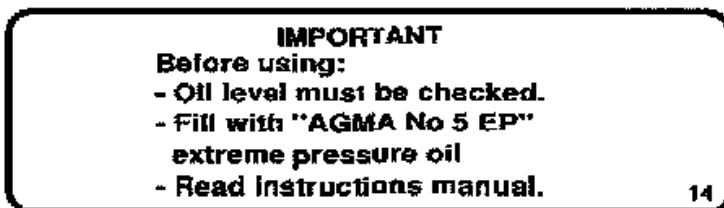
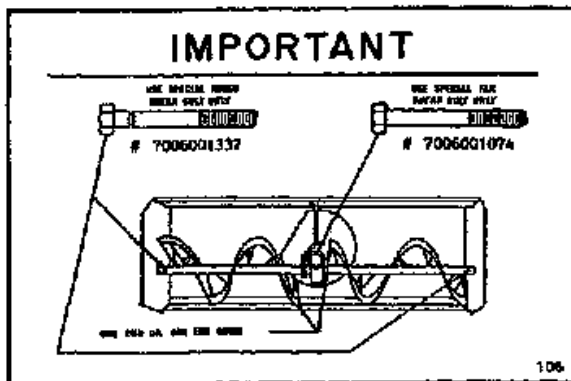
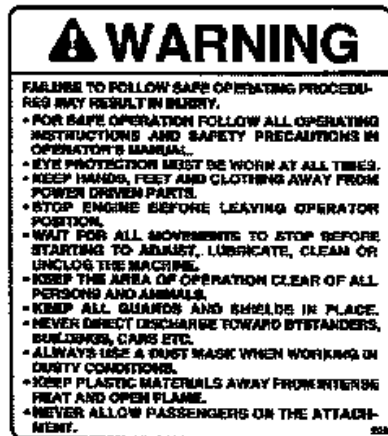
**Remarks** → Notes about this particulart part. Sometimes this may say except [FR] or [CA]

## Note about Country Codes:

The parts books we use in the United States of America may also contain information about a part that would be different in another country. It is important that you are aware of the country codes in some instances.

Symbol	Country
A	United States of America
CA	Canada
FR	France
GR	Greece
PO	Portugal
AU	Australia

If the remarks column says for example EXCEPT [FR] this part works in all countries except France. That means it will work here in the USA.



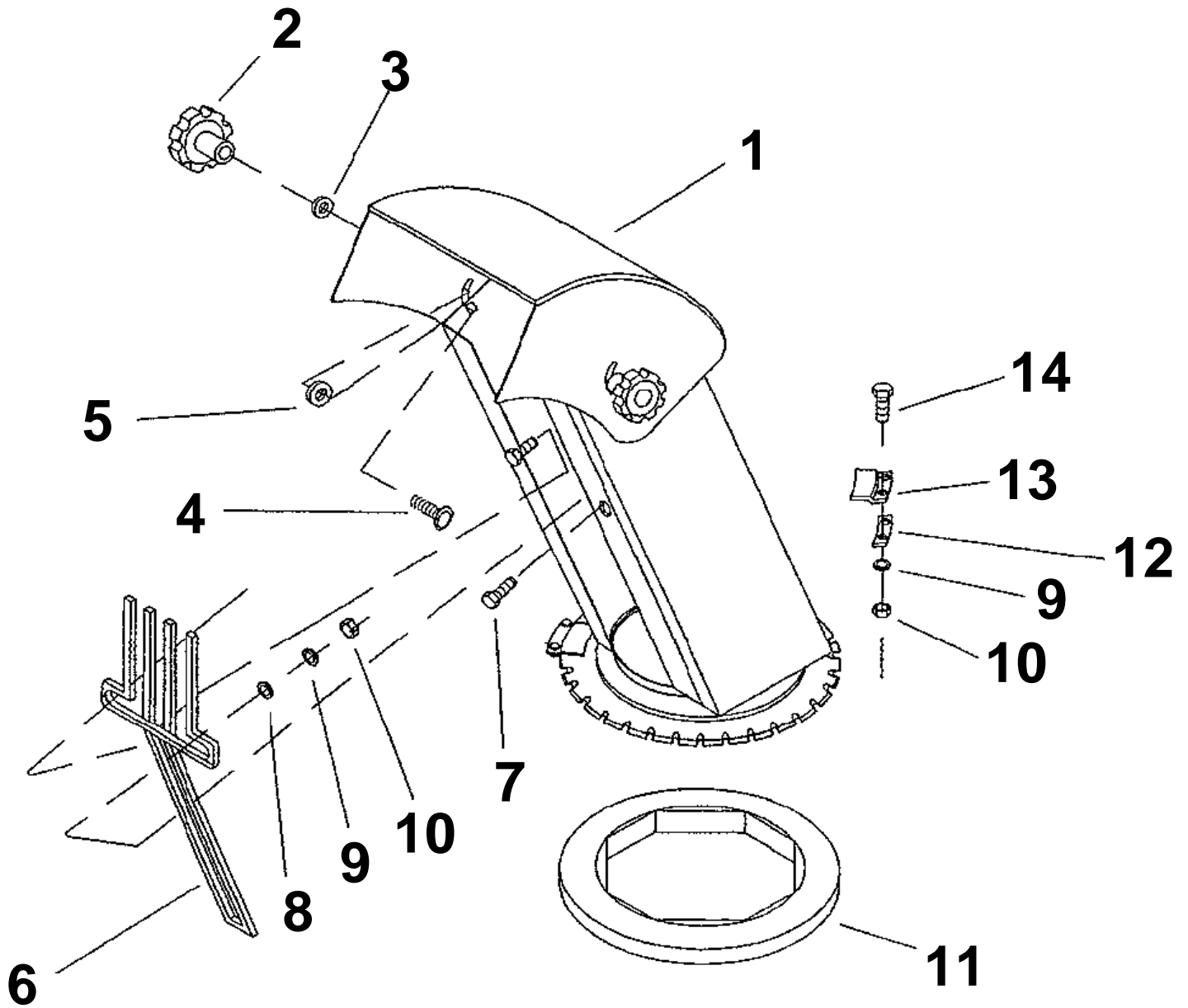


**SAFETY DECALS**

↔ Interchangeable; ≠ not interchangeable; ← new for old; → old for new

REF.No	Part No.	Description	Q'ty	S.No.	I/C	REMARKS	Weight (kgf)	Weight (lb)
1	70060-01211	DANGER LABEL	1				0	0
2	70060-03763	WARNING LABEL	1				0	0
3	70060-01213	DANGER LABEL	1				0	0
4	70060-01341	IMPORTANT LABEL	1				0	0
5	70060-01040	IMPORTANT LABEL	1				0	0
6	70060-01212	DANGER LABEL	1				0	0

CHUTE WITH DEFLECTOR



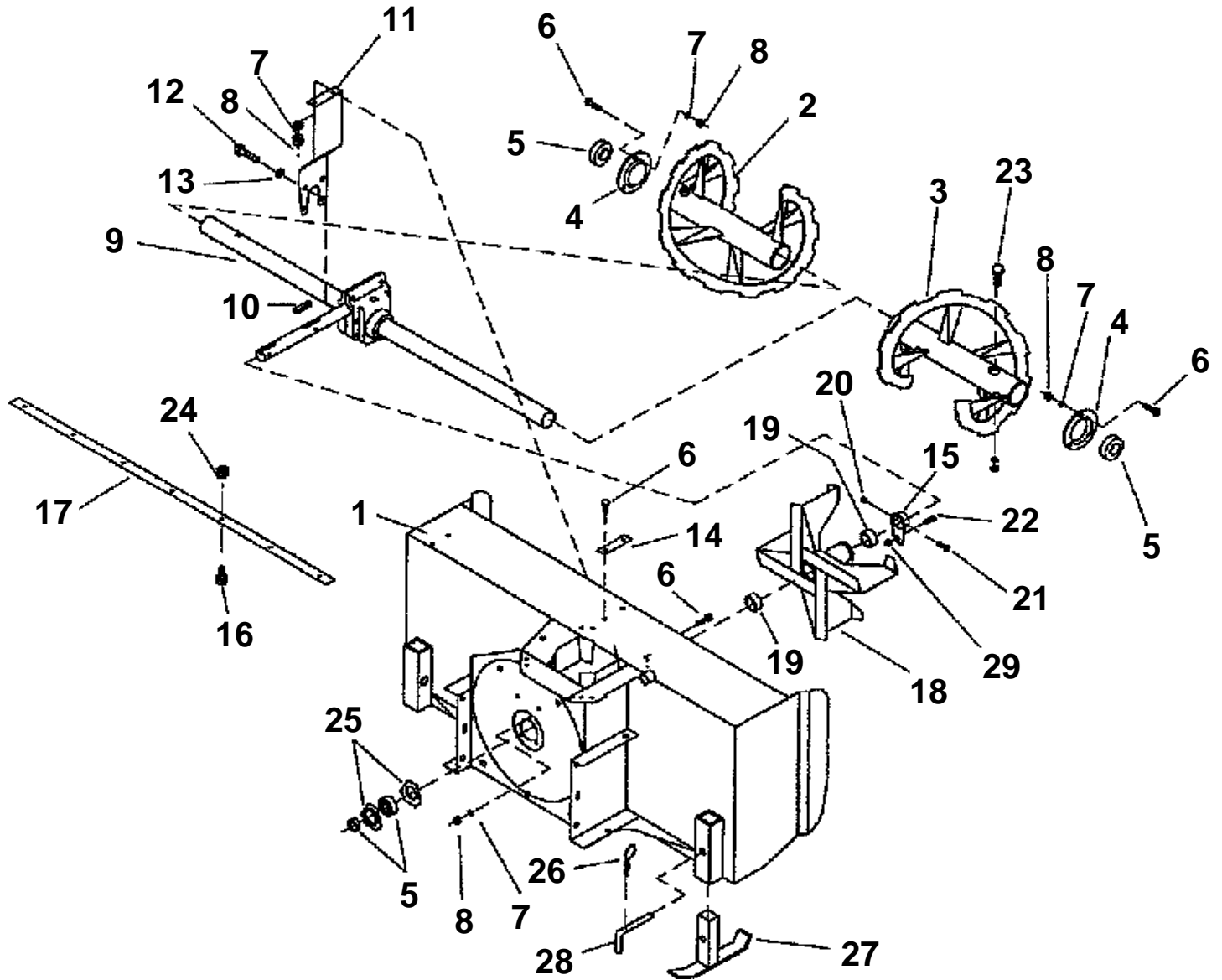


# CHUTE WITH DEFLECTOR

↔ Interchangeable; ≠ not interchangeable; ← new for old; → old for new

REF.No	Part No.	Description	Q'ty	S.No.	I/C	REMARKS	Weight (kgf)	Weight (lb)
1	70060-04208	CHUTE ASSEMBLY	1				0	0
2	70060-01419	KNOB	2				0	0
3	70060-03052	FLATWASHER NYLON LA	2				0	0
4	70000-74028	OBTAIN LOCALLY	2				0	0
5	70060-03056	FLATWASHER NYLON SM	2				0	0
6	70060-01358	HAND GUARD	1				0	0
7	70000-74028	OBTAIN LOCALLY	2				0	0
8	70000-74028	OBTAIN LOCALLY	2				0	0
9	70000-74028	OBTAIN LOCALLY	10				0	0
10	70000-74028	OBTAIN LOCALLY	10				0	0
11	70060-03226	NYLON RING	1				0	0
12	70060-03900	SHIM	4				0	0
13	70060-03227	RETAINING PLATE	4				0	0
14	70000-74028	OBTAIN LOCALLY	8				0	0

# SNOWBLOWER HEAD



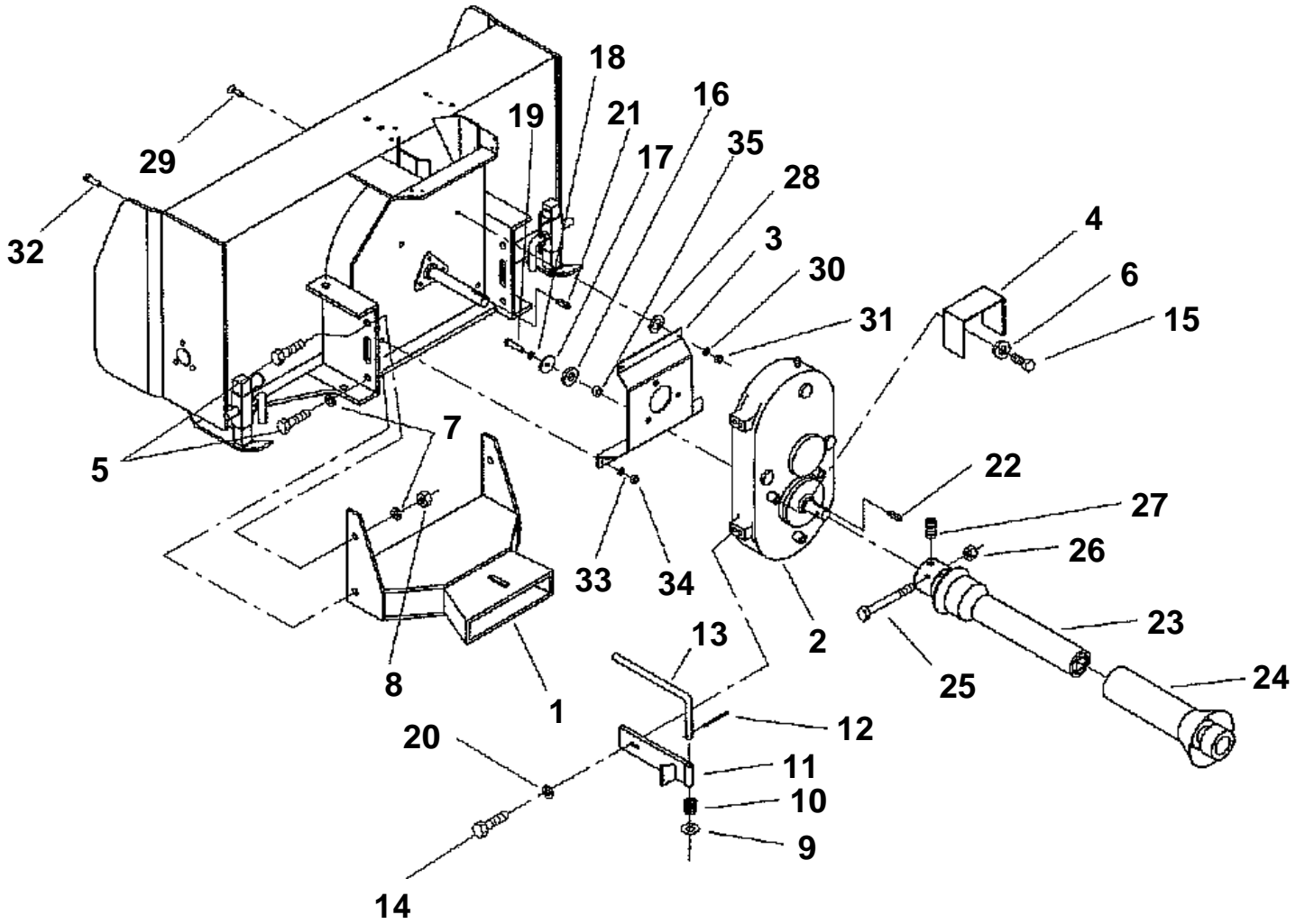


# SNOWBLOWER HEAD

↔ Interchangeable; ≠ not interchangeable; ← new for old; → old for new

REF.No	Part No.	Description	Q'ty	S.No.	I/C	REMARKS	Weight (kgf)	Weight (lb)
1	70060-04255	HOUSING	1				0	0
2	70060-04234	AUGER LH	1				0	0
3	70060-04235	AUGER RH	1				0	0
4	70060-00816	BEARING FLANGE	2				0	0
5	70060-00818	BEARING W/LOCKING CO	3				0	0
6	70000-74028	OBTAIN LOCALLY	8				0	0
7	70000-74028	OBTAIN LOCALLY	6				0	0
8	70000-74028	OBTAIN LOCALLY	6				0	0
9	70060-04290	GEARBOX	1				0	0
10	70060-00814	KEY	1				0	0
11	70060-03403	GEARBOX SUPPORT	1				0	0
12	70000-74028	OBTAIN LOCALLY	4				0	0
13	70000-74028	OBTAIN LOCALLY	4				0	0
14	70060-00812	REINFORCEMENT PLATE	1				0	0
15	70060-03402	SHEAR PLATE	1				0	0
16	70000-74028	OBTAIN LOCALLY	6				0	0
17	70060-04236	CUTTING EDGE	1				0	0
18	70060-03401	FAN	1				0	0
19	70060-01332	BUSHING	2				0	0
20	70000-74028	OBTAIN LOCALLY	1				0	0
21	70000-74028	OBTAIN LOCALLY	1				0	0
22	70000-74028	OBTAIN LOCALLY	1				0	0
23	70060-01337	SHEAR BOLT W/NUT & W	2				0	0
24	70000-74028	OBTAIN LOCALLY	6				0	0
25	70060-01657	FLANGE	2				0	0
26	70000-74028	OBTAIN LOCALLY	2				0	0
27	70060-04256	SKID SHOE	2				0	0
28	70060-04257	SKID SHOE PIN	2				0	0
29	70000-74028	OBTAIN LOCALLY	1				0	0

FEMALE HITCH & REDUCTION BOX

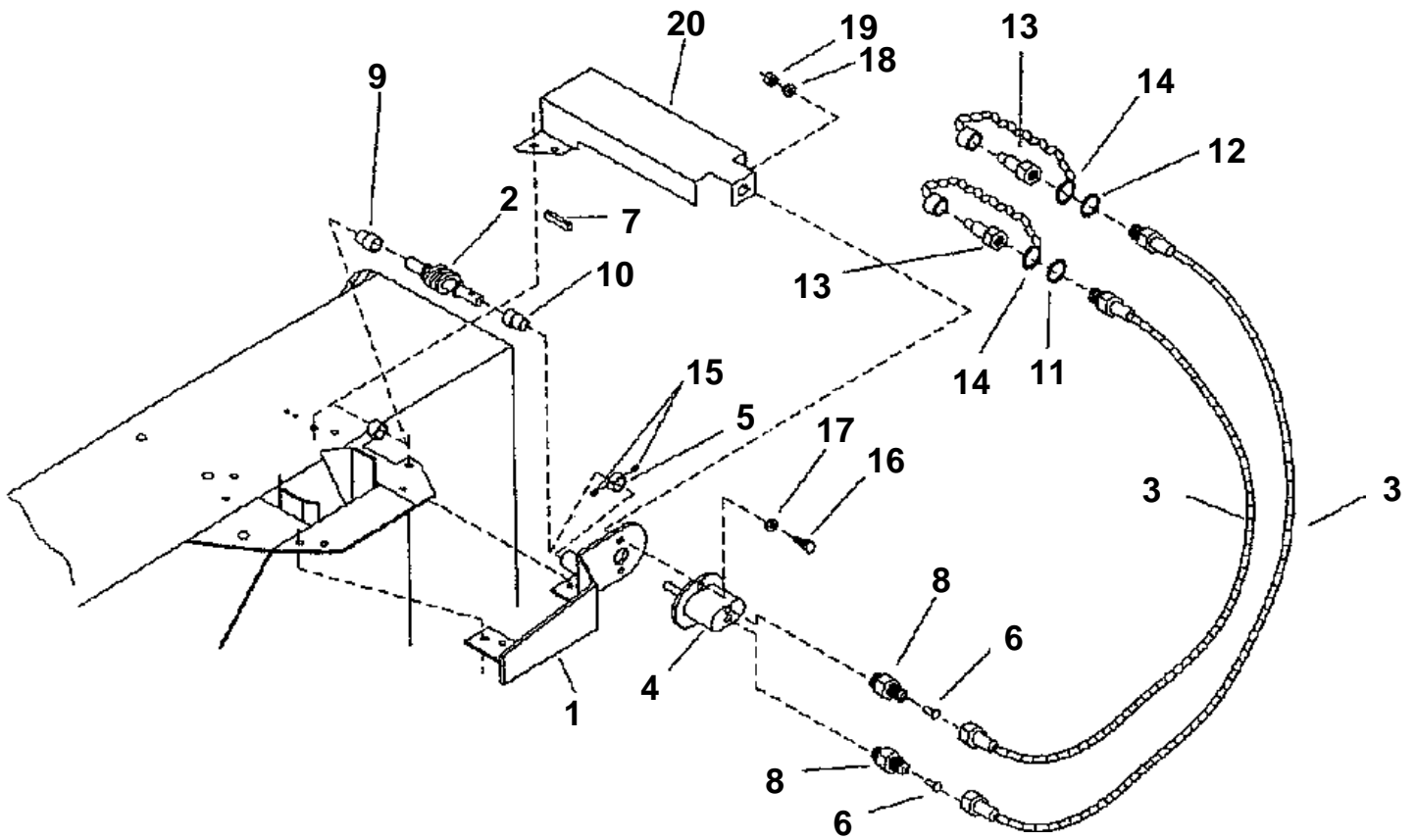




**FEMALE HITCH & REDUCTION BOX**

↔ Interchangeable; ≠ not interchangeable; ← new for old; → old for new

REF.No	Part No.	Description	Q'ty	S.No.	I/C	REMARKS	Weight (kgf)	Weight (lb)
1	70060-04214	FEMALE HITCH	1				0	0
2	70060-03294	REDUCTION BOX	1				0	0
3	70060-04317	REDUCTION BOX SUPPOR	1				0	0
4	70060-04216	DRIVELINE GUARD	1				0	0
5	70000-74028	OBTAIN LOCALLY	4				0	0
6	70000-74028	OBTAIN LOCALLY	2				0	0
7	70000-74028	OBTAIN LOCALLY	4				0	0
8	70000-74028	OBTAIN LOCALLY	2				0	0
9	70000-74028	OBTAIN LOCALLY	1				0	0
10	70060-04228	SPRING	1				0	0
11	70060-04218	SUPPORT BRACKET	1				0	0
12	70000-74028	OBTAIN LOCALLY	1				0	0
13	70060-04217	DRIVELINE SUPPORT	1				0	0
14	01153-51225	HEX BOLT	2				0.032	0.0704
15	70000-74028	OBTAIN LOCALLY	2				0	0
16	70060-04320	RUBBER WASHER	3				0	0
17	70060-04319	FLATWASHER	3				0	0
18	70000-74028	OBTAIN LOCALLY	3				0	0
19	01153-51030	HEX BOLT	3				0.023	0.0506
20	70000-74028	OBTAIN LOCALLY	2				0	0
21	70060-03837	KEY 1/4 SQUARE X 2-1	1				0	0
22	70060-00814	KEY 1/4 SQUARE X 1-1	1				0	0
23	70060-03858	FEMALE HALF SHAFT	1				0	0
24	70060-01477	MALE HALF SHAFT	1				0	0
25	70000-74028	OBTAIN LOCALLY	1				0	0
26	70000-74028	OBTAIN LOCALLY	1				0	0
27	70000-74028	OBTAIN LOCALLY	1				0	0
28	70060-04321	FLATWASHER	2				0	0
29	70000-74028	OBTAIN LOCALLY	2				0	0
30	70000-74028	OBTAIN LOCALLY	2				0	0
31	70000-74028	OBTAIN LOCALLY	2				0	0
32	70000-74028	OBTAIN LOCALLY	2				0	0
33	70000-74028	OBTAIN LOCALLY	2				0	0
34	70000-74028	OBTAIN LOCALLY	2				0	0
35	70060-04318	LONG SLEEVE	3				0	0



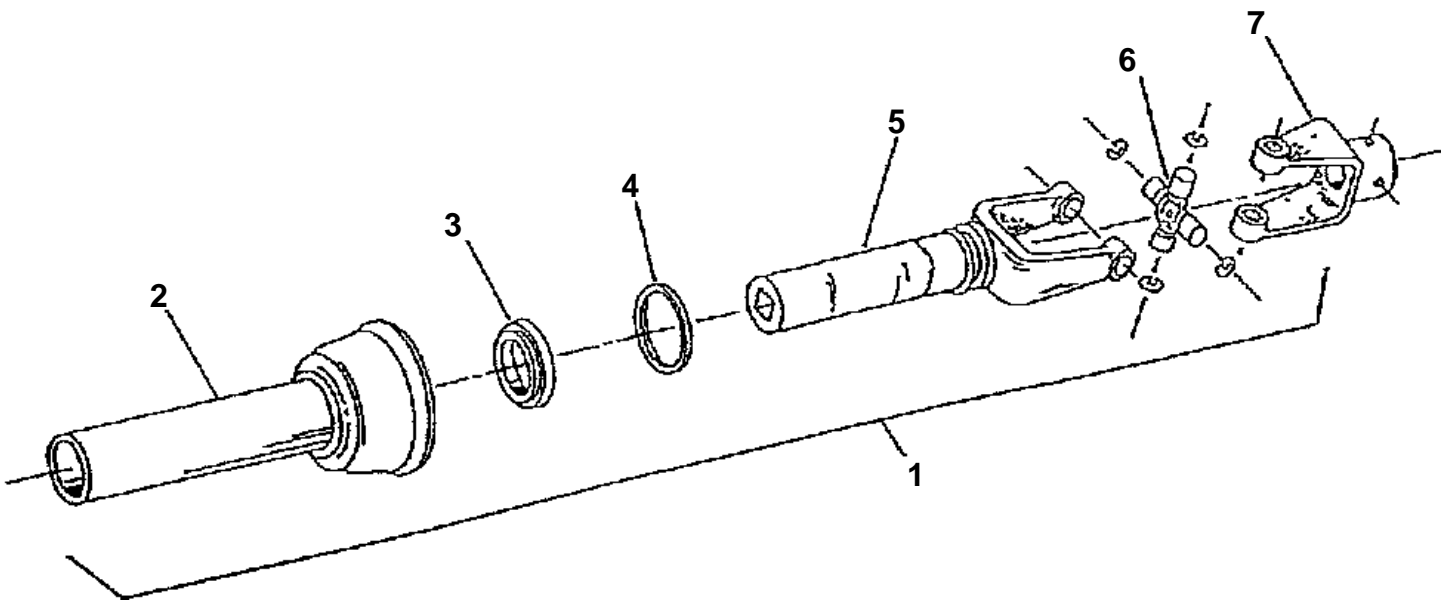


# HYDRAULIC ROTATION

↔ Interchangeable; ≠ not interchangeable; ← new for old; → old for new

REF.No	Part No.	Description	Q'ty	S.No.	I/C	REMARKS	Weight (kgf)	Weight (lb)
1	70060-03439	ROTATION BRACKET	1				0	0
1	70060-03858	DRIVELINE HALF FEMAL	1				0	0
2	70060-04220	ROTATION WORM	1				0	0
3	70060-03441	HYDRAULIC HOSE	2				0	0
4	70060-03442	HYDRAULIC MOTOR	1				0	0
4A	70060-03751	SEAL KIT FOR HYD MOT	1				0	0
5	70030-03443	LOCKING COLLAR	1				0	0
6	70060-01072	FLOW RESTRICTOR	2				0	0
7	70060-03445	KEY	1				0	0
8	70060-03446	CONNECTOR	2				0	0
9	70060-01350	PLASTIC BUSHING (SHO	1				0	0
10	70060-01351	PLASTIC BUSHING (LON	1				0	0
11	70060-01569	PLASTIC RING - YELLO	1				0	0
12	70060-01570	PLASTIC RING - GREEN	1				0	0
13	70060-01568	QUICK COUPLER MALE	2				0	0
14	70060-01566	DUST CAP	2				0	0
15	70000-74028	OBTAIN LOCALLY	2				0	0
16	70000-74028	OBTAIN LOCALLY	2				0	0
17	70000-74028	OBTAIN LOCALLY	2				0	0
18	70000-74028	OBTAIN LOCALLY	2				0	0
19	70000-74028	OBTAIN LOCALLY	2				0	0
20	70060-04222	ROTATION WORM GUARD	1				0	0

DRIVELINE FEMALE

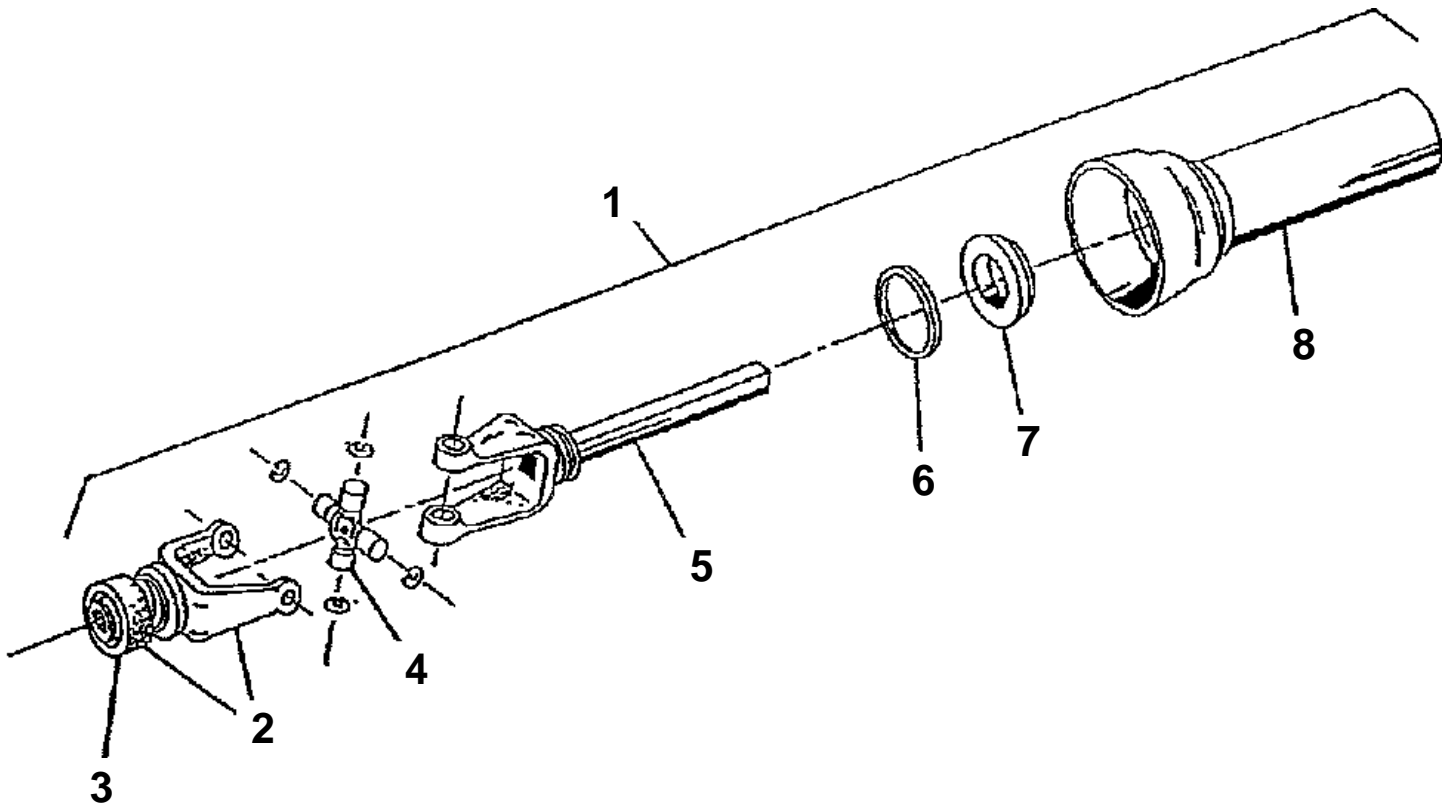




**DRIVELINE FEMALE**

↔ Interchangeable; ≠ not interchangeable; ← new for old; → old for new

REF.No	Part No.	Description	Q'ty	S.No.	I/C	REMARKS	Weight (kgf)	Weight (lb)
2	70060-01481	INNER SHIELD	1				0	0
3	70060-01480	SNAP RING	1				0	0
4	70060-01479	SNAP RING	1				0	0
5	70060-01249	YOKE & FEMALE SHAFT	1				0	0
6	70060-01020	U-JOINT KIT	1				0	0
7	70060-03431	YOKE	1				0	0



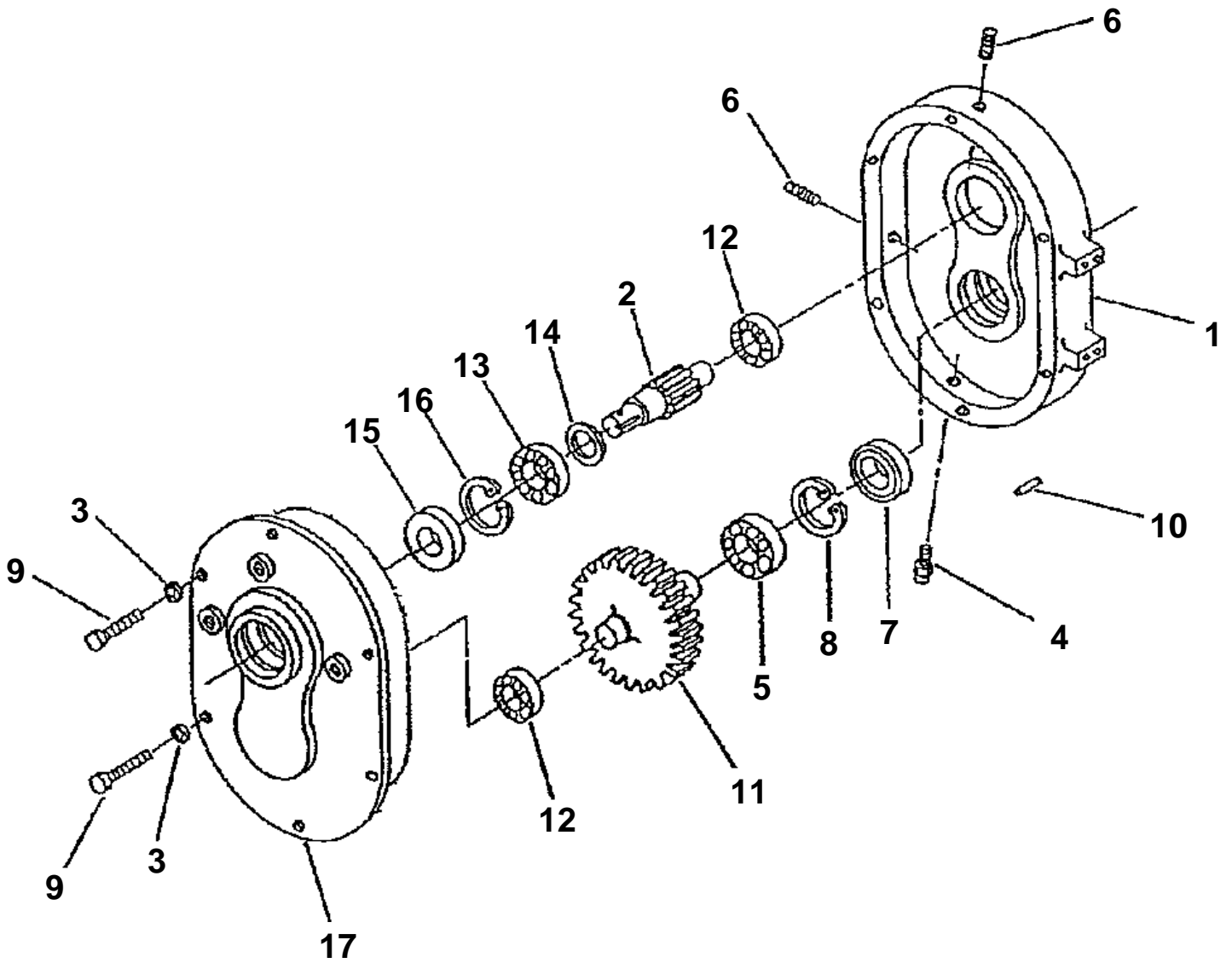


# DRIVELINE MALE

↔ Interchangeable; ≠ not interchangeable; ← new for old; → old for new

REF.No	Part No.	Description	Q'ty	S.No.	I/C	REMARKS	Weight (kgf)	Weight (lb)
1	70060-01477	DRIVELINE MALE HALF	1				0	0
2	70060-01482	QUICK DISCONNECT YOK	1				0	0
3	70060-01478	YOKE REPAIR KIT	1				0	0
4	70060-01020	U-JOINT KIT	1				0	0
5	70060-01484	YOKE & MALE SHAFT	1				0	0
6	70060-01479	BEARING RETAINER	1				0	0
7	70060-01480	NYLON BEARING	1				0	0
8	70060-01483	OUTER SHIELD	1				0	0

REDUCTION BOX





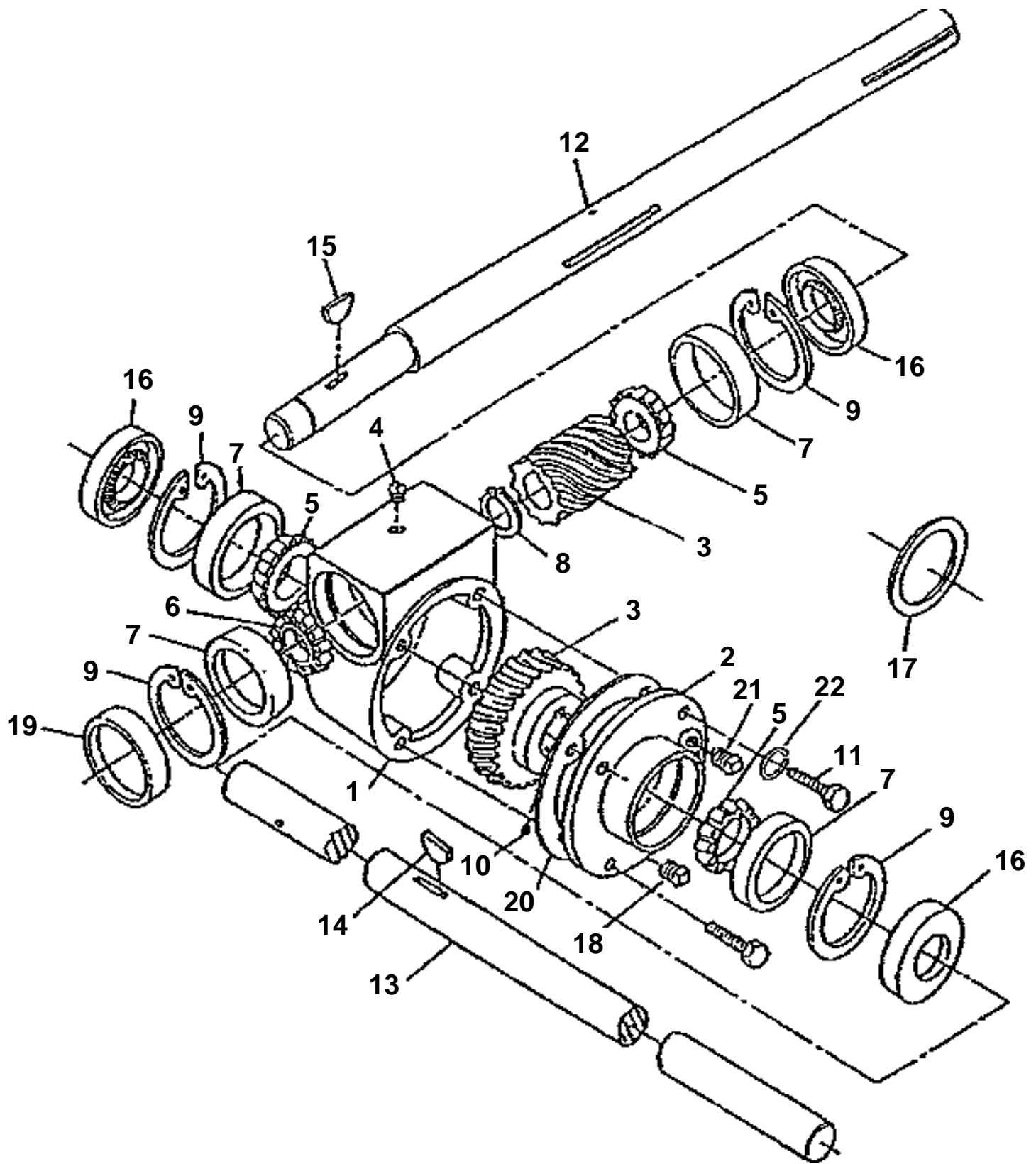


# REDUCTION BOX

↔ Interchangeable; ≠ not interchangeable; ← new for old; → old for new

REF.No	Part No.	Description	Q'ty	S.No.	I/C	REMARKS	Weight (kgf)	Weight (lb)
1	70060-03340	CASING	1				0	0
1A	70060-03294	REDUCTION BOX ASSY	1				0	0
2	70060-03753	PINION	1				0	0
3	70000-74028	OBTAIN LOCALLY	6				0	0
4	70060-03343	OIL FILLER PLUG	1				0	0
5	70060-03344	BEARING RETAINER	1				0	0
6	70060-03345	PLUG 3/8	2				0	0
7	70060-03346	OIL SEAL	1				0	0
8	70060-03347	SNAP RING	1				0	0
9	01152-51030	HEX BOLT	6				0	0
10	70060-03349	SPRING PIN	2				0	0
11	70060-03754	GEAR	1				0	0
12	70060-03351	BEARING RETAINER	2				0	0
13	70060-03850	BEARING RETAINER	1				0	0
14	70060-03353	SPACER	1				0	0
15	70060-03354	OIL SAEL	1				0	0
16	70060-03355	SNAP RING	1				0	0
17	70060-03356	COVER	1				0	0

WORM GEAR



**WORM GEAR**

↔ Interchangeable; ≠ not interchangeable; ← new for old; → old for new

REF.No	Part No.	Description	Q'ty	S.No.	I/C	REMARKS	Weight (kgf)	Weight (lb)
1	70060-00820	HOUSING	1				0	0
1A	70060-04290	WORM GEAR ASSY	1				0	0
2	70060-00821	COVER	1				0	0
3	70060-00822	WORM & BRONZE GEAR S	1				0	0
4	70060-00840	PRESSURE PLUG	1				0	0
5	70060-00824	BEARING INNER	3				0	0
6	70060-00825	BEARING INNER	1				0	0
7	70060-00826	BEARING OUTER	4				0	0
8	70060-00827	RETAINING RING EXTER	1				0	0
9	70060-00828	REATINING RING INTER	4				0	0
10	70060-00829	SET SCRWE ALLENHEAD	1				0	0
11	70060-00830	CAP SCREW	4				0	0
12	70060-04289	INPUT SHAFT	1				0	0
13	70060-00832	OUTPUT SHAFT	1				0	0
14	70060-00834	KEY	1				0	0
15	70060-00835	KEY	1				0	0
16	70060-00836	SEAL	3				0	0
17	70060-00842	SHIM	1				0	0
18	70060-00838	DRAIN PLUG	1				0	0
19	70060-00841	CAP SCREW	1				0	0
20	70060-00939	GASKET	1				0	0
21	70060-01428	OIL LEVEL PLUG	1				0	0
22	70000-74028	OBTAIN LOCALLY	4				0	0