



- U.S.A. : **KUBOTA TRACTOR CORPORATION**
3401 Del Amo Blvd., Torrance, CA 90503, U.S.A.
Telephone : (310)370-3370
- Western Division : 1175 S. Guild Av., Lodi, CA 95240
Telephone : (209)334-9910
- Central Division : 14855 FAA Blvd., Fort Worth, TX 76155
Telephone : (817)571-0900
- Northern Division : 6300 at One Kubota Way, Groveport, OH 43125
Telephone : (614)835-1100
- Southeast Division : 1025 Northbrook Parkway, Suwanee, GA 30024
Telephone : (770)995-8855
- Canada : **KUBOTA CANADA LTD.**
5900 14th Avenue, Markham, Ontario, L3S 4K4, Canada
Telephone : (905)294-7477
- France : **KUBOTA EUROPE S.A.S**
19-25, Rue Jules Vercey, Z.I. BP88, 95101 Argenteuil Cedex, France
Telephone : (33)1-3426-3434
- Italy : **KUBOTA EUROPE S.A.S Italy Branch**
Via Grandi, 29 20068 Peschiera Borrome (MI) Italy
Telephone : (39)02-51650377
- Germany : **KUBOTA (DEUTSCHLAND) GmbH**
Senefelder Str. 3-5 63110 Rodgau /Nieder-Roden, Germany
Telephone : (49)6106-873-0
- U.K. : **KUBOTA (U.K.) LTD.**
Dormer Road, Thame, Oxfordshire, OX9 3UN, U.K.
Telephone : (44)1844-214500
- Spain : **KUBOTA ESPAÑA S.A.**
Avenida Recomba No.5, Poligno Industrial la Laguna, Leganes, 28914 (Madrid) Spain
Telephone : (34)91-508-6442
- Australia : **KUBOTA TRACTOR AUSTRALIA PTY LTD.**
25-29 Permas Way, Truganina, VIC 3029, Australia
Telephone : (61)-3-9394-4400
- Malaysia : **SIME KUBOTA SDN. BHD.**
No.3 Jalan Sepadu 25/123 Taman Perindustrian Axis,
Seksyen 25, 40400 Shah Alam, Selangor Darul Ehsan Malaysia
Telephone : (60)3-736-1388
- Philippines : **KUBOTA PHILIPPINES, INC.**
155 Panay Avenue, South Triangle Homes, 1103 Quezon City, Philippines
Telephone : (63)2-9201071
- Taiwan : **SHIN TAIWAN AGRICULTURAL MACHINERY CO., LTD.**
16, Fengping 2nd Rd, Taliaw Shiang Kaohsiung 83107, Taiwan R.O.C.
Telephone : (886)7-702-2333
- Indonesia : **PT. KUBOTA MACHINERY INDONESIA**
Tower A at EightyEight@Kasablanka Lantai 16
Jalan Raya Casablanka Kav. 88, Jakarta 12870 Indonesia
Telephone : (62)-21-29568-720
- Thailand : **SIAM KUBOTA CORPORATION CO., LTD.**
101/19-24 Moo 20, Navanakorn Industrial Estate, Tambon Khlongnueng, Amphur Khlongluang,
Pathumthani 12120, THAILAND
Telephone : (66)2-909-0300
- Korea : **KUBOTA KOREA CO., LTD.**
106-24 Mongsan-Ri, Mankyung-Up, Kimje-City, Chonrapuk-Do, KOREA
Telephone : (82)-63-544-5822
- India : **KUBOTA AGRICULTURAL MACHINERY INDIA PVT. LTD.**
Regus, Level 2 Altius, Olympia Tech Park, No.1 SIDCO Industrial Estate, Guindy, Chennai 600032, TN, India
Telephone : (91)-44-4299-4237
- Vietnam : **KUBOTA VIETNAM CO., LTD.**
Lot B-3A2-CN, My Phuoc 3 Industrial Park, Ben Cat District, Binh Duong Province, Vietnam
Telephone : (84)-650-3577-507

KUBOTA Corporation

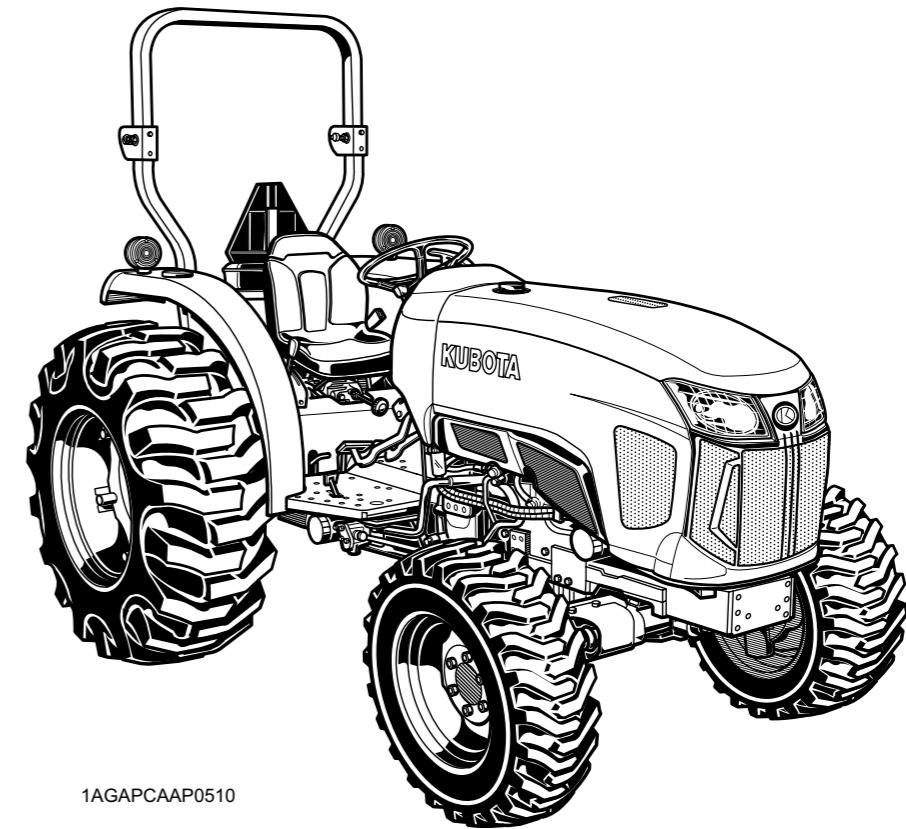
AS. A. 3-3. - K

English (U.S.A.)
Code No. TC630-5971-1

OPERATOR'S MANUAL

KUBOTA TRACTOR

MODEL L4701



1AGAPCAAP0510

L
4
7
0
1

READ AND SAVE THIS MANUAL



ABBREVIATION LIST

| Abbreviations | Definitions |
|---------------|--|
| 2WD | 2-Wheel Drive |
| 4WD | 4-Wheel Drive |
| API | American Petroleum Institute |
| ASABE | American Society of Agricultural and Biological Engineers, USA |
| ASTM | American Society of Testing and Materials, USA |
| DIN | Deutsches Institut für Normung, GERMANY |
| DT | Dual Traction [4WD] |
| fpm | Feet Per Minute |
| GST | Glide Shift Transmission |
| Hi-Lo | High Speed-Low Speed |
| HST | Hydrostatic Transmission |
| m/s | Meters Per Second |
| PTO | Power Take Off |
| RH/LH | Right-hand and left-hand sides are determined by facing in the direction of forward travel |
| ROPS | Roll-Over Protective Structures |
| rpm | Revolutions Per Minute |
| r/s | Revolutions Per Second |
| SAE | Society of Automotive Engineers, USA |
| SMV | Slow Moving Vehicle |

California Proposition 65

WARNING

Engine exhaust, some of its constituents, certain vehicle components and fluids, contain or emit chemicals known to the State of California to cause cancer and birth defects or other reproductive harm.

UNIVERSAL SYMBOLS

As a guide to the operation of your tractor, various universal symbols have been utilized on the instruments and controls. The symbols are shown below with an indication of their meaning.

| | | | |
|---|--|---|--|
|  | Safety Alert Symbol |  | 3-Point Lowering Speed Control |
|  | Diesel Fuel |  | Remote Cylinder-Retract |
|  | Fuel-Level |  | Remote Cylinder-Extend |
|  | Engine-Rotational Speed |  | Steering Wheel-Tilt Control |
|  | Hourmeter/Elapsed Operating Hours |  | Hazard Warning Lights |
|  | Engine Coolant-Temperature |  | Master Lighting Switch |
|  | Diesel Preheat/Glow Plugs (Low Temperature Start Aid) |  | Position Lamps |
|  | Brake System |  | Headlight-Low Beam |
|  | Clutch |  | Headlight-High Beam |
|  | Parking Brake |  | Audible Warning Device |
|  | Engine Intake/Combustion Air-Filter |  | 4-Wheel Drive-On |
|  | Battery Charging Condition |  | 4-Wheel Drive-Off |
|  | Engine Oil-Pressure |  | Fast |
|  | Turn Signal |  | Slow |
|  | Engine-Stop |  | Creep |
|  | Engine-Run |  | Read Operator's Manual |
|  | Starter Control |  | Tractor-Forward Movement-Overhead View of Machine |
|  | Power Take-Off Control-Off Position |  | Tractor-Rearward Movement-Overhead View of Machine |
|  | Power Take-Off Control-On Position |  | Engine Speed Control |
|  | Differential Lock |  | Regeneration |
|  | Position Control-Raised Position |  | DPF INHIBIT (Switch) |
|  | Position Control-Lowered Position |  | Parked Regeneration (Switch) |
|  | Engine Warning |  | Parked Regeneration |
|  | Emission Control |  | Engine RPM Increase |
|  | Draft Control-Shallow Position | | |
|  | Draft Control-Deep Position | | |

FOREWORD

You are now the proud owner of a KUBOTA Tractor. This tractor is a product of KUBOTA quality engineering and manufacturing. It is made of fine materials and under a rigid quality control system. It will give you long, satisfactory service. To obtain the best use of your tractor, please read this manual carefully. It will help you become familiar with the operation of the tractor and contains many helpful hints about tractor maintenance. It is KUBOTA's policy to utilize as quickly as possible every advance in our research. The immediate use of new techniques in the manufacture of products may cause some small parts of this manual to be outdated. KUBOTA distributors and dealers will have the most up-to-date information. Please do not hesitate to consult with them.

SAFETY FIRST

This symbol, the industry's "Safety Alert Symbol", is used throughout this manual and on labels on the machine itself to warn of the possibility of personal injury. Read these instructions carefully. It is essential that you read the instructions and safety regulations before you attempt to assemble or use this unit.



DANGER : Indicates an imminently hazardous situation which, if not avoided, will result in death or serious injury.



WARNING : Indicates a potentially hazardous situation which, if not avoided, could result in death or serious injury.



CAUTION : Indicates a potentially hazardous situation which, if not avoided, may result in minor or moderate injury.

IMPORTANT : Indicates that equipment or property damage could result if instructions are not followed.

NOTE : Gives helpful information.

CONTENTS

| | |
|--|-----|
| ▲SAFE OPERATION | ▲-1 |
| SERVICING OF TRACTOR..... | 1 |
| SPECIFICATIONS..... | 3 |
| SPECIFICATION TABLE | 3 |
| TRAVELING SPEEDS | 5 |
| IMPLEMENT LIMITATIONS | 6 |
| INSTRUMENT PANEL AND CONTROLS..... | 8 |
| PRE-OPERATION CHECK | 12 |
| DAILY CHECK | 12 |
| OPERATING THE ENGINE..... | 13 |
| EXHAUST AFTERTREATMENT DEVICES..... | 13 |
| Diesel Particulate Filter (DPF) Muffler | 13 |
| Handling Points..... | 14 |
| DPF Regeneration Process | 14 |
| Regeneration Operating Procedure..... | 15 |
| PM Warning Level and Required Procedures | 16 |
| Regeneration Operating Procedure..... | 17 |
| PM Warning Level and Required Procedures | 18 |
| Tips on Diesel Particulate Filter (DPF) Regeneration..... | 20 |
| STARTING THE ENGINE | 20 |
| COLD WEATHER STARTING | 24 |
| Block Heater (if equipped) | 24 |
| STOPPING THE ENGINE..... | 25 |
| WARMING UP | 25 |
| Warm-Up Transmission Oil in the Low Temperature Range | 25 |
| JUMP STARTING | 25 |
| OPERATING THE TRACTOR..... | 27 |
| OPERATING NEW TRACTOR | 27 |
| Do not Operate the Tractor at Full Speed for the First 50 Hours..... | 27 |
| Changing Lubricating Oil for New Tractors..... | 27 |
| BOARDING AND LEAVING THE TRACTOR | 27 |
| OPERATING FOLDABLE ROPS (if equipped)..... | 27 |
| To Fold the ROPS | 27 |
| To Raise the ROPS to Upright Position..... | 28 |
| Adjustment of Foldable ROPS..... | 29 |
| STARTING | 29 |
| Operator's Seat..... | 29 |
| Seat Belt | 30 |
| Head Light / Turn Signal / Hazard Light Switch | 30 |
| Tractor Lights..... | 31 |
| Brake Pedals (Right and Left)..... | 31 |
| Clutch Pedal | 32 |
| Main Gear Shift Lever & Range Gear Shift Lever..... | 33 |

| | |
|---|-----------|
| Synchro-Shuttle Shift Lever | 33 |
| Front Wheel Drive Lever | 34 |
| Hand Throttle Lever | 34 |
| Foot Throttle | 34 |
| Parking Brake | 35 |
| Range Gear Shift Lever (L-M-H)..... | 36 |
| Front Wheel Drive Lever | 37 |
| Hand Throttle Lever | 37 |
| Parking Brake | 37 |
| Speed Control Pedal..... | 38 |
| Cruise Control Lever..... | 38 |
| STOPPING..... | 40 |
| Stopping..... | 40 |
| CHECK DURING DRIVING | 40 |
| Immediately Stop the Engine if: | 40 |
| Easy Checker(TM)..... | 40 |
| Fuel Gauge | 41 |
| Coolant Temperature Gauge | 41 |
| Hourmeter/Tachometer..... | 41 |
| PARKING | 42 |
| Parking..... | 42 |
| Parking..... | 42 |
| OPERATING TECHNIQUES | 43 |
| Differential Lock | 43 |
| Operating the Tractor on a Road | 43 |
| Operating on Slopes and Rough Terrain | 44 |
| Transport the Tractor Safely | 44 |
| Directions for Use of Power Steering..... | 44 |
| Electrical Outlet..... | 44 |
| PTO | 45 |
| PTO OPERATION..... | 45 |
| PTO Clutch Control Switch | 45 |
| Stationary PTO | 46 |
| PTO Shaft Cover and Shaft Cap | 46 |
| 3-POINT HITCH & DRAWBAR..... | 47 |
| 3-POINT HITCH | 48 |
| Selecting the top link mounting holes | 48 |
| Drawbar | 48 |
| Lifting Rod (Right)..... | 48 |
| Top Link | 48 |
| Telescopic Stabilizers | 49 |
| DRAWBAR..... | 49 |
| Adjusting Drawbar Length | 49 |
| Swing Drawbar(if equipped) | 50 |
| HYDRAULIC UNIT..... | 51 |
| 3-POINT HITCH CONTROL SYSTEM..... | 51 |
| Position Control | 51 |
| Draft Control (if equipped) | 51 |
| Mixed Control..... | 52 |
| Float Control | 52 |

| | |
|---|-----------|
| 3-point Hitch Lowering Speed..... | 52 |
| AUXILIARY HYDRAULICS | 53 |
| Hydraulic Block Type Outlet | 53 |
| REMOTE HYDRAULIC CONTROL SYSTEM (if equipped)..... | 53 |
| Remote Control Valve..... | 53 |
| Remote Control Valve Lever..... | 53 |
| Remote Control Valve Coupler Connecting and Disconnecting | 54 |
| Hydraulic Control Unit Use Reference Chart..... | 55 |
| TIRES, WHEELS AND BALLAST | 56 |
| TIRES..... | 56 |
| Inflation Pressure..... | 56 |
| Dual Tires | 56 |
| WHEEL ADJUSTMENT | 56 |
| Front Wheels (with 2-wheel drive) | 56 |
| Front Wheels (with 4-wheel drive) | 58 |
| Rear Wheels | 59 |
| BALLAST | 60 |
| Front Ballast..... | 60 |
| Rear Ballast | 61 |
| Liquid Ballast in Rear Tires..... | 61 |
| MAINTENANCE..... | 62 |
| SERVICE INTERVALS | 62 |
| LUBRICANTS, FUEL AND COOLANT | 65 |
| PERIODIC SERVICE..... | 67 |
| HOW TO OPEN THE HOOD | 67 |
| Hood | 67 |
| Side Cover..... | 67 |
| DAILY CHECK | 68 |
| Walk Around Inspection..... | 68 |
| Checking and Refueling..... | 68 |
| Checking Water Separator | 69 |
| Checking Engine Oil Level..... | 69 |
| Checking Transmission Fluid Level | 70 |
| Checking Coolant Level..... | 70 |
| Cleaning Evacuator Valve | 71 |
| Cleaning Grill and Radiator Screen | 71 |
| Checking DPF Muffler..... | 71 |
| Checking Brake Pedal | 72 |
| Checking Brake Pedals and Clutch Pedal | 72 |
| Checking Gauges, Meter and Easy Checker(TM)..... | 72 |
| Checking Head Light, Turn Signal / Hazard Light etc..... | 72 |
| Checking Seat Belt and ROPS | 72 |
| Checking and Cleaning of Electrical Wiring and Battery Cables | 72 |
| Checking Movable Parts..... | 72 |
| EVERY 50 HOURS | 73 |
| Lubricating Grease Fittings..... | 73 |
| Checking Engine Start System..... | 74 |
| Checking Operator Presence Control..... | 75 |
| Checking Wheel Bolt Torque | 75 |
| Checking Tie-rod Dust Cover | 76 |

| | |
|--|----|
| EVERY 100 HOURS | 76 |
| Cleaning Air Cleaner Primary Element | 76 |
| Adjusting Fan Belt Tension | 77 |
| Checking Fuel Line | 77 |
| Checking Fuel Grommet | 77 |
| Adjusting Clutch Pedal | 78 |
| Adjusting Brake Pedal | 78 |
| Checking Battery Condition | 79 |
| EVERY 200 HOURS | 81 |
| Replacing Transmission Oil Filter [HST Type] | 81 |
| Checking Radiator Hose and Clamp | 81 |
| Checking Oil Cooler Line | 82 |
| Checking Intake Air Line | 82 |
| Checking Oil Separator Hose | 82 |
| Checking Power Steering Line | 83 |
| Adjusting Toe-in | 83 |
| EVERY 400 HOURS | 84 |
| Changing Engine Oil | 84 |
| Replacing Engine Oil Filter | 85 |
| Changing Transmission Fluid / Replacing Hydraulic Oil Filter | 85 |
| Changing Front Axle Case Oil | 86 |
| Replacing Fuel Filter | 87 |
| Cleaning Water Separator | 87 |
| Lubricating Grease Fitting [2WD Model] | 88 |
| EVERY 600 HOURS | 88 |
| Adjusting Front Axle Pivot | 88 |
| EVERY 800 HOURS | 88 |
| Adjusting Engine Valve Clearance | 88 |
| EVERY 1500 HOURS | 88 |
| Cleaning Fuel Injector Nozzle Tip | 88 |
| Replacing Oil Separator Element | 88 |
| Checking PCV (Positive Crankcase Ventilation) Valve | 88 |
| Checking and Cleaning EGR Cooler | 88 |
| EVERY 3000 HOURS | 89 |
| Checking Supply Pump | 89 |
| Checking and Cleaning EGR System | 89 |
| Cleaning DPF Muffler | 89 |
| EVERY 1 YEAR | 89 |
| Replacing Air Cleaner Primary Element and Secondary Element | 89 |
| Checking Exhaust Manifold | 89 |
| Checking DPF Differential Pressure Sensor Pipe | 89 |
| Checking EGR Pipe | 89 |
| EVERY 2 YEARS | 89 |
| Flushing Cooling System and Changing Coolant | 89 |
| Anti-Freeze | 90 |
| Replacing Radiator Hose (Water pipes) | 91 |
| Replacing Power Steering Hose | 91 |
| Replacing Fuel Hose | 91 |
| Replacing Fuel Grommet | 91 |
| Replacing Oil Cooler Line | 91 |
| Replacing Intake Air Line | 91 |
| Replacing Oil Separator Hose | 91 |

| | |
|---|----|
| Replacing DPF Differential Pressure Sensor Hose | 91 |
| SERVICE AS REQUIRED..... | 92 |
| Bleeding Fuel System..... | 92 |
| Draining Clutch Housing Water | 92 |
| Replacing Fuse..... | 92 |
| Replacing Slow-Blow Fuses | 93 |
| Replacing Light Bulb..... | 93 |
| Replacing Head Lamp | 94 |
| STORAGE | 95 |
| TRACTOR STORAGE | 95 |
| REMOVING THE TRACTOR FROM STORAGE..... | 95 |
| TROUBLESHOOTING..... | 96 |
| ENGINE TROUBLESHOOTING | 96 |
| POWER TRAIN TROUBLE SHOOTING..... | 97 |
| OPTIONS..... | 98 |
| APPENDICES..... | 99 |
| INDEX | 99 |



SAFE OPERATION

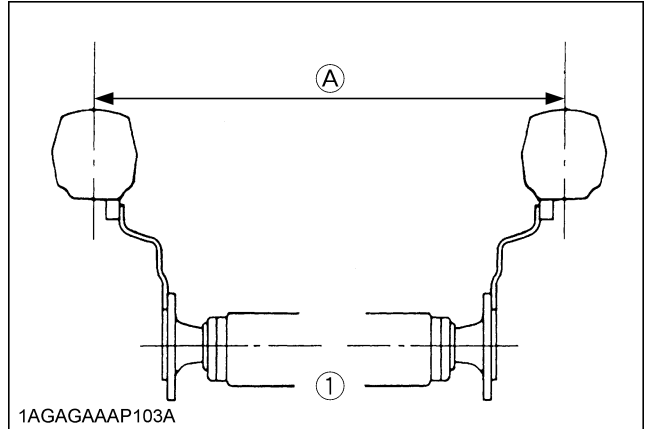
Careful operation is your best insurance against an accident.

Read and understand this manual carefully before operating the tractor.

All operators, no matter how much experience they may have, should read this and other related manuals before operating the tractor or any implement attached to it. It is the owner's obligation to instruct all operators in safe operation.

1. BEFORE OPERATING THE TRACTOR

1. Know your equipment and its limitations. Read this entire manual before attempting to start and operate the tractor.
2. Pay special attention to the danger, warning and caution labels on the tractor.
3. Do not operate the tractor or any implement attached to it while under the influence of alcohol, medication, controlled substances or while fatigued.
4. Before allowing other people to use your tractor, explain how to operate and have them read this manual before operation.
5. Never wear loose, torn, or bulky clothing around tractor. It may catch on moving parts or controls, leading to the risk of an accident. Use additional safety items, e.g. hard hat, safety boots or shoes, eye and hearing protection, gloves, etc., as appropriate or required.
6. Do not allow passengers to ride on any part of the tractor at anytime. The operator must remain in the tractor seat during operation.
7. Check brakes, clutch, linkage pins and other mechanical parts for improper adjustment and wear. Replace worn or damaged parts promptly. Check the tightness of all nuts and bolts regularly. (For further details, see "MAINTENANCE" section.)
8. Keep your tractor clean. Dirt, grease, and trash build up may contribute to fires and lead to personal injury.
9. Use only implements meeting the specifications listed under "IMPLEMENT LIMITATIONS" in this manual or implements approved by KUBOTA.
10. Use proper weights on the front or rear of the tractor to reduce the risk of upsets. When using the front loader, put an implement or ballast on the 3-point hitch to improve stability. Follow the safe operating procedures specified in the implement or attachment manual.
11. The narrower the tread, the greater the risk of a tractor upset. For maximum stability, adjust the wheels to the widest practical tread width for your application. (See "TIRES, WHEELS AND BALLAST" section.)
12. Do not modify the tractor. Unauthorized modification may affect the function of the tractor, which may result in personal injury.



(1) Rear wheels

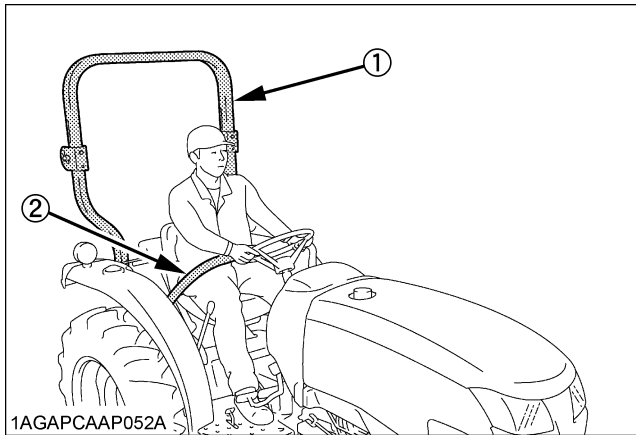
(A) Tread Width

◆ CAB, ROPS

1. KUBOTA recommends the use of a CAB or Roll Over Protective Structures (ROPS) and seat belt in almost all applications. This combination will reduce the risk of serious injury or death, should the tractor be upset. Check for overhead clearance which may interfere with a CAB or ROPS.
2. Set parking brake and stop engine. Remove any obstruction that may prevent raising or folding of the ROPS. Do not allow any bystanders. Always perform function from a stable position at the rear of the tractor. Hold the top of the ROPS securely when raising or folding. Make sure all pins are installed and locked.
3. If the CAB or ROPS is loosened or removed for any reason, make sure that all parts are reinstalled correctly before operating the tractor.
4. Never modify or repair any structural member of a CAB or ROPS because welding, bending, drilling, grinding, or cutting may weaken the structure.
5. A damaged CAB or ROPS structure must be replaced, not repaired or revised.
6. If any structural member of the CAB or ROPS is damaged, replace the entire structure at your local KUBOTA Dealer.

▲-2 SAFE OPERATION

- If the tractor is equipped with a foldable ROPS it may be temporarily folded down only when absolutely necessary for areas with height constraints. (There is no operator protection provided by the ROPS in the folded position. For operator safety the ROPS should be placed in the upright and locked position and the seat belt fastened for all other operations.)
- Always use the seat belt if the tractor has a CAB or ROPS.
Do not use the seat belt if a foldable ROPS is down or there is no ROPS. Check the seat belt regularly and replace if frayed or damaged.



- (1) ROPS
(2) Seat belt

2. OPERATING THE TRACTOR

Operator safety is a priority. Safe operation, specifically with respect to overturning hazards, entails understanding the equipment and environmental conditions at the time of use. Some prohibited uses which can affect overturning hazards include traveling and turning with implements and loads carried too high etc. This manual sets forth some of the obvious risks, but the list is not, and cannot be, exhaustive. It is the operator's responsibility to be alert for any equipment or environmental condition that could compromise safe operation.

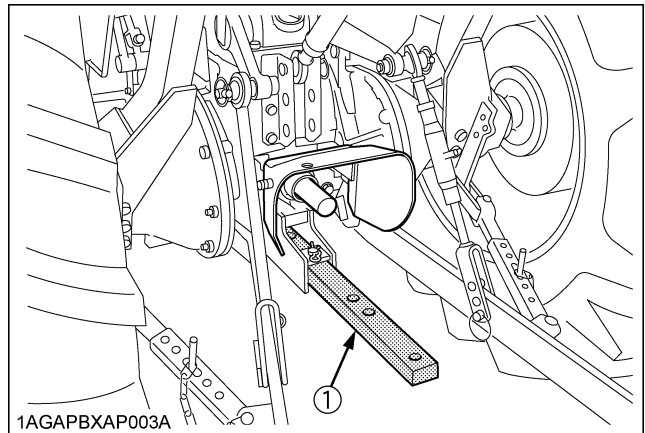
◆ Starting

- Always sit in the operator's seat when starting engine or operating levers or controls. Adjust seat per instructions in the operating the tractor section. Never start engine while standing on the ground.
- Before starting the engine, make sure that all levers (including auxiliary control levers) are in their neutral positions, that the parking brake is engaged, and that both the clutch and the Power Take-Off (PTO) are disengaged or "OFF".
Fasten the seat belt if the tractor has a CAB or a foldable ROPS in the upright and locked position.

- Do not start engine by shorting across starter terminals or bypassing the safety start switch. Machine may start in gear and move if normal starting circuitry is bypassed.
- Do not operate or idle engine in a non-ventilated area. Carbon monoxide gas is colorless, odorless, and deadly.
- Check before each use that operator presence controls are functioning correctly. Test safety systems. (See "Checking Engine Start System" in "EVERY 50 HOURS" in "PERIODIC SERVICE" section.)
Do not operate unless they are functioning correctly.

◆ Working

- Pull only from the drawbar. Never hitch to axle housing or any other point except drawbar; such arrangements will increase the risk of serious personal injury or death due to a tractor upset.



- (1) Drawbar

- For trailing PTO-driven implements, set the drawbar to the towing position.
- Attach pulled or towed loads to the drawbar only.
- Keep all shields and guards in place. Replace any that are missing or damaged.
- Avoid sudden starts. To avoid upsets, slow down when turning, on uneven ground, and before stopping.
- The tractor cannot turn with the differential locked and attempting to do so could be dangerous.
- Do not operate near ditches, holes, embankments, or other ground surface features which may collapse under the tractor's weight. The risk of tractor upset is even higher when the ground is loose or wet. Tall grass can hide obstacles, walk the area first to be sure.
- Watch where you are going at all times. Watch for and avoid obstacles. Be alert at row ends, near trees, and other obstructions.
- When working in groups, always let the others know what you are going to do before you do it.
- Never try to get on or off a moving tractor.
- Always sit in the operator's seat when operating levers or controls.
- Do not stand between tractor and implement or trailed vehicle unless parking brake is applied.

◆ Safety for children

Tragedy can occur if the operator is not alert to the presence of children. Children generally are attracted to machines and the work they do.

1. Never assume that children will remain where you last saw them.
2. Keep children out of the work area and under the watchful eye of another responsible adult.
3. Be alert and shut your machine down if children enter the work area.
4. Never carry children on your machine. There is no safe place for them to ride. They may fall off and be run over or interfere with your control of the machine.
5. Never allow children to operate the machine even under adult supervision.
6. Never allow children to play on the machine or on the implement.
7. Use extra caution when backing up. Look behind and down to make sure area is clear before moving.

◆ Operating on slopes

Slopes are a major factor related to loss-of-control and tip-over accidents, which can result in severe injury or death. All slopes require extra caution.

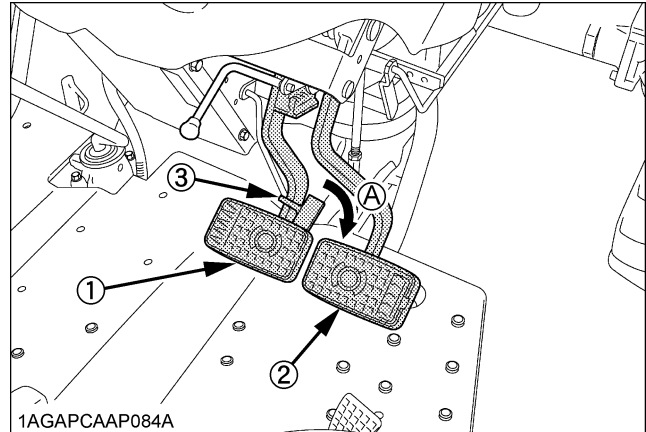
1. To avoid upsets, always back up steep slopes. If you cannot back up the slope or if you feel uneasy on it, do not operate on it. Stay off slopes too steep for safe operation.
2. Driving forward out of a ditch, mired condition or up a steep slope increases the risk of a tractor to be upset backward. Always back out of these situations. Extra caution is required with 4-wheel drive models because their increased traction can give the operator false confidence in the tractor's ability to climb slopes.
3. Keep all movement on slopes slow and gradual. Do not make sudden changes in speed, direction or apply brake and make sudden motions of the steering wheel.
4. Avoid disengaging the clutch or changing gears speed when climbing or going down a slope. If on a slope disengaging the clutch or changing gears to neutral could cause loss of control.
5. Special attention should be made to the weight and location of implements and loads as such will affect the stability of the tractor.
6. To improve stability on slope, set widest wheel tread as shown in "TIRES, WHEELS AND BALLAST" section.

Follow recommendations for proper ballasting.

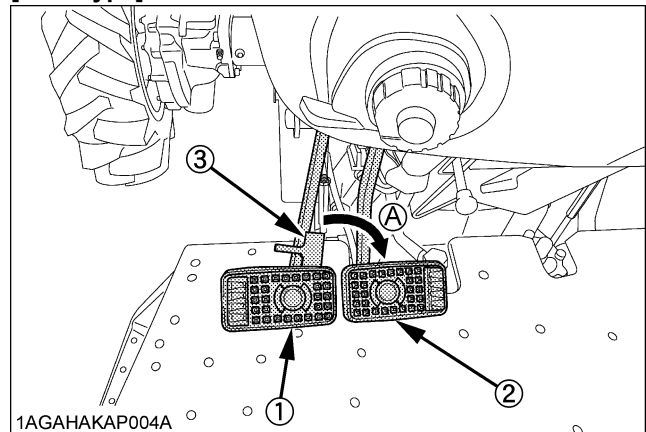
◆ Driving the tractor on the road

1. Lock the 2 brake pedals together to help assure straight-line stops. Uneven braking at road speeds could cause the tractor to tip over.

[Manual Transmission Type]



[HST Type]

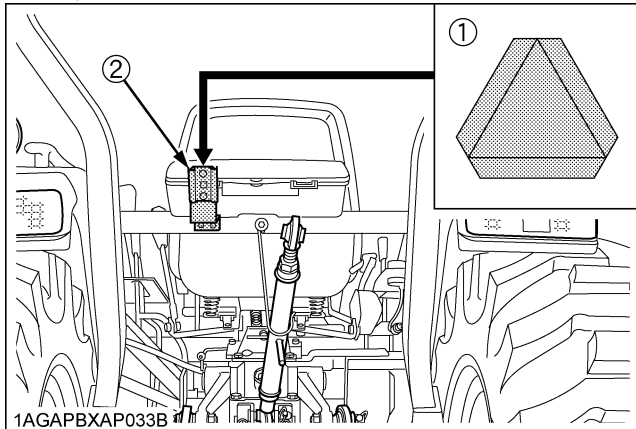


- (1) Brake Pedal (LH) (A) Whenever travelling on the road
 (2) Brake Pedal (RH)
 (3) Brake Pedal Lock

2. Check the front wheel engagement. The braking characteristics are different between 2 and 4-wheel drive. Be aware of the difference and use carefully.
3. Always slow the tractor down before turning. Turning at high speed may tip the tractor over.

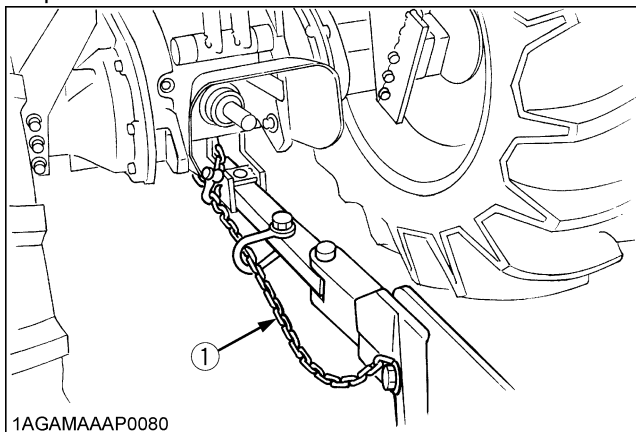
▲-4 SAFE OPERATION

4. Make sure that the Slow Moving Vehicle (SMV) sign is clean and visible. Use hazard lights and turn signals as required.



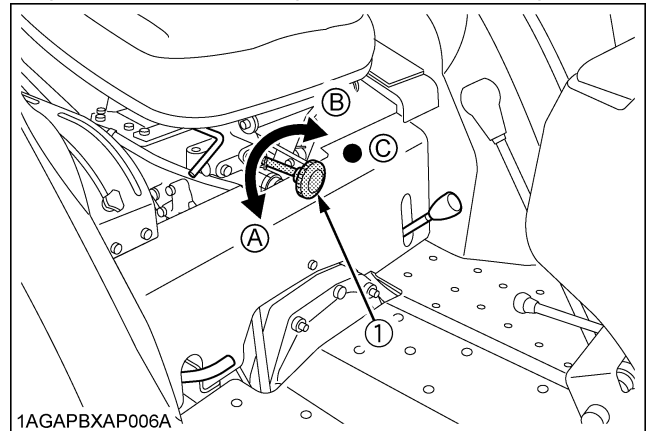
- (1) SMV emblem
(2) Bracket

5. Observe all local traffic and safety regulations.
6. Turn the headlights on. Dim them when meeting another vehicle.
7. Drive at speeds that allow you to maintain control at all times.
8. Do not apply the differential lock while traveling at road speeds. The tractor may run out of control.
9. Avoid sudden motions of the steering wheel as they can lead to a dangerous loss of stability. The risk is especially great when the tractor is traveling at road speeds.
10. Keep the ROPS in the "UP" position and wear the seat belt when driving the tractor on the road. Otherwise, you will not be protected in the event of a tractor roll-over.
11. Do not operate an implement while the tractor is on the road. Lock the 3-point hitch in the raised position.
12. When towing other equipment, use a safety chain and place an SMV emblem on it as well.



- (1) Safety chain

13. Set the implement lowering speed knob in the "LOCK" position to hold the implement in the raised position.



- (1) 3-point hitch lowering speed knob
(A) "FAST"
(B) "SLOW"
(C) "LOCK"

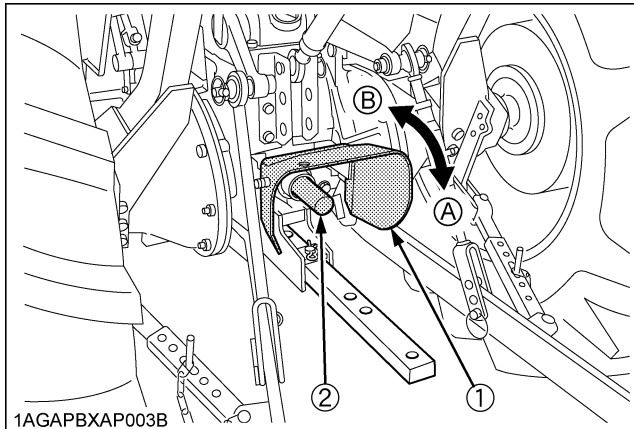
3. PARKING THE TRACTOR

1. Disengage the PTO, lower all implements to the ground, place all control levers in their neutral positions, set the parking brake, stop the engine, remove the key from the ignition and lock the cab door (if equipped). Leaving transmission in gear with the engine stopped will not prevent tractor from rolling. (HST type)
2. Make sure that the tractor has come to a complete stop before dismounting.
3. Avoid parking on steep slopes, if at all possible park on a firm and level surface; if not, park across a slope with chock the wheels.
Failure to comply with this warning may allow the tractor to move and could cause injury or death.

4. OPERATING THE PTO

1. Wait until all moving components have completely stopped before getting off the tractor, connecting, disconnecting, adjusting, cleaning, or servicing any PTO driven equipment.

- Keep the PTO shaft cover in place at all times. Replace the PTO shaft cap when the shaft is not in use.



(1) PTO Shaft cover (A) "NORMAL POSITION"
(2) PTO Shaft cap (B) "RAISED POSITION"

- Before installing or using PTO driven equipment, read the manufacturer's manual and review the safety labels attached to the equipment.
- When operating stationary PTO driven equipment, always apply the tractor parking brake and place chocks behind and in front of the rear wheels. Stay clear of all rotating parts. Never step over rotating parts.

5. USING 3-POINT HITCH

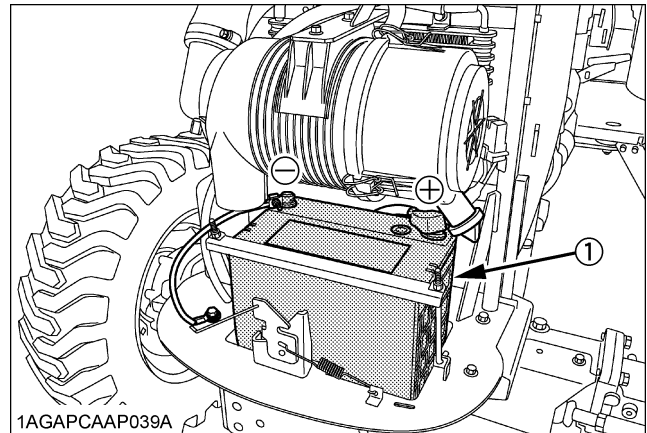
- Use the 3-point hitch only with equipment designed for 3-point hitch usage.
- When using a 3-point hitch mounted implement, be sure to install the proper counterbalance weight on the front of the tractor.

6. SERVICING THE TRACTOR

Before servicing the tractor, park it on a firm, flat and level surface, set the parking brake, lower all implements to the ground, place the gear shift lever in neutral, stop the engine and remove the key.

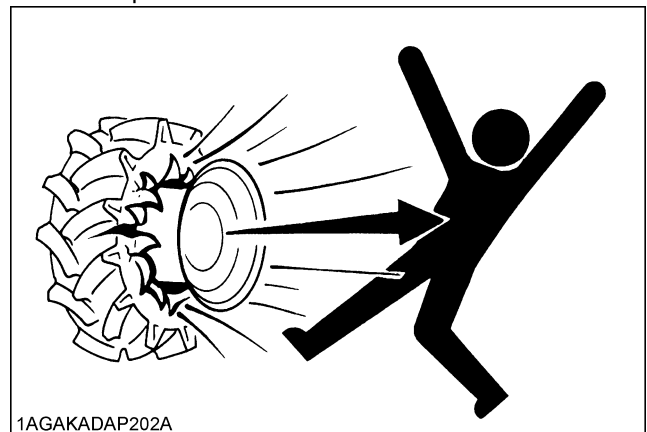
- Allow the tractor time to cool off before working on or near the engine, muffler, radiator, etc.
- Do not remove radiator cap while coolant is hot. When cool, slowly rotate cap to the first stop and allow sufficient time for excess pressure to escape before removing the cap completely. If the tractor has a coolant recovery tank, add coolant or water to the tank, not the radiator. (See "Checking Coolant Level" in "DAILY CHECK" in "PERIODIC SERVICE" section.)
- Always stop the engine before refueling. Avoid spills and overfilling.

- Do not smoke when working around battery or when refueling. Keep all sparks and flames away from battery and fuel tank. The battery presents an explosive hazard, because it gives off hydrogen and oxygen especially when recharging.
- Before "jump starting" a dead battery, read and follow all of the instructions. (See "JUMP STARTING" in "OPERATING THE ENGINE" section.)
- Keep first aid kit and fire extinguisher handy at all times.
- Disconnect the battery's ground cable before working on or near electric components.
- To avoid the possibility of battery explosion, do not use or charge the refillable type battery if the fluid level is below the LOWER (lower limit level) mark. Check the fluid level regularly and add distilled water as required so that the fluid level is between the UPPER and LOWER levels.
- To avoid sparks from an accidental short circuit, always disconnect the battery's ground cable (-) first and reconnect it last.



(1) Battery

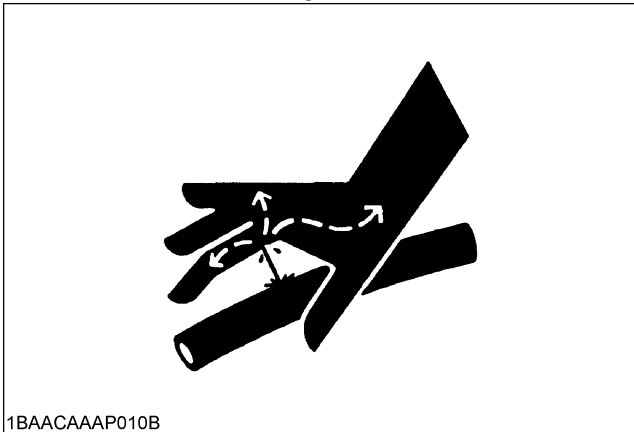
- Do not attempt to mount a tire on a rim. This should be done by a qualified person with the proper equipment.
- Always maintain the correct tire pressure. Do not inflate tires above the recommended pressure shown in the operator's manual.



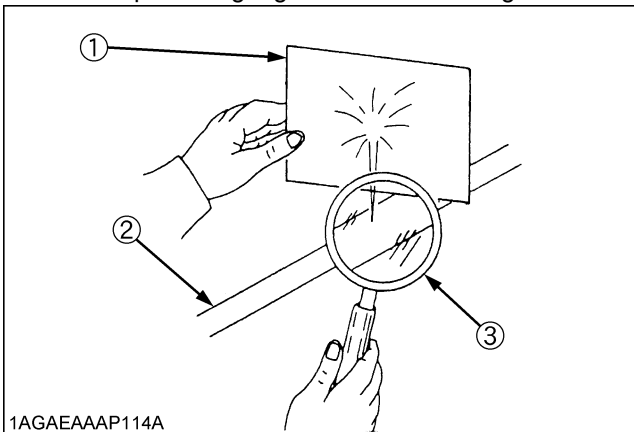
- Securely support the tractor when either changing wheels or adjusting the wheel tread width.

▲-6 SAFE OPERATION

13. Make sure that wheel bolts have been tightened to the specified torque.
14. Do not work under any hydraulically supported devices. They can settle, suddenly leak down, or be accidentally lowered. If it is necessary to work under tractor or any machine elements for servicing or adjustment, securely support them with stands or suitable blocking beforehand.
15. Escaping hydraulic fluid under pressure has sufficient force to penetrate skin, causing serious personal injury. Before disconnecting hydraulic lines, be sure to release all residual pressure. Before applying pressure to the hydraulic system, make sure that all connections are tight and that all lines, pipes, and hoses are free of damage.



16. Fluid escaping from pinholes may be invisible. Do not use hands to search for suspected leaks; use a piece of cardboard or wood. Use of safety goggles or other eye protection is also highly recommended. If injured by escaping fluid, see a medical doctor at once. This fluid will produce gangrene or severe allergic reaction.

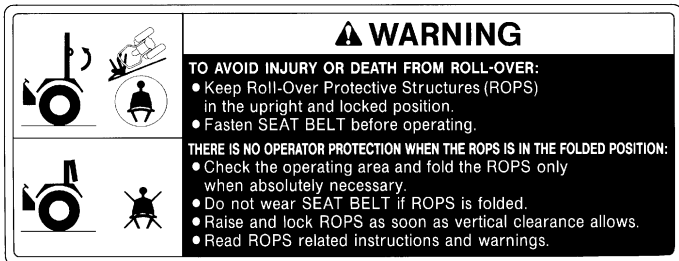


- (1) Cardboard
- (2) Hydraulic line
- (3) Magnifying glass

17. Do not open high-pressure fuel system.
High-pressure fluid remaining in fuel lines can cause serious injury. Do not disconnect nor attempt to repair fuel lines, sensors, or any other components between the high-pressure fuel pump and injectors on engines with high pressure common rail fuel system.
18. To avoid hazardous high voltage, turn the key switch to the OFF position if it is necessary to check to repair the computer, harness or connectors.
19. During Diesel Particulate Filter (hereinafter called DPF) regenerating operations, exhaust gases and exhaust filter components reach temperatures hot enough to burn people, or ignite or melt common materials.
20. Keep the tractor away from people, animals or structures which may be susceptible to harm or damage from hot exhaust gases.
21. To prevent fires, keep the DPF muffler and its surroundings clear of anything flammable and keep clean at all times.
22. During regeneration, white exhaust gas may be visible. Do not allow regeneration in a non-ventilated space.
23. During regeneration, do not leave the tractor.

7. DANGER, WARNING AND CAUTION LABELS

(1) Part No. TC630-9848-1



1AGAEBMAP071E

(3) Part No. TC630-4956-1

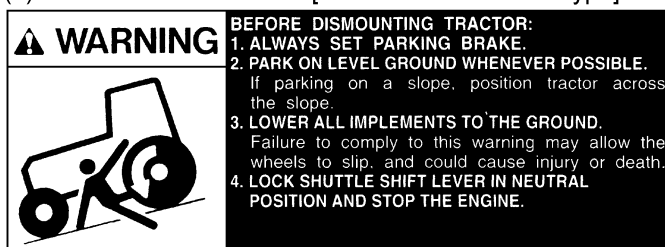
Diesel fuel only

No fire



1AGAIDHAP154E

(2) Part No. TC630-4933-1 [Manual Transmission type]



1AGAMAAAP400A

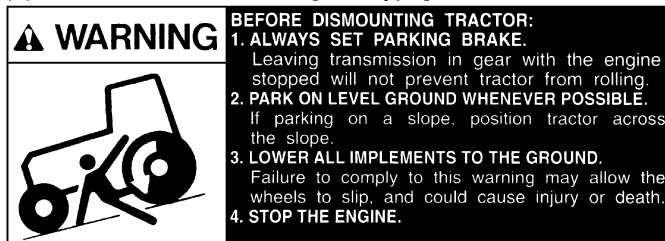
(4) Part No. TC620-4958-1

Do not get your hands close to engine fan and fan belt.

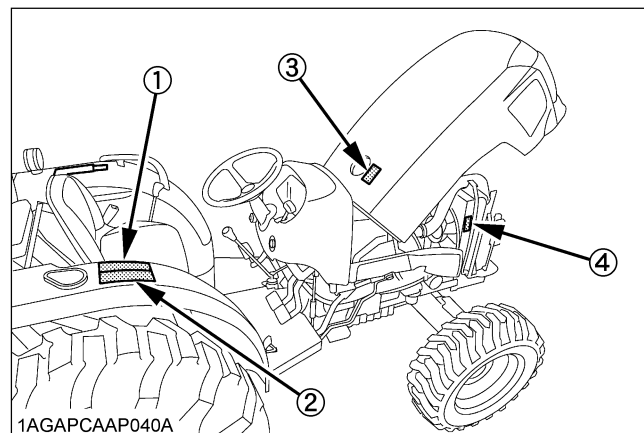


1AGAMAAAP2620

(2) Part No. TC630-5933-1 [HST type]



1AGAMAAAP3720



1AGAPCAAP040A

(1) Part No. TC630-4997-1

▲ CAUTION

TO AVOID PERSONAL INJURY:

1. Read and understand the operator's manual before operation.
2. Before starting the engine, make sure that everyone is at a safe distance from the tractor and that the PTO is OFF.
3. Do not allow passengers on the tractor at any time.
4. Before allowing other people to use the tractor, have them read the operator's manual.
5. Check the tightness of all nuts and bolts regularly.
6. Keep all shields in place and stay away from all moving parts.
7. Lock the two brake pedals together before driving on the road.
8. Slow down for turns, or rough roads, or when applying individual brakes.
9. On public roads use SMV emblem and hazard lights, if required by local traffic and safety regulations.
10. Pull only from the drawbar.
11. Before dismounting, lower the implement to the ground, set the parking brake, stop the engine and remove the key.
12. Securely support tractor and implements before working underneath.

1AGAMAAAP2390

(4) Part No. TC620-4958-1
Do not get your hands close to engine fan and fan belt.



1AGAMAAAP2620

(2) Part No. TC630-9868-1

▲ CAUTION

TO AVOID PERSONAL INJURY:

When the Diesel Particulate Filter (DPF) is in the regenerating mode, the exhaust gas and the DPF muffler become hot.

During regeneration, take into account that the muffler will be very hot and keep the machine away from other people, animals, plants, and flammable material.

Also keep the area near the DPF muffler clean and away from flammable material.

1AGAIJNAP149A

(3) Part No. TC630-4965-1

▲ DANGER

TO AVOID POSSIBLE INJURY OR DEATH FROM A MACHINE RUNAWAY.

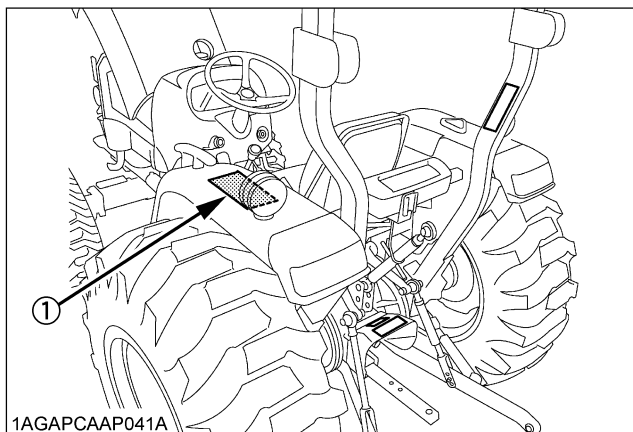
1. Do not start engine by shorting across starter terminals or bypassing the safety start switch. Machine may start in gear and move if normal starting circuitry is bypassed.
2. Start engine only from operator's seat with transmission and PTO OFF. Never start engine while standing on the ground.

1AGAMAAAP2450

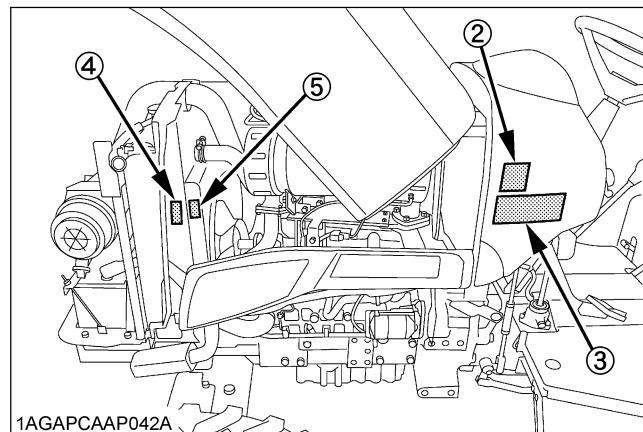
(5) Part No. TC630-4958-1
Do not touch hot surface like muffler, etc.



1AGAMAAAP2400

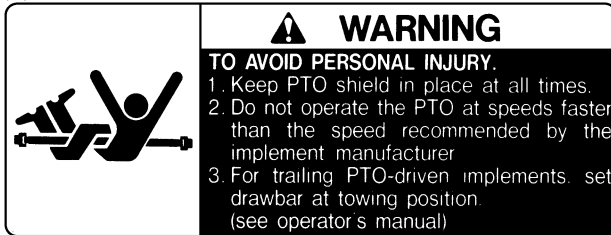


1AGAPCAAP041A



1AGAPCAAP042A

(1) Part No. TC630-4959-1



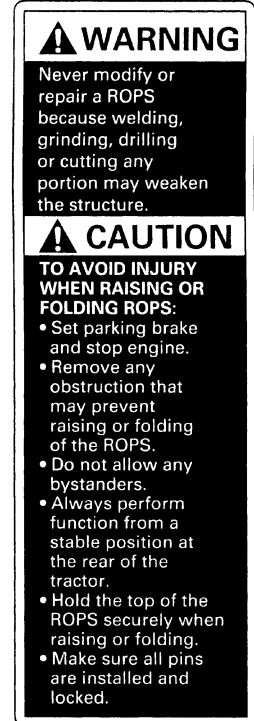
1AGAMAAAP2470

(2) Part No. TC630-4935-1



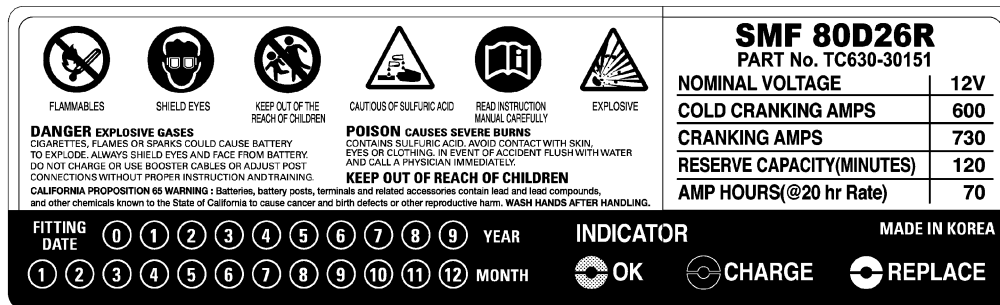
1AGAMAAAP2500

(3) Part No. TC630-9554-1

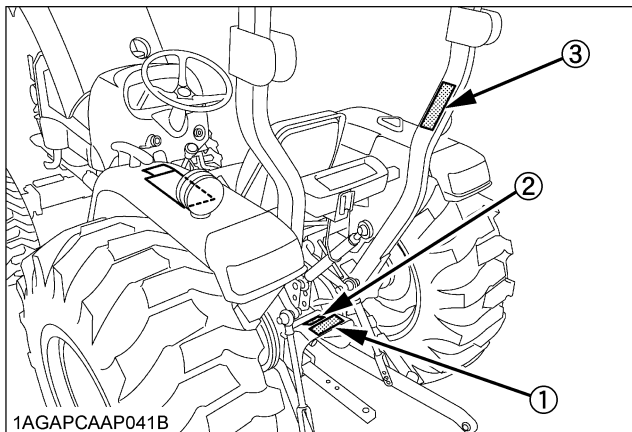


1AGAMAAAP2380

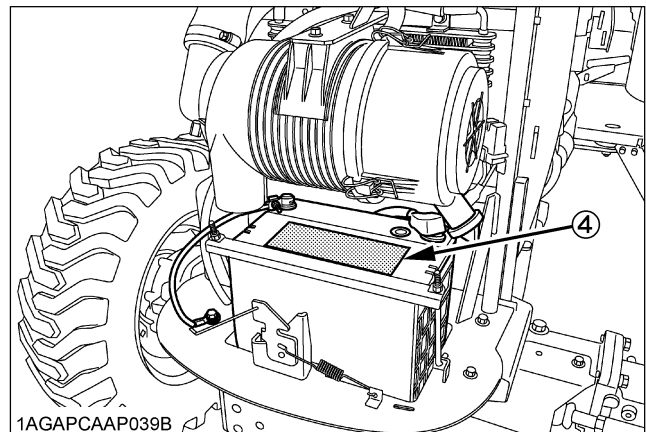
(4) Part No. TC630-3015-1



1AGAHAKAP050E



1AGAPCAAP041B



1AGAPCAAP039B

8. CARE OF DANGER, WARNING AND CAUTION LABELS

1. Keep danger, warning and caution labels clean and free from obstructing material.
2. Clean danger, warning and caution labels with soap and water, dry with a soft cloth.
3. Replace damaged or missing danger, warning and caution labels with new labels from your local KUBOTA Dealer.
4. If a component with danger, warning and caution label(s) affixed is replaced with new part, make sure new label(s) is (are) attached in the same location(s) as the replaced component.
5. Mount new danger, warning and caution labels by applying on a clean dry surface and pressing any bubbles to outside edge.

SERVICING OF TRACTOR

Your dealer is interested in your new tractor and has the desire to help you get the most value from it. After reading this manual thoroughly, you will find that you can do some of the regular maintenance yourself.

However, when in need of parts or major service, be sure to see your KUBOTA Dealer.

For service, contact the KUBOTA Dealership from which you purchased your tractor or your local KUBOTA Dealer.

When in need of parts, be prepared to give your dealer the tractor, CAB/ROPS and engine serial numbers.

Locate the serial numbers now and record them in the space provided.

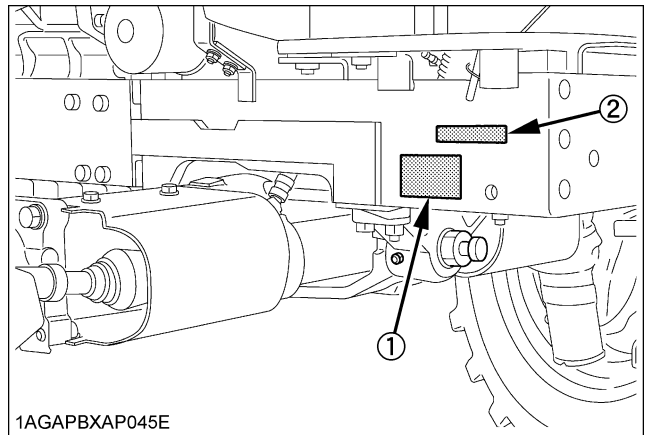
| | Type | Serial No. |
|--------------------------------|------|------------|
| Tractor | | |
| CAB / ROPS | | |
| Engine | | |
| Date of Purchase | | |
| Name of Dealer | | |
| (To be filled in by purchaser) | | |

◆ **Warranty**

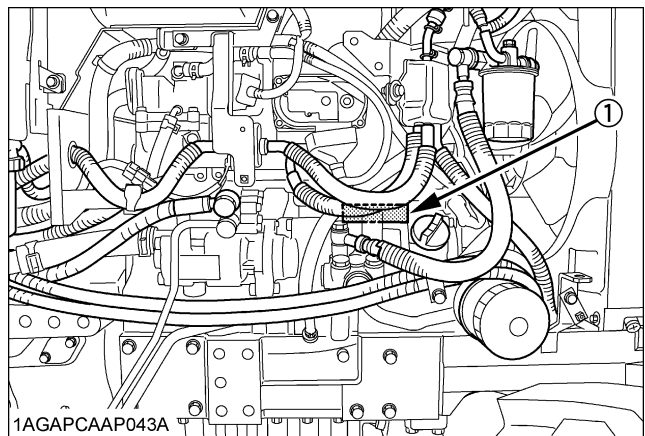
This tractor is warranted under the KUBOTA Limited Express Warranty, a copy of which may be obtained from your selling dealer. No warranty shall, however, apply if the tractor has not been handled according to the instruction given in the Operator's Manual even it is within the warranty period.

◆ **Scrapping the tractor and its procedure**

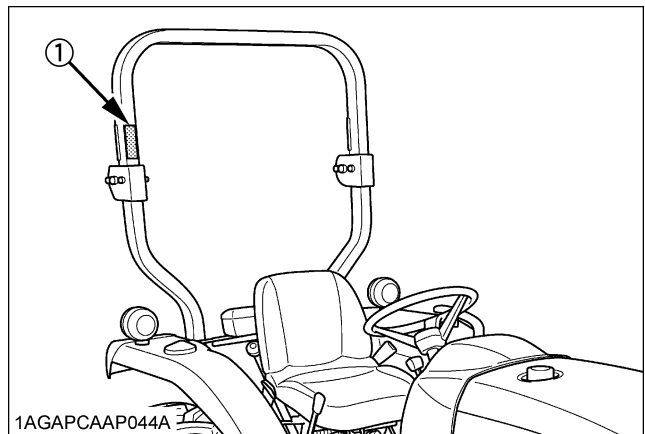
To put the tractor out of service, correctly follow the local rules and regulations of the country or territory where you scrap it. If you have questions, consult your local KUBOTA Dealer.



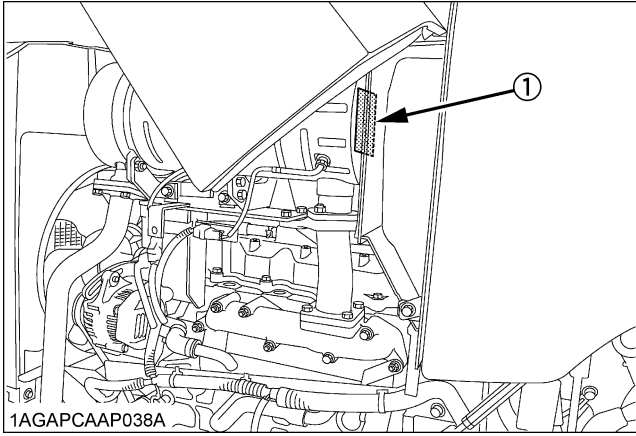
(1) Tractor identification plate
(2) Tractor serial number



(1) Engine serial number



(1) ROPS identification plate (ROPS Serial No.)



(1) Diesel particulate Filter (DPF) serial number

SPECIFICATIONS

SPECIFICATION TABLE

| Model | | | L4701 | | | |
|--------------------|----------------------------------|---------------|---|---|---|--|
| | | | Manual Transmission | | HST | |
| | | | 2WD | 4WD | | |
| Engine | Model | | V2403-CR-E4 | | | |
| | Type | | Direct injection, Vertical, Water-Cooled 4 cycle diesel | | | |
| | Number of cylinders | | 4 | | | |
| | Total displacement | L (cu.in.) | 2.434 (148.5) | | | |
| | Bore and stroke | mm (in.) | 87 x 102.4 (3.4 x 4.0) | | | |
| | Rated revolution | rpm | 2600 | | | |
| | Low idling revolution | rpm | 800 | | | |
| | Net power* | kW (HP) / rpm | 33.4 (44.8) / 2600 | | | |
| | PTO power* (factory observed) | kW (HP) / rpm | 29.3 (39.3) / 2600 | 28.2 (37.8) / 2600 | | |
| | Maximum torque : Gross | N-m (ft-lbs.) | 146.2 (107.8) | | | |
| | Battery capacity | | 12V, RC : 120min, CCA : 600A | | | |
| Capacities | Fuel tank | L (U.S.gals.) | 51 (13.5) | | | |
| | Engine crankcase (with filter) | L (U.S.qts.) | 8.2 (8.7) | | | |
| | Engine coolant | L (U.S.qts.) | 6.5 (6.9) | | | |
| | Transmission case | L (U.S.gals.) | 40 (10.6) | | | |
| Dimensions | Overall length (without 3p) | | mm (in.) | 3120 (122.8) | 3035 (119.5) | |
| | Overall width (min. tread) | | mm (in.) | 1585 (62.4) | | |
| | Overall height (with ROPS) | | mm (in.) | 2330 (91.7) | | |
| | Wheel base | | mm (in.) | 1850 (72.8) | 1845 (72.6) | |
| | Min. ground clearance | | mm (in.) | 385 (15.2) | | |
| | Tread | Front | mm (in.) | 1280 (50.4), 1380 (54.3), 1480 (58.3), 1580 (62.2) | 1155 (45.5) | |
| Rear | | mm (in.) | 1180 (46.5), 1200 (47.2), 1300 (51.2), 1450 (57.1), 1545 (60.8) | | | |
| Weight (with ROPS) | | kg (lbs.) | 1460 (3219) | 1495 (3296) | 1500 (3307) | |
| Traveling system | Standard tire size | Front | 7.5L - 15 | | 8.3 - 16 | |
| | | Rear | 14.9 - 24 | | | |
| | Clutch | | Dry type single stage | | --- | |
| | Steering | | Hydrostatic power steering | | | |
| | Transmission | | Gear shift, 8 forward and 8 reverse | | Hydrostatic transmission 3 range speed | |
| | Braking system | | Mechanical, Wet disk type | | | |
| | Min. turning radius (with brake) | | m (feet) | 2.7 (8.9) | 2.6 (8.5) | |

4 SPECIFICATIONS







| Model | | | L4701 | | |
|-----------------|--------------------------|------------------------------------|----------------------|-------------|--|
| | | | Manual Transmission | HST | |
| | | | 2WD | 4WD | |
| Hydraulic unit | Hydraulic control system | | Position control | | |
| | Pump capacity | L (U.S.gals.) / min | 29.4 (7.8) | | |
| | 3-point hitch | | Category 1 | | |
| | Max. lift force | At lift points | kg (lbs.) | 1300 (2870) | |
| | | 24 in. behind lift points | kg (lbs.) | 1053 (2320) | |
| System pressure | | MPa (kgf / cm ²) [psi] | 17.7 (180) [2560] | | |
| PTO | Rear PTO | | SAE 1-3/8, 6-splines | | |
| | PTO / Engine speed | rpm | 540 / 2475 | 540 / 2640 | |

NOTE: *Manufacturer's estimate The company reserves the right to change the specifications without notice.

TRAVELING SPEEDS

[Manual Transmission Type]


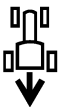
(At rated engine rpm)

| Model | | | L4701 | |
|---|---|-----------------------|---------|------|
| Tire size (Rear) | | | 14.9-24 | |
| | Range gear shift lever | Main gear shift lever | km/h | mph |
| Forward  | Low  | 1 | 2.2 | 1.4 |
| | | 2 | 2.8 | 1.7 |
| | | 3 | 4.6 | 2.8 |
| | | 4 | 6.7 | 4.2 |
| | High  | 1 | 8.0 | 5.0 |
| | | 2 | 10.0 | 6.2 |
| | | 3 | 16.3 | 10.1 |
| | | 4 | 24.0 | 14.9 |
| Reverse  | Low  | 1 | 2.1 | 1.3 |
| | | 2 | 2.7 | 1.7 |
| | | 3 | 4.4 | 2.7 |
| | | 4 | 6.4 | 4.0 |
| | High  | 1 | 7.7 | 4.8 |
| | | 2 | 9.6 | 6.0 |
| | | 3 | 15.6 | 9.7 |
| | | 4 | 23.0 | 14.3 |

The company reserves the right to change the specifications without notice

[HST Type]

(At rated engine rpm)

| Model | | L4701 | |
|--|-------------------|---------|------|
| Tire size (Rear) | | 14.9-24 | |
| | Range shift lever | km/h | mph |
| Forward  | L | 5.9 | 3.7 |
| | M | 12.2 | 7.6 |
| | H | 25.4 | 15.8 |
| Reverse  | L | 5.3 | 3.3 |
| | M | 11.0 | 6.8 |
| | H | 22.9 | 14.2 |

The company reserves the right to change the specifications without notice

IMPLEMENT LIMITATIONS

The KUBOTA Tractor has been thoroughly tested for proper performance with implements sold or approved by KUBOTA. Use with implements which are not sold or approved by KUBOTA and which exceed the maximum specifications listed below, or which are otherwise unfit for use with the KUBOTA Tractor may result in malfunctions or failures of the tractor, damage to other property and injury to the operator or others. [Any malfunctions or failures of the tractor resulting from use with improper implements are not covered by the warranty.]

| | Tread (max. width) with farm tires | | | Lower link end max. lifting capacity W 0 |
|-------|------------------------------------|--------------------|--------------------|--|
| | Front | | Rear | |
| | 2WD | 4WD | | |
| L4701 | 1580 mm (62.2 in.) | 1155 mm (45.5 in.) | 1545 mm (60.8 in.) | 1300 kg (2870 lbs.) |

| | Actual figures | | |
|-------|---|-----------------------|--|
| | Implement weight W 1 and/or size | Max. Drawbar Load W 2 | Trailer loading weight W 3 Max. capacity |
| L4701 | As in the following list (Shown on the next page) | 650 kg (1430 lbs.) | 3000 kg (6600 lbs.) |

Lower link end max. hydraulic lifting capacityW 0
 Implement weightThe implement's weight which can be put on the lower link : W 1
 Max. drawbar loadW 2
 Trailer loading weightThe max. loading weight for trailer (without trailer's weight) : W 3

The diagrams show a tractor's lower link end. The first diagram shows an upward arrow labeled W0 representing lifting capacity. The second diagram shows a downward arrow labeled W1 representing the weight of an implement on the lower link. The third diagram shows a trailer on the lower link with a downward arrow labeled W3 representing the maximum loading weight on the trailer.

1AGAIAZAP121B

- NOTE :**
- Implement size may vary depending on soil operating conditions.
 - Strictly follow the instructions outlined in the operator's manual of the mounted or trailed machinery or trailer, and do not operate the combination tractor - machine or tractor - trailer unless all instructions have been followed.
 - Forestry Application
 Following hazards exist;
 - (a) toppling trees, primarily in case a rear-mounted tree grab-crane is mounted at the rear of the tractor;
 - (b) penetrating objects in the operator's enclosure, primarily in case a winch is mounted at the rear of the tractor.
 Optional equipments such as OPS (Operator Protective Structure), FOPS (Falling Object Protective Structure), etc. to deal with these hazards and other related hazards are not available for this tractor. Without such optional equipment use is limited to tractor specific applications like transport and stationary work.

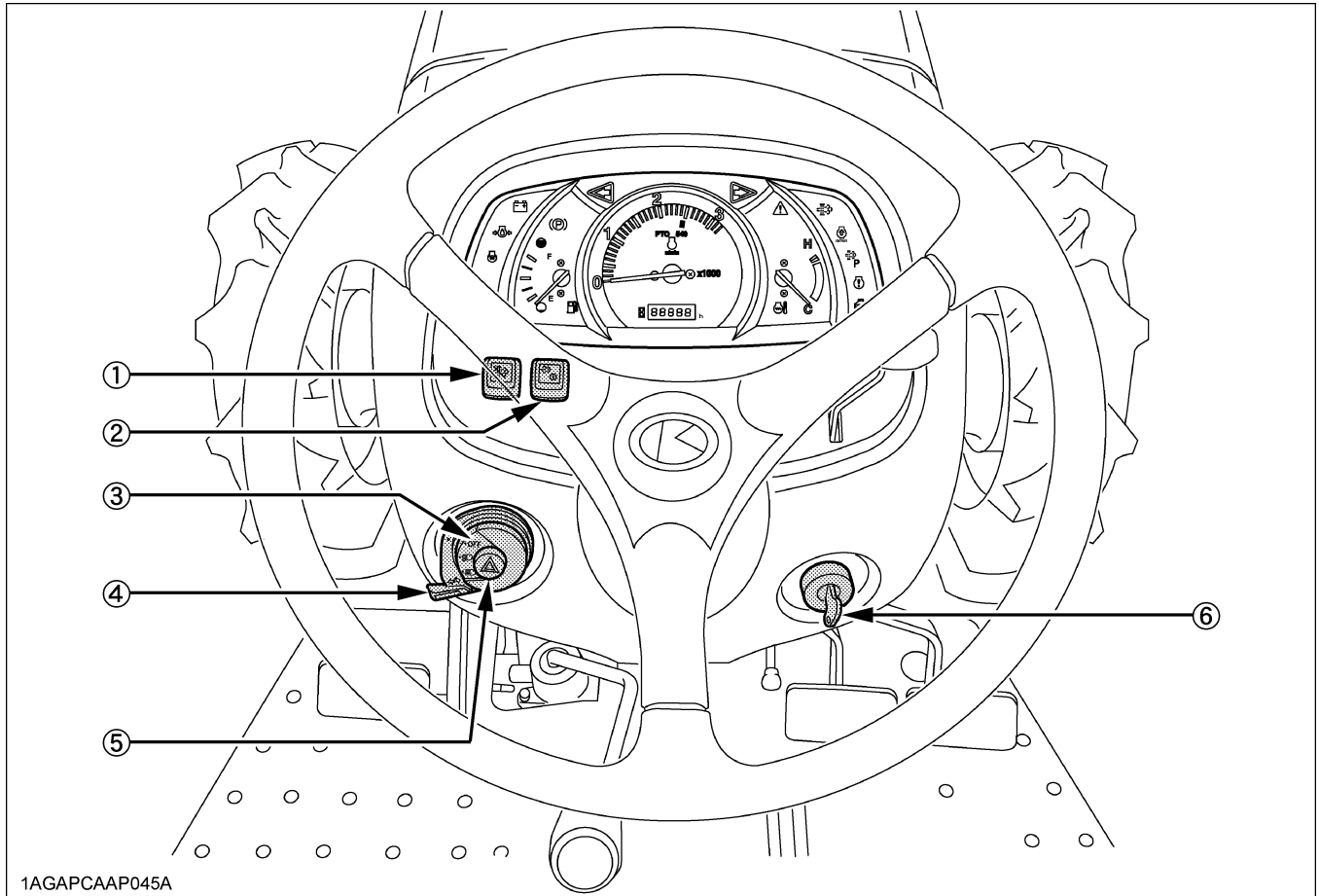
| No. | Implement | Remarks | | L4701 | |
|-----|-------------------------|----------------------|--------------------|-------------|------------|
| 1 | Trailer | Max. load capacity | kg (lbs.) | 3000 (6600) | |
| | | Max. drawbar load | kg (lbs.) | 650 (1430) | |
| 2 | Mower | Mid-mount | Max. cutting width | mm (in.) | --- |
| | | | Max. weight | kg (lbs.) | --- |
| | | Rotary-Cutter | Max. cutting width | mm (in.) | 1829 (72) |
| | | | Max. weight | kg (lbs.) | 400 (880) |
| | | Flail Mower | Max. cutting width | mm (in.) | 1524 (60) |
| | | | Max. weight | kg (lbs.) | 400 (880) |
| | | Sickle Bar | Max. cutting width | mm (in.) | 2133 (84) |
| | | | Max. weight | kg (lbs.) | 500 (1100) |
| 3 | Sprayer | Rear mounted | Max. tank capacity | L (gals.) | 400 (106) |
| | | Pull type | Max. tank capacity | L (gals.) | 1200 (317) |
| 4 | Rotary Tiller | Max. tilling width | mm (in.) | 1520 (60) | |
| 5 | Bottom Plow | Max. size | | 14 in. x 2 | |
| 6 | Disk harrow : Pull type | Max. harrowing width | mm (in.) | 1981 (78) | |
| | | Max. weight | kg (lbs.) | 400 (880) | |
| 7 | Chisel Plow | Max. width | mm (in.) | 1829 (72) | |
| | | Max. weight | kg (lbs.) | 350 (770) | |
| 8 | Broad Caster | Max. tank capacity | L (gals.) | 300 (80) | |
| | | Max. weight | kg (lbs.) | 100 (220) | |
| 9 | Manure Spreader | Max. capacity | kg (lbs.) | 2000 (4400) | |
| 10 | Cultivator | Max. width | mm (in.) | 2134 (84) | |
| | | Number of rows | | 2 | |
| | | Max. weight | kg (lbs.) | 400 (880) | |
| 11 | Front Blade | Max. cutting width | mm (in.) | 1829 (72) | |
| | | Max. oil pressure | MPa (psi) | 17.2 (2490) | |
| | | Sub frame | | Necessary | |
| 12 | Rear Blade | Max. cutting width | mm (in.) | 1829 (72) | |
| | | Max. oil pressure | MPa (psi) | 17.2 (2490) | |
| 13 | Front-end Loader | Max lifting capacity | kg (lbs.) | 700 (1545) | |
| | | Max. oil pressure | MPa (psi) | 18.0 (2560) | |
| | | Sub frame | | Necessary | |
| 14 | Box Blade | Max. cutting width | mm (in.) | 1651 (65) | |
| | | Max. weight | kg (lbs.) | 420 (925) | |
| 15 | Back Hoe | Max. digging depth | mm (in.) | 2288 (90) | |
| | | Max. weight | kg (lbs.) | 450 (990) | |
| | | Sub frame | | Necessary | |
| 16 | Snow Blade | Max. width | mm (in.) | 1829 (72) | |
| | | Max. weight | kg (lbs.) | 350 (770) | |
| 17 | Snow Blower | Max. working width | mm (in.) | 1676 (66) | |
| | | Max. weight | kg (lbs.) | 280 (620) | |

NOTE :

- Implement size may vary depending on soil operating conditions.

INSTRUMENT PANEL AND CONTROLS

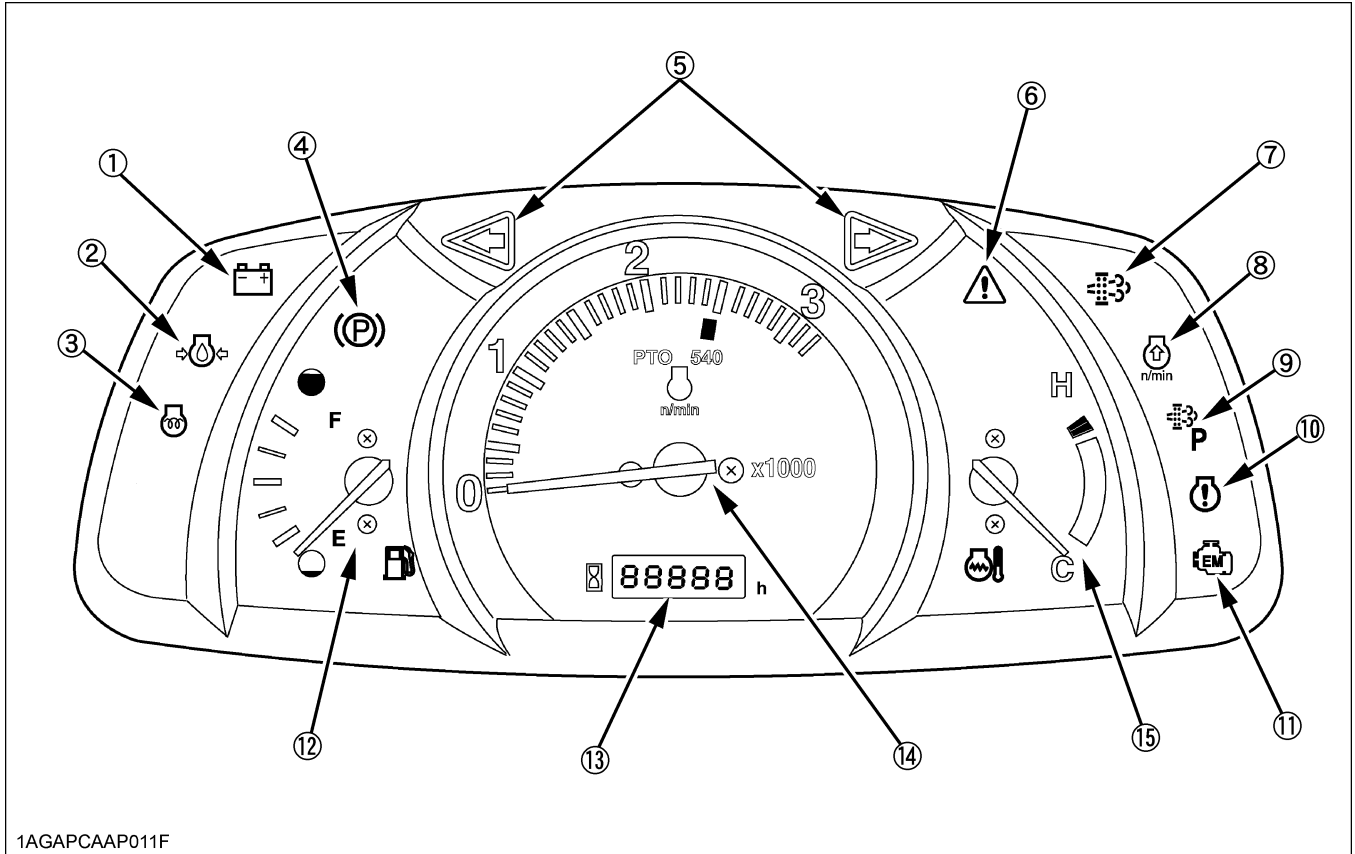
■ Instrument Panel, Switches and Hand Controls



1AGAPCAAP045A

ILLUSTRATED CONTENTS

| | |
|-------------------------------------|----|
| (1) DPF INHIBIT switch..... | 13 |
| (2) Parked regeneration switch..... | 13 |
| (3) Head light switch..... | 30 |
| (4) Turn signal switch..... | 30 |
| (5) Hazard light switch..... | 30 |
| (6) Key switch..... | 20 |



1AGAPCAAP011F

ILLUSTRATED CONTENTS

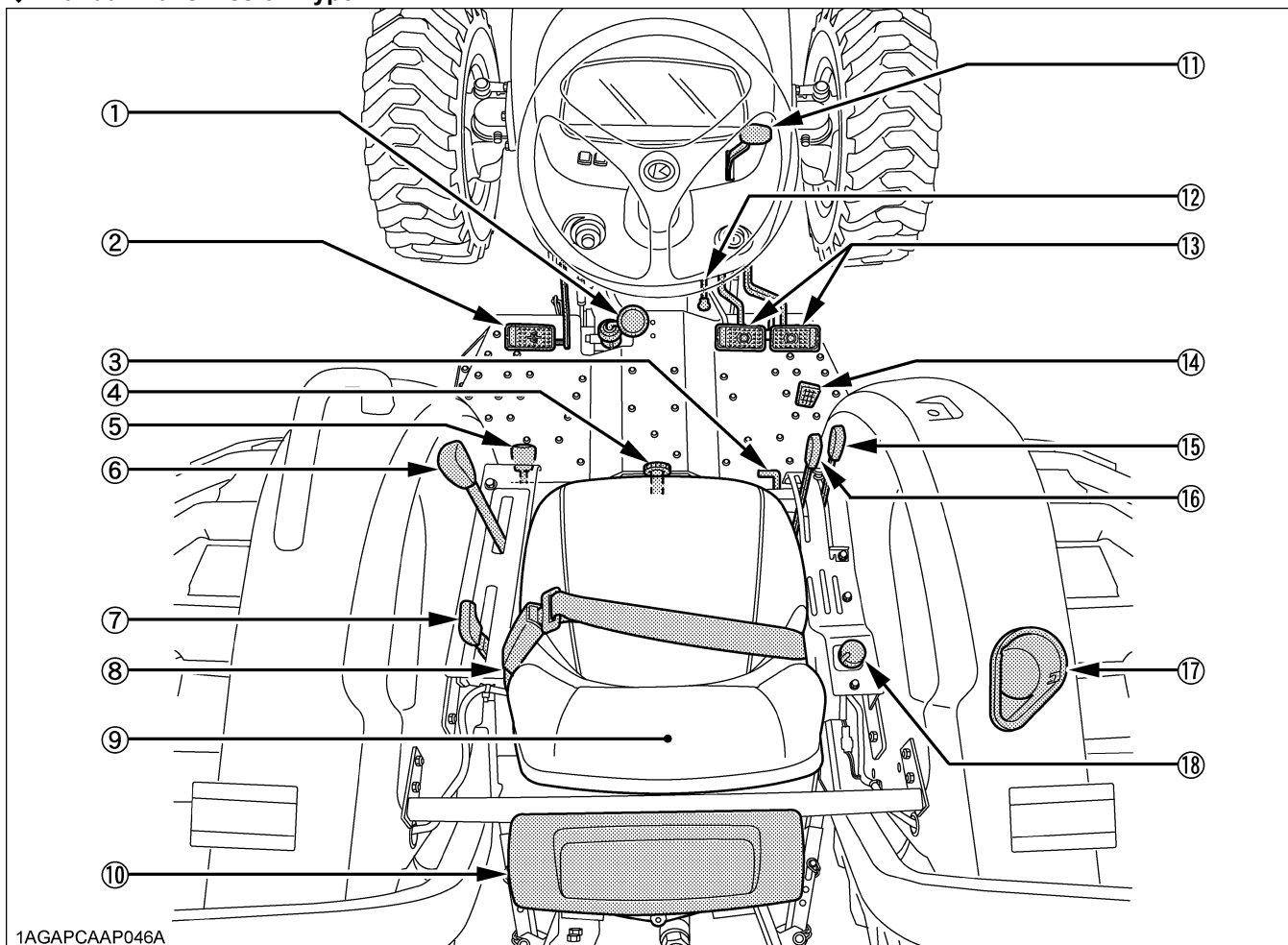
| | |
|---|----|
| (1) Electrical charge warning indicator | 40 |
| (2) Engine oil pressure warning indicator | 40 |
| (3) Glow plug indicator | 24 |
| (4) Parking brake warning indicator | 20 |
| (5) Turn signal / hazard indicator | 30 |
| (6) Master system warning indicator | 40 |
| (7) Regeneration indicator | 13 |
| (8) Engine RPM increase indicator | 13 |

ILLUSTRATED CONTENTS

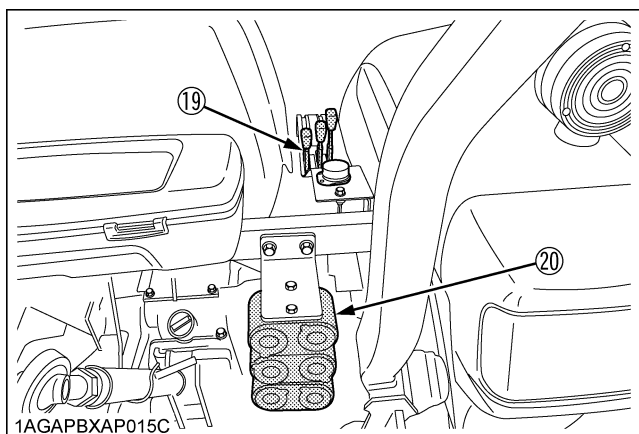
| | |
|---|----|
| (9) Parked regeneration indicator | 13 |
| (10) Engine warning indicator | 40 |
| (11) Emission indicator | 40 |
| (12) Fuel gauge | 41 |
| (13) Hourmeter | 41 |
| (14) Tachometer | 41 |
| (15) Coolant temperature gauge | 41 |

■ **Foot and Hand Controls**

◆ **Manual Transmission Type**



1AGAPCAAP046A

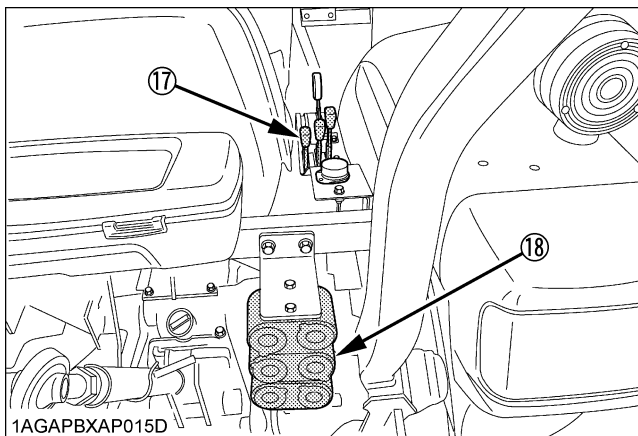
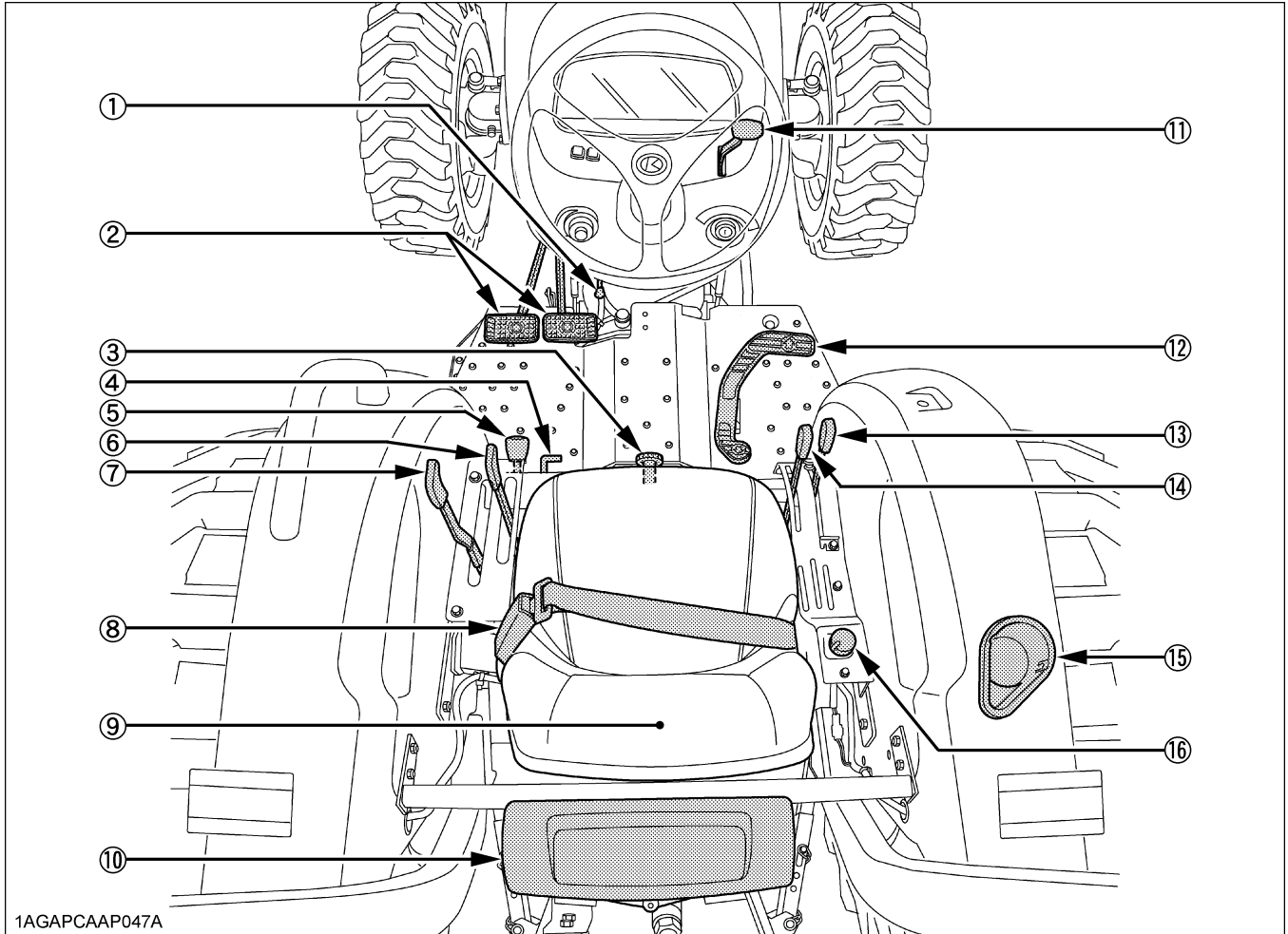


1AGAPBXAP015C

ILLUSTRATED CONTENTS

| | | |
|------|---|----|
| (1) | Main gear shift lever..... | 33 |
| (2) | Clutch pedal..... | 32 |
| (3) | Differential lock pedal..... | 43 |
| (4) | 3-Point hitch lowering speed knob..... | 52 |
| (5) | Front wheel drive lever (4WD Type)..... | 34 |
| (6) | Synchro-shuttle shift lever..... | 33 |
| (7) | Range gear shift lever..... | 33 |
| (8) | Seat belt..... | 30 |
| (9) | Operator's seat..... | 29 |
| (10) | Tool box..... | - |
| (11) | Hand throttle lever..... | 34 |
| (12) | Parking brake lever..... | 42 |
| (13) | Brake pedal..... | 31 |
| (14) | Foot throttle..... | 34 |
| (15) | Position control lever..... | 51 |
| (16) | Draft control lever (If equipped)..... | 51 |
| (17) | Cup holder..... | - |
| (18) | PTO clutch control switch..... | 45 |
| (19) | Remote control valve lever (if equipped)..... | 53 |
| (20) | Remote control valve coupler (if equipped)..... | 54 |

◆ HST Type



ILLUSTRATED CONTENTS

| | | |
|------|---|----|
| (1) | <i>Parking brake lever</i> | 42 |
| (2) | <i>Brake pedal</i> | 31 |
| (3) | <i>3-Point hitch lowering speed knob</i> | 52 |
| (4) | <i>Differential lock pedal</i> | 43 |
| (5) | <i>Front wheel drive lever</i> | 37 |
| (6) | <i>Range gear shift lever</i> | 36 |
| (7) | <i>Cruise control lever</i> | 38 |
| (8) | <i>Seat belt</i> | 30 |
| (9) | <i>Operator's seat</i> | 29 |
| (10) | <i>Tool box</i> | - |
| (11) | <i>Hand throttle lever</i> | 37 |
| (12) | <i>Speed control pedal</i> | 38 |
| (13) | <i>Position control lever</i> | 51 |
| (14) | <i>Draft control lever (If equipped)</i> | 51 |
| (15) | <i>Cup holder</i> | - |
| (16) | <i>PTO clutch control switch</i> | 45 |
| (17) | <i>Remote control valve lever (if equipped)</i> | 53 |
| (18) | <i>Remote control valve coupler (if equipped)</i> | 54 |

PRE-OPERATION CHECK

DAILY CHECK

To prevent trouble from occurring, it is important to know the condition of the tractor well. Check it before starting.



CAUTION

To avoid personal injury:

- **Be sure to check and service the tractor on a level surface with the engine shut off and the parking brake "ON" and implement lowered to the ground.**

Check item

- Walk around inspection
- Check engine oil level
- Check transmission oil level
- Check coolant level
- Check water separator
- Clean grill and radiator screen
- Clean fuel cooler
- Clean oil cooler [HST model]
- Check DPF muffler
- Check air cleaner evacuator valve
(When used in a dusty place)
- Check brake pedal [HST model]
- Check brake and clutch pedal
[Manual Transmission model]
- Check indicators, gauges and meter
- Check lights
- Check wire harness
- Check seat belt and ROPS
- Check movable parts
- Refuel
(See "DAILY CHECK" in "PERIODIC SERVICE" section.)
- Care of danger, warning and caution labels
(See "DANGER, WARNING AND CAUTION LABELS" in "SAFE OPERATION" section.)

OPERATING THE ENGINE



CAUTION

To avoid personal injury:

- Read "Safe Operation" in the front of this manual.
- Read the danger, warning and caution labels located on the tractor.
- To avoid the danger of exhaust fume poisoning, do not operate the engine in a closed building without proper ventilation.
- Never start engine while standing on ground. Start engine only from operator's seat.
- Make it a rule to set all shift levers to the "NEUTRAL" positions and to place PTO clutch control switch in "OFF" position before starting the engine.

IMPORTANT :

- Do not use starting fluid or ether.
- To protect the battery and the starter, make sure that the starter is not continuously turned for more than 10 seconds.

EXHAUST AFTERTREATMENT DEVICES



CAUTION

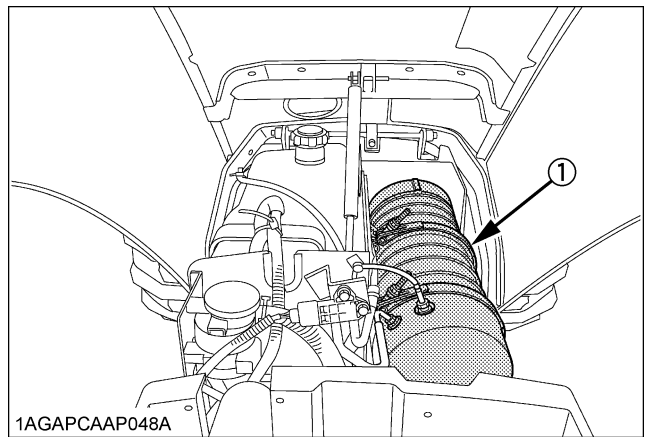
To avoid personal injury:

- During Diesel Particulate Filter (DPF) regenerating operations, exhaust gases and exhaust filter components reach temperatures hot enough to burn people, or ignite or melt common materials.
- Keep tractor away from people, animals or structures which may be susceptible to harm or damage from hot exhaust gases.
- During regeneration, white exhaust gases may be visible. Do not allow regeneration in a non ventilated garage or confined area.
- During regeneration, do not leave the tractor.

■ Diesel Particulate Filter (DPF) Muffler

This tractor is equipped with an engine with a DPF (Diesel Particulate Filter) muffler which serves to reduce hydrocarbons, carbon monoxide and other toxic gases, all of which are contained in diesel engine emissions, to harmless carbon dioxide and water. The DPF also traps PM (particulate matter).

Please handle exhaust aftertreatment devices correctly and in an environmentally responsible manner.



(1) Diesel Particulate Filter (DPF)

■ Handling Points

When a specific amount of PM (particulate matter) has accumulated in the DPF muffler, it is necessary to refresh the DPF muffler by burning the PM inside it. This burning off work is called "Regeneration".

To extend operating time to reach this regeneration, and to avoid DPF muffler trouble, make sure to observe the following handling matters.

◆ Fuel

Be sure to use Ultra Low Sulfur Fuel (S15).

IMPORTANT :

- Use of diesel fuel other than Ultra Low Sulfur Fuel may adversely affect the engine and DPF performance.
Use of fuels other than Ultra Low Sulfur Fuel (S15) may not meet regulations for your region.

◆ Engine oil

Use DPF-compatible oil (CJ-4) for the engine.

IMPORTANT :

- If any engine oil other than CJ-4 is used, the DPF may become clogged earlier than expected and the fuel economy may drop.

◆ Prohibition of unnecessary idling operation

Generally, the lower the engine speed, the lower the exhaust gas temperature is, so the PM contained in exhaust gas will not be burnt, and begins to accumulate. Therefore, don't idle unnecessarily.

◆ Regeneration

When there is "Regeneration" instruction sign by lamp or buzzer, immediately perform the required procedure for regeneration.

IMPORTANT :

- Interrupting the regeneration cycle or continued operation by ignoring the warning signs may cause DPF and engine damage.

■ DPF Regeneration Process

DPF regeneration process can be performed by choosing from "Auto Regeneration" or "Regeneration inhibit" mode according to your job conditions. For jobs not affected by hot gases emitted during regeneration, the "Auto Regeneration" is advisable.

◆ Auto Regeneration Mode;

When starting the engine (switch operation is unnecessary), the "Auto Regeneration" mode is automatically activated.

With the auto regeneration mode on, when a specific amount of PM has accumulated, and the regeneration conditions are satisfied (See the "Tips on Diesel Particulate Filter [DPF] Regeneration"), the DPF will be automatically regenerated whether the tractor is in motion or parked.

By this way, work efficiency is improved. For details of auto regeneration, refer to "Operating Procedure for Auto Regeneration Mode" section.

◆ Regeneration Inhibit Mode;

After starting the engine, if the "DPF INHIBIT switch" is pressed to turn on the switch lamp, the "Regeneration inhibit" mode will be activated.

With "Regeneration Inhibit" mode on, the PM which has accumulated inside the DPF will not be burnt, unless the operator performs the regeneration work manually.

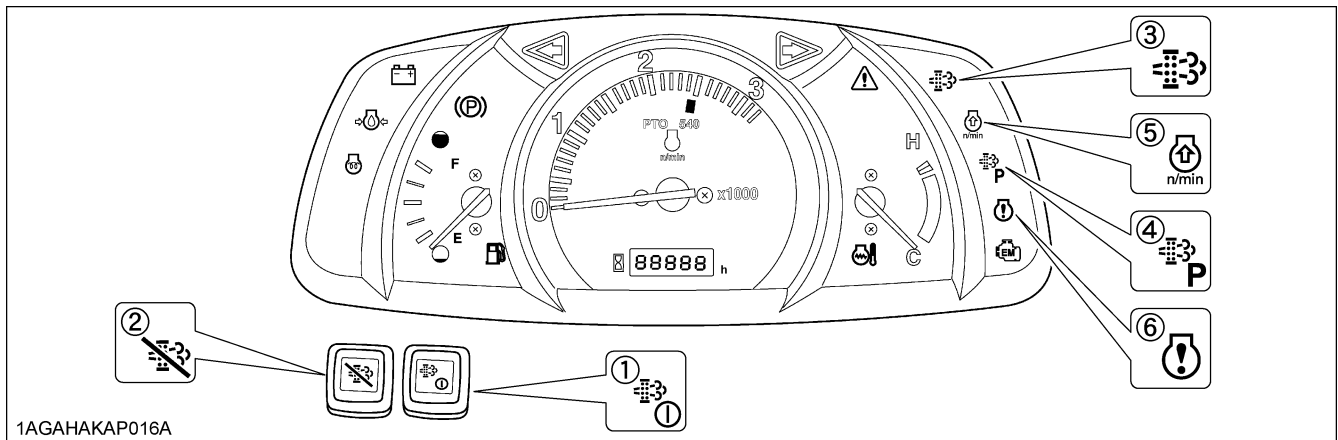
The "Regeneration Inhibit" mode is effective for work in poorly ventilated work spaces.

For details of regeneration prohibition, refer to "Operating Procedure for Regeneration Inhibit Mode" section.

NOTE :

- If stop the engine once, the "Auto Regeneration" mode will be activated.

Operating Procedure for Auto Regeneration Mode



(1) Parked regeneration switch
(2) DPF INHIBIT switch

(3) Regeneration indicator
(4) Parked regeneration indicator

(5) Engine RPM increase indicator
(6) Engine warning indicator

■ Regeneration Operating Procedure


1. Start the engine.
(Make sure that the DPF INHIBIT switch lamp  is "OFF".)

Switch lamp OFF: Auto Regeneration Mode activated.

Switch lamp ON: Regeneration Inhibit Mode activated.


NOTE :

- When the engine is started, the "Auto Regeneration" mode is automatically activated.
- "Regeneration Inhibit" mode is activated, when the DPF INHIBIT switch is pushed after the engine is started.

2. When the regeneration indicator  starts flashing:

A specific amount of PM has built up in the DPF.

Continue to operate the tractor, and the regeneration process will begin automatically, make sure the working place is in a safe area as DPF and exhaust temperature will rise.

3. When the engine rpm increase indicator  starts flashing:

Keep on working and increase the engine rpm until the indicator turns "OFF".

NOTE :



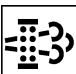
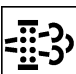





- Even if the Auto Regeneration Mode is selected, DPF regeneration may not begin because system requirements have not been satisfied.
- The engine rpm increase indicator is used as a guide to satisfy the regeneration conditions. If the engine load is too heavy, the engine rpm increase indicator may continue to flash, even though regeneration system conditions are satisfied and regeneration may begin automatically. (See the "Tips on Diesel Particulate Filter [DPF] Regeneration")

■ PM Warning Level and Required Procedures

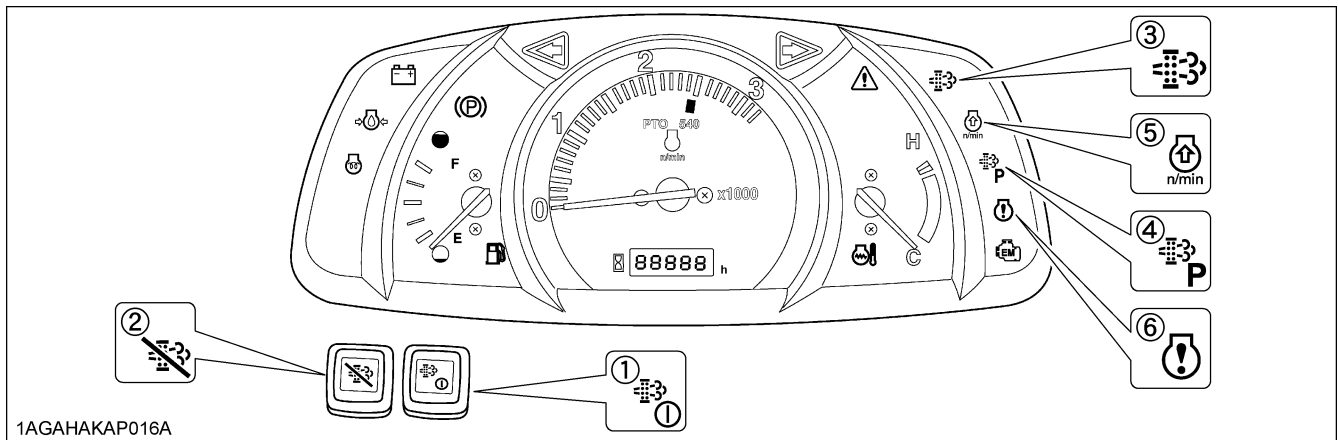
During Auto Regeneration Mode when the PM level has built up in the DPF, the regeneration cycle will begin automatically. If the regeneration cycle is interrupted or the regeneration conditions are not satisfied, the buzzer starts sounding and the indicator display changes in response to the PM level in order to prompt the operator to perform the required procedure listed below.

IMPORTANT :

- Once the regeneration level has been reached, immediately perform the required procedure for regeneration. Interrupting the regeneration cycle or continued operation by ignoring the warning signs may cause DPF and engine damage.

| Auto Mode | | |
|---|---|--|
| | DPF system status | Required procedure |
| PM warning level: 1 Buzzer: Not sounding |  The regeneration indicator starts flashing.  The RPM increase indicator starts flashing.  The regeneration indicator will stop flashing and remain "ON" constantly. | <p>A specific amount of PM has accumulated in the DPF muffler. Continue to work the tractor to raise the DPF temperature.</p> <p>Continue the work and increase the engine rpm until the indicator turns "OFF".</p> <p>The regeneration cycle begins and continues until cycle is complete then the indicator will turn "OFF".</p> |
| PM warning level: 2-1 Buzzer: Sounding every 5 seconds | <p>If the regeneration cycle was interrupted or conditions are not satisfied for regeneration then DPF system is now in Level 2.</p>  The regeneration indicator starts flashing. | <p>Start the regeneration, referring to PM warning level: 1 above. Now the parked regeneration indicator starts flashing, and the parked regeneration can also be started. If the regeneration conditions are not met, perform the parked regeneration.</p> <ul style="list-style-type: none"> For the procedure, refer to "Operating Procedure for Parked Regeneration". |
| PM warning level: 2-2 Buzzer: Sounding every 3 seconds |  The RPM increase indicator starts flashing.  The parked regeneration indicator starts flashing. | |
| PM warning level: 3 Buzzer: Sounding every 1 second Engine output: 50% | <p>If the regeneration fails in the warning level 2:</p>  The engine warning indicator starts flashing.  The parked regeneration indicator starts flashing. | <p>Immediately discontinue working the tractor and begin the parked regeneration cycle process.</p> <ul style="list-style-type: none"> For the procedure, refer to "Operating Procedure for Parked Regeneration". <p>At this PM warning level, the Auto Regeneration Mode does not function. If the tractor is operated further, the regeneration cycle will be disabled.</p> |
| PM warning level: 4 Buzzer: Sounding every 1 second Engine output: 50% | <p>If the parked regeneration is interrupted or the tractor is continuously operated in the warning level 3:</p>  The engine warning indicator remains constantly "ON". | <p>Immediately move the tractor to a safe place and park it there and turn the engine "OFF".</p> <p>Contact your local KUBOTA Dealer.</p> <ul style="list-style-type: none"> At this level, never continue to operate the tractor otherwise damage will result to the DPF and engine. |

Operating Procedure for Regeneration Inhibit Mode




- (1) Parked regeneration switch (3) Regeneration indicator (5) Engine RPM increase indicator
 (2) DPF INHIBIT switch (4) Parked regeneration indicator (6) Engine warning indicator

■ Regeneration Operating Procedure

1. Start the engine.

2. Press the DPF INHIBIT switch , and the switch lamp illuminates.

Switch lamp ON: Regeneration Inhibit Mode selected.
 Switch lamp OFF: Auto Regeneration Mode selected.

3. When the parked regeneration indicator  starts flashing:








A specific amount of PM has accumulated in the DPF muffler.
 Move the tractor to a safe place and activates the DPF muffler. Follow the "Operating Procedure for Parked Regeneration" procedure.

■ PM Warning Level and Required Procedures






In the Regeneration Inhibit Mode, the buzzer starts sounding and the indicator display changes in response to the PM level in order to prompt the operator to perform the required procedure listed below.

IMPORTANT :

- Once the regeneration level has been reached, immediately perform the required procedure for regeneration. Interrupting the regeneration cycle or continued operation by ignoring the warning signs may cause DPF and engine damage.

| Regeneration Inhibit Mode | | |
|---|--|--|
| | DPF system status | Required procedure |
| PM warning level: 1 Buzzer: Not sounding |  The regeneration indicator starts flashing. | A specific level of PM has built up in the DPF muffler. Continue with the operation as it is. |
| |  At PM warning levels range from 1 to 2-2, it is also possible to change DPF INHIBIT switch to auto regeneration mode then perform regeneration. | |
| PM warning level: 2-1 Buzzer: Sounding every 5 seconds |  The regeneration indicator starts flashing. | Move the tractor to a safe area, then follow the "Operating Procedure for Parked Regeneration". |
| PM warning level: 2-2 Buzzer: Sounding every 3 seconds |  The Parked regeneration indicator starts flashing. | |
| PM warning level: 3 Buzzer: Sounding every 1 second Engine output: 50% | If the parked regeneration cycle is interrupted or the tractor is continuously operated in the PM warning level 2: | |
| |  The engine warning indicator starts flashing.  The parked regeneration indicator starts flashing | Immediately stop working the tractor, move the tractor to a safe area, then follow the "Operating Procedure for Parked Regeneration". If the tractor is operated further and the operator ignores the warning signs, then regeneration will be disabled. |
| PM warning level: 4 Buzzer: Sounding every 1 second Engine output: 50% | If the regeneration cycle is interrupted or the tractor is continuously operated ignoring the warning signs, in the PM warning level 3: | |
| |  The engine warning indicator remains constantly "ON". | Immediately move the tractor to a safe place and place in park, turn "OFF" engine. Contact your local KUBOTA Dealer. <ul style="list-style-type: none"> At this level never continue to operate the tractor, otherwise damage may result to the DPF and engine. |

Operating Procedure for Parked Regeneration

1. Park the tractor in a safe area away from buildings, people, and animals.
2. Apply the parking brake.
3. **[HST Type]**
Set the speed control pedal to the neutral position.
[Manual Transmission Type]
Set the shuttle shift lever to the neutral position.
4. Turn "OFF" the PTO clutch control switch or lever.
5. Return the engine rpm to the idle speed.
6. Lower the implement to the ground.
Turn steering wheel so front wheels are in the straight ahead position.
7. Press the DPF INHIBIT switch , and the switch lamp turns "OFF".
8. When the regeneration conditions are satisfied (2 to 5 and 7 mentioned above),
the parked regeneration switch lamp  start flashing.
9. Press the parked regeneration switch  to start the regeneration cycle.
(The switch lamp will stop flashing and remain "ON" constantly during the cycle.)
10. The engine rpm will automatically rise, and the regeneration process will begin.
11. Both indicators   stay "ON" while regenerating the DPF.
They turn "OFF" when the cycle is complete.
12. After the lamp turns "OFF", normal tractor work may resume.
When driving in "Regeneration Inhibit" mode, press the DPF INHIBIT switch to turn on the switch lamp.

NOTE :

- During the regeneration cycle, do not touch the above levers, pedal and switches (in steps 2, 3, 4), nor change the engine rpm other than an emergency stop. Otherwise, the regeneration will be interrupted.
- Never leave the tractor when parked regeneration process is activated.
- If the parked regeneration cycle is interrupted, the engine rpm is fixed at the idling level for about 30 seconds. For this period, keep the hand throttle lever and foot throttle pedal at the idle position. Do not move them. They will function again in 30 seconds.

■ Tips on Diesel Particulate Filter (DPF) Regeneration

● Operation

The higher in speed or load the engine operates, the higher the exhaust temperature rises. As a result, particulate matter (PM) inside the DPF is consumed, therefore the regeneration process is required less frequently over time.

The lower in speed or load the engine operates, the lower the exhaust temperature. Accordingly, less particulate matter (PM) inside the DPF is consumed, therefore more accumulation of PM will occur, which requires frequent regeneration, therefore avoid prolonged idling if possible.

● Necessary conditions for "Regeneration"

When conditions below are all satisfied, regeneration will start. However, if even one condition is deviated during the process, the regeneration will be interrupted.

- (1) The engine coolant temperature.
- (2) The DPF temperature.
- (3) The engine speed is 1200 rpm or higher.

- Usually it takes 15-20 minutes to complete the regeneration cycle.

Actual regeneration time may depend on ambient temperature, exhaust temperature and engine speed.

- It is recommended to do the regenerating while the engine is warm.

- Do not unnecessarily start and interrupt the regeneration process. Otherwise, a small amount of fuel becomes mixed with the engine oil, which degrades the oil quality.

- While the DPF is being regenerated, the engine air flow rate is automatically limited to keep up the exhaust temperature. Because of this the engine may sound differently, this is normal for this engine.

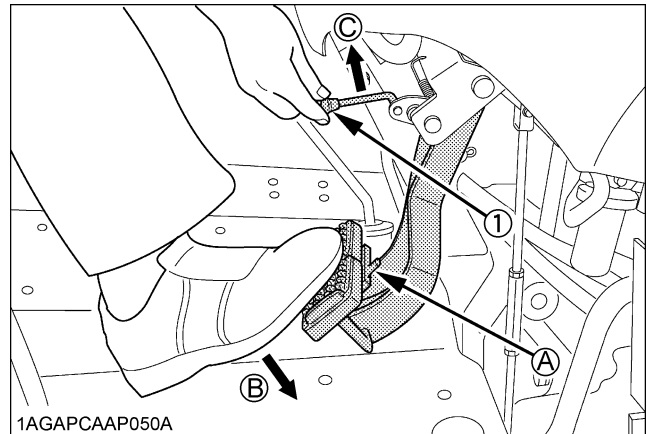
- Just after the regeneration has ended, the DPF muffler remains hot. It is advisable to keep the engine running for about 5 minutes to allow cooling of the exhaust components.

STARTING THE ENGINE

1. Make sure the parking brake is set.

1. To set the parking brake;
 - (1) Interlock the brake pedals.
 - (2) Depress the brake pedals.
 - (3) Latch the brake pedals with the parking brake lever.
2. To release the parking brake, depress the brake pedals again.

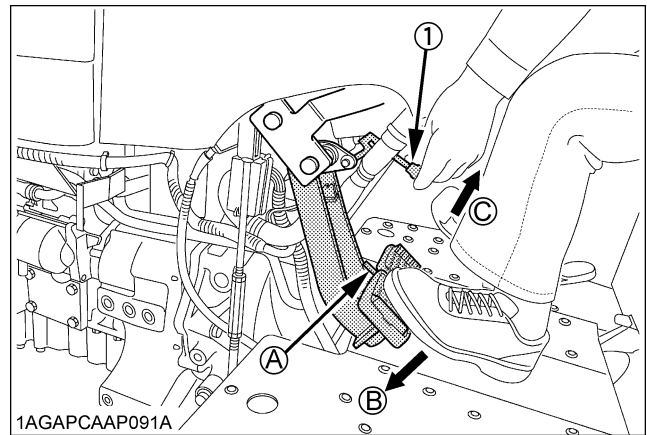
[Manual Transmission Type]



(1) Parking brake lever

(A) Interlock the brake pedals
(B) "DEPRESS"
(C) "PULL"

[HST Type]



(1) Parking brake lever

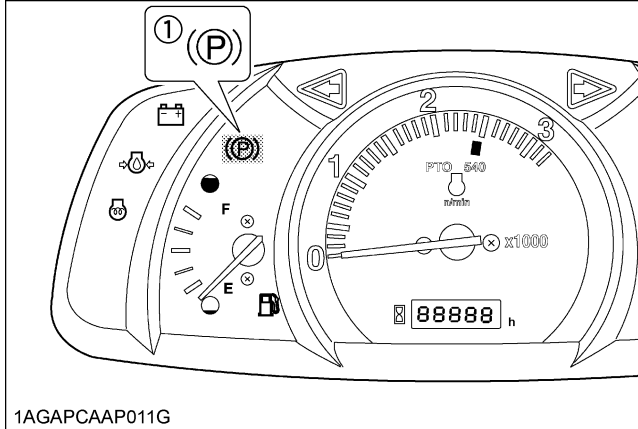
(A) Interlock the brake pedals
(B) "DEPRESS"
(C) "PULL"

IMPORTANT :

- To prevent damage to the parking brake lever, make sure that brake pedals are fully depressed before pulling the parking brake lever up.

NOTE :

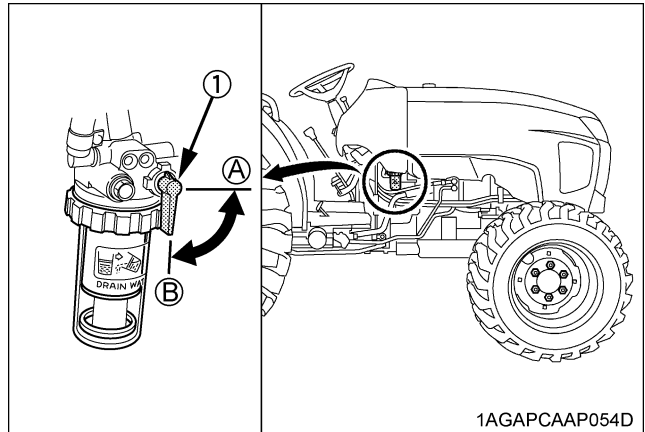
- The Parking brake indicator comes on while parking brake is applied and goes off when it is released.



1AGAPCAAP011G

(1) Parking brake indicator

2. Make sure the fuel cock is in the open position.



1AGAPCAAP054D

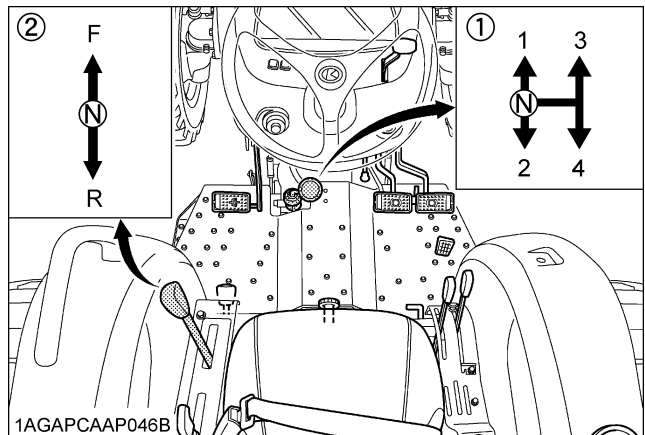
(1) Fuel cock

(A) "CLOSE"

(B) "OPEN"

3. Place the shift levers in "NEUTRAL" position.

[Manual Transmission Type]



1AGAPCAAP046B

(1) Main gear shift lever

(2) Synchro-shuttle shift lever

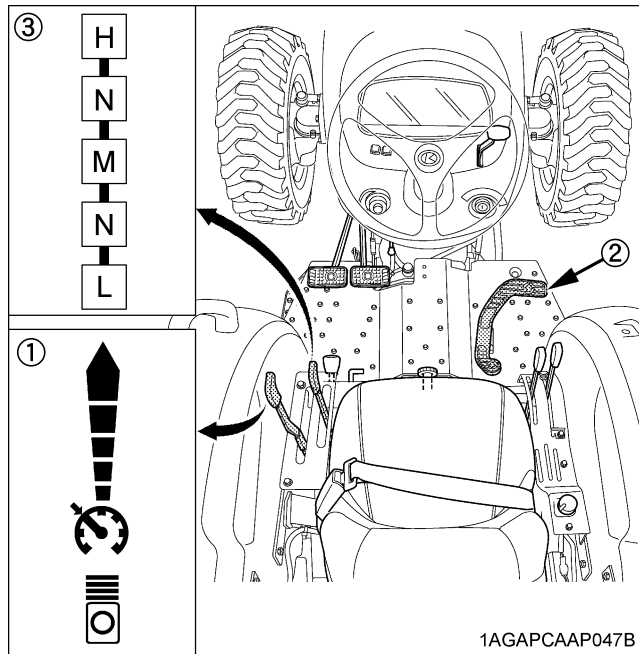
(F) "FORWARD"

(N) "NEUTRAL POSITION"

(R) "REVERSE"

3. Make sure the cruise control lever is in "NEUTRAL" position.
Place the Speed control Pedal in "NEUTRAL" position.
Place the range gear shift lever in "NEUTRAL" position.

[HST Type]



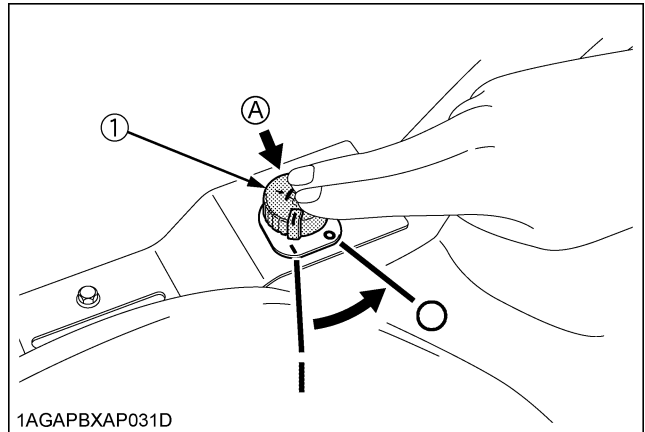
- (1) Cruise control lever
- (2) Speed control pedal
- (3) Range gear shift lever

- (N) "NEUTRAL POSITION"
- "NEUTRAL POSITION"

NOTE :

- Depress the both brake pedals together, doing so the cruise control lever automatically returns to the off position.
- When removing the foot from speed control pedal, the pedal automatically returns to the neutral position.

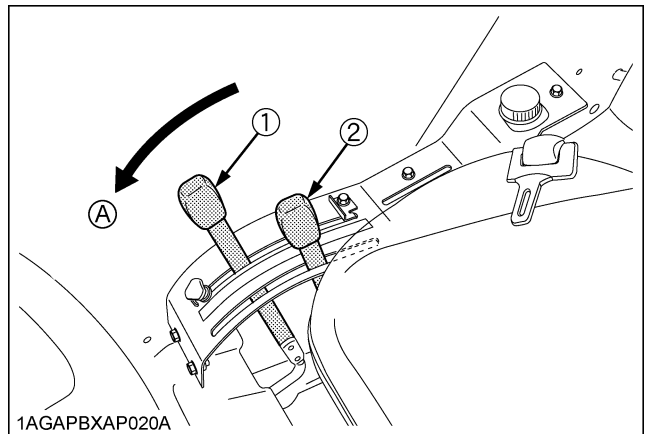
4. Place the PTO clutch control switch in "OFF" position.



- (1) PTO clutch control switch

- | "ON" (Engaged)
- "OFF" (Disengaged)
- (A) "PUSH"

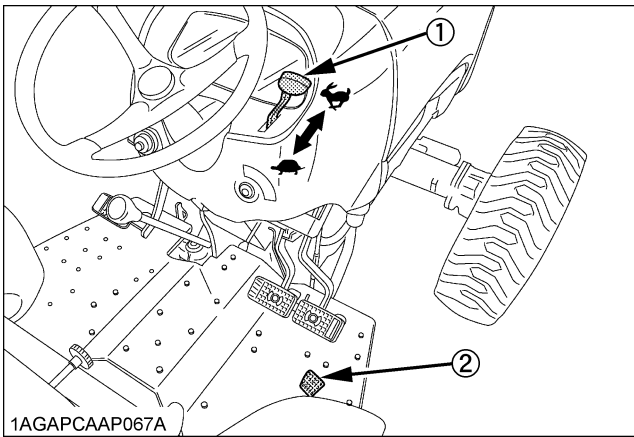
5. Place the hydraulic control levers in "LOWEST" position



- (1) Position control lever
- (2) Draft control lever (if equipped)

- (A) "DOWN"

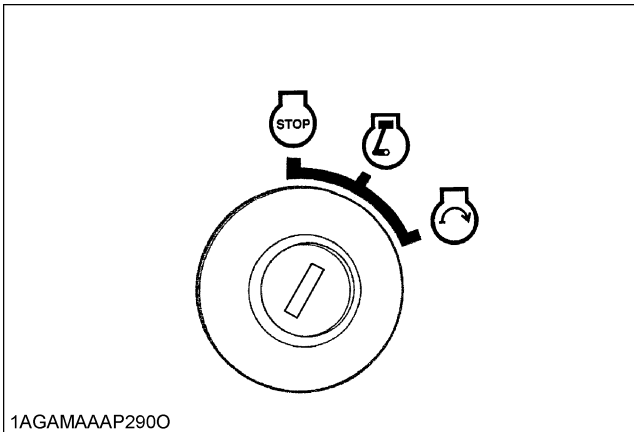
6. Set the throttle lever to about 1/2 way.



1AGAPCAAP067A

- (1) Hand throttle lever "INCREASE"
- (2) Foot throttle "DECREASE"
- [except HST Type]

7. Insert the key into the key switch and turn it "ON".

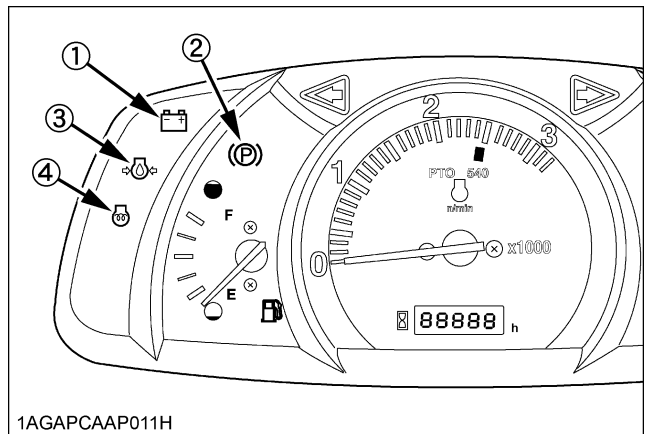


1AGAMAAAP2900

- "OFF"
- "ON"
- "START"

◆ Check Easy Checker(TM) Lamps

1. When the key is turned "ON", indicators(1)(3) should come on. If trouble should occur at any location while the engine is running, the indicator corresponding to that location comes on.
2. Suppose that the engine coolant temperature is not high enough yet. Glow plug indicator(4) also comes on when the key is turned "ON" to preheat the engine and goes off automatically when preheat is completed. Illumination time of indicator varies according to the temperature of coolant.
3. The parking brake indicator(2) comes on while parking brake is applied and goes off when it is released.



1AGAPCAAP011H

- (1) Electrical charge indicator (3) Engine oil pressure indicator
- (2) Parking brake indicator (4) Glow plug indicator

IMPORTANT :

- Daily checks with the Easy Checker(TM) only, are not sufficient. Never fail to conduct daily checks carefully by referring to Daily Check. (See "DAILY CHECK" in "PERIODIC SERVICE" section.)

NOTE :

- Some of the Easy Checker(TM) lamps may light up depending on the positions of the levers and switches.
- Turn on the key, and some of the indicators stay on about 1 second.

8. Fully depress the clutch pedal.

[Manual Transmission Type]

9. Turn the key to "START" position and release when the engine starts.

IMPORTANT:

[Manual Transmission Type]

- Because of the safety devices, the engine will not start except when the PTO clutch control switch is placed in the "OFF" position and shuttle shift lever is placed in the "NEUTRAL" position.

[HST Type]

- Because of the safety devices, the engine will not start except when the PTO clutch control switch is placed in the "OFF" position, the speed control pedal is placed in the "NEUTRAL" position.

10. Check to see that all the lamps on the Easy Checker(TM) are "OFF".

If the lamp is still on, immediately stop the engine and determine the cause.

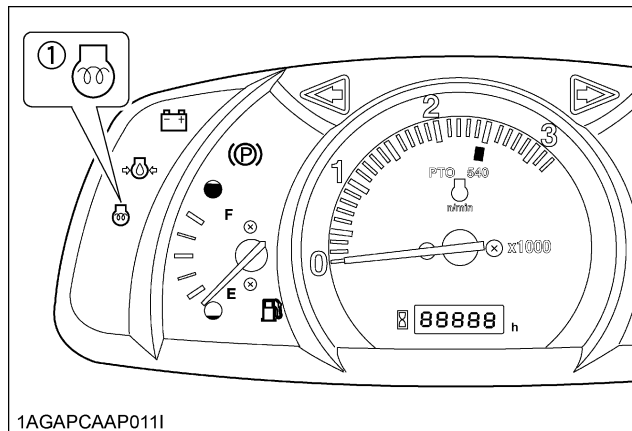
11. Release the clutch pedal.

[Manual Transmission Type]

COLD WEATHER STARTING

If the ambient temperature is below -5°C (23°F) and the engine is very cold, follow the procedure below after taking the step 1 through 8 in the previous pages.

9. Turn the key to "ON" (glow plug) and keep it there until glow plug indicator goes off.



1AGAPCAAP0111

(1) Glow plug indicator

10. Turn the key to the start position and the engine should start.

(If the engine fails to start after 10 seconds, turn off the key for 30 seconds. Then repeat steps (9) and (10). To protect the battery and the starter, make sure that the starter is not continuously turned for more than 10 seconds.)

■ Block Heater (if equipped)

A block heater is available as an option from your dealer. It will assist you in starting your tractor when the ambient temperature is below -20°C (-4°F).

STOPPING THE ENGINE

1. After slowing the engine to idle, turn the key to "OFF".
2. Remove the key.

NOTE :

- If key does not stop the engine, consult your local KUBOTA Dealer.

WARMING UP



CAUTION

To avoid personal injury:

- Be sure to set the parking brake during warm-up.
- Be sure to set all shift levers to the "NEUTRAL" positions and to place PTO clutch control switch in "OFF" position during warm-up.

For 5 minutes after engine start-up, allow engine to warm up without applying any load, this is to allow oil to reach every engine part. If load should be applied to the engine without this warm-up period, trouble such as seizure, breakage or premature wear may develop.

■ Warm-Up Transmission Oil in the Low Temperature Range

Hydraulic oil serves as transmission fluid. In cold weather, the oil may be cold with increased viscosity. This can cause delayed oil circulation or abnormally low hydraulic pressure for some time after engine start-up. This in turn can result in trouble in the hydraulic system. To prevent the above, observe the following instructions:

Warm up the engine at about 50% of rated rpm according to the table below:

| Ambient temperature | Warm-up time requirement |
|----------------------------|--------------------------|
| Higher than -10 °C (14 °F) | Approx. 5 minutes |
| -15 to -10 °C (5 to 14 °F) | 5 to 10 minutes |
| -20 to -15 °C (-4 to 5 °F) | 10 to 20 minutes |
| Below -20 °C (-4 °F) | More than 20 minutes |

IMPORTANT :

- Do not operate the tractor under full load condition until it is sufficiently warmed up.

JUMP STARTING



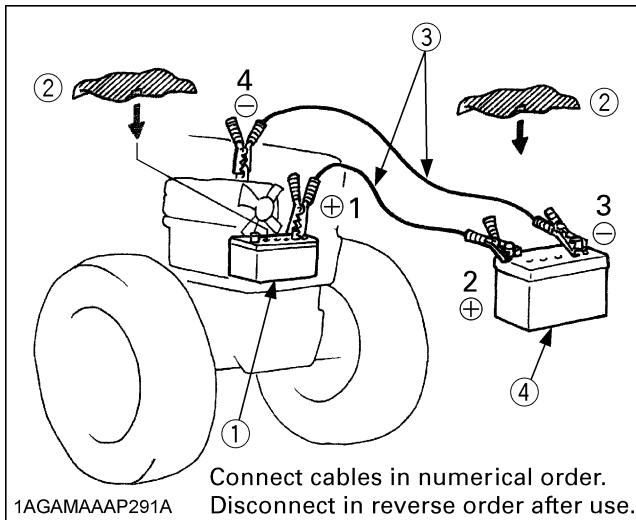
CAUTION

To avoid personal injury:

- Battery gases can explode. Keep cigarettes, sparks, and flames away from battery.
- If tractor battery is frozen, do not jump start engine.
- Do not connect other end of negative (-) jumper cable to negative (-) terminal of tractor battery.

When jump starting engine, follow the instructions below to safely start the engine.

1. Bring helper vehicle with a battery of the same voltage as disabled tractor within easy cable reach. "THE VEHICLES MUST NOT TOUCH".
2. Engage the parking brakes of both vehicles and put the shift levers in neutral. Shut both engines off.
3. Put on safety goggles and rubber gloves.
4. Ensure the vent caps are securely in place. (if equipped)
5. Cover vent holes with damp rags. Do not allow the rag to touch the battery terminals.
6. Attach the red clamp to the positive (red, (+) or pos.) terminal of the dead battery and clamp the other end of the same cable to the positive (red, (+) or pos.) terminal of the helper battery.
7. Clamp the other cable to the negative (black, (-) or neg.) terminal of the helper battery.
8. Clamp the other end to the engine block or frame of the disabled tractor as far from the dead battery as possible.
9. Start the helper vehicle and let its engine run for a few moments. Start the disabled tractor.
10. Disconnect the jumper cables in the exact reverse order of attachment. (Steps 8, 7 and 6).
11. Remove and discard the damp rags.



- (1) Dead battery
- (2) Lay a damp rag over the vent caps
- (3) Jumper cables
- (4) Helper battery

IMPORTANT :

- This machine has a 12 volt negative (-) ground starting system.
- Use only same voltage for jump starting.
- Use of a higher voltage source on tractor's electrical system could result in severe damage to tractor's electrical system.
Use only matching voltage source when "Jump starting" a low or dead battery condition.
- Do not operate the tractor with the battery cable disconnected from the battery.
- Do not operate the tractor without the battery mounted.
- Do not operate the tractor with the battery dead.
Charge the battery fully enough before operating the tractor.
Otherwise the tractor might malfunction.

OPERATING THE TRACTOR

OPERATING NEW TRACTOR

How a new tractor is handled and maintained determines the life of the tractor.

A new tractor just off the factory production line has been, of course, tested, but the various parts are not accustomed to each other, so care should be taken to operate the tractor for the first 50 hours at a slower speed and avoid excessive work or operation until the various parts become "broken-in". The manner in which the tractor is handled during the "breaking-in" period greatly affects the life of your tractor. Therefore, to obtain the maximum performance and the longest life of the tractor, it is very important to properly break-in your tractor. In handling a new tractor, the following precautions should be observed.

■ Do not Operate the Tractor at Full Speed for the First 50 Hours

- Do not start quickly nor apply the brakes suddenly.
 - In winter, operate the tractor after fully warming up the engine.
 - Do not run the engine at speeds faster than necessary.
 - On rough roads, slow down to suitable speeds.
- Do not operate the tractor at fast speed.

The above precautions are not limited only to new tractors, but to all tractors. But it should be especially observed in the case of new tractors.

■ Changing Lubricating Oil for New Tractors

The lubricating oil is especially important in the case of a new tractor. The various parts are not "broken-in" and are not accustomed to each other; small metal grit may develop during the operation of the tractor; and this may wear out or damage the parts. Therefore, care should be taken to change the lubricating oil a little earlier than would ordinarily be required.

For further details of change interval hours.
(See "MAINTENANCE" section.)

BOARDING AND LEAVING THE TRACTOR

1. Never try to get on or off a moving tractor or jump off the tractor to exit.
2. Face the tractor when getting into or out of the tractor. Do not use the controls as hand holds to prevent inadvertent machine movements.
3. Always keep steps and floor clean to avoid slippery conditions.

OPERATING FOLDABLE ROPS (if equipped)



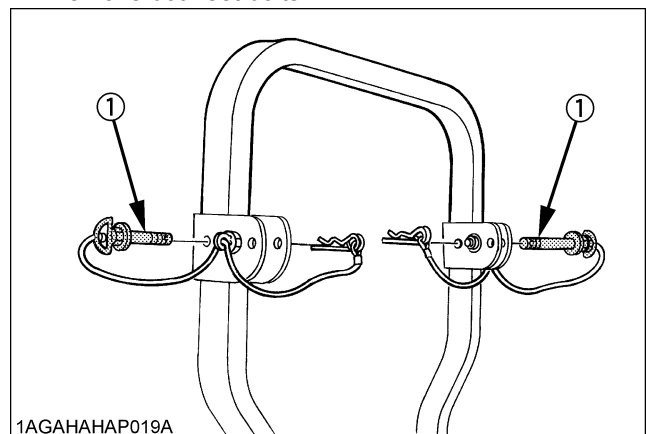
CAUTION

To avoid personal injury:

- When raising or folding the ROPS, apply parking brake, stop the engine and remove the key.
- Always perform function from a stable position at the rear of tractor.
- Fold the ROPS down only when absolutely necessary and fold it up and lock it again as soon as possible.
 - Before proceeding to fold ROPS, check for any possible interference with installed implements and attachments.
- If interference occurs, contact your KUBOTA Dealer.

■ To Fold the ROPS

1. Remove both set bolts.



1AGAHAP019A

(1) Set bolt

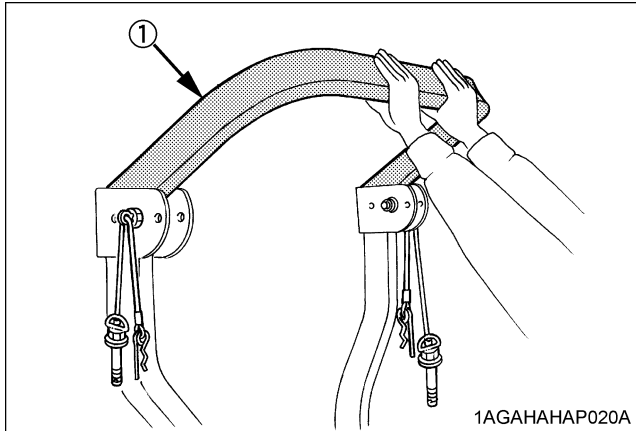
2. Fold the ROPS.



CAUTION

To avoid personal injury:

- Hold the ROPS tightly with both hands and fold the ROPS slowly and carefully.



1AGAHAHAP020A

(1) ROPS

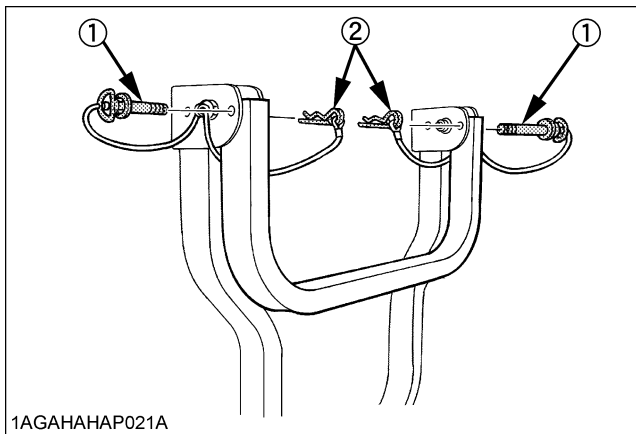
3. Align set bolt holes and insert both set bolts. Slightly tighten the set bolts and secure them with the hair pin cotters.



CAUTION

To avoid personal injury:

- Make sure that both set bolts are properly installed and secured with the hair pin cotters.

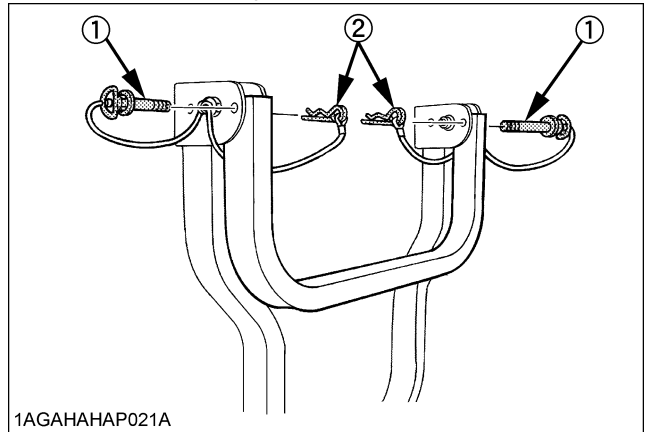


1AGAHAHAP021A

(1) Set bolt
(2) Hair pin cotter

To Raise the ROPS to Upright Position

1. Remove both hair pin cotters and set bolts.



1AGAHAHAP021A

(1) Set bolt
(2) Hair pin cotter

2. Raise ROPS to the upright position.



CAUTION

To avoid personal injury:

- Raise the ROPS slowly and carefully.

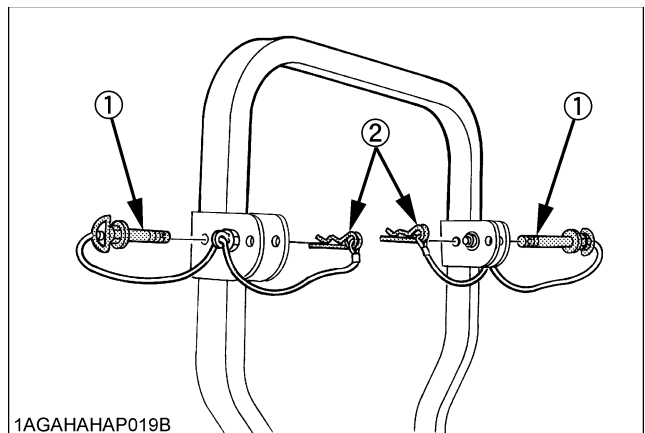
3. Align set bolt holes, insert both set bolts. Slightly tighten the set bolts and secure them with the hair pin cotters.



CAUTION

To avoid personal injury:

- Make sure that both set bolts are properly installed as soon as the ROPS is in the upright position and secured with the hair pin cotters.

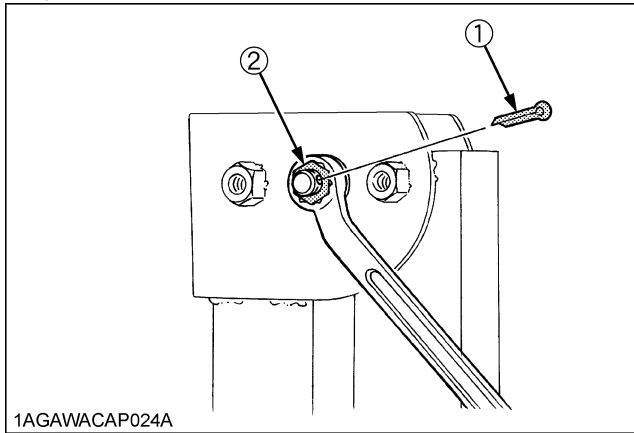


1AGAHAHAP019B

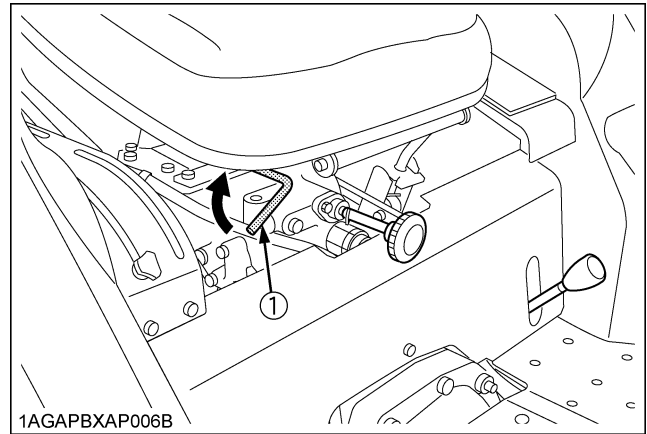
(1) Set bolt
(2) Hair pin cotter

■ Adjustment of Foldable ROPS

- Adjust free fall of the ROPS upper frame regularly.
- If you feel less friction in folding the ROPS, remove the cotter pin (1), tighten the nut (2) until you feel the right friction in the movement and then replace the cotter pin.



(1) Cotter pin
(2) Nut



(1) Travel adjust lever

STARTING

1. Adjusting the operator's position.

NOTE :

- The seat and suspension should be adjusted to ensure that the controls are comfortably at hand for the operator, ensuring that the operator maintains a good posture and minimizes risks from whole body vibration.

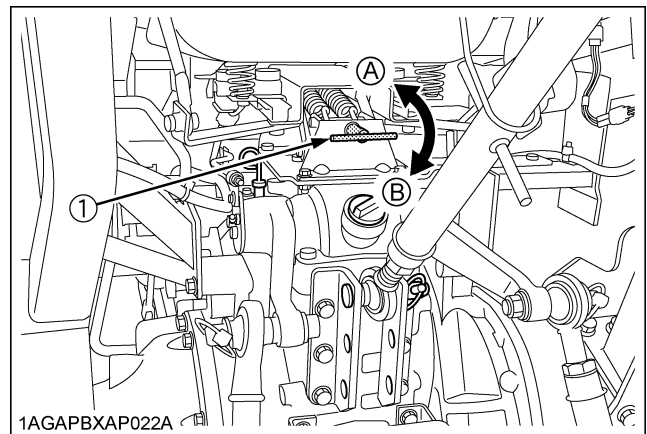
■ Operator's Seat



CAUTION

To avoid personal injury:

- Make adjustments to the seat only while the tractor is stopped.
- Make sure that the seat is completely secured after each adjustment.
- Do not allow any person other than the operator to ride on the tractor.



(1) Suspension adjust handle (A) To decrease tension
(B) To increase tension

◆ Travel adjustment

Pull up the travel adjust lever and slide the seat backward or forward, as required. The seat will lock in position when the lever is released.

◆ Suspension adjustment

Turn the suspension adjust handle to achieve the optimum suspension setting.

IMPORTANT :

- After adjusting the operator's seat, be sure to check to see that the seat is properly locked.
- Position the suspension adjust handle at the horizontal position.

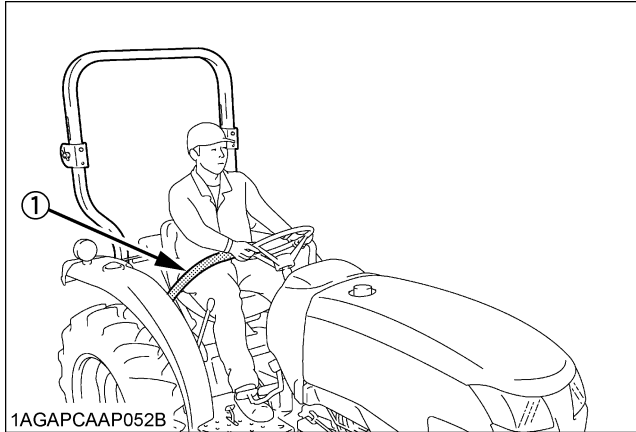
■ Seat Belt

⚠ WARNING

To avoid personal injury:

- Always use the seat belt when any ROPS or CAB are installed.
- Do not use the seat belt if a foldable ROPS is down or there is no ROPS.

Adjust the seat belt for proper fit and connect the buckle. This seat belt is auto-locking retractable type.



(1) Seat belt

2. Selecting light switch positions.

■ Head Light / Turn Signal / Hazard Light Switch

◆ Head Light Switch

Turn the light switch clockwise, and the following lights are activated on the switch position.

- (A) OFF.... Head lights OFF.
- (B) ☉.... Head lights dimmed, low beam.
- (C) ☉☉.... Head lights ON, high beam.

◆ Hazard Light Switch

When hazard light switch is pushed, the hazard lights flash along with the indicator on the instrument panel. Press the hazard light switch again to turn off the light.

◆ Turn Signal with Hazard Light

1. To indicate a right turn with the hazard lights already flashing (hazard on), turn the knob clockwise.
2. To indicate a left turn with the hazard lights already flashing, turn the knob counterclockwise.

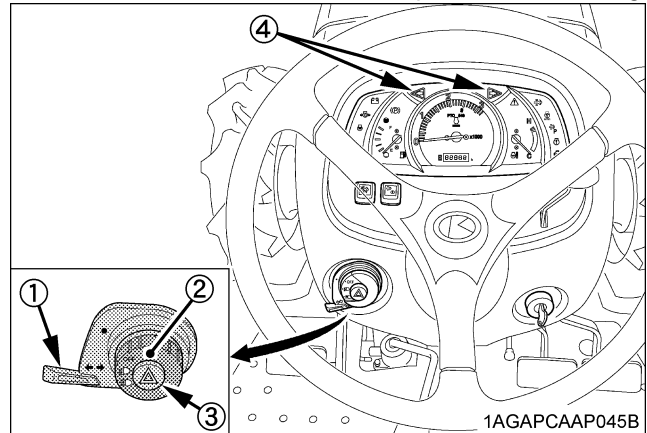
3. When the left or right turn signal is activated in combination with the hazard lights, the indicated turning light will flash and the other will stay on.

◆ Turn Signal without Hazard light

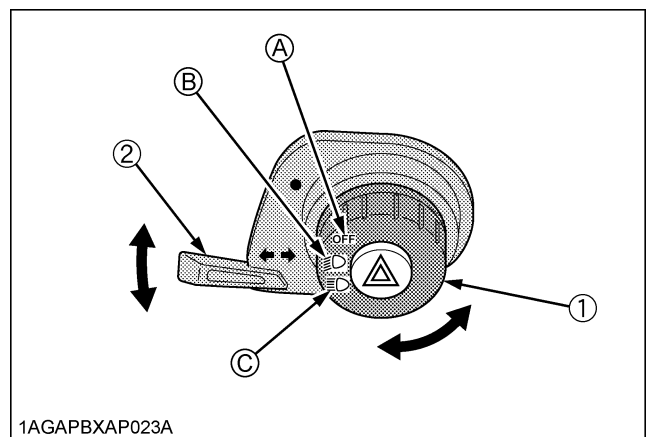
1. To indicate a right turn without hazard lights (hazard off), turn the knob clockwise.
2. To indicate a left turn without hazard lights, turn the knob counterclockwise.
3. When the left or right turn signal is activated without the hazard lights, the indicated turning light will flash and the other will be on.

NOTE :

- Be sure to return switch to center position after turning.



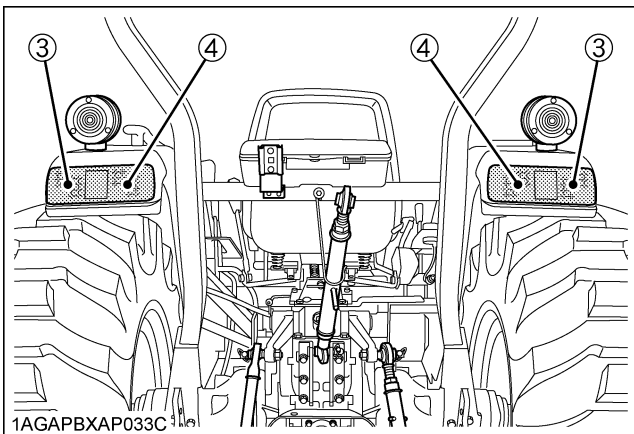
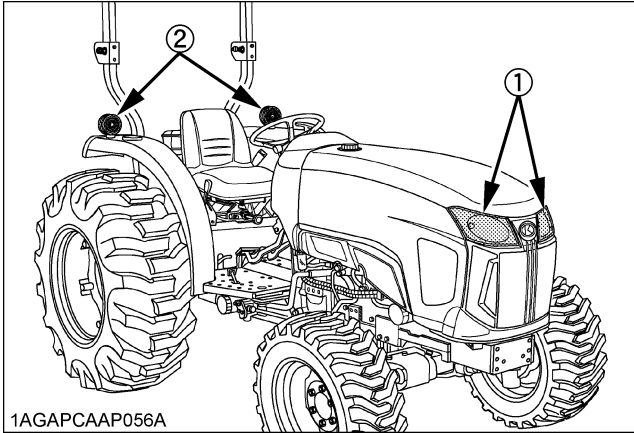
- (1) Turn signal light switch
- (2) Head light switch
- (3) Hazard light switch
- (4) Hazard / Turn signal indicator



- (1) Head light switch
- (2) Turn signal light switch
- (A) "OFF"
- (B) "ON (LOW)"
- (C) "ON (HIGH)"

■ Tractor Lights

- (1) Head light
- (2) Turn signal / Hazard light
- (3) Rear turn signal / Hazard light
- (4) Tail light



3. Checking the brake pedal.

■ Brake Pedals (Right and Left)



WARNING

To avoid personal injury:

- Be sure to interlock the right and left pedals. Applying only one rear wheel brake at high speeds could cause the tractor to swerve or roll-over.
- Be sure brake pedals have equal adjustment when using locked together. Incorrect or unequal brake pedal adjustment can cause the tractor to swerve or roll-over.



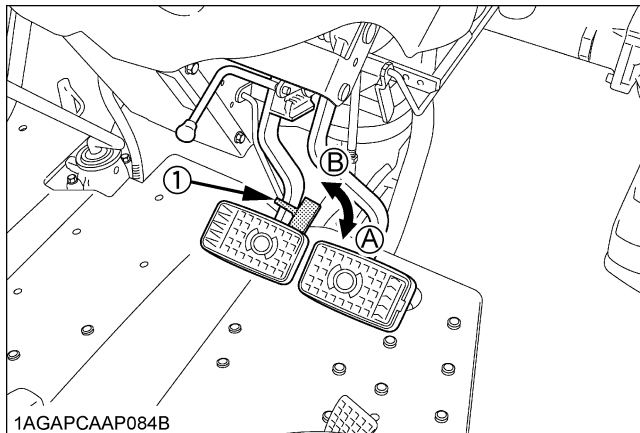
CAUTION

To avoid personal injury:

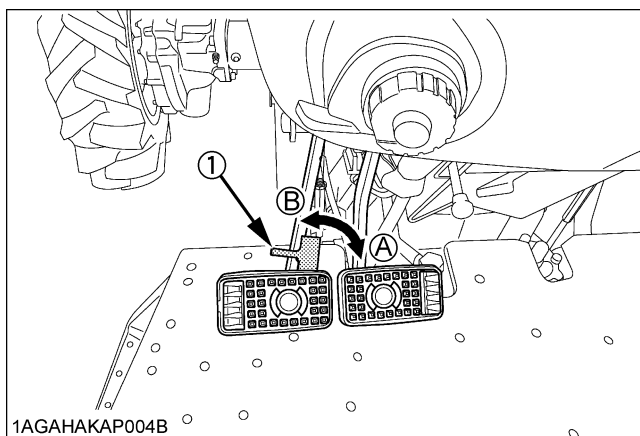
- Do not make sudden braking. An accident may occur such as by heavy towed load shifting forward or loss of control.
- To avoid skidding and loss of steering control when driving on icy, wet, or loose surfaces, make sure the tractor is correctly ballasted, operated at reduced speed, operated with front wheel drive engaged (if equipped).
- The braking characteristics are different between 2 and 4-wheel drive. Be aware of the difference and use carefully.

1. Before operating the tractor on the road or before applying the parking brake, be sure to interlock the right and left pedals as illustrated below.
2. Use individual brakes to assist in making sharp turns at slow speeds (Field Operation Only). Disengage the brake pedal lock and depress only one brake pedal.
3. Be sure brake pedals have equal adjustment when using locked together.

[Manual Transmission Type]

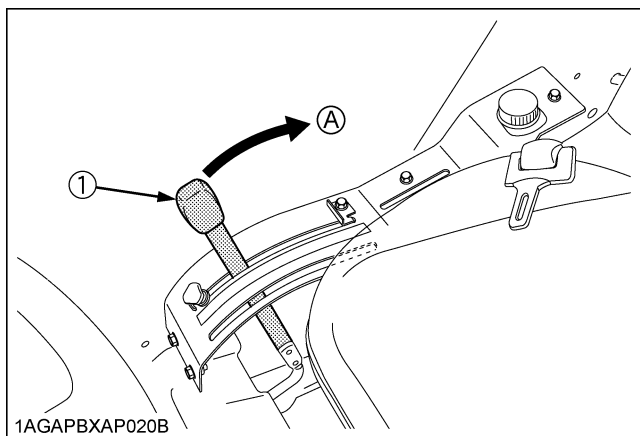


[HST Type]



(1) Brake pedal lock (A) "LOCK"
(B) "RELEASE"

4. Raise the implement.
(See "HYDRAULIC UNIT" section.)



(1) Position control lever (A) "UP"

5. Depress the clutch pedal.

[Manual Transmission Type]

■ Clutch Pedal

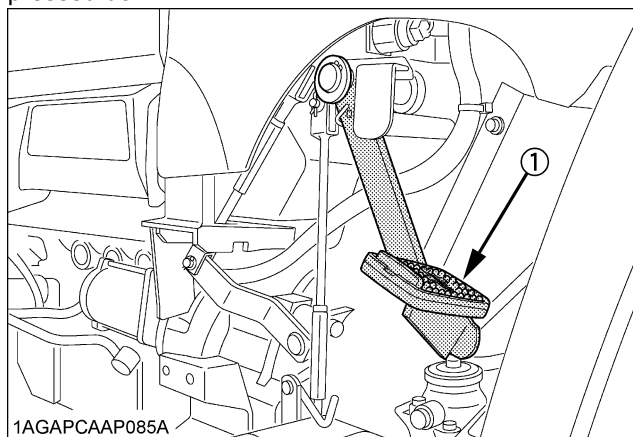


CAUTION

To avoid personal injury:

- Sudden release of the clutch may cause the tractor to lunge in an unexpected manner.

The clutch is disengaged when the clutch pedal is fully pressed down.



(1) Clutch pedal

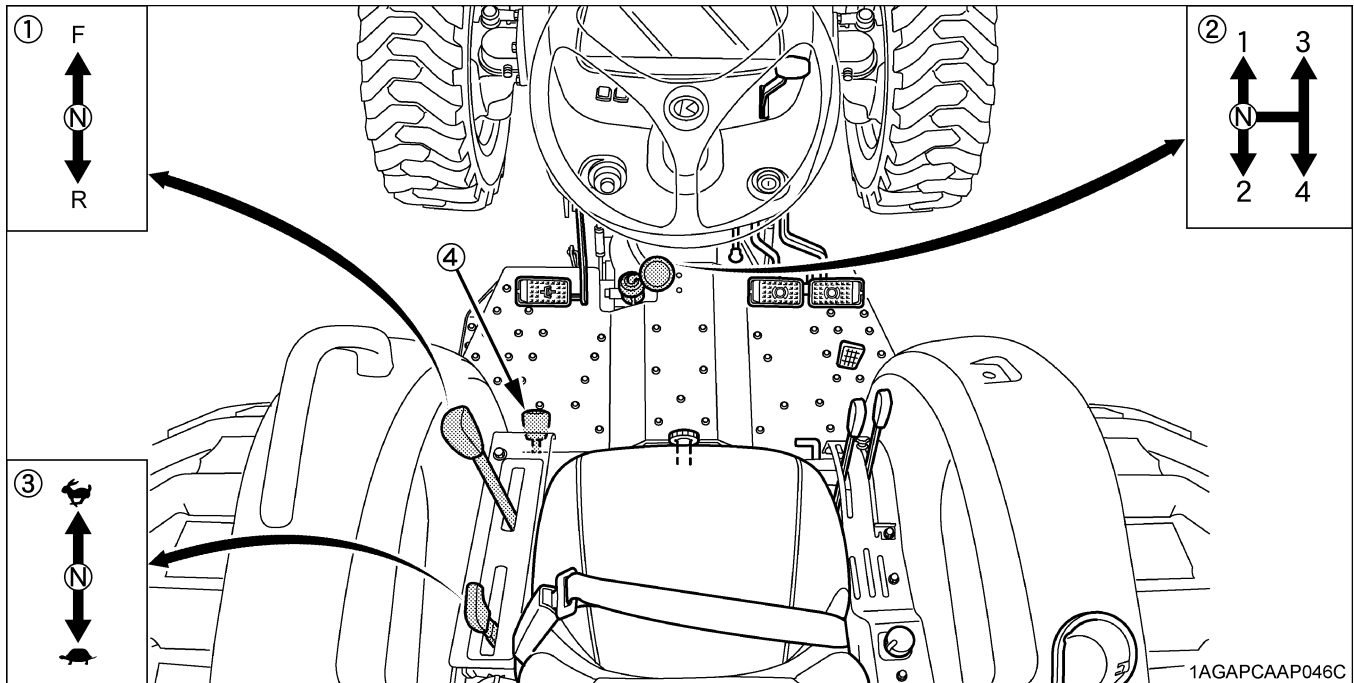
IMPORTANT :

To help prevent premature clutch wear:

- The clutch pedal must be quickly disengaged and be slowly engaged.
- Avoid operating the tractor with your foot resting on the clutch pedal.
- Select proper gear and engine speed depending on the type of job.

6. Selecting the Travel Speed.

[Manual Transmission Type]



- (1) Synchro-shuttle shift lever
 (2) Main gear shift lever
 (3) Range gear shift lever
 (4) Front wheel drive lever

- (F) "FORWARD"
 (N) "NEUTRAL POSITION"
 (R) "REVERSE"

- ↕ "LOW"
 ↕ "HIGH"

■ Main Gear Shift Lever & Range Gear Shift Lever

The main gear shift and the range gear shift can only be shifted when tractor is completely stopped and clutch is depressed.

IMPORTANT :

- To change speeds, press the clutch pedal completely down and stop the tractor before attempting to proceed with speed change.

■ Synchro-Shuttle Shift Lever

Shift the shuttle shift lever forward to obtain forward speeds and shift back to obtain reverse speeds. When changing the shuttle shift lever, depress the clutch pedal and stop the tractor before shifting.

IMPORTANT :

- The synchro-shuttle shift lever may be shifted while the tractor is moving slowly and the clutch is depressed, but sudden gear shifting may cause transmission damage.

NOTE :

- When you stand up from the seat with the shuttle lever at "FORWARD" or "BACKWARD", the engine will stop regardless of whether the tractor is moving or not. This is because the tractor is equipped with Operator Presence Control system (OPC).

■ Front Wheel Drive Lever

[4WD]

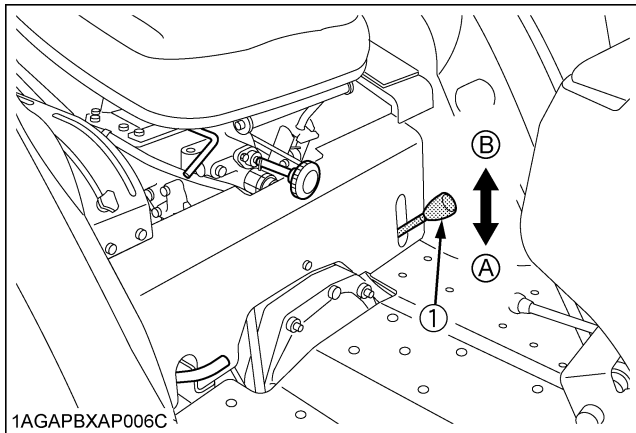


CAUTION

To avoid personal injury:

- Do not engage the front wheel drive when traveling at road speed.
- When driving on icy, wet, or loose surfaces, make sure the tractor is correctly ballasted to avoid skidding and loss of steering control. Operate at reduced speed and engage front wheel drive.
- An accident may occur if the tractor is suddenly braked, such as by heavy towed loads shifting forward or loss of control.
- The braking characteristics are different between 2 and 4-wheel drive. Be aware of the difference and use carefully.

Use the lever to engage the front wheels with the tractor stopped. Shift the lever to "ON" to engage the front wheel drive.



(1) Front wheel drive lever (A) "ON"
(B) "OFF"

IMPORTANT :

- Depress the clutch pedal before engaging the front wheel drive lever.
- If the front wheel drive lever is difficult to set to OFF, stop the tractor, turn the steering wheel and move the lever.
- Tires will wear quickly if front wheel drive is engaged on paved roads.

◆ Front wheel drive is effective for the following jobs:

1. When greater pulling force is needed, such as working in a wet field, when pulling a trailer, or when working with a front-end loader.
2. When working in sandy soil.
3. When working on a hard soil where a rotary tiller might push the tractor forward.

4. For increased braking at reduced speed.

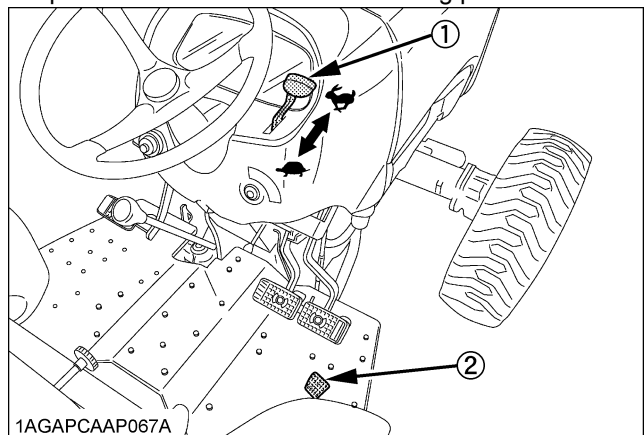
7. Accelerate the engine.

■ Hand Throttle Lever

Pulling the throttle lever back decreases engine speed, and pushing it forward increases engine speed.

■ Foot Throttle

Use the foot throttle when traveling on the road. Press down on it for higher speed. The foot throttle is interlocked with the hand throttle lever; when using the foot throttle, keep the hand throttle lever in low idling position.

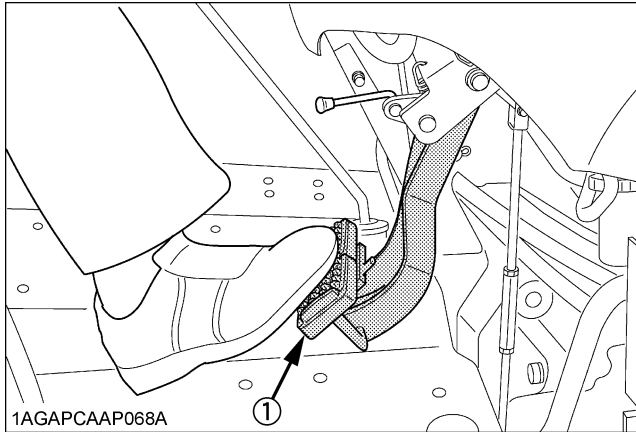


(1) Hand throttle lever ↖ "INCREASE"
(2) Foot throttle ↘ "DECREASE"

8. Unlock the parking brake and slowly release the clutch.

■ Parking Brake

To release the parking brake, depress the brake pedals again. When the parking brake is released, parking brake indicator in the Easy Checker(TM) goes off.



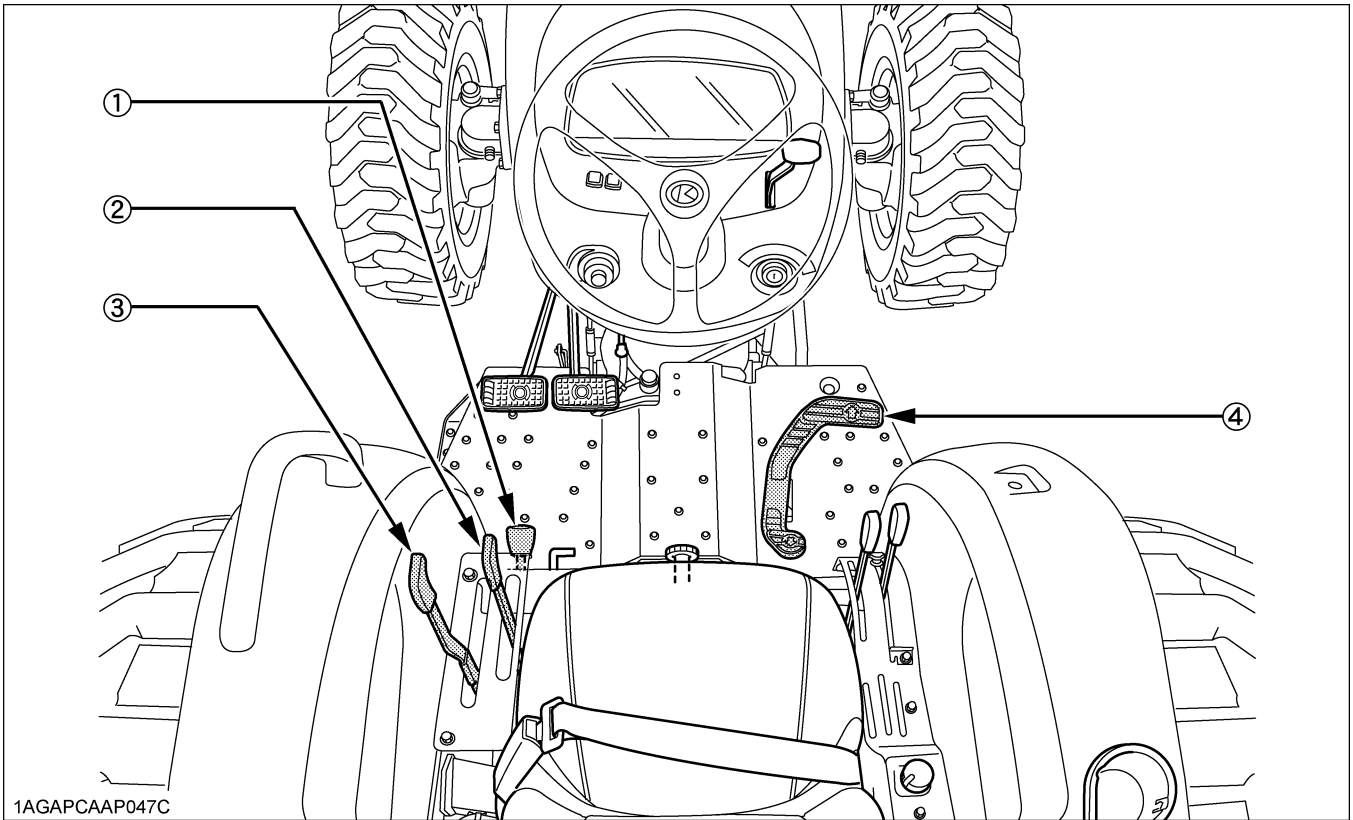
(1) Brake pedals

HST

MT

6. Selecting the Travel Speed.

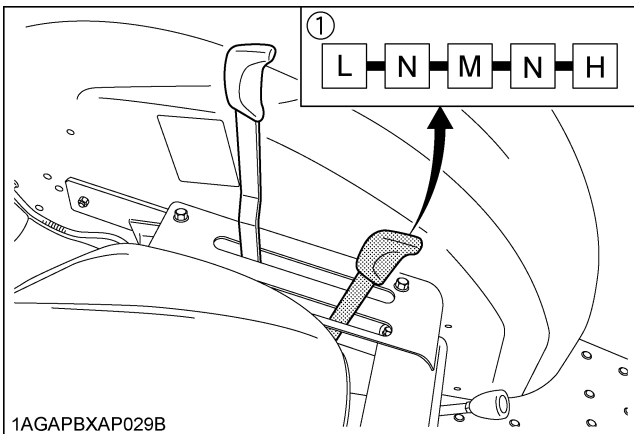
[HST Type]



- (1) Front wheel drive lever
- (2) Range gear shift lever
- (3) Cruise control lever
- (4) Speed control pedal

■ Range Gear Shift Lever (L-M-H)

The range gear shift can only be shifted when the tractor is completely stopped and the speed control pedal is in the neutral position.



- (1) Range gear shift lever (L-M-H)
- (H) "HIGH"
- (M) "MIDDLE"
- (L) "LOW"
- (N) "NEUTRAL POSITION"

IMPORTANT:

To avoid transmission and shift linkage damage when shifting:

- Completely stop the tractor using the brake pedals.
- Do not force the range gear shift lever.
- If it is difficult to shift the lever into L, M, or H from neutral position:
 - On slopes be sure to set the parking brake before starting the procedure.
 - (1) Slightly depress the speed control pedal to rotate the gears inside of the transmission.
 - (2) Release the speed control pedal to the neutral position.
 - (3) Wait for a moment and then shift the lever.

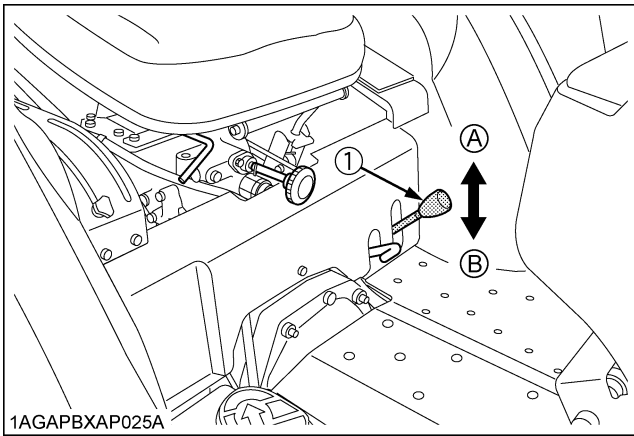
Front Wheel Drive Lever

CAUTION

To avoid personal injury:

- Do not engage the front wheel drive when traveling at road speed.
- When driving on icy, wet or loose surfaces, make sure the tractor is correctly ballasted to avoid skidding and loss of steering control. Operate at reduced speed and engage front wheel drive.
- An accident may occur if the tractor is suddenly braked, such as by heavy towed loads shifting forward or loss of control.
- The braking characteristics are different between 2 and 4-wheel drive. Be aware of the difference and use carefully.

Use the lever to engage the front wheels with the tractor stopped. Shift the lever to "ON" to engage the front wheel drive.



(1) Front wheel drive lever (A) "ON" (B) "OFF"

IMPORTANT :

- If the front wheel drive lever is difficult to set to OFF, stop the tractor, turn the steering wheel and move the lever.
- Tires will wear quickly if front wheel drive is engaged on paved roads.

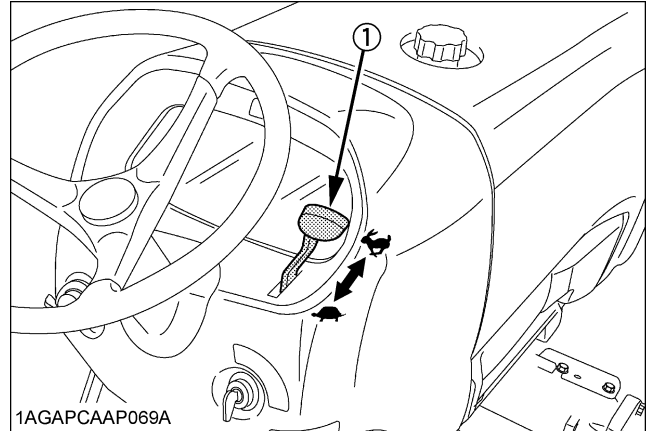
◆ Front wheel drive is effective for the following jobs:

1. When greater pulling force is needed, such as working in a wet field, when pulling a trailer, or when working with a front-end loader.
2. When working in sandy soil.
3. When working on a hard soil where a rotary tiller might push the tractor forward.
4. For increased braking at reduced speed.

7. Accelerate the engine.

Hand Throttle Lever

Pulling the throttle lever back decreases engine speed, and pushing it forward increases engine speed.

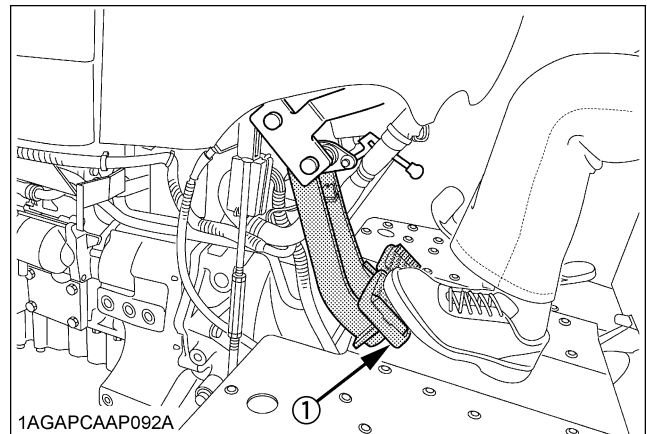


(1) Hand throttle lever "INCREASE" "DECREASE"

8. Unlock the parking brake.

Parking Brake

To release the parking brake, depress the brake pedals again. When the parking brake is released, parking brake indicator in the Easy Checker(TM) goes off.



(1) Brake pedals

9. Depress the Speed Control Pedal. [HST Type]

■ Speed Control Pedal



WARNING

To avoid personal injury:

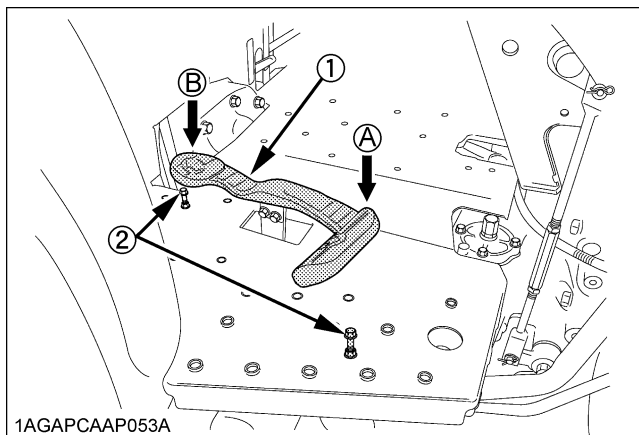
- Do not operate if tractor moves on level ground with foot off of Speed Control Pedal.
- Consult your local KUBOTA Dealer.

Forward Pedal

Depress the speed control pedal with the toe of your right foot to move forward.

Reverse Pedal

Depress the speed control pedal with the heel of your right foot to move backward.



(1) Speed control Pedal
(2) Stopper bolt

(A) "FORWARD"
(B) "REVERSE"

IMPORTANT :

- To prevent serious damage to the HST, do not adjust the stopper bolts.

NOTE :

- When you stand up from the seat with the speed control pedal stepped on or the cruise control lever engaged (ON), the engine will stop regardless of whether the tractor is moving or not. This is because the tractor is equipped with Operator Presence Control system (OPC).

■ Cruise Control Lever



CAUTION

To avoid personal injury:

- Pull the cruise control lever completely to the rear before starting the engine.
- Do not use the cruise control when driving on the road.
- Be sure to connect both the left and the right brakes to release the cruise control. The speed cruise control won't be released with single brake activation.

Cruise control is designed for tractor operating efficiency and operator comfort. This device will provide a constant forward operating speed by mechanically holding the cruise control lever at the selected position.

◆ To engage Cruise Control Device

1. The proper forward speed will be maintained if you apply the cruise control lever at any position.
2. To operate faster than the set speed, depress the speed control pedal further down in this condition. The set speed will be resumed if you release the pedal.

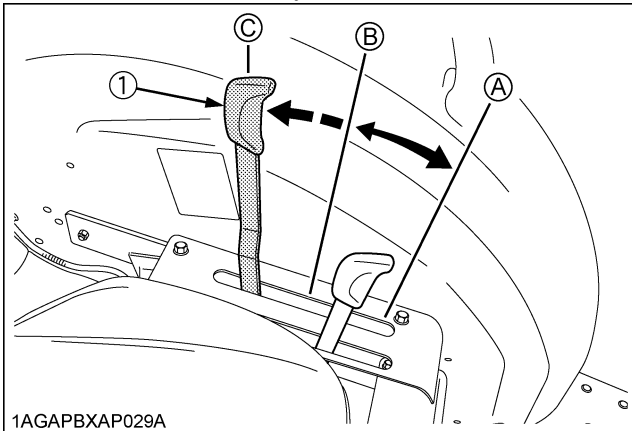
◆ To disengage Cruise Control Device

- Move the lever all the way back and then to "NEUTRAL" position to release the cruise control.
- Depress both brake pedals.

NOTE :

- Cruise control will be disengaged automatically when both brake pedals are depressed.
- The cruise control device does not disengage when the individual right or left brake is applied.
- Cruise control device will not operate in reverse.
- Preferably set the cruise control lever, while holding down the speed control pedal. This makes the setting smoother.

- When releasing the cruise mode, be sure to return the cruise control lever fully backward.



- (1) Cruise control lever
- (A) "INCREASE"
(B) "DECREASE"
(C) "NEUTRAL"

NOTE :

- When you stand up from the seat with the speed control pedal stepped on or the cruise control lever engaged (ON), the engine will stop regardless of whether the tractor is moving or not. This is because the tractor is equipped with Operator Presence Control system (OPC).

HST

MT

STOPPING

■ Stopping

1. Slow down the engine.
2. Step on the clutch and brake pedal.
3. After the tractor has stopped, disengage the PTO, lower the implement to the ground, shift the transmission to neutral, release the clutch pedal, and set the parking brake.

CHECK DURING DRIVING

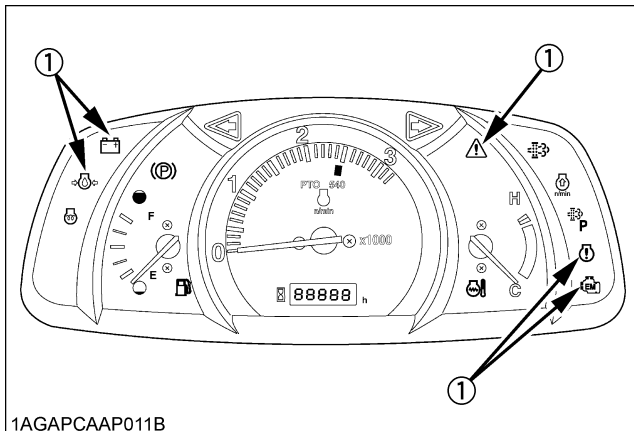
■ Immediately Stop the Engine if:

- The engine suddenly slows down or accelerates,
- Unusual noises are suddenly heard,
- Exhaust fumes suddenly become very dark,

■ Easy Checker(TM)

If the indicators in the Easy Checker(TM) come on during operation, immediately stop the engine, and find the cause as shown below.

Never operate the tractor while Easy Checker(TM) lamp is on.



1AGAPCAAP011B

(1) Easy checker(TM)



Engine oil pressure

If the oil pressure in the engine goes below the prescribed level, the warning lamp in the Easy Checker(TM) will come on.

If this should happen during operation, and it does not go off when the engine is accelerated to more than 1000 rpm, check level of engine oil.

(See "Checking Engine Oil Level" in "DAILY CHECK" in "PERIODIC SERVICE" section.)



Electrical charge

If the alternator is not charging the battery, the Easy Checker(TM) will come on.

If this should happen during operation, check the electrical charging system or consult your local KUBOTA Dealer.



Engine warning

This indicator serves the following two functions. If the indicator lights up, pinpoint the cause and take a proper measure.

1. Error with the engine control system
If during operation the water temperature gauge reads an acceptable level but the warning lamp in the Easy Checker(TM) comes on, stop the engine and get it restarted. If the error happens again, consult your local KUBOTA Dealer.

IMPORTANT :

- If the warning indicator lights up, the following phenomena may appear depending on the engine's trouble spot.
 - The engine stops unexpectedly.
 - The engine fails to start or gets interrupted just after start.
 - The engine output is not enough.
 - The engine output is enough, but the warning indicator stays on.

If the engine output is not enough, immediately interrupt the operation and move the tractor to a safe place and stop the engine.

2. Engine overheat

If the water temperature gauge reads an unusual level and the warning lamp in the Easy Checker(TM) comes on, the engine may have got overheated. Check the tractor by referring to "TROUBLESHOOTING" section.



Emission indicator

If this indicator lights up, take the steps to lower the water temperature. This helps keep the emission clean.



Master system warning

If trouble should occur at the engine, transmission or other control parts, the indicator flashes as a warning. If the trouble is not corrected by restarting the tractor, consult your local KUBOTA Dealer.

NOTE :

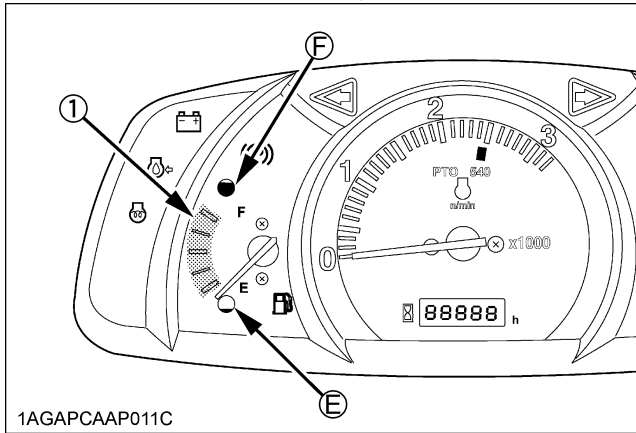
- For checking and servicing of your tractor, consult your local KUBOTA Dealer for instructions.

Fuel Gauge

When the key switch is on, the fuel gauge indicates the fuel level.

Be careful not to empty the fuel tank. Otherwise air may enter the fuel system.

Should this happen, the system should be bled. (See "Bleeding Fuel System" in "SERVICE AS REQUIRED" in "PERIODIC SERVICE" section.)



(1) Fuel gauge (E) "EMPTY" (F) "FULL"

Coolant Temperature Gauge

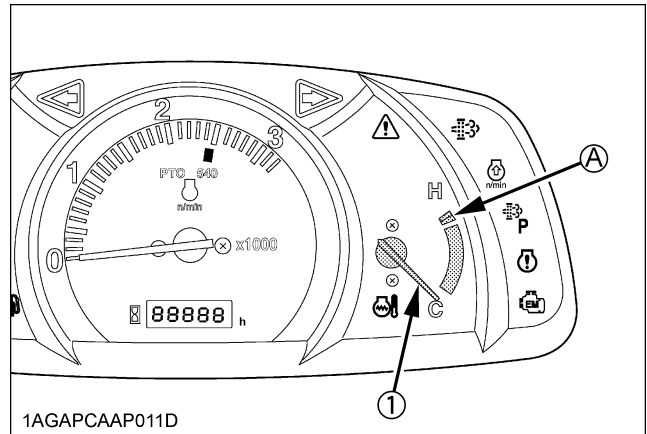


CAUTION

To avoid personal injury:

- Do not remove radiator cap until coolant temperature is well below its boiling point. Then loosen cap slightly to the stop to relieve any pressure before removing cap completely.

- With the key switch at "ON", this gauge indicates the temperature of the coolant. "C" for "cold" and "H" for "hot".
- If the indicator reaches the red zone position, engine coolant is overheated. Check the tractor by referring to "TROUBLESHOOTING" section.

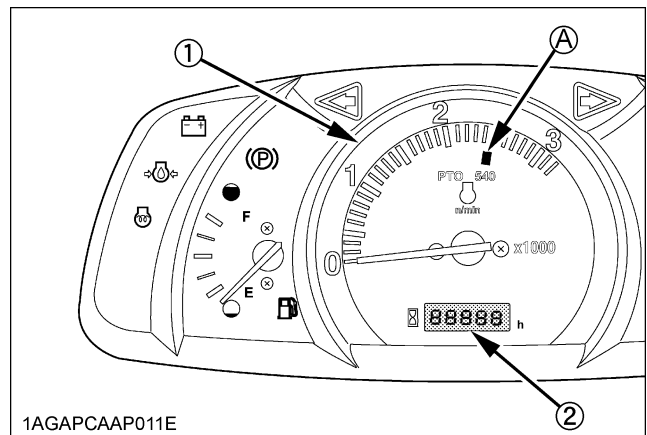


(1) Coolant temperature gauge (A) "RED ZONE"

Hourmeter/Tachometer

This meter gives readings for engine speed, PTO shaft speed and the hours the tractor has been operated.

- The tachometer indicates the engine speed and the 540 PTO shaft speed location on the dial.
- The hourmeter indicates in 5 digits the hours the tractor has been used; the last digit indicates 1/10 of an hour.



(1) Engine revolution (A) PTO : 540rpm (2) Hours used

PARKING

■ Parking

[Manual Transmission Type]



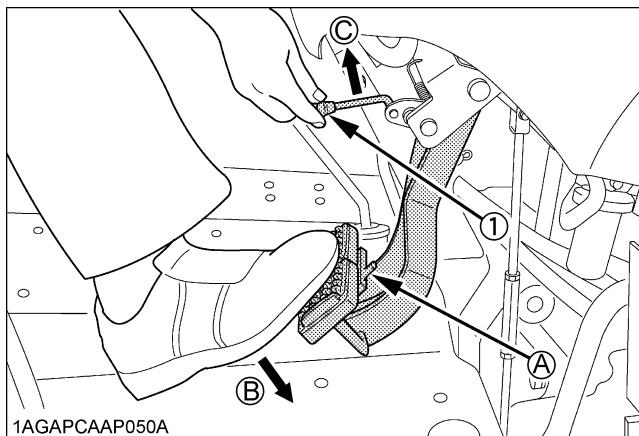
CAUTION

To avoid personal injury:

BEFORE DISMOUNTING TRACTOR

- ALWAYS SET PARKING BRAKE AND LOWER ALL IMPLEMENTS TO THE GROUND.
- STOP THE ENGINE AND REMOVE THE KEY.

1. When parking, be sure to set the parking brake. To set the parking brake;
 - (1) Interlock the brake pedals.
 - (2) Depress the brake pedals.
 - (3) Latch the brake pedals with the parking brake lever.



1AGAPCAAP050A

(1) Parking brake lever

(A) Interlock the brake pedals

(B) "DEPRESS"

(C) "PULL"

IMPORTANT :

- To prevent damage to the parking brake lever, make sure that brake pedals are fully depressed before pulling the parking brake lever.
2. Before getting off the tractor, disengage the PTO, lower all implements to the ground, place all control levers in their neutral positions, set the parking brake, stop the engine and remove the key.
 3. If it is necessary to park on an incline, be sure to chock the wheels to prevent accidental rolling of the machine.

■ Parking

[HST Type]



CAUTION

To avoid personal injury:

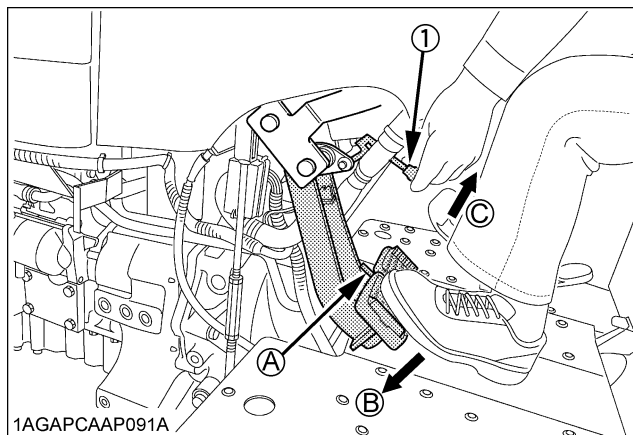
BEFORE DISMOUNTING TRACTOR

- ALWAYS SET PARKING BRAKE AND LOWER ALL IMPLEMENTS TO THE GROUND.

Leaving transmission in gear with the engine stopped will not prevent tractor with HST transmission from rolling.

- STOP THE ENGINE AND REMOVE THE KEY.

1. When parking, be sure to set the parking brake. To set the parking brake;
 - (1) Interlock the brake pedals.
 - (2) Depress the brake pedals.
 - (3) Latch the brake pedals with the parking brake lever.



1AGAPCAAP091A

(1) Parking brake lever

(A) Interlock the brake pedals

(B) "DEPRESS"

(C) "PULL"

IMPORTANT :

- To prevent damage to the parking brake lever, make sure that brake pedals are fully depressed before pulling the parking brake lever.
2. Before getting off the tractor, disengage the PTO, lower all implements to the ground, place all control levers in their neutral positions, set the parking brake, stop the engine and remove the key.
 3. If it is necessary to park on an incline, be sure to chock the wheels to prevent accidental rolling of the machine.

OPERATING TECHNIQUES

■ Differential Lock



WARNING

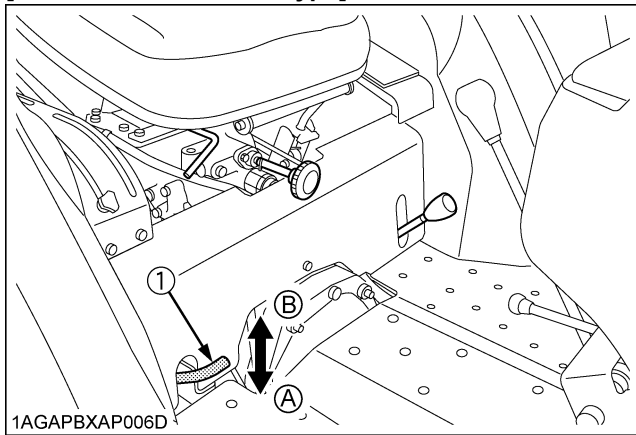
To avoid personal injury due to loss of steering control:

- Do not operate the tractor at high speed with differential lock engaged.
- Do not attempt to turn with the differential lock engaged.
- Be sure to release the differential lock before making a turn in field conditions.

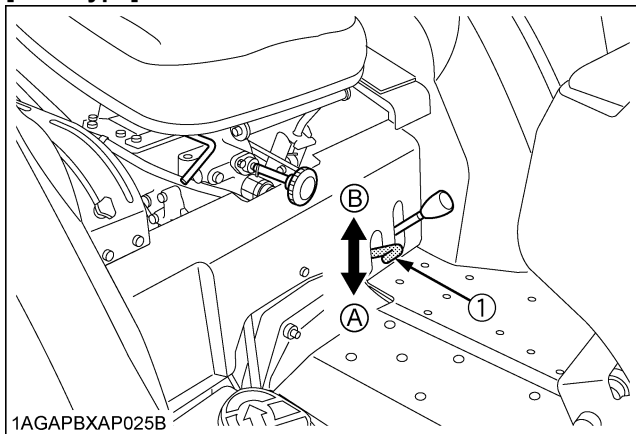
If one of the rear wheels should slip, step on the differential lock pedal. Both wheels will turn together, then reduce slippage.

Differential lock is maintained only while the pedal is depressed.

[Manual Transmission Type]



[HST Type]



(1) Differential lock pedal

(A) Press to "ENGAGE"

(B) Release to "DISENGAGE"

IMPORTANT :

- When using the differential lock, always slow the engine down.
- To prevent damage to power train, do not engage differential lock when one wheel is spinning and the other is completely stopped.
- If the differential lock cannot be released, step lightly on the brake pedals alternately.

■ Operating the Tractor on a Road



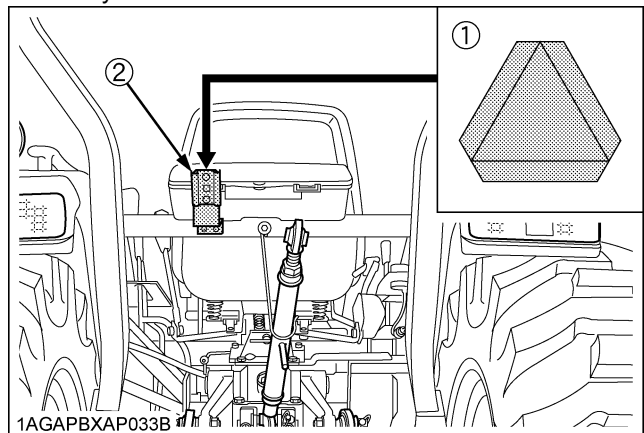
CAUTION

To avoid personal injury:

- To help assure straight line stops when driving at transport speeds, lock the brake pedals together. Uneven braking at road speeds could cause the tractor to roll-over.
- When traveling on road with 3-point hitch mounted implement attached, be sure to have sufficient front weight on the tractor to maintain steering ability.

Be sure SMV emblem and warning lamps are clean and visible. If towed or rear-mounted equipment obstructs these safety devices, install SMV emblem and warning lamps on equipment.

Consult your local KUBOTA Dealer for further details.



(1) SMV emblem

(2) Bracket

■ Operating on Slopes and Rough Terrain



CAUTION

To avoid personal injury:

- Always back up when going up a steep slope. Driving forward could cause the tractor to tip over backward. Stay off hills and slopes too steep for safe operation.
- Avoid changing gears when climbing or descending a slope.
- If operating on a slope, never disengage the clutch or shift levers to neutral. Doing so could cause loss of control.
- Do not drive the tractor close to the edges of ditches or banks which may collapse under the weight of the tractor. Especially when the ground is loose or wet.

1. Be sure wheel tread is adjusted to provide maximum stability.
(See "WHEEL ADJUSTMENT" in "TIRES, WHEELS AND BALLAST" section.)
2. Slow down for slopes, rough ground, or sharp turns, especially when transporting heavy, rear mounted equipment.
3. Before descending a slope, shift to a gear low enough to control speed without using brakes.

■ Transport the Tractor Safely

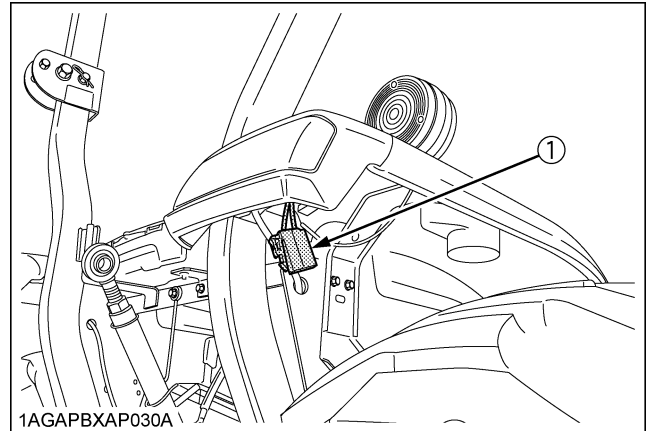
1. The tractor, if damaged, must be carried on a truck. Secure the tractor tightly with ropes.
2. Follow the instruction below when towing the tractor: Otherwise, the tractor's powertrain may get damaged.
 - Set the all shift levers to "NEUTRAL" position.
 - If possible, start engine and select 2WD, if creep speed is fitted ensure that it is disengaged.
 - Tow the tractor using its front hitch or drawbar.
 - Never tow faster than "10 km/h (6.2 mph)".

■ Directions for Use of Power Steering

1. Power steering is activated only while the engine is running. Slow engine speeds make the steering a little heavier. While the engine is stopped, the tractor functions in the same manner as tractors without power steering.
2. When the steering wheel is turned all the way to the stop, the relief valve is activated. Do not hold the steering wheel in this position for a long period of time.
3. Avoid turning the steering wheel while the tractor is stopped, or tires may wear out sooner.
4. The power steering mechanism makes the steering easier. Be careful when driving on a road at high speeds.

■ Electrical Outlet

A electrical outlet is supplied for use with implement.



(1) Accessory electrical outlet (7 A)

PTO

PTO OPERATION



CAUTION

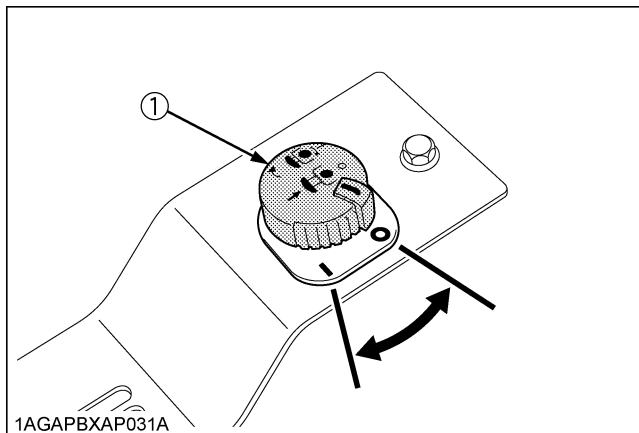
To avoid personal injury:

- Disengage PTO, stop engine, and allow all rotating components to come to a complete stop before connecting, disconnecting, adjusting, or cleaning any PTO driven equipment.

PTO Clutch Control Switch

1. The tractor has a 540 rpm speed position and 6-spline shaft.
2. The PTO clutch control switch engages or disengages the PTO clutch which gives the PTO independent control.

Turn the switch to "ON" to engage the PTO clutch. Turn the switch to "OFF" to disengage the PTO clutch.



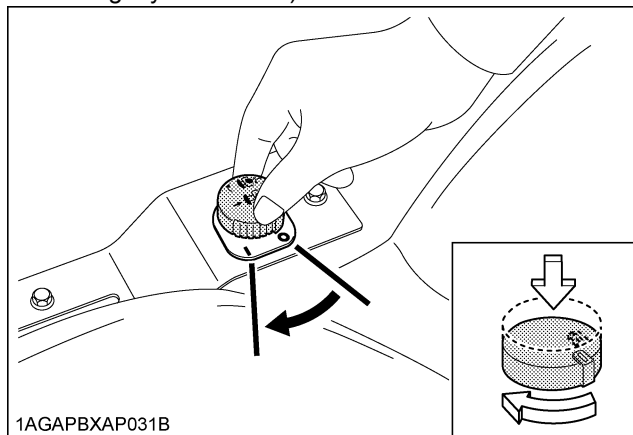
1AGAPBXAP031A

(1) PTO clutch control switch | "ON" ○ "OFF"

PTO Clutch Control Switch

To turn ON

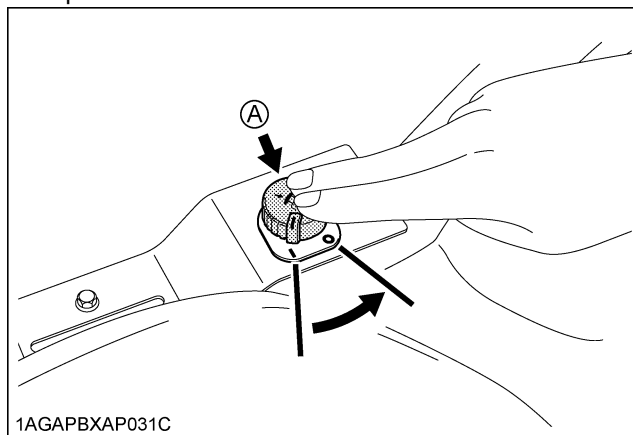
While pushing the switch, turn clockwise to the " | " position and release your hand. (In the ON position, switch slightly rises itself.)



1AGAPBXAP031B

To Turn OFF

Tap on top of the switch, and the switch will return to the OFF position.



1AGAPBXAP031C

(A) "PUSH"

IMPORTANT :

- To avoid shock loads to the PTO, reduce engine speed when engaging the PTO, then open the throttle to the recommended speed.
- To avoid damage of PTO clutch and implement, proper warm up is strongly recommended in cold weather.
Do not continuously turn the PTO clutch control switch.

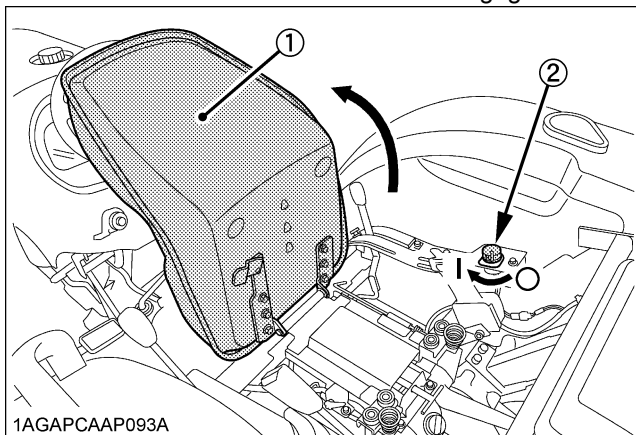
NOTE :

- There is a PTO 540 rpm indicated mark on the tachometer board.
- Tractor engine will not start if the PTO clutch control switch is in the engaged "ON" position.

Stationary PTO

To park the tractor and use the PTO system (for chipper or pump, for example), start the PTO system in the following steps.

1. Apply the parking brakes and place blocks at the tires.
2. Make sure the shift levers are at NEUTRAL, and start the engine.
3. Tilt the operator's seat forward.
4. Set the PTO clutch control switch to engage "ON".



(1) Seat
 (2) PTO clutch control switch

"ON"
 "OFF"

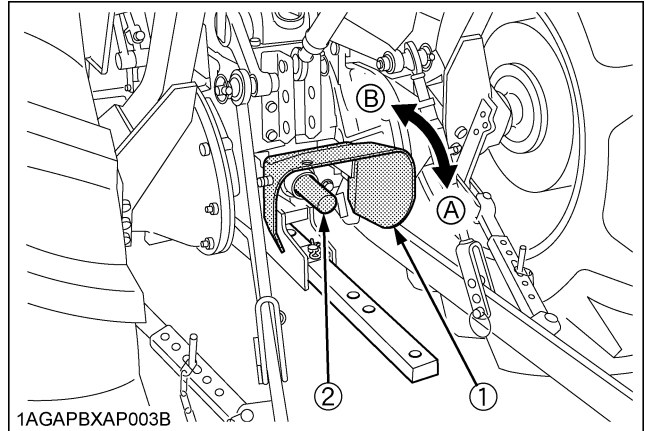
5. Set the engine speed to provide recommended rear PTO speed.

NOTE :

- If the PTO system is engaged and you stand up from the seat or the seat is not tilted forward, the engine stops automatically after standing up.

PTO Shaft Cover and Shaft Cap

Keep the PTO shaft cover in place at all times. Replace the PTO shaft cap when the shaft is not in use. When connecting or disconnecting the joint to PTO shaft, raise up the PTO shaft cover.



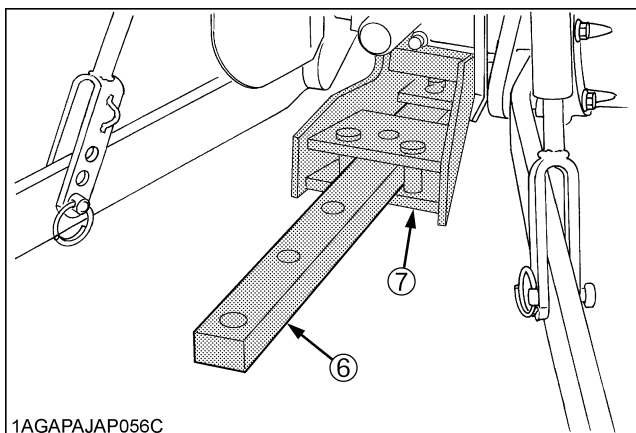
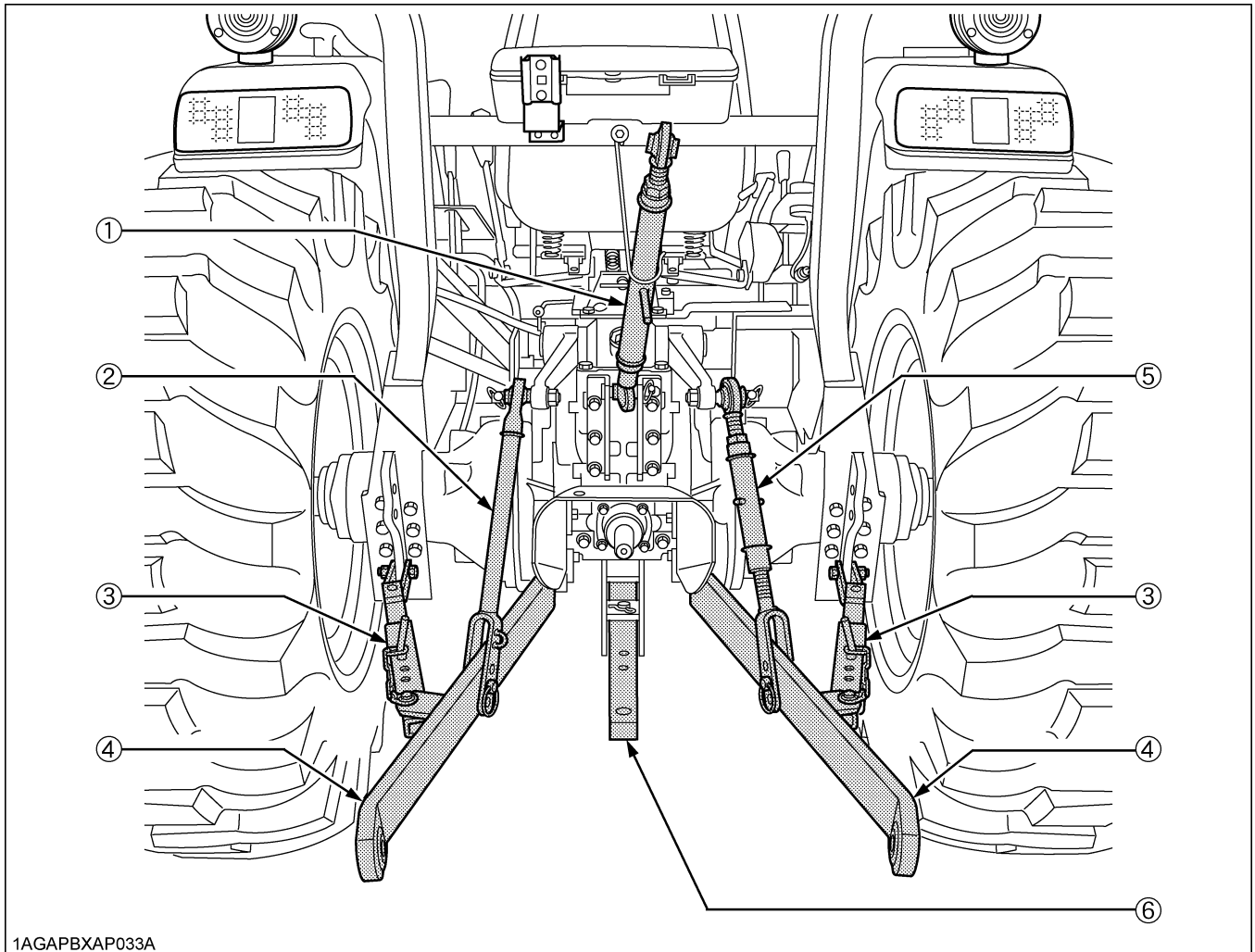
(1) PTO shaft cover
 (2) PTO shaft cap

(A) "NORMAL POSITION"
 (B) "RAISED POSITION"

IMPORTANT :

- The universal joint of the PTO drive shaft is technically limited in its moving angle. Refer to the PTO Drive Shaft Instructions for proper use.

3-POINT HITCH & DRAWBAR



- (1) Top link
- (2) Lifting rod (Left)
- (3) Telescopic stabilizers
- (4) Lower link
- (5) Lifting rod (Right)
- (6) Drawbar
- (7) Swing drawbar frame [option]

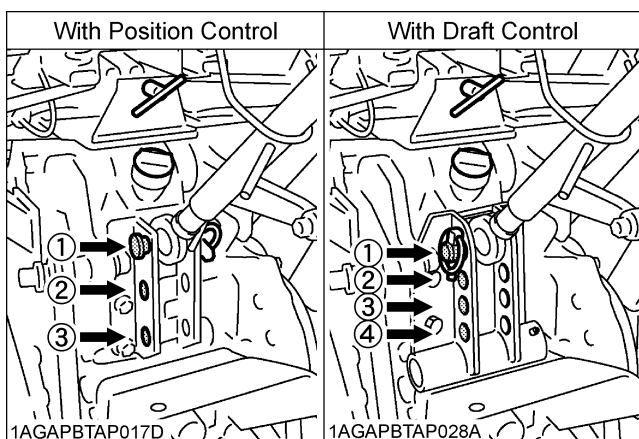
3-POINT HITCH

1. Make preparations for attaching implement.

■ Selecting the top link mounting holes

Select the proper set of holes by referring to the "Hydraulic Control Unit Use Reference Chart" in "HYDRAULIC UNIT" section.

If the hydraulic unit is set for draft control, draft response is more sensitive when an implement is connected to the upper set of top link mounting holes. If draft control is not required, it is recommended to use the low set (4).



■ Drawbar

Remove the drawbar if a close mounted implement is attached.

2. Attaching and detaching implements



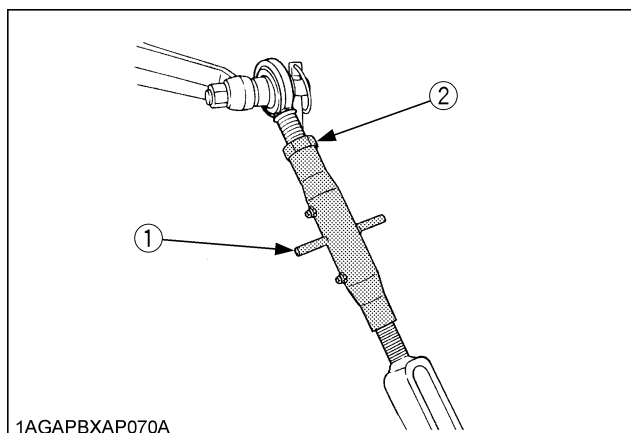
CAUTION

To avoid personal injury:

- Be sure to stop the engine.
- Do not stand between tractor and implement unless parking brake is applied.
- Before attaching or detaching implement, locate the tractor and implement on a firm level surface.
- Whenever an implement or other attachment is connected to the tractor 3-point hitch, check full range of operation for interference, binding or PTO separation.

■ Lifting Rod (Right)

Level a 3-point mounted implement from side to side by turning the adjusting handle to shorten or lengthen the adjustable lifting rod with the implement on the ground. After adjustment, tighten the lock nut securely.



- (1) Adjusting handle
(2) Lock nut

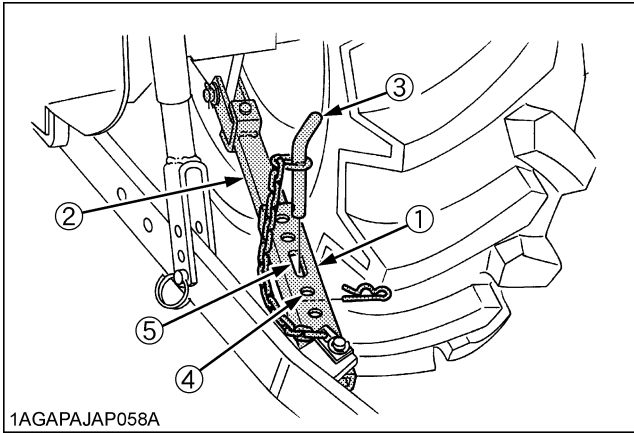
■ Top Link

1. Adjust the angle of the implement to the desired position by shortening or lengthening the top link. After adjustment, tighten the lock nut securely.
2. The proper length of the top link varies according to the type of implement being used.

■ Telescopic Stabilizers

Adjust the telescopic stabilizers to control horizontal sway of the implement. Select the proper set of holes by referring to the "Hydraulic Control Unit Use Reference Chart" in "REMOTE HYDRAULIC CONTROL SYSTEM" in "HYDRAULIC UNIT" section.

After aligning satisfactorily, insert the set-pin through any one of the 4 holes on the outer tube that align with one of the holes on the inner bar, both stabilizers will be locked. If the set-pin is inserted through the slot to engage one of the holes on the inner bar, a limited degree of sway will be permitted.



- (1) Outer tube
- (2) Inner bar
- (3) Set-pin
- (4) Hole
- (5) Slot

DRAWBAR



WARNING

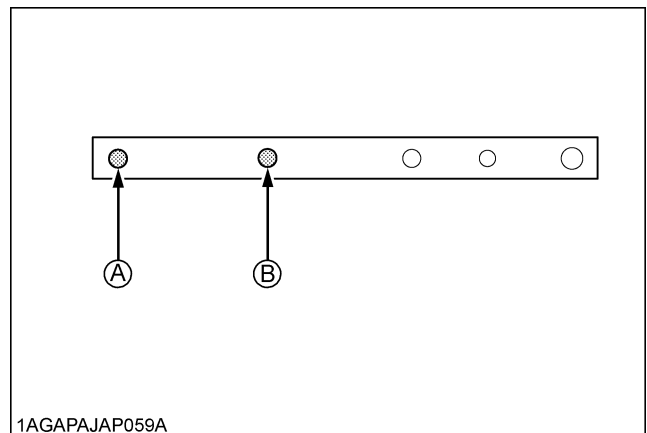
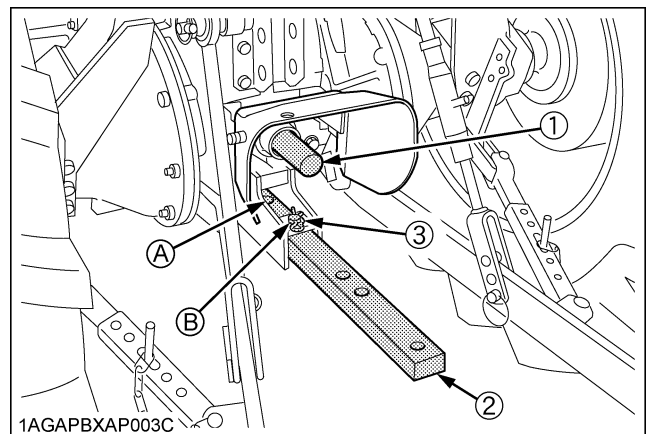
To avoid personal injury:

- Never pull from the top link, the rear axle or any point above the drawbar. Doing so could cause the tractor to tip over rearward causing personal injury or death.

■ Adjusting Drawbar Length

When towing an implement, recommend use of (B) hole in drawbar.

The drawbar load is referred to "IMPLEMENT LIMITATIONS" section.

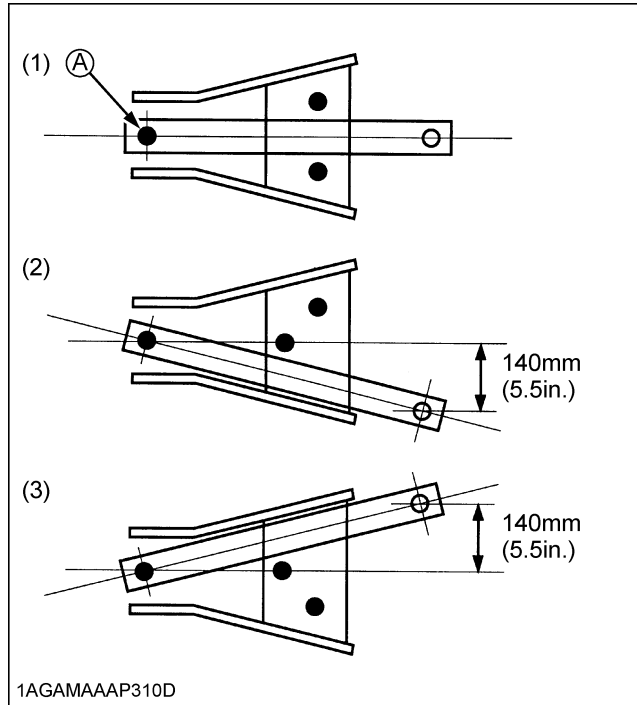


- (1) PTO shaft
- (2) Drawbar
- (3) Pivot pin

Holes : (A),(B)

■ Swing Drawbar(if equipped)

The drawbar can be used in 3 different ways as illustrated below. Assemble it correctly with joint pins set at the points as marked by • in the figure.



Hole : A

HYDRAULIC UNIT

IMPORTANT :

- Do not operate until the engine is warmed up. If operation is attempted when the engine is still cold, the hydraulic system may be damaged.
- If noises are heard when implement is lifting after the hydraulic control lever has been activated, the hydraulic mechanism is not adjusted properly. Unless corrected, the unit will be damaged. Contact your KUBOTA Dealer for adjustment.

3-POINT HITCH CONTROL SYSTEM



CAUTION

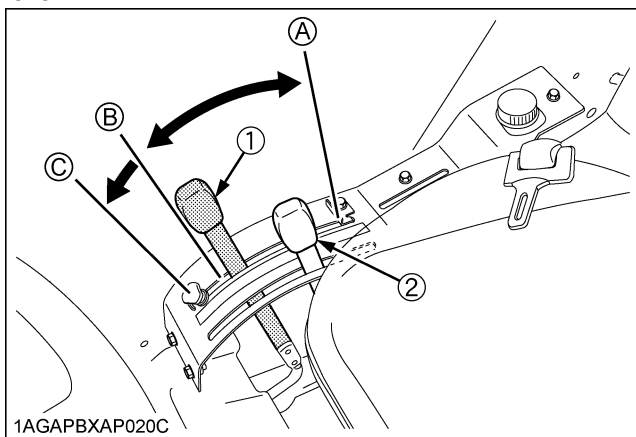
To avoid personal injury:

- Before using the 3-point hitch controls, ensure that no person or object is in the area of the implement or 3-point hitch. Do not stand on or near the implement or between the implement and tractor when operating the 3-point hitch controls.

■ Position Control

This will control the working depth of 3-point implements regardless of the amount of pull required.

Place the draft control lever in the lowest position and set the implement working depth with the position control lever.



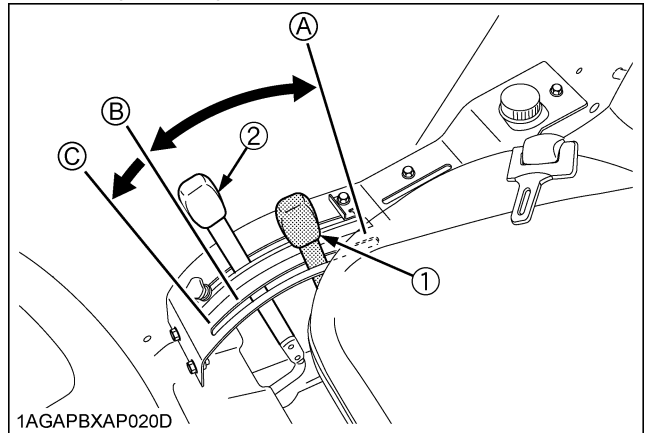
- (1) Position control lever
- (2) Draft control lever [if equipped]

- (A) "UP"
- (B) "DOWN"
- (C) "FLOAT"

■ Draft Control (if equipped)

This will control the pull of the 3-point implement. As the load on the 3-point hitch changes due to various soil conditions, the draft control system automatically responds to these changes by either raising or lowering the implement slightly to maintain a constant pull.

Place the position control lever in the lowest position and set the implement pull with the draft control lever.



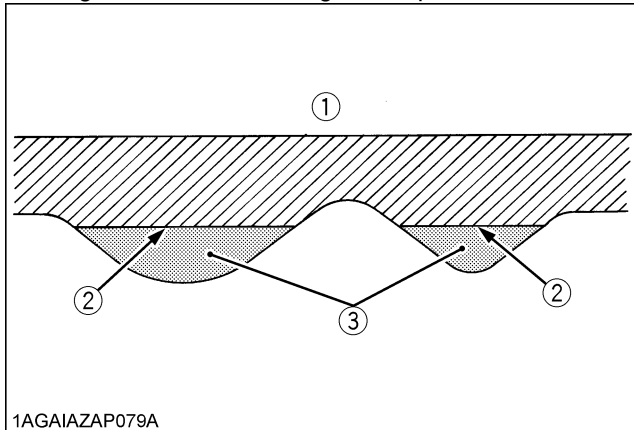
- (1) Draft control lever
- (2) Position control lever

- (A) "SENSITIVE"
- (B) "INSENSITIVE"
- (C) "FLOAT"

■ Mixed Control

In draft control, when draft decreases, the implement automatically lowers to increase draft. However, the implement sometimes lowers too much. To limit the degree, the implement can be lowered, set the position control lever at the lowest working depth desired for the implement. Lower the draft control lever to the point where the implement is at the desired depth.

This stops the implement from going too deep and causing loss of traction and ground speed.



1AGAIAZAP079A

- (1) Ground surface
- (2) Implement penetrate limit
- (3) Light soil

■ Float Control

[with Draft control]

Place both the draft control lever and the position control lever in the float position to make the lower links move freely along with the ground conditions.

[with Position control]

Place the position control lever in the float position to make the lower links move freely along with the ground conditions.

■ 3-point Hitch Lowering Speed

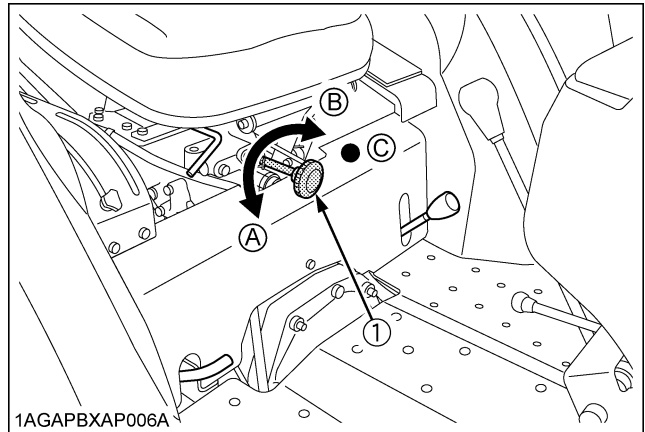


CAUTION

To avoid personal injury:

- Fast lowering speed may cause damage or injury. Lowering speed of implement should be adjusted to 2 or more seconds.

The lowering speed of the 3-point hitch can be controlled by adjusting the 3-point hitch lowering speed knob.



1AGAPBXAP006A

- (1) 3-point hitch lowering speed knob
- (A) "FAST"
- (B) "SLOW"
- (C) "LOCK"

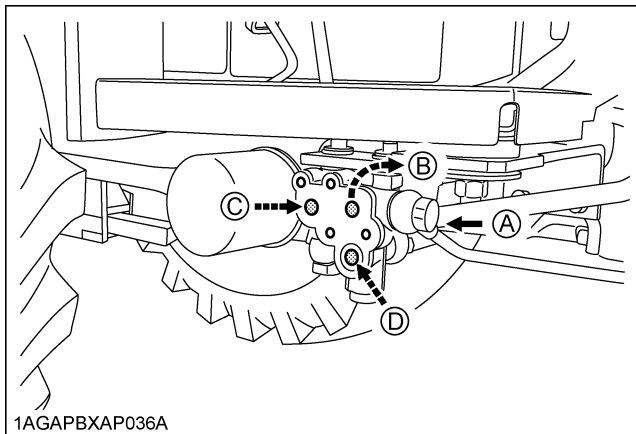
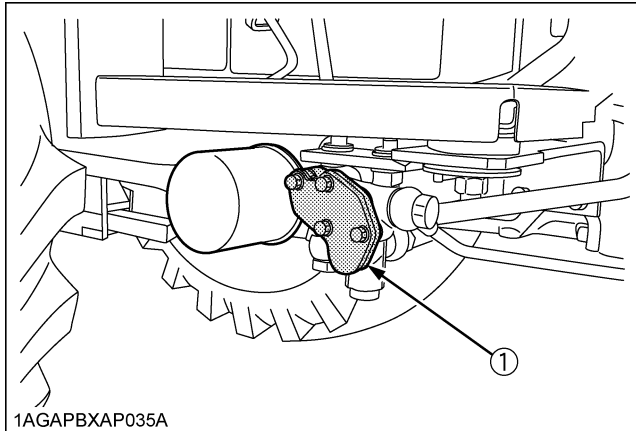
AUXILIARY HYDRAULICS

Hydraulic Block Type Outlet

Hydraulic block type outlet is useful when adding hydraulically operated implement such as: front end loader, front blade, etc.

When implement is attached

1. Remove the block cover.
2. Route the implement inlet, outlet, and return hoses as shown in the illustration.



(1) Block cover

- (A) From gear pump
- (B) To implement
Max flow
31.7 L/min (8.4 gals./min)
Max pressure
17.7 MPa (180 kgf/cm²)
- (C) From implement (Outlet)
- (D) From implement (Tank port)

REMOTE HYDRAULIC CONTROL SYSTEM (if equipped)

The hydraulic auxiliary control valves can be installed up to triple segment.

Remote Control Valve

There are two types of remote valves available for these models.

- Double acting valve:
- Double acting valve with float position:
This valve may be placed in the float mode with the control lever all the way forward. The cylinder is free to extend or retract, letting an implement such as a loader bucket follow the ground.

NOTE :

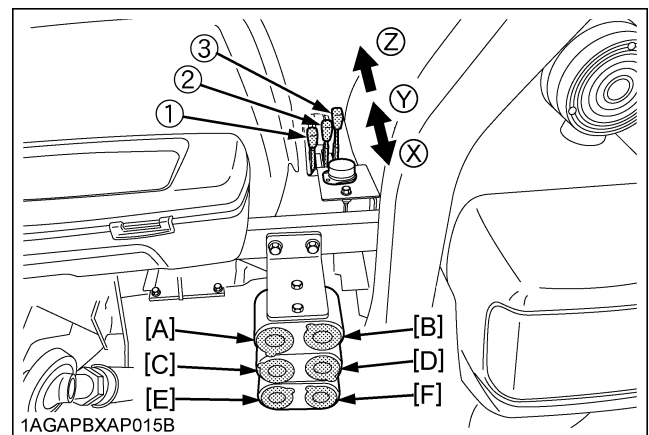
- The floating valve can be attached as the second segment only.
- Only 2 remote valves can be installed to the tractor equipped with BH92 backhoe.

Remote Control Valve Lever

The remote control valve lever directs pressurized oil flow to the implement hydraulic system.

[Example: Installing triple segment valve]

| | |
|------------|---|
| 1st 3rd | Double acting valve |
| 2nd | Double acting valve with float position |



- (1) Remote control valve lever with Double acting valve (1)
- (2) Remote control valve lever with Double acting valve / Float position (2)
- (3) Remote control valve lever with Double acting valve (3)
- (X) "REARWARD"
- (Y) "FORWARD"
- (Z) "FULL FORWARD"

Pressure →
Returning ←

| | | | | | |
|------------------------------|--------------|-----|--------------|----------|-------|
| Lever (1) | --- | | Forward | Rearward | |
| Port | [A] | --- | | In ← | Out → |
| | [B] | --- | | Out → | In ← |
| Lever (2) | Full Forward | | Forward | Rearward | |
| Port | [C] | In | Float | In ← | Out → |
| | [D] | Out | | Out → | In ← |
| Lever (3) | --- | | Forward | Rearward | |
| Port | [E] | --- | | In ← | Out → |
| | [F] | --- | | Out → | In ← |
| | | | Coupler size | | |
| Port [A] [B] [C] [D] [E] [F] | | | PT 1/2 | | |

IMPORTANT :

- Do not hold the lever in the "REARWARD" or "FORWARD" position once the remote cylinder has reached the end of the stroke, as this will cause oil to flow through the relief valve. Forcing oil through the relief valve for extended periods will overheat the oil.
- When using the tractor hydraulic system to power front loader, do not operate boom and bucket cylinders simultaneously.

NOTE :

- To use the single-acting cylinder with the float valve, connect this cylinder to the [C] port.
To extend a single-acting cylinder, pull the remote control valve lever rearward. To retract a cylinder, push it fully forward to the "FLOAT" position. Do not hold it in the down position, the transmission fluid may be overheat.

Remote Control Valve Coupler Connecting and Disconnecting

**CAUTION**

To avoid personal injury:

- Stop the engine and relieve pressure before connecting or disconnecting lines.
- Do not use your hand to check for leaks.

◆ Connecting

1. Clean both couplers.
2. Remove dust plugs.
3. Insert the implement coupler to the tractor hydraulic coupler.
4. Pull the implement coupler slightly to make sure couplers are firmly connected.

◆ Disconnecting

1. Lower the implement first to the ground to release hydraulic pressure in the hoses.
2. Clean the couplers.
3. Relieve pressure by moving hydraulic control levers with engine shut off. Pull the hose straight from the hydraulic coupler to release it.
4. Clean oil and dust from the coupler, then replace the dust plugs.

NOTE :

- Your local KUBOTA Dealer can supply parts to adapt couplers to hydraulic hoses.

Hydraulic Control Unit Use Reference Chart

In order to handle the hydraulics properly, the operator must be familiar with the following. Though this information may not be applicable to all types of implements and soil conditions, it is useful for general conditions.

| Implement | Soil condition | with Position control | | with Draft control | | Gauge wheel | Telescopic stabilizers | Remarks |
|---|---|--|---|---|---|-------------|------------------------|--|
| | | Top link mounting holes 1AGAPAAAP043F | (1) Position control lever 1AGAPAJAP006G | Top link mounting holes 1AGAMAAAP315A | (1) Position control lever (2) Draft control lever 1AGAPAJAP006F | | | |
| Moldboard plow | Light soil Medium soil Heavy soil | 1 or 2 2 or 3 3 | Position control | 1 or 2 2 or 3 3 | Draft and Mixed control | YES/NO | Loose | Insert the set-pin through the slot on the outer tube that align with one of the holes on the inner bar. For implements with gauge wheels, lower the position control lever all way. |
| Disc plow | --- | 2 or 3 | | 2 or 3 | Place the draft control lever to the suitable position and set the implement pull with the position control lever | | | |
| Harrow (spike, springtooth, disc type) | --- | 2 or 3 | | 2 or 3 | | | | |
| Sub-soiler ... | --- | 2 or 3 | | 2 or 3 | | | | |
| Weeder, ridger... | --- | 3 | 4 | Position control | YES | YES/NO | Tighten | Telescopic stabilizer should be tight enough to prevent excessive implement movement when implement is in raised position. |
| Earthmover, digger, scraper, manure fork, rear carrier..... | | | | Hold the draft control lever at the most front position during operation. | YES/NO | | | |
| Mower (mid-and rear-mount type) | | | | NO | | | | |

TIRES, WHEELS AND BALLAST

TIRES



WARNING

To avoid personal injury:

- Do not attempt to mount a tire on a rim. This should be done by a qualified person with the proper equipment.
- Always maintain the correct tire pressure. Do not inflate tires above the recommended pressure shown in the operator's manual.

IMPORTANT :

- Do not use tires other than those approved by KUBOTA.

■ Inflation Pressure

Though the tire pressure is factory-set to the prescribed level, it naturally drops slowly in the course of time. Thus, check it everyday and inflate as necessary.

NOTE :

- Maintain the maximum pressure in front tires, if using a front loader or when equipped with a full load of front weights.

| | Tire sizes | Inflation Pressure |
|-------|-------------------|--|
| Rear | 14.9-24, 6PR | 140 kPa (1.4 kgf/cm ² , 20 psi) |
| | 44 x 18-20, 4PR | 140 kPa (1.4 kgf/cm ² , 20 psi) |
| | 17.5L-24, 6PR | 140 kPa (1.4 kgf/cm ² , 20 psi) |
| Front | 6.00-16, 4PR | 220 kPa (2.2 kgf/cm ² , 32 psi) |
| | 8.3-16, 6PR | 150 kPa (1.5 kgf/cm ² , 22 psi) |
| | 27 x 8.50-15, 4PR | 80 kPa (0.8 kgf/cm ² , 11 psi) |
| | 10-16.5, 6PR | 140 kPa (1.4 kgf/cm ² , 20 psi) |
| | 7.5L-15, 6PR | 220 kPa (2.2 kgf/cm ² , 32 psi) |
| | 27-10.50LL15, 4PR | 80 kPa (0.8 kgf/cm ² , 11 psi) |
| | 305R343 | 140 kPa (1.4 kgf/cm ² , 20 psi) |

■ Dual Tires

Dual tires are not approved.

WHEEL ADJUSTMENT



CAUTION

To avoid personal injury:

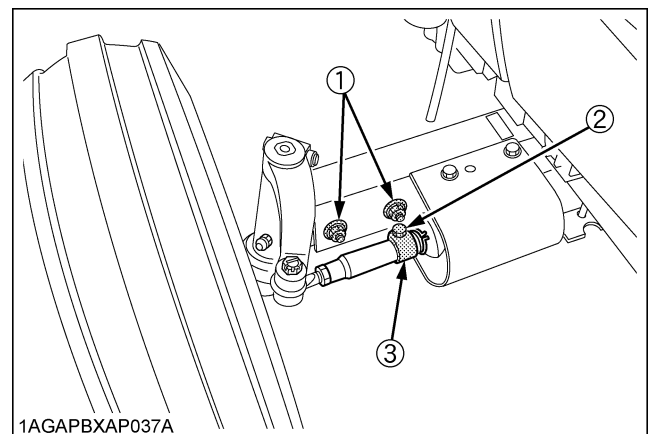
- When working on slopes or when working with trailer, set the wheel tread as wide as practical for maximum stability.
- Support tractor securely on stands before removing a wheel.
- Do not work under any hydraulically supported devices. They can settle, suddenly leak down, or be accidentally lowered. If necessary to work under tractor or any machine elements for servicing or adjustment, securely support them with stands or suitable blocking beforehand.
- Never operate tractor with a loose rim, wheel, or axle.

■ Front Wheels (with 2-wheel drive)

Front tread width can be adjusted as shown with the standard equipped tires.

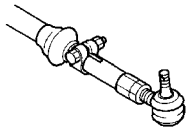
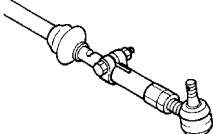
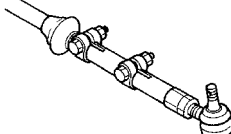
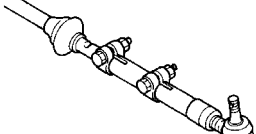
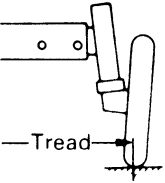
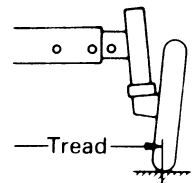
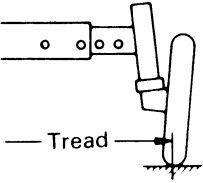
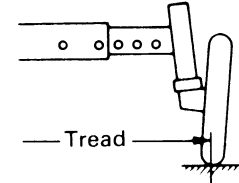
To change the tread width

1. Remove the front axle mounting bolts and the tie-rod mounting bolts.
2. Move the front axles (right and left) to the desired position, and tighten the bolts.
3. Adjust the toe-in: [2 to 8mm (0.1 to 0.3 in.)] (See "Adjusting Toe-in" in "EVERY 200 HOURS" in "PERIODIC SERVICE" section.)



1AGAPBXAP037A

- (1) Front axle mounting bolt
124 to 147 N-m (12.6 to 15 kgf-m) [91.5 to 108.9 ft-lbs.]
- (2) Tie-rod mounting bolt
61 to 71 N-m (6.2 to 7.2 kgf-m) [44.8 to 52.1 ft-lbs.]
- (3) Tie rod clamp

| | | | | | |
|--------|---|---|--|---|--------------------|
| Models |  |  |  |  | |
| |  |  |  |  | |
| Farm | 6.00-16 | 1210 mm (47.6 in.) | 1310 mm (51.6 in.) | 1410 mm (55.5 in.) | 1510 mm (59.4 in.) |
| | 7.5L-15 | 1280 mm (50.4 in.) | 1380 mm (54.3 in.) | 1480 mm (58.3 in.) | 1580 mm (62.2 in.) |
| Turf | 27x8.5-15 | 1235 mm (48.6 in.) | 1335 mm (52.6 in.) | 1435 mm (56.5 in.) | 1535 mm (60.4 in.) |

IMPORTANT :

- The front tread width for the front loader application on 2WD models should not be greater than 1280 mm (50.4 in.).

NOTE :

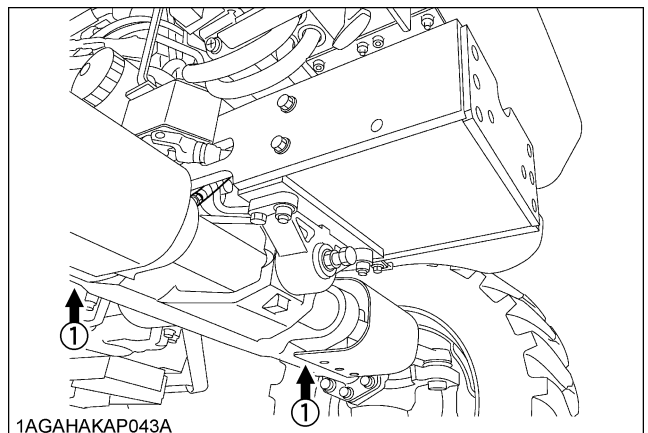
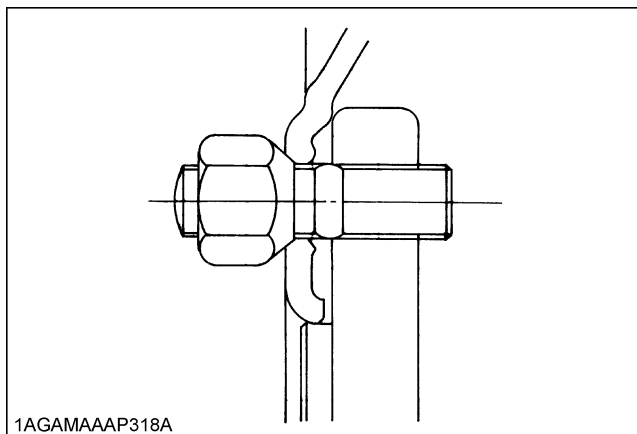
- Wheels with beveled or tapered holes: Use the tapered side of lug nut.



CAUTION

To avoid personal injury:

- Before jacking up the tractor, park it on a firm and level ground and chock the rear wheels.
- Fix the front axle to keep it from swinging.
- Select jacks that withstand the machine weight and set them up as shown below.



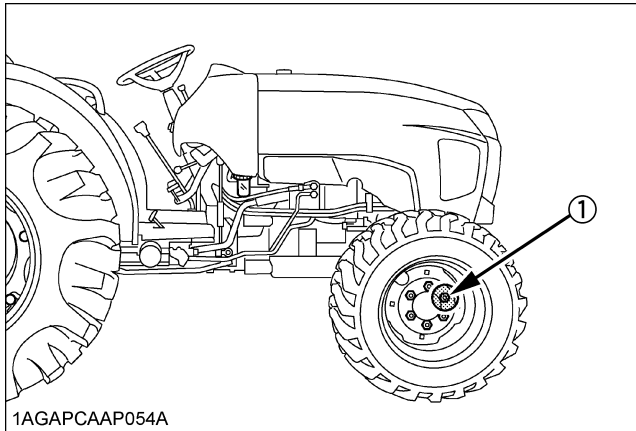
(1) Jack points

Front Wheels (with 4-wheel drive)

Front tread can not be adjusted.

IMPORTANT :

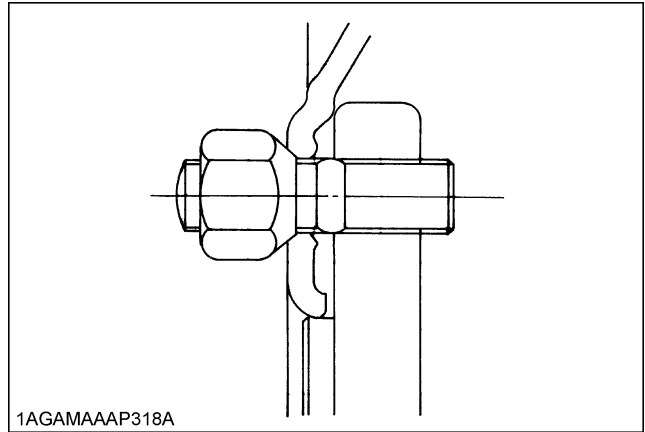
- Do not turn front discs to obtain wider tread.
- When re-fitting or adjusting a wheel, tighten the bolts to the following torques then recheck after driving the tractor 200 m (200 yards) and 10 times of shuttle movement by 5 m (5 yards), and thereafter according to service interval. (See "MAINTENANCE" section.)



(1) 124.0 to 147.0 N-m (12.6 to 15.0 kgf-m, 91.5 to 108.4 ft-lbs)

NOTE :

- Wheels with beveled or tapered holes: Use the tapered side of lug nut.



| | | | | | | |
|-----------------------------------|-------|--------------------|--------------------|---------------------|--------------------|--------------------|
| <p>Tread</p> <p>1AGAMAAAP392A</p> | Tire | 8.3-16 Farm | 27 x 8.50-15 Turf | 27 x 10.50LL15 Turf | 305R343 Turf | 10-16.5 IND |
| | Tread | 1155 mm (45.5 in.) | 1200 mm (47.2 in.) | 1180 mm (46.5 in.) | 1305 mm (51.4 in.) | 1195 mm (47.0 in.) |

NOTE :

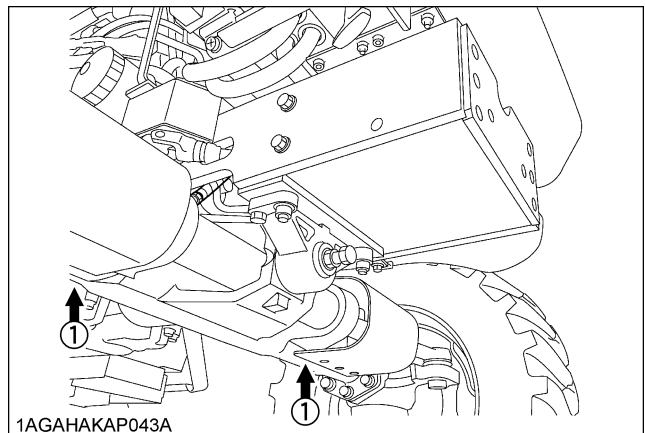
- IND...for Industrial



CAUTION

To avoid personal injury:

- Before jacking up the tractor, park it on a firm and level ground and chock the rear wheels.
- Fix the front axle to keep it from swinging.
- Select jacks that withstand the machine weight and set them up as shown below.



(1) Jack points

■ Rear Wheels

Rear tread width can be adjusted as shown with the standard equipped tires.

To change the tread width

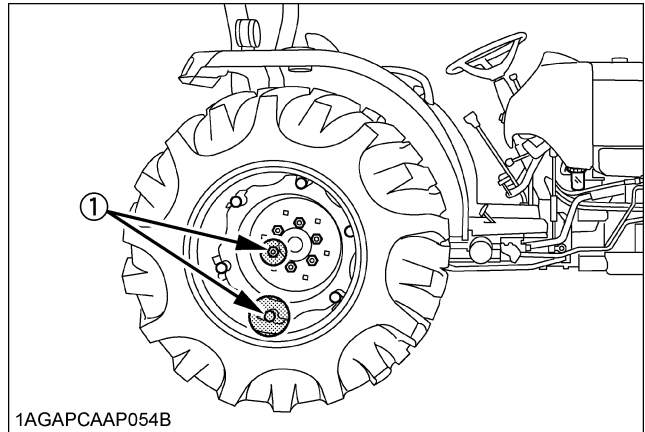
1. Remove the wheel rim and / or disk mounting bolts.
2. Change the position of the rim and / or disk (right and left) to the desired position, and tighten the bolts.

IMPORTANT :

- Always attach wheels as shown in the drawings.
- If not attached as illustrated, transmission parts may be damaged.
- When re-fitting or adjusting a wheel, tighten the bolts to the following torques then recheck after driving the tractor 200 m (200 yards) and 10 times of shuttle movement by 5 m (5 yards), and thereafter according to service interval.
(See "MAINTENANCE" section.)

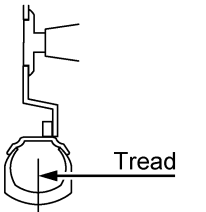
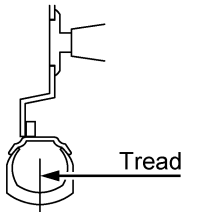
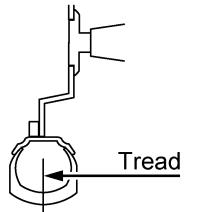
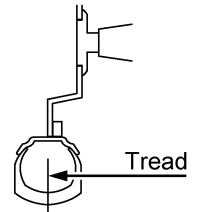
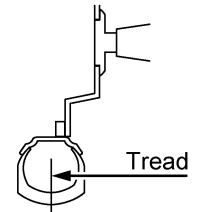
NOTE :

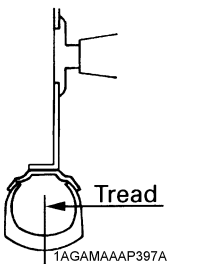
- If Backhoe is attached, use the tread widths other than * widths in the chart.



1AGAPCAAP054B

(1) 196.0 to 225.0 N-m (20.0 to 23.0 kgf-m, 144.6 to 166.0 ft-lbs)

| Models |  |  |  |  |  |
|--------------|--|--|---|--|--|
| 14.9-24 Farm | * 1180 mm (46.5 in.) | * 1200 mm (47.2 in.) | 1300 mm (51.2 in.) | 1450 mm (57.1 in.) | 1545 mm (60.8 in.) |
| 17.5L-24 IND | --- | * 1250 mm (49.2 in.) | 1360 mm (53.5 in.) | 1390 mm (54.7 in.) | 1500 mm (59.1 in.) |

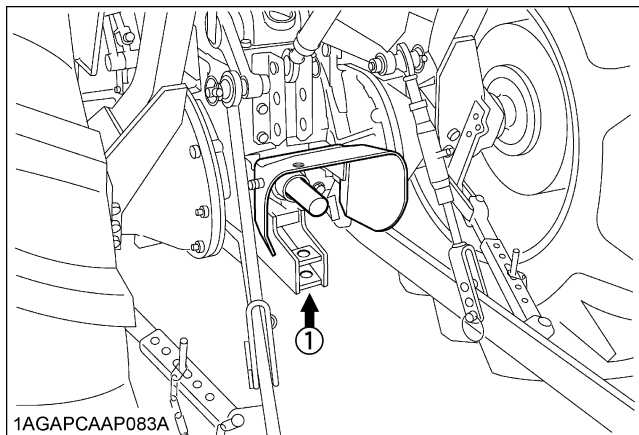
| Models |  |
|---------------|---|
| 44x18-20 Turf | 1430 mm (56.3 in.) |



CAUTION

To avoid personal injury:

- Before jacking up the tractor, park it on a firm and level ground and chock the front wheels.
- Fix the front axle to keep it from swinging.
- Select a jack that withstands the machine weight and set it up as shown below.



1AGAPCAAP083A

(1) Jack point

BALLAST



CAUTION

To avoid personal injury:

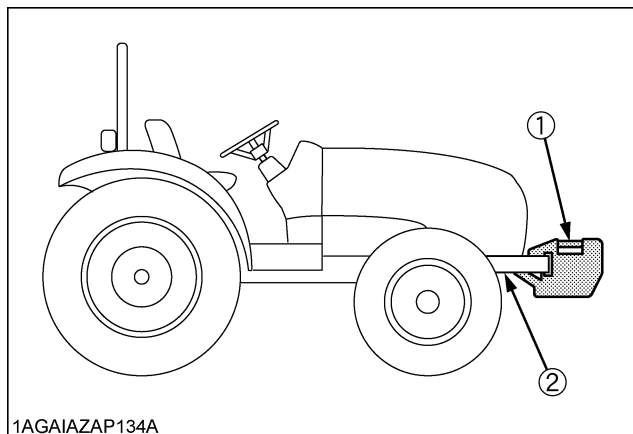
- Additional ballast will be needed for transporting heavy implements. When the implement is raised, drive slowly over rough ground, regardless of how much ballast is used.
- Do not fill the front wheels with liquid to maintain steering control.

■ Front Ballast

Add weights if needed for stability (2WD, 4WD models) and improve traction (4WD model). Heavy pulling and heavy rear mounted implements tend to lift front wheels. Add enough ballast to maintain steering control and prevent tip over. Remove weight when no longer needed.

◆ Front End Weights (option)

The front end weights can be attached to the bumper. See your implement operator's manual for required number of weights or consult your local KUBOTA Dealer to use.



1AGAIAZAP134A

- (1) Front end weights
- (2) Bumper

IMPORTANT :

- Do not overload tires.
- Add no more weight than indicated in chart.

NOTE :

- The front end weights can be attached to the bumper (option on 4WD models).

| | |
|----------------|--------------------------------|
| Maximum weight | 25 kg x 7 pieces (386 lbs.) |
|----------------|--------------------------------|

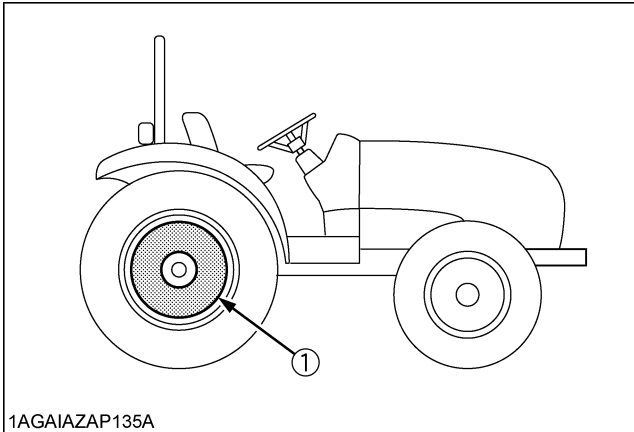
■ Rear Ballast

Add weight to rear wheels if needed to improve traction or for stability. The amount of rear ballast should be matched to job and the ballast should be removed when it is not needed.

The weight should be added to the tractor in the form of liquid ballast, rear wheel weights or a combination of both.

◆ Rear Wheel Weights (option)

The rear wheel weights can be attached to the rear wheel. See your implement operator's manual for required number of weights or consult your local KUBOTA Dealer to use.



1AGAIAZAP135A

(1) Rear wheel weights

IMPORTANT :

- Do not overload tires.
- Add no more weight than indicated in chart.

| | |
|--------------------------|--------------------------------|
| Maximum weight per wheel | 28 kg x 3 Pieces (185 lbs.) |
|--------------------------|--------------------------------|

■ Liquid Ballast in Rear Tires

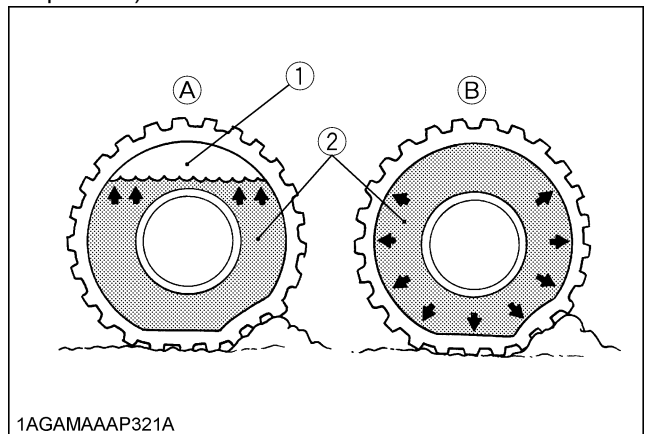
Water and calcium chloride solution provides safe economical ballast. Used properly, it will not damage tires, tubes or rims. The addition of calcium chloride is recommended to prevent the water from freezing. Use of this method of weighting the wheels has the full approval of the tire companies. See your tire dealer for this service.

Liquid weight per tire (75 Percent filled)

| Tire sizes | 14.9-24 | 17.5L-24 |
|---|----------------------|----------------------|
| Slush free at -10 °C (14 °F) Solid at -30 °C (-22 °F) [Approx. 1 kg (2 lbs.) CaCl ₂ per 4 L (1 gal) of water] | 205 kg (450 lbs.) | 235 kg (515 lbs.) |
| Slush free at -24 °C (-11 °F) Solid at -47 °C (-52 °F) [Approx. 1.5 kg (3.5 lbs.) CaCl ₂ per 4 L (1 gal) of water] | 215 kg (475 lbs.) | 250 kg (550 lbs.) |
| Slush free at -47 °C (-52 °F) Solid at -52 °C (-62 °F) [Approx. 2.25 kg (5 lbs.) CaCl ₂ per 4 L (1 gal) of water] | 225 kg (495 lbs.) | 265 kg (585 lbs.) |

IMPORTANT :

- Do not fill tires with water or solution more than 75% of full capacity (to the valve stem level at 12 o'clock position).



1AGAMAAAP321A

- (1) Air (A) Correct-75% Air compresses like a cushion
- (2) Water (B) Incorrect-100% Full Water can not be compressed

MAINTENANCE

SERVICE INTERVALS

| No. | Items | | Indication on hour meter | | | | | | | | | | | | | Interval | Ref. page | | | | |
|-----|--|---------|--------------------------|-----|-----|-----|-----|-----|-----|-----|-----|-----|-----|-----|-----|----------|-----------|--------------|----|-----|---|
| | | | 50 | 100 | 150 | 200 | 250 | 300 | 350 | 400 | 450 | 500 | 550 | 600 | 650 | | | | | 700 | |
| 1 | Engine start system | Check | ○ | ○ | ○ | ○ | ○ | ○ | ○ | ○ | ○ | ○ | ○ | ○ | ○ | ○ | ○ | every 50 Hr | 74 | | |
| 2 | Wheel bolt torque | Check | ○ | ○ | ○ | ○ | ○ | ○ | ○ | ○ | ○ | ○ | ○ | ○ | ○ | ○ | ○ | every 50 Hr | 75 | | |
| 3 | Greasing | - | ○ | ○ | ○ | ○ | ○ | ○ | ○ | ○ | ○ | ○ | ○ | ○ | ○ | ○ | ○ | every 50 Hr | 73 | | |
| 4 | Battery condition | Check | | ○ | | ○ | | ○ | | ○ | | ○ | | ○ | | ○ | ○ | every 100 Hr | 79 | *5 | |
| 5 | Fan belt | Adjust | | ○ | | ○ | | ○ | | ○ | | ○ | | ○ | | ○ | ○ | every 100 Hr | 77 | | |
| 6 | Brake | Adjust | | ○ | | ○ | | ○ | | ○ | | ○ | | ○ | | ○ | ○ | every 100 Hr | 78 | | |
| 7 | Clutch [MT] | Adjust | ◎ | ○ | | ○ | | ○ | | ○ | | ○ | | ○ | | ○ | ○ | every 100 Hr | 78 | | |
| 8 | Air cleaner element Primary element | Clean | | ○ | | ○ | | ○ | | ○ | | ○ | | ○ | | ○ | ○ | every 100 Hr | 76 | *1 | @ |
| | | Replace | | | | | | | | | | | | | | | | every 1 year | 89 | *2 | |
| | Secondary element | Replace | | | | | | | | | | | | | | | | every 1 year | 89 | | |
| 9 | Fuel line | Check | | ○ | | ○ | | ○ | | ○ | | ○ | | ○ | | ○ | ○ | every 100 Hr | 77 | | @ |
| | | Replace | | | | | | | | | | | | | | | | every 2 year | 91 | *4 | |
| 10 | Fuel grommet | Check | | ○ | | ○ | | ○ | | ○ | | ○ | | ○ | | ○ | ○ | every 100 Hr | 77 | | @ |
| | | Replace | | | | | | | | | | | | | | | | every 2 year | 91 | *4 | |
| 11 | Transmission oil filter [HST] | Replace | ◎ | | | ○ | | | | | | | | | | ○ | ○ | every 200 Hr | 81 | | |
| 12 | Toe-in | Adjust | | | | ○ | | | | | | | | | | ○ | ○ | every 200 Hr | 83 | | |
| 13 | Power steering oil line | Check | | | | ○ | | | | | | | | | | ○ | ○ | every 200 Hr | 83 | | |
| | | Replace | | | | | | | | | | | | | | | | every 2 year | 91 | *4 | |
| 14 | Oil cooler line [HST] | Check | | | | ○ | | | | | | | | | | ○ | ○ | every 200 Hr | 82 | | |
| | | Replace | | | | | | | | | | | | | | | | every 2 year | 91 | *4 | |
| 15 | Radiator hose and clamp | Check | | | | ○ | | | | | | | | | | ○ | ○ | every 200 Hr | 81 | | |
| | | Replace | | | | | | | | | | | | | | | | every 2 year | 91 | | |

| No. | Items | Indication on hour meter | | | | | | | | | | | | | | Interval | Ref. page | | | | |
|-----|--|--------------------------|-----|-----|-----|-----|-----|-----|-----|-----|-----|-----|-----|-----|-----|----------|---------------|--------------|----|----|---|
| | | 50 | 100 | 150 | 200 | 250 | 300 | 350 | 400 | 450 | 500 | 550 | 600 | 650 | 700 | | | | | | |
| 16 | Intake air line | Check | | | | ○ | | | | | ○ | | | | ○ | | | every 200 Hr | 82 | | @ |
| | | Replace | | | | | | | | | | | | | | | | every 2 year | 91 | *3 | |
| 17 | Oil separator hose | Check | | | | ○ | | | | | ○ | | | | ○ | | | every 200 Hr | 82 | | |
| | | Replace | | | | | | | | | | | | | | | | every 2 year | 91 | *4 | |
| 18 | Engine oil | Change | ◎ | | | | | | | | ○ | | | | | | every 400 Hr | 84 | | | |
| 19 | Engine oil filter | Replace | ◎ | | | | | | | | ○ | | | | | | every 400 Hr | 85 | | | |
| 20 | Water separator | Clean | | | | | | | | | ○ | | | | | | every 400 Hr | 87 | | | |
| 21 | Fuel filter | Replace | | | | | | | | | ○ | | | | | | every 400 Hr | 87 | | @ | |
| 22 | Hydraulic oil filter | Replace | | | | | | | | | ○ | | | | | | every 400 Hr | 85 | | | |
| 23 | Transmission fluid | Change | | | | | | | | | ○ | | | | | | every 400 Hr | 85 | | | |
| 24 | Front axle case oil (4WD) | Change | | | | | | | | | ○ | | | | | | every 400 Hr | 86 | | | |
| 25 | Greasing (2WD front wheel hub) | - | | | | | | | | | ○ | | | | | | every 400 Hr | 88 | | | |
| 26 | Front axle pivot | Adjust | | | | | | | | | | | | ○ | | | every 600 Hr | 88 | | | |
| 27 | Engine valve clearance | Adjust | | | | | | | | | | | | | | | every 800 Hr | 88 | *4 | | |
| 28 | Fuel injector nozzle tip | Clean | | | | | | | | | | | | | | | every 1500 Hr | 88 | *4 | @ | |
| 29 | Oil separator element | Replace | | | | | | | | | | | | | | | every 1500 Hr | 88 | | @ | |
| 30 | PCV (Positive Crankcase Ventilation) valve (Oil separator) | Check | | | | | | | | | | | | | | | every 1500 Hr | 88 | *4 | @ | |
| 31 | EGR cooler | Check Clean | | | | | | | | | | | | | | | every 1500 Hr | 88 | *4 | @ | |
| 32 | EGR system | Check Clean | | | | | | | | | | | | | | | every 3000 Hr | 89 | *4 | @ | |
| 33 | Supply pump | Check | | | | | | | | | | | | | | | every 3000 Hr | 89 | *4 | | |
| 34 | DPF muffler | Clean | | | | | | | | | | | | | | | every 3000 Hr | 89 | *4 | @ | |
| 35 | Exhaust manifold | Check | | | | | | | | | | | | | | | every 1 year | 89 | *4 | | |
| 36 | DPF differential pressure sensor pipe | Check | | | | | | | | | | | | | | | every 1 year | 89 | *4 | | |
| 37 | EGR pipe | Check | | | | | | | | | | | | | | | every 1 year | 89 | *4 | | |

| No. | Items | | Indication on hour meter | | | | | | | | | | | | | Interval | Ref. page | | | | | |
|-----|---------------------------------------|---------|--------------------------|-----|-----|-----|-----|-----|-----|-----|-----|-----|-----|-----|-----|----------|-----------|---------------------|----|-----|--|--|
| | | | 50 | 100 | 150 | 200 | 250 | 300 | 350 | 400 | 450 | 500 | 550 | 600 | 650 | | | | | 700 | | |
| 38 | DPF differential pressure sensor hose | Replace | | | | | | | | | | | | | | | | every 2 year | 91 | *4 | | |
| 39 | Cooling system | Flush | | | | | | | | | | | | | | | | every 2 year | 89 | | | |
| 40 | Coolant | Change | | | | | | | | | | | | | | | | every 2 year | 89 | | | |
| 41 | Fuel system | Bleed | | | | | | | | | | | | | | | | Service as required | 92 | | | |
| 42 | Clutch housing | Drain | | | | | | | | | | | | | | | 92 | | | | | |
| 43 | Fuse | Replace | | | | | | | | | | | | | | | 92 | | | | | |
| 44 | Light bulb | Replace | | | | | | | | | | | | | | | 93 | | | | | |

IMPORTANT :

- The jobs indicated by © must be done after the first 50 hours of operation.
- *1 Air cleaner should be cleaned more often in dusty conditions than in normal conditions.
- *2 Every year or every 6 times of cleaning.
- *3 Replace only if necessary.
- *4 Consult your local KUBOTA Dealer for this service.
- *5 When the battery is used for less than 100 hours per year, check the battery condition by reading the indicator annually.
- The items listed above (@ marked) are registered as emission related critical parts by KUBOTA in the U.S.EPA nonroad emission regulation. As the engine owner, you are responsible for the performance of the required maintenance on the engine according to the above instruction.
Please see Warranty Statement in detail.

LUBRICANTS, FUEL AND COOLANT

| No. | Locations | Capacities | Lubricants | |
|-----------------------|-----------------------------------|----------------------------|---|--|
| 1 | Fuel | 51.0 L (13.5 U.S.gals.) | No. 2-D S15 diesel fuel No. 1-D S15 diesel fuel if temperature is below -10 °C(14 °F) | |
| 2 | Coolant | 6.5 L (6.9 U.S.qts.) | Fresh clean soft water with anti-freeze | |
| 3 | Engine crankcase (with filter) | 8.2 L (8.7 U.S.qts.) | • Engine oil : Refer to next page | CJ-4 (DPF type engine) |
| | | | Above 25°C (77°F) | SAE30,SAE10W-30 or 15W-40 |
| | | | -10 to 25°C (14 to 77°F) | SAE20,SAE10W-30 or 15W-40 |
| | | | Below -10°C (14°F) | SAE10W-30 |
| 4 | Transmission case | 40.0 L (10.6 U.S. gals.) | • KUBOTA SUPER UDT-2 fluid | |
| 5 | Front axle case [4WD] | 6.5 L (6.9 U.S.qts.) | • KUBOTA SUPER UDT-2 fluid or SAE 80 - SAE 90 gear oil | |
| 6 | Greasing | No. of greasing points | Capacity | Type of grease |
| | • Front wheel hub | 2 [2WD only] | A small amount | Bearing grease |
| | • Knuckle shaft | 2 [2WD only] | Until grease overflows. | Multipurpose Grease NLGI-2 OR NLGI-1 (GC-LB) |
| | • Front axle support | 2 [4WD only] | | |
| | • Tie-rod ends | 2 [4WD only] | | |
| | • Battery terminals | 2 | | |
| | • Lift rod | 2 | | |
| | • Top link | 2 | | |
| • Hydraulic arm shaft | 2 | | | |

NOTE :

The product name of KUBOTA genuine UDT fluid may be different from that in the Operator's Manual depending on countries or territories. Consult your local KUBOTA Dealer for further details.

NOTE :**◆ Engine Oil:**

- Oil used in the engine should have an American Petroleum Institute (API) service classification and Proper SAE Engine Oil according to the ambient temperatures as shown above:
- Refer to the following table for the suitable API classification engine oil according to the engine type (with DPF (Diesel Particulate Filter) type engines) and the fuel.

| Fuel used | Engine oil classification (API classification) |
|--|--|
| | Oil class for engines with DPF |
| Ultra Low Sulfur Fuel [<0.0015% (15 ppm)] | CJ-4 |

◆ Fuel:

- Use the ultra low sulfur diesel fuel only [below 0.0015% (15 ppm)] for these engines.
- Cetane number of 45 minimum. Cetane number greater than 50 is preferred, especially for temperatures below -20°C (-4 °F) or elevations above 1500 m (5000 ft).
- Diesel fuels specified to EN 590 or ASTM D975 are recommended.
- No.2-D is a distillate fuel of lower volatility for engines in industrial and heavy mobile service. (SAE J313 JUN87)

◆ Transmission Oil:

*KUBOTA Super UDT-2: For an enhanced ownership experience, we highly recommend Super UDT-2 to be used instead of standard hydraulic/transmission fluid.

Super UDT-2 is a proprietary KUBOTA formulation that delivers superior performance and protection in all operating conditions.

Regular UDT is also permitted for use in this machine.

- Indicated capacities of water and oil are manufacturer's estimate.

PERIODIC SERVICE



CAUTION

To avoid personal injury:

- Do not work under any hydraulically supported devices. They can settle, suddenly leak down, or be accidentally lowered. If necessary to work under tractor or any machine elements for servicing or adjustment, securely support them with stands or suitable blocking beforehand.

HOW TO OPEN THE HOOD



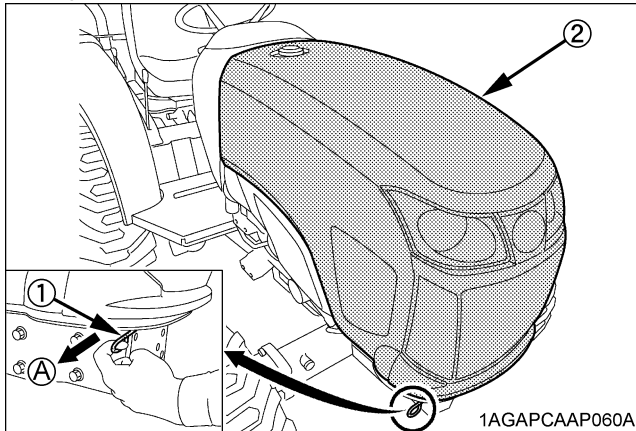
CAUTION

To avoid personal injury from contact with moving parts;

- Never open the hood or engine side cover while the engine is running.
- Do not touch muffler or exhaust pipes while they are hot; Severe burns could result.
- Hold the hood with other hand while unlocking release lever.

■ Hood

To open the hood, hold the hood and pull the release lever and open the hood.

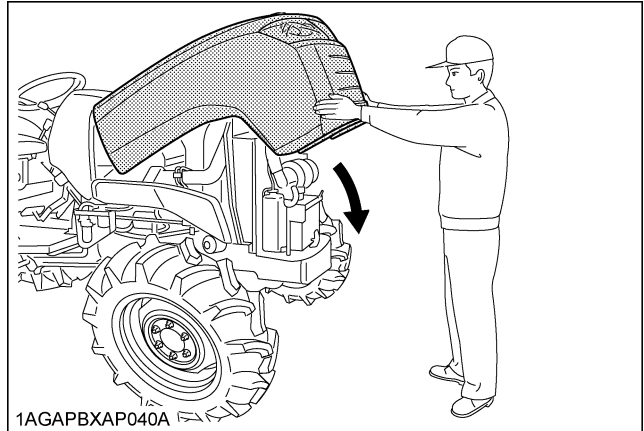


(1) Release lever
(2) Hood

(A) "PULL"

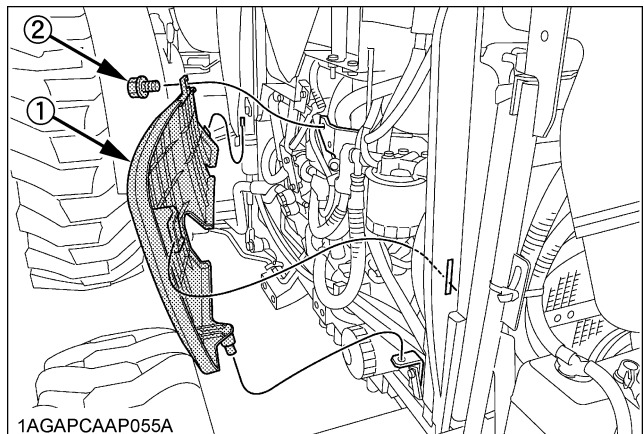
NOTE :

- To close the hood, push the hood into position using both hands.



■ Side Cover

1. Remove the bolt from each of the side covers and detach the side covers.
2. To attach the side covers, insert the bottom pin of each of them, hook them on, and tighten their bolts.



(1) Side cover
(2) Bolt

DAILY CHECK

For your own safety and maximum service life of the machine, make a thorough daily inspection before operating the machine to start the engine.



CAUTION

To avoid personal injury:

Take the following precautions when checking the tractor.

- Park the machine on firm and level ground.
- Set the parking brake.
- Lower the implement to the ground.
- All residual pressure of the hydraulic system released.
- Stop the engine and remove the key.

Walk Around Inspection

Look around and under the tractor for such items as loose bolts, trash build-up, oil or coolant leaks, broken or worn parts.

Checking and Refueling

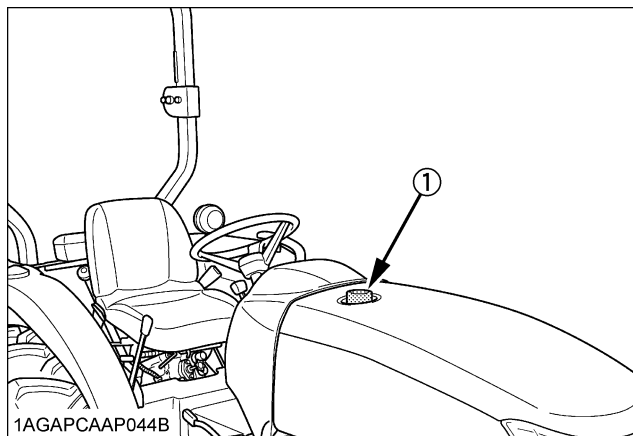


CAUTION

To avoid personal injury:

- Do not smoke while refueling.
- Be sure to stop the engine before refueling.

1. Turn the key switch to "ON", check the amount of fuel by fuel gauge.
2. Fill fuel tank when fuel gauge shows 1/4 or less fuel in tank.



(1) Fuel tank cap

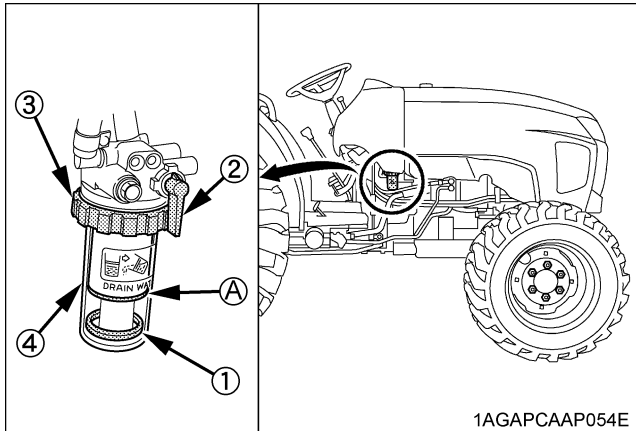
| | |
|--------------------|----------------------|
| Fuel tank capacity | 51L (13.5 U.S.gals.) |
|--------------------|----------------------|

IMPORTANT :

- Do not permit dirt or trash to get into the fuel system.
- Be careful not to let the fuel tank become empty, otherwise air will enter the fuel system, necessitating bleeding before next engine start.
- Be careful not to spill during refueling. If a spill should occur, wipe it off at once, or it may cause a fire.
- To prevent condensation (water) accumulation in the fuel tank, fill the tank before parking overnight.

■ Checking Water Separator

1. As water is collected in the water separator, the red float is raised.
2. When the red float has reached the white line, close the fuel cock, loosen the retainer ring, take out the cup, and clean the cup. Be careful not to break the element.
3. Place the cup back into position. Bleed the fuel system.
(See "SERVICE AS REQUIRED" in "PERIODIC SERVICE" section.)



- (1) Red float
- (2) Fuel cock
- (3) Retainer ring
- (4) Cup
- (A) "WHITE LINE"

IMPORTANT :

- If water is drawn through to the fuel pump, extensive damage will occur.

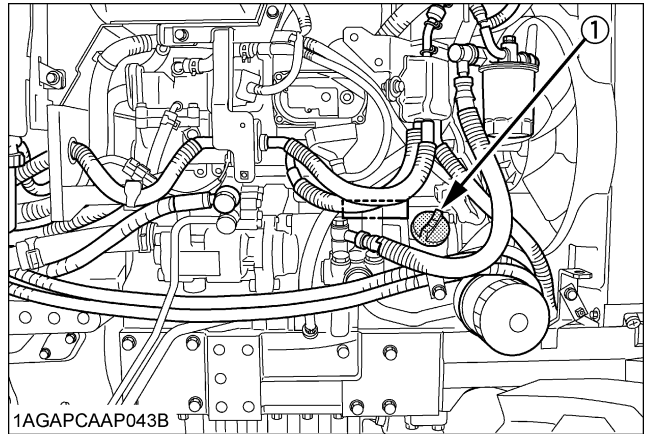
■ Checking Engine Oil Level



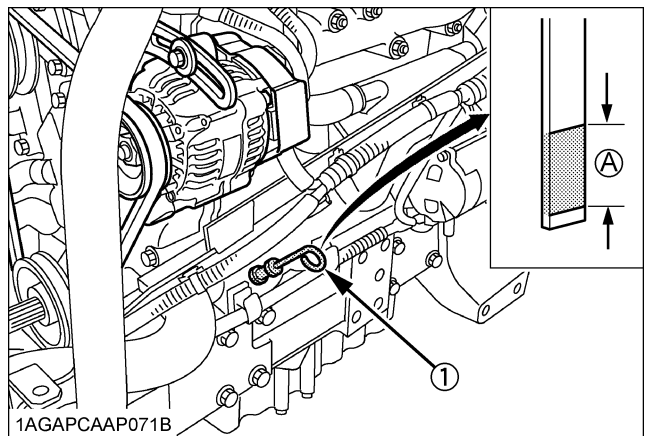
To avoid personal injury:

- Be sure to stop the engine before checking the oil level.

1. Park the machine on a flat surface.
2. Check engine oil before starting the engine or 5 minutes or more after the engine has stopped.
3. To check the oil level, draw out the dipstick, wipe it clean, replace it, and draw it out again. Check to see that the oil level lies between the 2 notches.
If the level is too low, add new oil to the prescribed level at the oil inlet.
(See "LUBRICANTS" in "MAINTENANCE" section.)



(1) Oil inlet



(1) Dipstick (A) Oil level is acceptable within this range.

IMPORTANT :

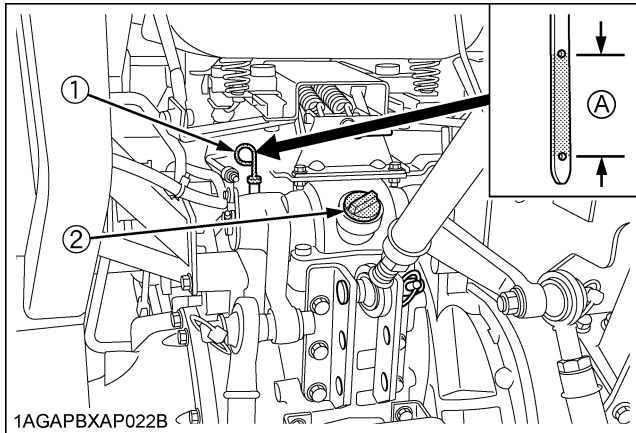
- When using an oil of different maker or viscosity from the previous one, remove all of the old oil. Never mix two different types of oil.
- If oil level is low, do not run engine.

NOTE :

- At times a small amount of fuel, which is used to regenerate the DPF, may get mixed with the engine oil and the engine oil may increase in volume.

■ Checking Transmission Fluid Level

1. Park the machine on a flat surface, lower the implement and shut off engine.
2. To check the oil level, draw out the dipstick, wipe it clean, replace it, and draw it out again. Check to see that the oil level lies between the 2 notches. If the level is too low, add new oil to the prescribed level at the oil inlet.
(See "LUBRICANTS" in "MAINTENANCE" section.)



(1) Dipstick (A) Oil level is acceptable within this range.
(2) Oil inlet

IMPORTANT :

- If oil level is low, do not run engine.

■ Checking Coolant Level

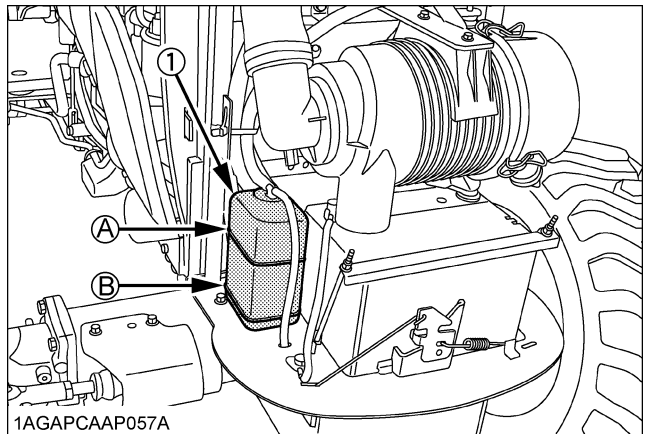


CAUTION

To avoid personal injury:

- Do not remove radiator cap while coolant is hot. When cool, slowly rotate cap to the first stop and allow sufficient time for excess pressure to escape before removing the cap completely.

1. Check to see that the coolant level is between the "FULL" and "LOW" marks of recovery tank.
2. When the coolant level drops due to evaporation, add soft water only up to the full level.
In case of leakage, add anti-freeze and soft water in the specified mixing ratio up to the full level.
(See "Flushing Cooling System and Changing Coolant" in "EVERY 2 YEARS" in "PERIODIC SERVICE" section.)
3. When the coolant level is lower than "LOW" mark of recovery tank, remove the radiator cap and check to see that the coolant level is just below the port. If level is low, add coolant.



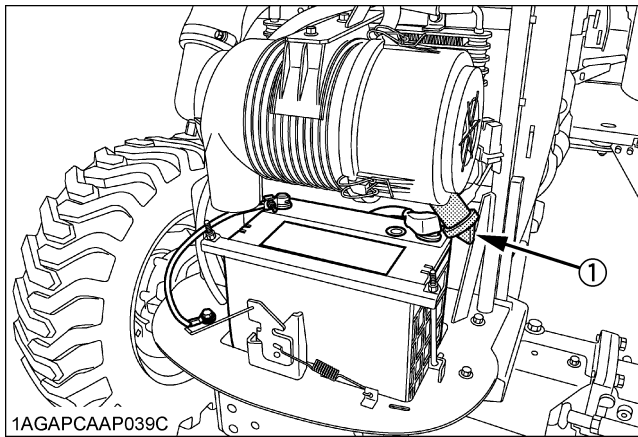
(1) Recovery tank (A) "FULL"
(B) "LOW"

IMPORTANT :

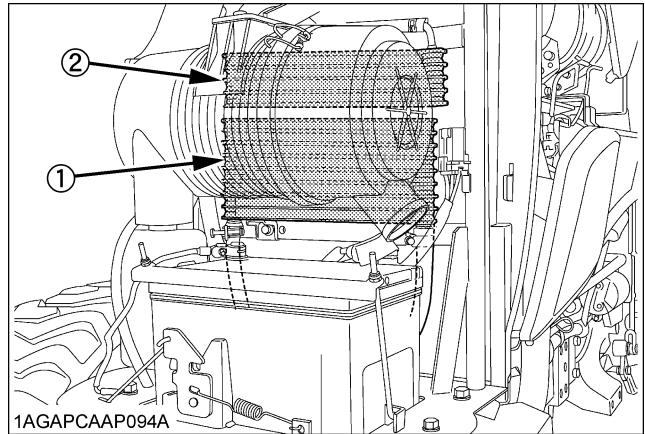
- If the radiator cap has to be removed, follow the caution above and securely retighten the cap.
- Use clean, fresh soft water and anti-freeze to fill the radiator.
- If coolant should leak, consult your local KUBOTA Dealer.

■Cleaning Evacuator Valve

Open the evacuator valve to get rid of large particles of dust and dirt.



(1) Evacuator valve



(1) Oil cooler [HST Type]
(2) Fuel cooler

IMPORTANT :

- Grill and screen must be clean from debris to prevent engine from overheating and to allow good air intake for the air cleaner.

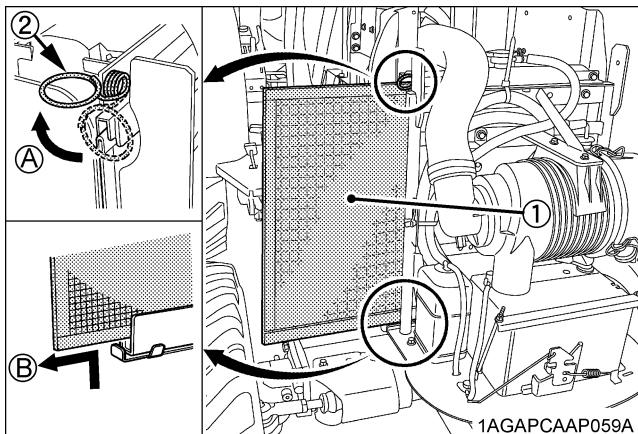
■Cleaning Grill and Radiator Screen

⚠ CAUTION

To avoid personal injury:

- Be sure to stop the engine before removing the screen.
- Before checking or cleaning the radiator screen, stop the engine and wait long enough until it is cooled down.

1. Check front grill and side screens to be sure they are clean of debris.
2. Detach the screen with the fixed spring being held up and remove all foreign materials and clean the front of radiator completely.



(1) Radiator screen
(2) Fixed spring
(A) "HOLD UP"
(B) "DETACH"

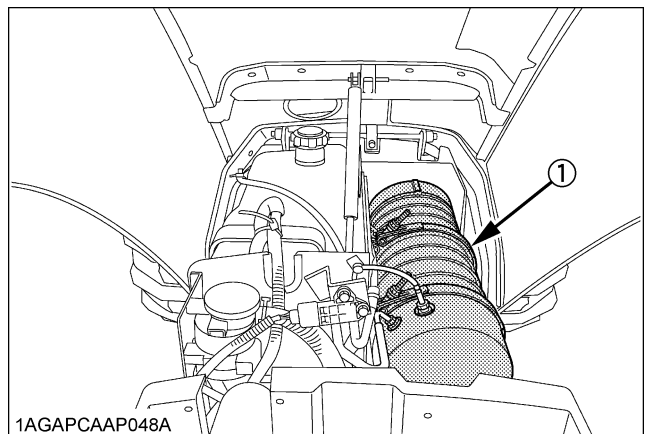
■Checking DPF Muffler

⚠ CAUTION

To avoid personal injury:

- Before checking or cleaning the DPF muffler, stop the engine and wait long enough until it is cooled down.

Check the DPF muffler and its surroundings for build-up of anything flammable. Otherwise a fire may result.



(1) DPF muffler

■ Checking Brake Pedal

[HST Type]



WARNING

To avoid personal injury:

- Be sure brake pedals have equal adjustment when using locked together. Incorrect or unequal brake pedal adjustment can cause the tractor to swerve or roll-over.

1. Inspect the brake pedals for free travel, and smooth operation.
2. Adjust if incorrect measurement is found: (See "Adjusting Brake Pedal" in "EVERY 100 HOURS" in "PERIODIC SERVICE" section.)

■ Checking Brake Pedals and Clutch Pedal

[Manual Transmission Type]



WARNING

To avoid personal injury:

- Be sure brake pedals have equal adjustment when using locked together. Incorrect or unequal brake pedal adjustment can cause the tractor to swerve or roll-over.

1. Inspect the brake and clutch pedals for free travel, and smooth operation.
2. Adjust if incorrect measurement is found: (See "Adjusting Clutch Pedal" and "Adjusting Brake Pedal" in "EVERY 100 HOURS" in "PERIODIC SERVICE" section.)

■ Checking Gauges, Meter and Easy Checker(TM)

1. Inspect the instrument panel for broken gauge(s), meter(s) and Easy Checker(TM) lamps.
2. Replace if broken.

■ Checking Head Light, Turn Signal / Hazard Light etc.

1. Inspect the lights for broken bulbs and lenses.
2. Replace if broken.

■ Checking Seat Belt and ROPS

1. Always check condition of seat belt and ROPS attaching hardware before operating tractor.
2. Replace if damaged.

■ Checking and Cleaning of Electrical Wiring and Battery Cables



CAUTION

To avoid personal injury:

- A loosened terminal or connector, or damaged wire may affect the performance of electrical components or cause short circuits. Leakage of electricity could result in a fire hazard, a dead battery or damage to electrical components.
- Replace damaged wires or connections promptly.
- If a fuse blows soon after replacement, **DO NOT USE A LARGER THAN RECOMMENDED FUSE OR BYPASS THE FUSE SYSTEM.**
- Many wiring connections are protected by waterproof plugs, plug and unplug these connections carefully and make sure they are sealed correctly after assembly.
- Accumulation of dust, chaff and spilled fuel deposits around the battery, electrical wiring, engine or exhaust system are fire hazards. **CLEAN THESE AREAS BEFORE STARTING WORK.**
To avoid premature electrical malfunctions **DO NOT APPLY** high pressure water directly to battery, wiring, connectors, electrical components or instrument panel.

Inspect the following regularly:

1. Check wiring for chafed or cracked insulation.
2. Check wiring harness clamps. Replace if necessary.
3. Check connectors and terminals for looseness, contamination or overheated (discolored) connections.
4. Check instrument panel for correct operation of switches and gauges.

Consult your KUBOTA Dealer regarding maintenance, diagnosis and repair.

■ Checking Movable Parts

If any of the movable parts, such as levers and pedals, is not smoothly moved because of rust or sticky material, do not attempt to force it into motion.

In the above case, remove the rust or the sticky material, and apply oil or grease on the relevant spot.

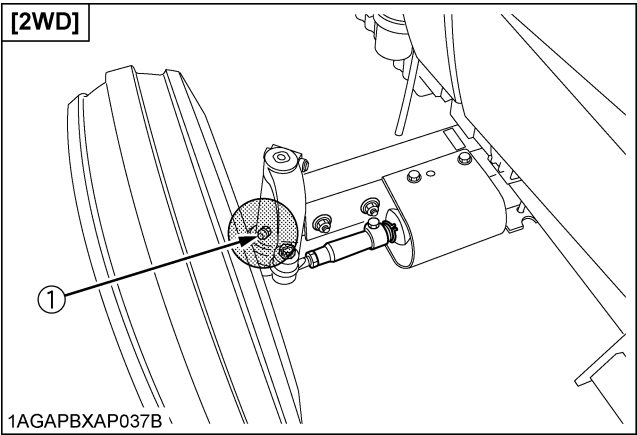
Otherwise, the machine may get damaged.

EVERY 50 HOURS

■ Lubricating Grease Fittings

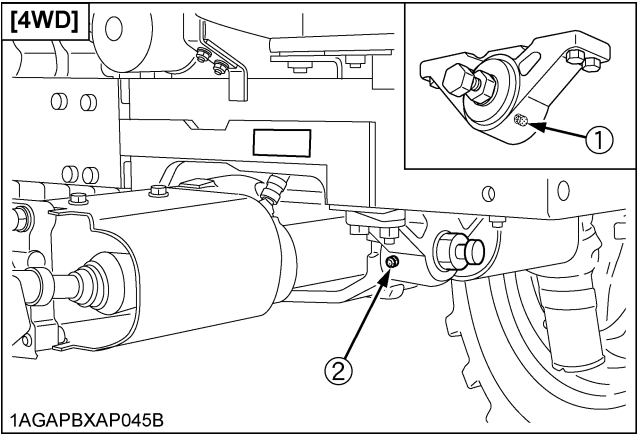
Apply a small amount of multipurpose grease to the following points every 50 hours:

If you operated the machine in extremely wet and muddy conditions, lubricate grease fittings more often.

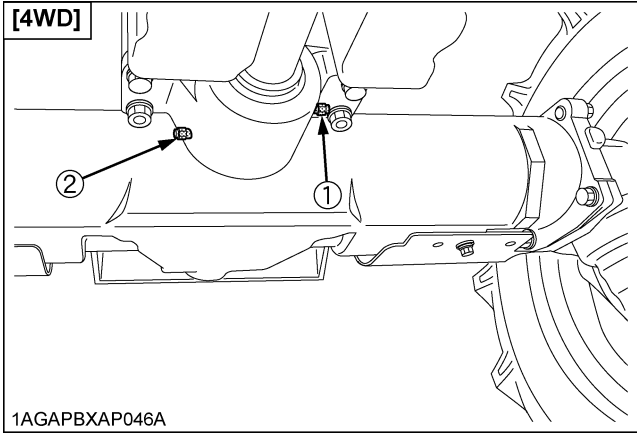


(1) Grease fitting (Knuckle shaft)[RH, LH]

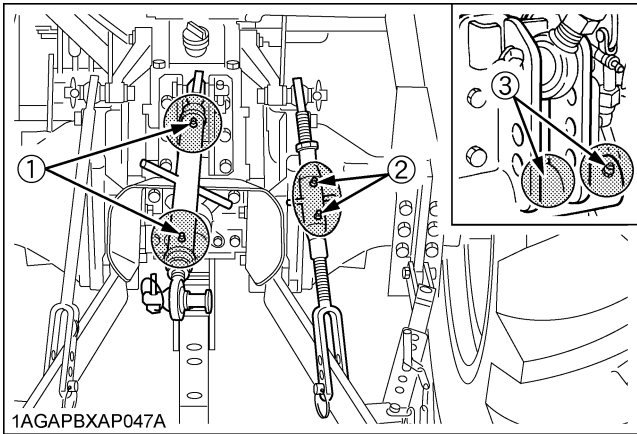
When apply grease to both front axle supports, apply grease until grease overflows from breather port.



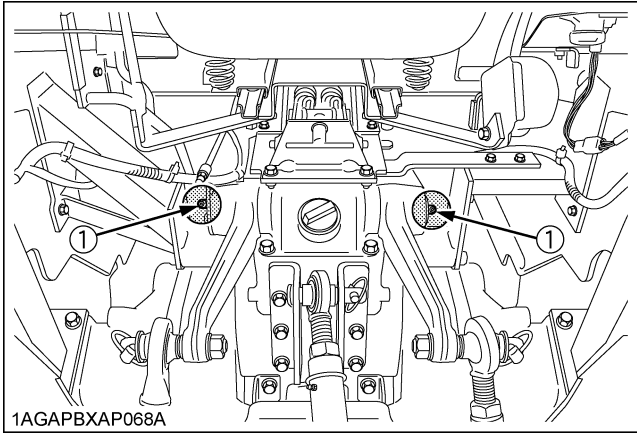
(1) Grease fitting (Front axle support)
(2) Breather



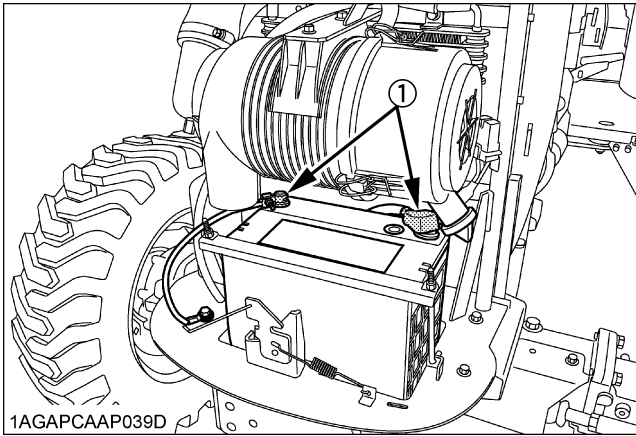
(1) Grease fitting (Front axle support)
(2) Breather



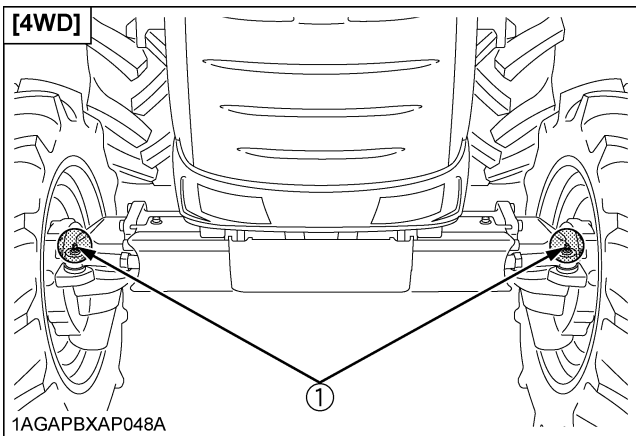
(1) Grease fitting (Top link)
(2) Grease fitting (Lifting rod) [RH]
(3) Grease fitting (Top link bracket)(with draft control)(if equipped)



(1) Grease fitting (Hydraulic arm axle)



(1) Battery terminals



(1) Grease fitting (Tie-rod ends)

■ Checking Engine Start System



CAUTION

To avoid personal injury:

- Do not allow anyone near the tractor while testing.
- If the tractor does not pass the test, do not operate the tractor.

◆ Preparation before testing.

1. Place all control levers in the "NEUTRAL" position.
2. Set the parking brake and stop the engine.

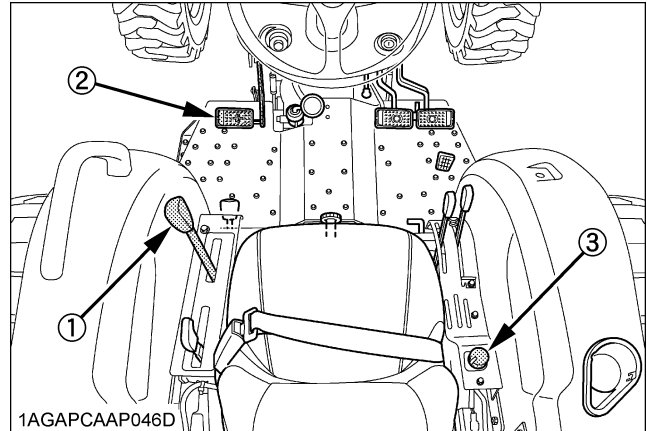
[Manual Transmission Type]

◆ Test: Switch for the shuttle shift lever.

1. Sit on the operator's seat
2. Shift the shuttle shift lever to the forward or reverse position.
3. Depress the clutch pedal fully.
4. Disengage the PTO clutch control switch or lever.
5. Turn the key to "START" position.
6. The engine must not crank.
7. If it cranks, consult your local KUBOTA Dealer for this service.

◆ Test: Switch for the PTO clutch control switch or lever.

1. Sit on the operator's seat.
2. Engage the PTO clutch control switch or lever.
3. Depress the clutch pedal fully.
4. Shift the shuttle shift lever to the neutral position.
5. Turn the key to "START" position.
6. The engine must not crank.
7. If it cranks, consult your local KUBOTA Dealer for this service.



(1) Shuttle shift lever
(2) Clutch pedal
(3) PTO clutch control switch

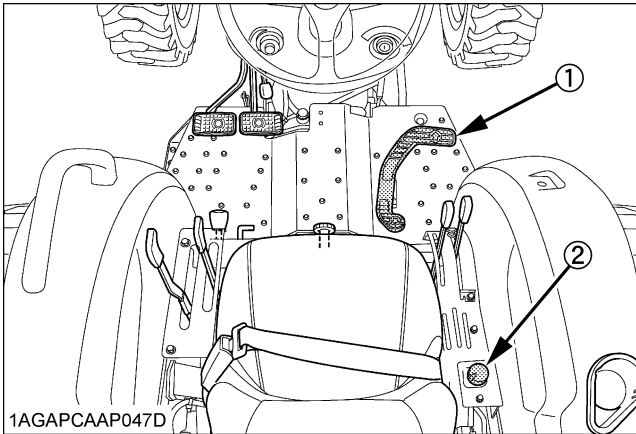
[HST Type]

◆ Test: Switch for the speed control pedal.

1. Sit on the operator's seat.
2. Depress the speed control pedal to the desired direction.
3. Disengage the PTO clutch control switch or lever.
4. Turn the key to "START" position.
5. The engine must not crank.
6. If it cranks, consult your local KUBOTA Dealer for this service.

◆ Test: Switch for the PTO clutch control switch or lever.

1. Sit on the operator's seat.
2. Engage the PTO clutch control switch or lever.
3. Place the speed control pedal in neutral position.
4. Turn the key to "START" position.
5. The engine must not crank.
6. If it cranks, consult your local KUBOTA Dealer for this service.



(1) Speed control pedal
(2) PTO clutch control switch

■ Checking Operator Presence Control



CAUTION

To avoid personal injury:

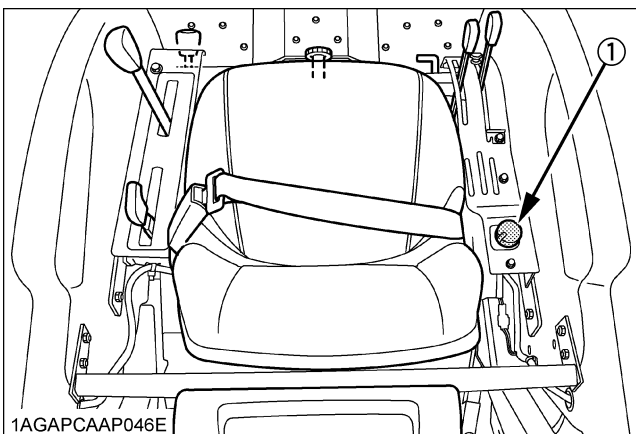
- Do not allow anyone near the tractor while testing.
- If the tractor does not pass the test, do not operate the tractor.

◆ Preparation before testing.

1. Place all control levers in the "NEUTRAL" position.
2. Set the parking brake and stop the engine.

◆ Test: Switch for the operator's seat

1. Sit on the operator's seat.
2. Start the engine.
3. Engage the PTO clutch control switch or lever.
4. Stand up. (Do not get off the machine.)
5. The engine must shut off after approximately 1 second.
6. If it does not stop, consult your local KUBOTA Dealer for this service.



(1) PTO clutch control switch

■ Checking Wheel Bolt Torque

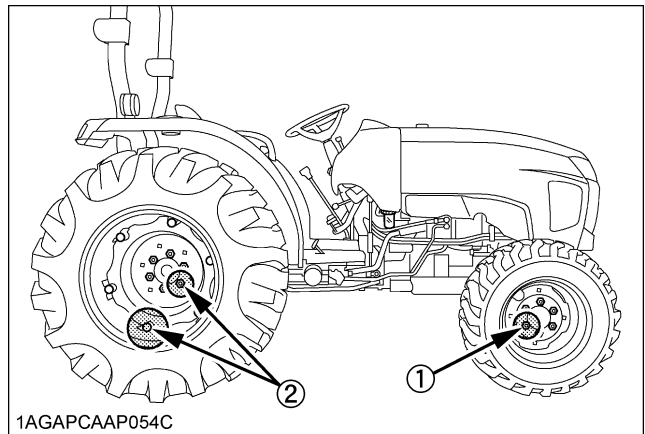


CAUTION

To avoid personal injury:

- Never operate tractor with a loose rim, wheel, or axle.
- Any time bolts and nuts are loosened, retighten to specified torque.
- Check all bolts and nuts frequently and keep them tight.

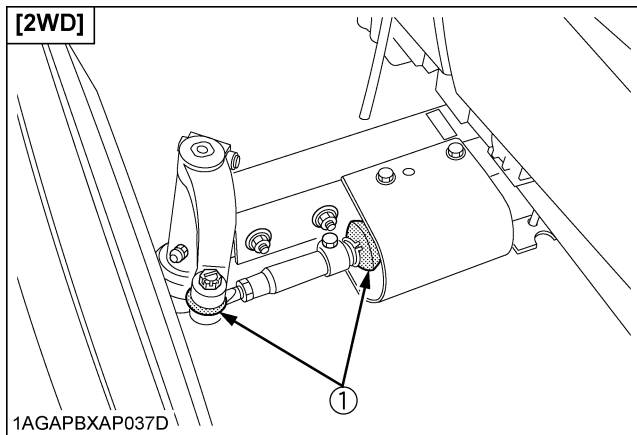
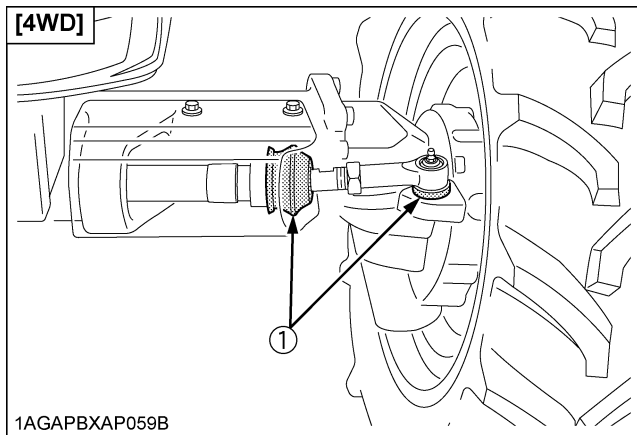
Check wheel bolts and nuts regularly especially when new. If they are loose, tighten them as follows.



(1) 124.0 to 147.0 N-m (12.6 to 15.0 kgf-m, 91.5 to 108.4 ft-lbs)
(2) 196.0 to 225.0 N-m (20.0 to 23.0 kgf-m, 144.6 to 166.0 ft-lbs)

■ Checking Tie-rod Dust Cover

1. Check to see that dust covers are not damaged.
2. If dust covers are damaged, consult local KUBOTA Dealer for this service.



(1) Dust cover

IMPORTANT :

- If dust covers are cracked, water and dust invade into tie-rod and it will be early wear.

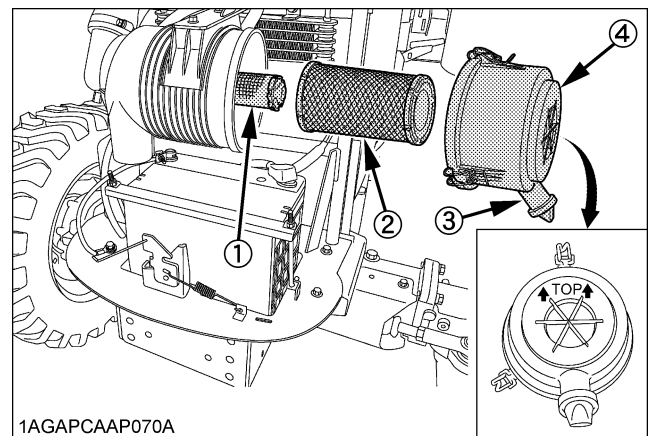
EVERY 100 HOURS

■ Cleaning Air Cleaner Primary Element

1. Remove the air cleaner cover and primary element.
2. Clean the primary element:
 - (1) When dry dust adheres to the element, blow compressed air from the inside, turning the element. Pressure of compressed air must be under 205 kPa (2.1 kgf/cm², 30 psi).
 - (2) When carbon or oil adheres to the element, soak the element in detergent for 15 minutes then wash it several times in water, rinse with clean water and dry it naturally. After element is fully dried, inspect inside of the element with a light and check if it is damaged or not.
3. Replace air cleaner primary element:
Once yearly or after every sixth cleaning, whichever comes first.

NOTE :

- Check to see if the evacuator valve is blocked with dust.



- (1) Secondary (safety) element
- (2) Primary element
- (3) Evacuator valve
- (4) Cover

IMPORTANT :

- The air cleaner uses a dry element, never apply oil.
- Do not run the engine with filter element removed.
- Be sure to refit the cover with the arrow ↑ (on the rear of cover) upright. If the cover is improperly fitted, evacuator valve will not function and dust will adhere to the element.
- Do not touch the secondary element except in cases where replacing is required.
(See "Replacing Air Cleaner Secondary Element" in "EVERY 1 YEAR" in "PERIODIC SERVICE" section.)

◆ Evacuator Valve

Open the evacuator valve once a week under ordinary conditions - or daily when used in a dusty place - to get rid of large particles of dust and dirt.

■ Adjusting Fan Belt Tension

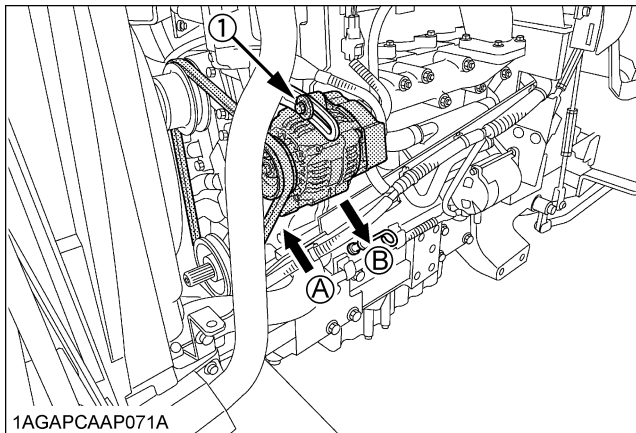


CAUTION
To avoid personal injury:

- Be sure to stop the engine before checking belt tension.

| | |
|-------------------------|---|
| Proper fan belt tension | A deflection is 12 mm (0.48 in.) when the belt is pressed (68.6 N [7 kgf, 15.4 lbs]) in the middle of the span. |
|-------------------------|---|

1. Stop the engine and remove the key.
2. Apply moderate thumb pressure to belt between pulleys.
3. If tension is incorrect, loosen the alternator mounting bolts and, using a lever placed between the alternator and the engine block, pull the alternator out until the deflection of the belt falls within acceptable limits.
4. Replace fan belt if it is damaged.

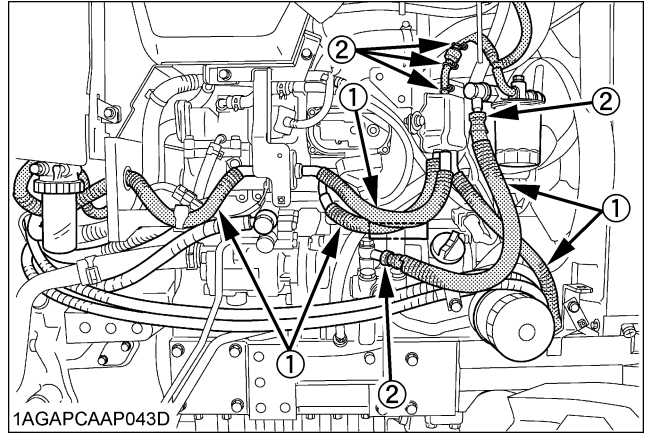


(1) Bolt

(A) Check the belt tension
(B) To tighten

■ Checking Fuel Line

1. Check to see that all lines and hose clamps are tight and not damaged.
2. If hoses and clamps are found worn or damaged, replace or repair them at once.



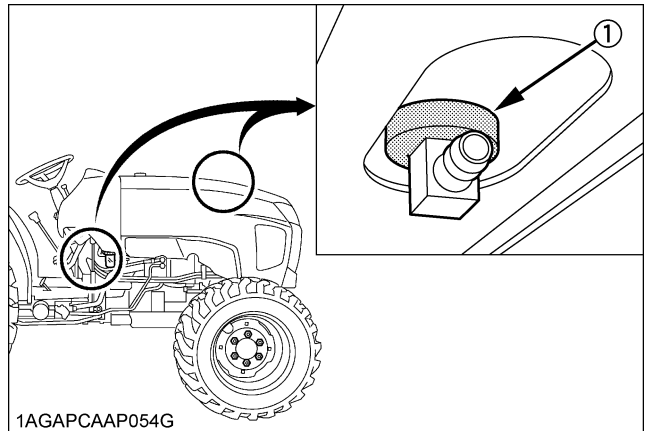
(1) Fuel lines
(2) Clamp bands

NOTE :

- If the fuel line is removed, be sure to properly bleed the fuel system.
(See "Bleeding Fuel System" in "SERVICE AS REQUIRED" in "PERIODIC SERVICE" section.)

■ Checking Fuel Grommet

1. Check the grommets for cracks and fuel leak.
2. If any of such problems is found, replace the grommet(s) with new one(s).



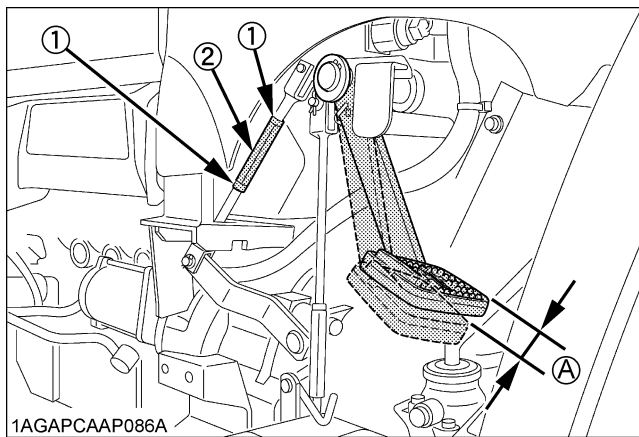
(1) Fuel grommet

■ Adjusting Clutch Pedal
[Manual Transmission Type]

| | |
|---------------------------------|---|
| Proper clutch pedal free travel | 20 to 30 mm (0.8 to 1.2 in.) on the pedal |
|---------------------------------|---|

◆ Adjusting procedure

1. Stop the engine and remove the key.
2. Slightly depress the clutch pedal and measure free travel at the top of pedal stroke.
3. If adjustment is needed, loosen the lock nut and turn the turnbuckle to adjust the rod length within acceptable limits.
4. Retighten the lock nut.



(1) Lock nut
 (2) Turnbuckle

(A) "FREE TRAVEL"

■ Adjusting Brake Pedal



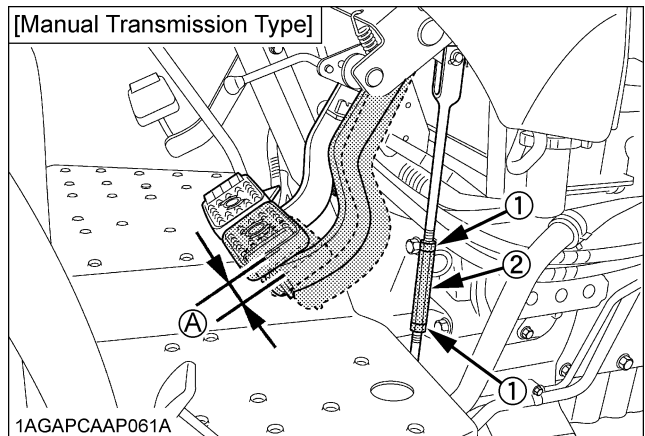
CAUTION

To avoid personal injury:

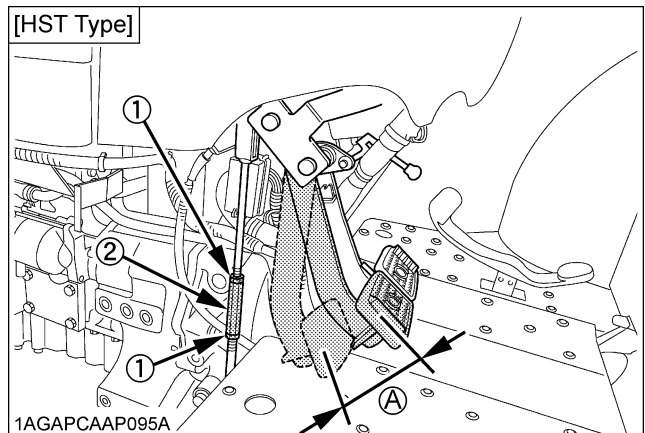
- Stop the engine and chock the wheels before checking brake pedal.

| | |
|--------------------------------|--|
| Proper brake pedal free travel | 15 to 20 mm (0.6 to 0.8 in.) on the pedal |
| | Keep the free travel in the right and left brake pedals equal. |

1. Release the parking brake.
2. Slightly depress the brake pedals and measure free travel at the top of pedal stroke.
3. If adjustment is needed, loosen the lock nut and turn the turnbuckle to adjust the rod length within acceptable limits.
4. Retighten the lock nut.



1AGAPCAAP061A



1AGAPCAAP095A

(1) Lock nut
 (2) Turnbuckle

(A) "FREE TRAVEL"

■ Checking Battery Condition

DANGER

To avoid the possibility of battery explosion:
For the refillable type battery, follow the instructions below.

- Do not use or charge the refillable type battery if the fluid level is below the LOWER (lower limit level) mark. Otherwise, the battery component parts may prematurely deteriorate, which may shorten the battery's service life or cause an explosion. Check the fluid level regularly and add distilled water as required so that the fluid level is between the UPPER and LOWER levels.

CAUTION

To avoid personal injury:

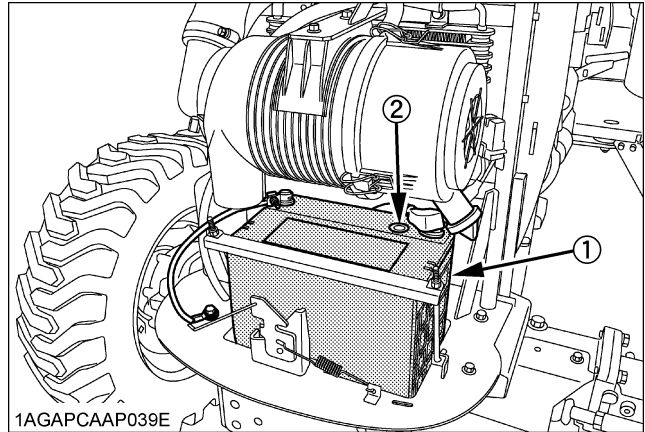
- Never remove the battery cap while the engine is running.
- Keep electrolyte away from eyes, hands and clothes. If you are spattered with it, wash it away completely with water immediately and get medical attention.
- Keep open sparks and flames away from the battery at all times. Hydrogen gas mixed with oxygen becomes very explosive.
- Wear eye protection and rubber gloves when working around battery.

The factory-installed battery is of non-refillable type. If the indicator turns white, do not charge the battery but replace it with new one.

Mishandling the battery shortens the service life and adds to maintenance costs.

The original battery is maintenance free, but needs some servicing.

If the battery is weak, the engine will be difficult to start and the lights will be dim. It is important to check the battery periodically.



(1) Battery
(2) Indicator

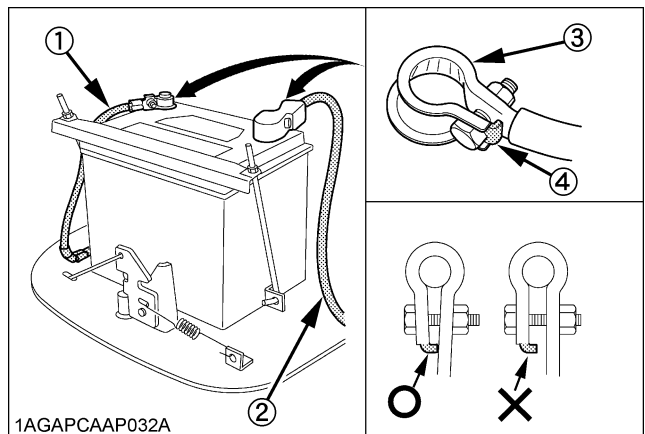
◆ How to read the indicator

Check the battery condition by reading the indicator.

| State of indicator display | |
|----------------------------|--|
| Green | Specific gravity of electrolyte and quality of electrolyte are both in good condition. |
| Black | Needs charging battery. |
| White | Needs replacing battery. |

◆ Battery Cable Connections

1. Be sure to wire the battery cable as shown in the figure.
2. Tighten the terminal until the stopper comes in contact.



(1) Negative cable (3) Terminal
(2) Positive cable (4) Stopper

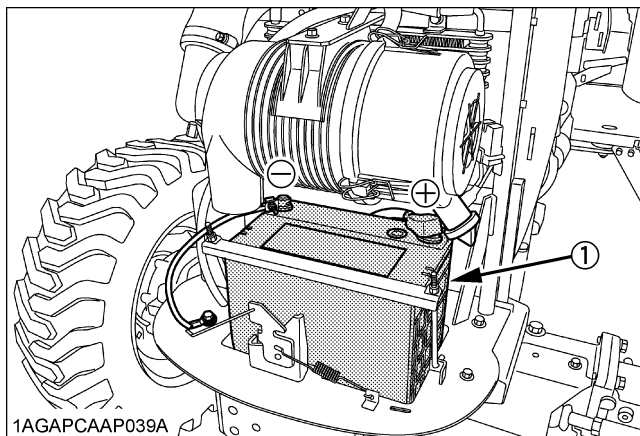
◆ Battery Charging



CAUTION

To avoid personal injury:

- When the battery is being activated, hydrogen and oxygen gases in the battery are extremely explosive. Keep open sparks and flames away from the battery at all times, especially when charging the battery.
- When charging the battery, ensure the vent caps are securely in place. (if equipped)
- When disconnecting the cable from the battery, start with the negative terminal first. When connecting the cable to the battery, start with the positive terminal first.
- Never check battery charge by placing a metal object across the posts. Use a voltmeter or hydrometer.



(1) Battery

1. To slow charge the battery, connect the battery positive terminal to the charger positive terminal and the negative to the negative, then recharge in the standard fashion.
2. A boost charge is only for emergencies. It will partially charge the battery at a high rate and in a short time. When using a boost-charged battery, it is necessary to recharge the battery as early as possible. Failure to do this will shorten the battery's service life.
3. The battery is charged if the indicator display turns green from black.
4. When exchanging an old battery for a new one, use battery of equal specification shown in **table 1**.

Table 1

| Battery Type | Volts (V) | Reserve capacity (min) | CCA (SAE) (A) | Normal Charging Rate (A) |
|--------------|-----------|------------------------|---------------|--------------------------|
| 80D26R | 12 | 120 | 600 | 7.5 |

CCA : Cold Cranking Ampere

◆ Direction for Storage

1. When storing the tractor for long periods of time, remove the battery from tractor, adjust the electrolyte to the proper level and store in a dry place out of direct sunlight.
2. The battery self-discharges while it is stored. Recharge it once every 3 months in hot seasons and once every 6 months in cold seasons.

EVERY 200 HOURS

■ Replacing Transmission Oil Filter [HST Type]

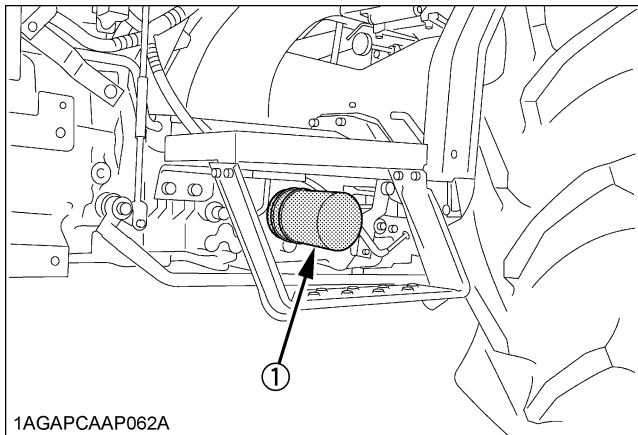


CAUTION

To avoid personal injury:

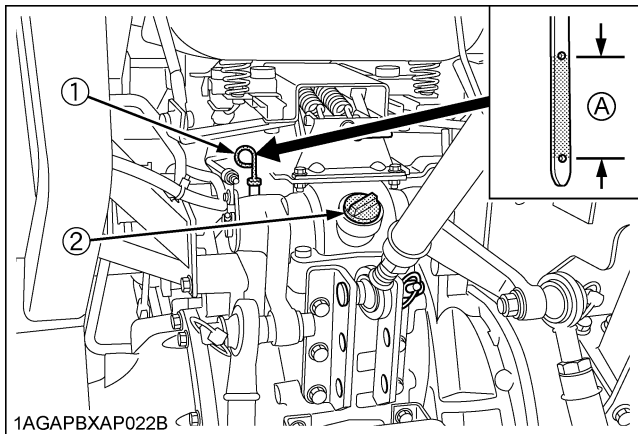
- Be sure to stop the engine before changing the oil filter cartridge.
- Allow engine to cool down sufficiently, oil can be hot and can burn.

1. Place the oil pan underneath the transmission oil filter and remove the filter.
Do not remove the hydraulic oil filter. Otherwise, the oil comes out.



(1) Transmission oil filter [HST Type]

2. Put a film of clean transmission oil on the rubber seal of the new filter.
3. Quickly tighten the filter until it contacts the mounting surface, then, with a filter wrench, tighten it an additional 1 turn only.
4. After the new filter has been replaced, fill the transmission oil up to the upper notch on the dipstick.



(1) Dipstick (A) Oil level is acceptable within this range.
(2) Oil inlet

5. After running the engine for a few minutes, stop the engine and check the oil level again, add oil to the prescribed level.
6. Make sure that the transmission fluid doesn't leak past the seal on the filter.

IMPORTANT :

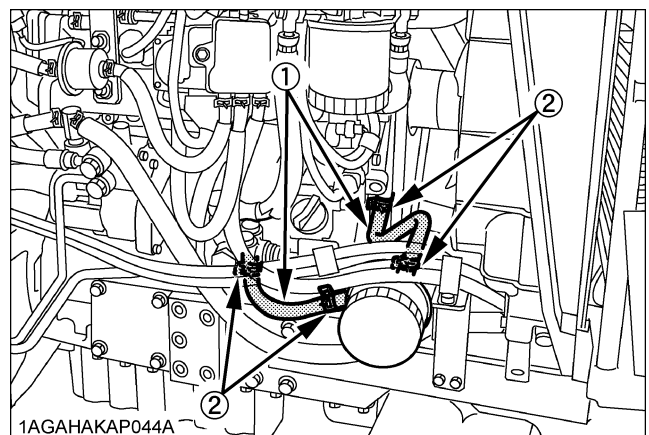
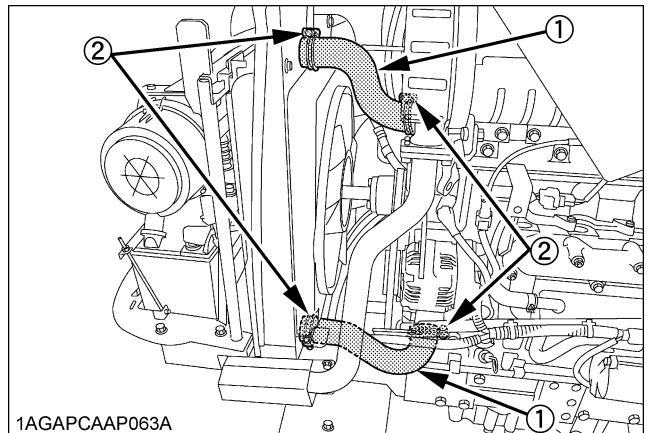
- To prevent serious damage to the hydraulic system, use only a KUBOTA genuine filter.
- Do not operate the tractor immediately after changing the transmission fluid.
Run the engine at medium speed for a few minutes to prevent damage to the transmission.

■ Checking Radiator Hose and Clamp

Check to see if radiator hoses are properly fixed every 200 hours of operation or 6 months, whichever comes first.

1. If hose clamps are loose or water leaks, tighten bands securely.
2. Replace hoses and tighten hose clamps securely, if radiator hoses are swollen, hardened or cracked.

Replace hoses and hose clamps every 2 years or earlier if checked and found that hoses are swollen, hardened or cracked.



(1) Radiator hoses
(2) Clamp bands

◆ **Precaution at Overheating**

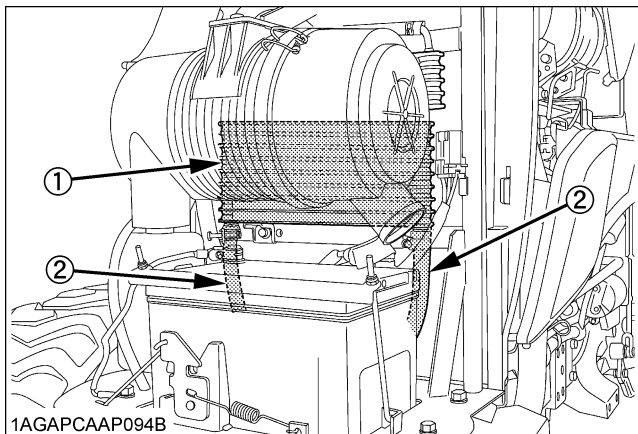
Take the following actions in the event the coolant temperature is nearly or more than the boiling point, what is called "Overheating"

1. Park the tractor in a safe place and keep the engine unloaded idling.
2. Don't stop the engine suddenly, but stop it after about 5 minutes of unloaded idling.
3. Keep yourself well away from the machine for further 10 minutes or while the steam blows out.
4. Check that there are no dangers such as burns. Get rid of the causes of overheating according to the manual, see "TROUBLESHOOTING" section, and then, start again the engine.

■ **Checking Oil Cooler Line**

[HST Type]

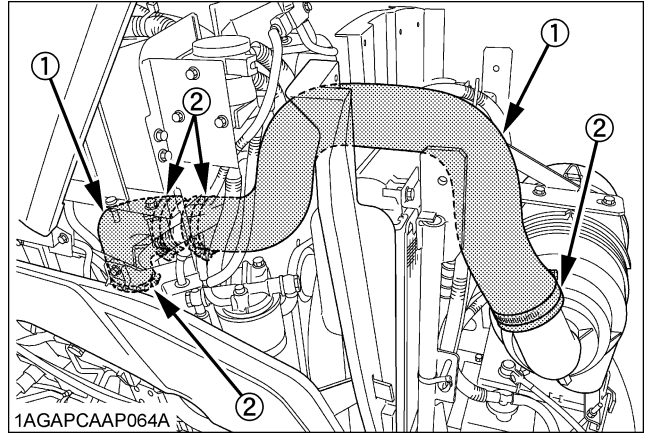
1. Check to see that all lines and hose clamps are tight and not damaged.
2. If hoses and clamps are found worn or damaged, replace or repair them at once.



(1) Oil cooler
(2) Oil cooler line

■ **Checking Intake Air Line**

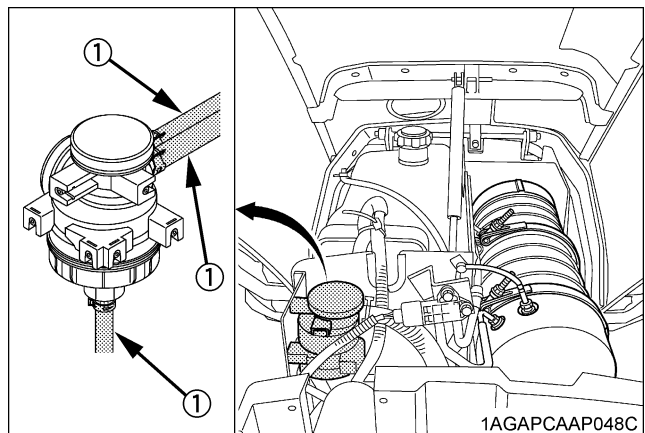
1. Check to see that hoses and hose clamps are tight and not damaged.
2. If hoses and clamps are found worn or damaged, replace or repair them at once.



(1) Hose
(2) Hose clamps

■ **Checking Oil Separator Hose**

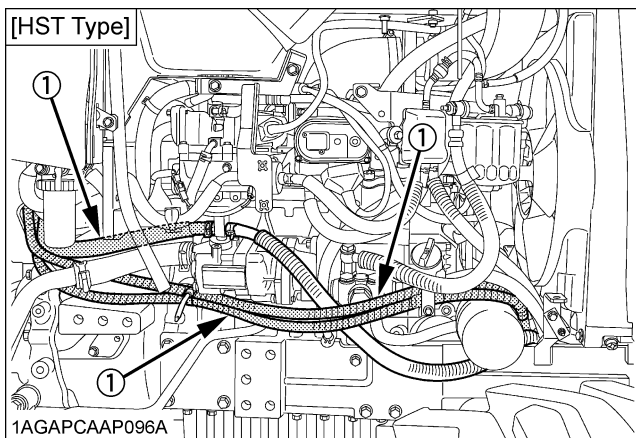
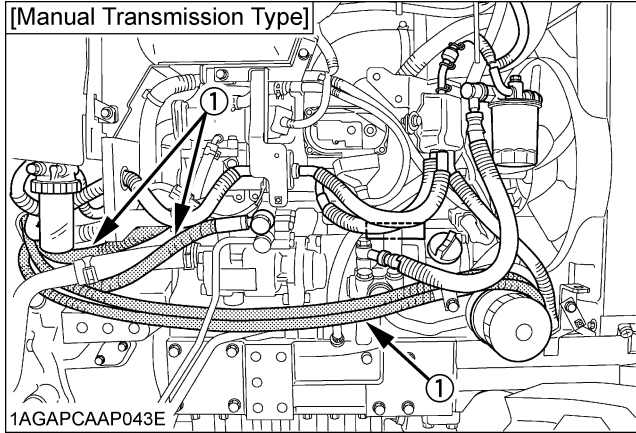
1. Check to see that all hoses and hose clamps are tight and not damaged.
2. If hoses and clamps are found worn or damaged, replace or repair them at once.



(1) Oil separator hoses

■Checking Power Steering Line

1. Check to see that all lines and hose clamps are tight and not damaged.
2. If hoses and clamps are found worn or damaged, replace or repair them at once.

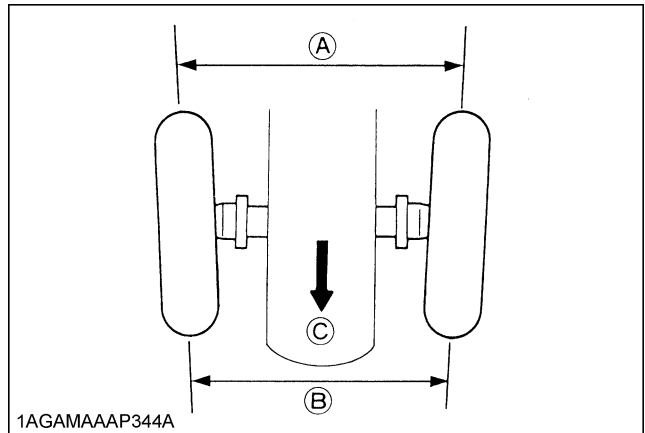


(1) Power steering pressure hoses

■Adjusting Toe-in

| | |
|---------------|------------------------------|
| Proper toe-in | 2 to 8 mm (0.08 to 0.31 in.) |
|---------------|------------------------------|

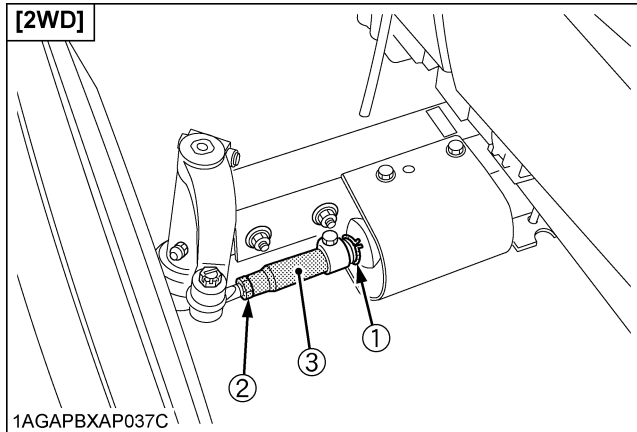
1. Park tractor on a flat place.
2. Turn steering wheel so front wheels are in the straight ahead position.
3. Lower the implement, lock the park brake and stop the engine.
4. Measure distance between tire beads at front of tire, at hub height.
5. Measure distance between tire beads at rear of tire, at hub height.
6. Front distance should be shorter than rear distance. If not, adjust tie rod length.



(A) Wheel - to - wheel distance at rear
 (B) Wheel - to - wheel distance at front
 (C) "FRONT"

◆ **Adjusting procedure [2WD]**

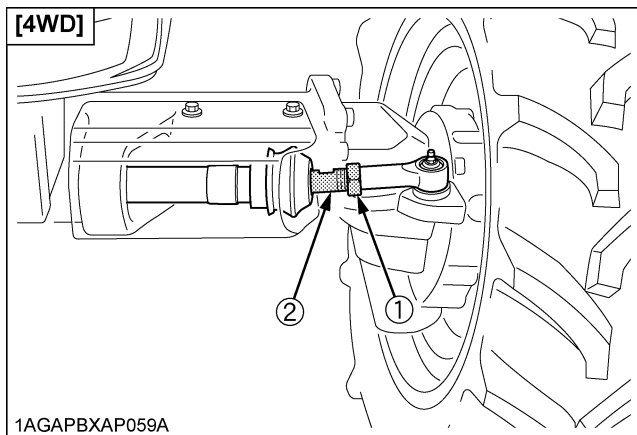
1. Detach the snap ring.
2. Loosen the tie-rod nut.
3. Turn the tie-rod joint to adjust the rod length until the proper toe-in measurement is obtained.
4. Retighten the tie-rod nut.
5. Attach the snap ring of the tie-rod joint.



- (1) Snap ring
 (2) Tie-rod nut
 (83.3 to 88.2 N-m, 8.5 to 9.0 kgf-m, 61.4 to 65 ft-lbs)
 (3) Tie-rod joint

◆ **Adjusting procedures [4WD]**

1. Loosen the tie-rod nut.
2. Turn the tie-rod joint to adjust the rod length until the proper toe-in measurement is obtained.
3. Retighten the tie-rod nut.



- (1) Tie-rod nut
 (167 to 196 N-m, 17 to 20 kgf-m, 123.2 to 144.6 ft-lbs)
 (2) Tie-rod joint

EVERY 400 HOURS

■ **Changing Engine Oil**



CAUTION

To avoid personal injury:

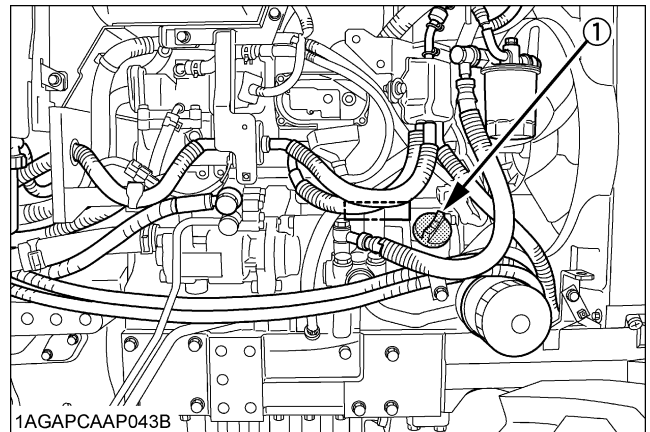
- Be sure to stop the engine before changing the oil.
- Allow engine to cool down sufficiently, oil can be hot and can burn.

1. To drain the used oil, remove the drain plug at the bottom of the engine and drain the oil completely into the oil pan.
 All the used oil can be drained out easily when the engine is still warm.
2. After draining reinstall the drain plug.
3. Fill with the new oil up to the upper notch on the dipstick.
 (See "LUBRICANTS" in "MAINTENANCE" section.)

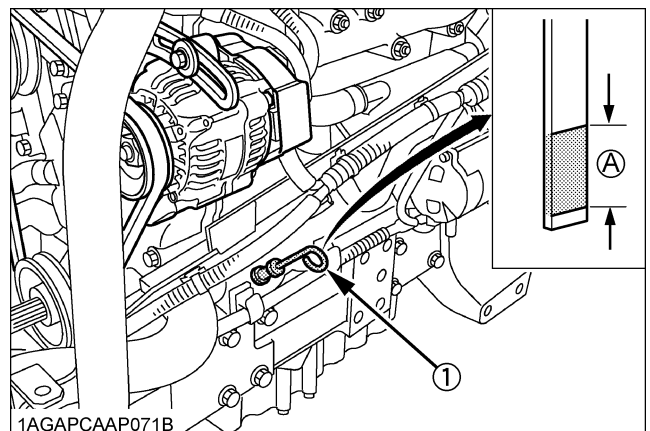
| | |
|--------------------------|----------------------|
| Oil capacity with filter | 8.2 L (8.7 U.S.qts.) |
|--------------------------|----------------------|

IMPORTANT :

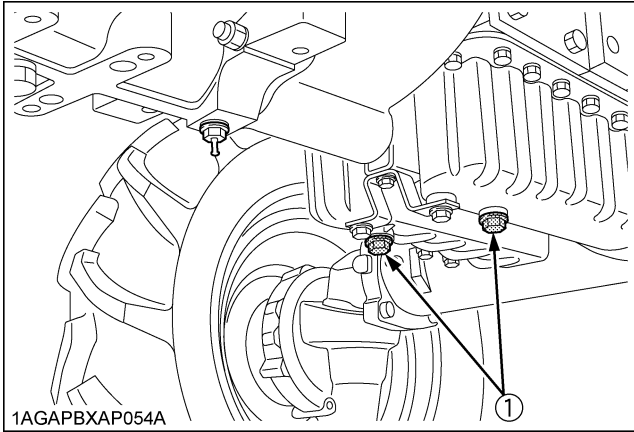
- Use DPF-compatible oil (CJ-4) for the engine.



(1) Oil inlet



(1) Dipstick (A) Oil level is acceptable within this range



(1) Drain plug

■ Replacing Engine Oil Filter



CAUTION

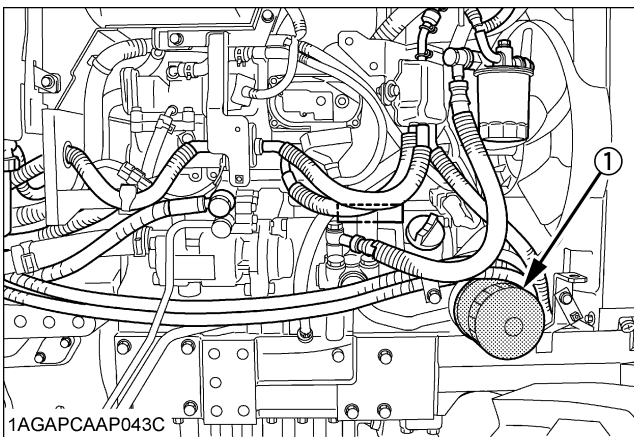
To avoid personal injury:

- Be sure to stop the engine before changing the oil filter cartridge.
- Allow engine to cool down sufficiently, oil can be hot and can burn.

1. Remove the oil filter.
2. Put a film of clean engine oil on the rubber seal of the new filter.
3. Tighten the filter quickly until it contacts the mounting surface.

Tighten filter by hand an additional 1/2 turn only.

4. After the new filter has been replaced, the engine oil normally decreases a little. Make sure that the engine oil does not leak through the seal and be sure to check the oil level on the dipstick. Then, replenish the engine oil up to the prescribed level.



(1) Engine oil filter

IMPORTANT :

- To prevent serious damage to the engine, use only a KUBOTA genuine filter.

■ Changing Transmission Fluid / Replacing Hydraulic Oil Filter

◆ Cleaning Magnetic Filter

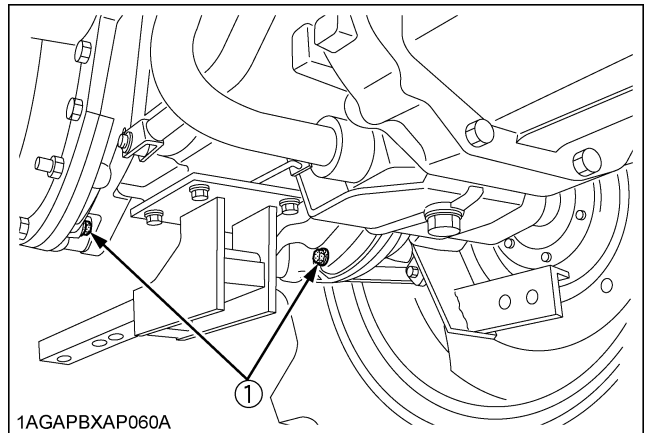


CAUTION

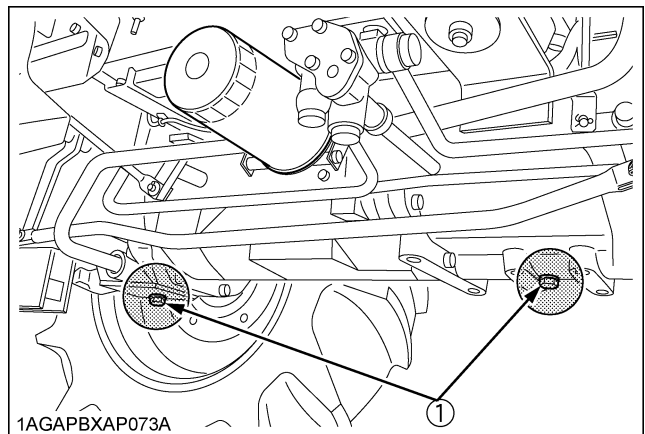
To avoid personal injury:

- Be sure to stop the engine before changing the oil filter cartridge.
- Allow engine to cool down sufficiently, oil can be hot and can burn.

1. Remove the drain plugs at the bottom of the transmission case and drain the oil completely into the oil pan.
2. After draining reinstall the drain plugs.

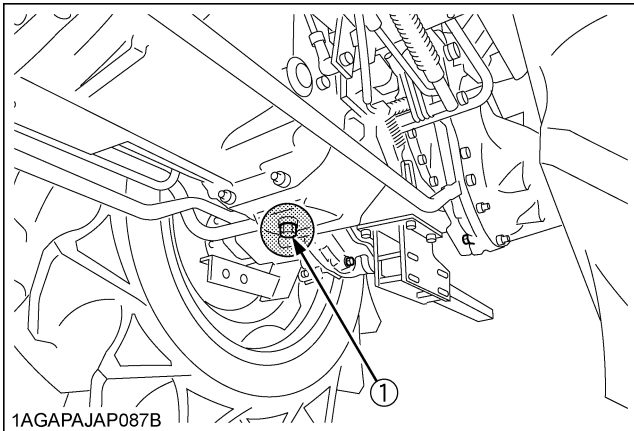


[Manual Transmission Type]



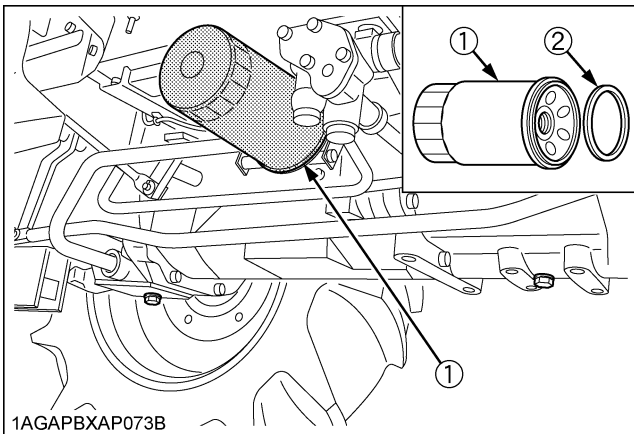
(1) Drain plugs

[HST Type]



(1) Drain plug

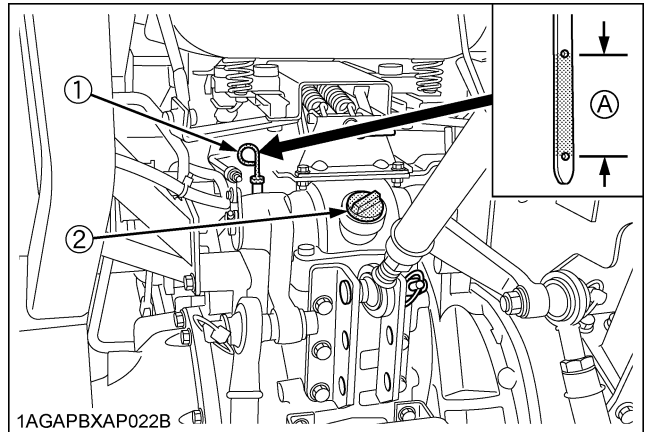
3. Remove the oil filter.
4. Wipe off metal filings from the magnetic filter with a clean rag.



(1) Hydraulic oil filter
(2) Magnetic filter (Wipe off metal filings)

5. Put a film of clean transmission oil on the rubber seal of the new filter.
6. Quickly tighten the filter until it contacts the mounting surface, then tighten it by hand an additional 1/2 turn only.
7. Fill with the new KUBOTA SUPER UDT fluid up to the upper notch on the dipstick.
(See "LUBRICANTS" in "MAINTENANCE" section.)
8. After running the engine for a few minutes, stop the engine and check the oil level again, add oil to the prescribed level.
9. Make sure that the transmission fluid doesn't leak past the seal on the filter.

| | |
|--------------|-----------------------|
| Oil capacity | 40 L (10.6 U.S.gals.) |
|--------------|-----------------------|



(1) Dipstick (A) Oil level is acceptable within this range.
(2) Oil inlet

IMPORTANT :

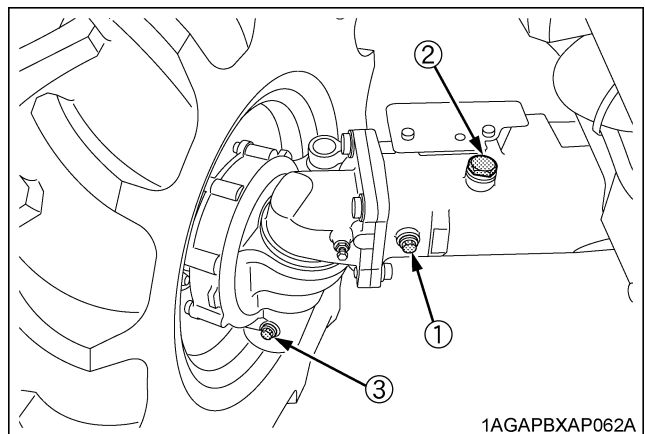
- To prevent serious damage to the hydraulic system, use only a KUBOTA genuine filter.
- Do not operate the tractor immediately after changing the transmission fluid.
Run the engine at medium speed for a few minutes to prevent damage to the transmission.

Changing Front Axle Case Oil

[4WD]

1. To drain the used oil, remove the right and left drain plugs and filling plug at the front axle case and drain the oil completely into the oil pan.
2. After draining reinstall the drain plugs.
3. Remove the oil level check plug.
4. Fill with the new oil up to the check plug port.
(See "LUBRICANTS" in "MAINTENANCE" section.)
5. After filling reinstall the filling plug and check plug.

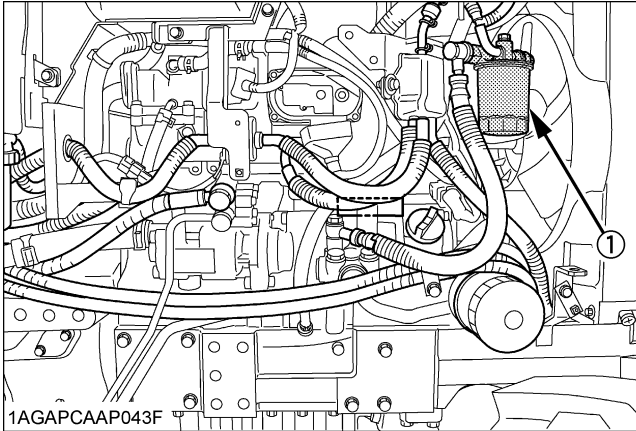
| | |
|--------------|---------------------|
| Oil capacity | 6.5L (6.9 U.S.qts.) |
|--------------|---------------------|



(1) Check plug
(2) Filling plug
(3) Drain plug

■ Replacing Fuel Filter

1. Remove the fuel filter.
2. Put a film of clean fuel on rubber seal of new filter.
3. Tighten the filter quickly until it contacts the mounting surface.
Tighten filter by hand an additional 1/2 turn only.
4. Bleed the fuel system.
(See "Bleeding Fuel System" in "SERVICE AS REQUIRED" in "PERIODIC SERVICE" section.)

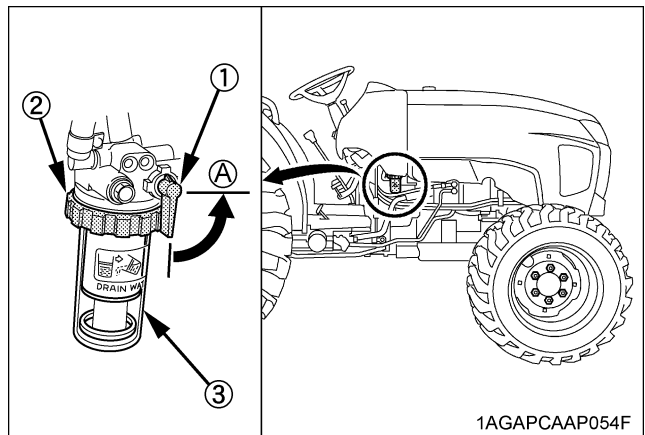


(1) Fuel filter

■ Cleaning Water Separator

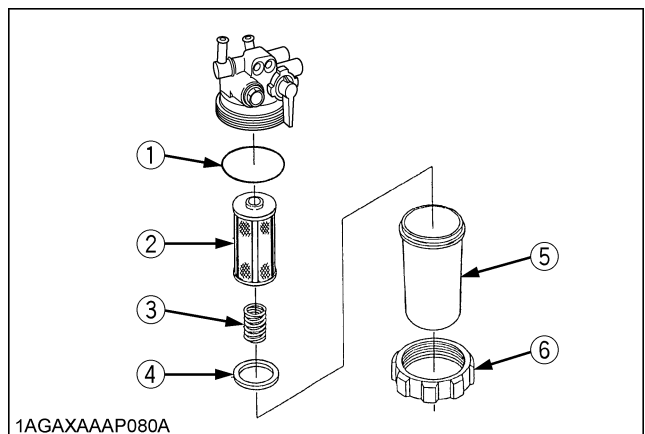
This job should not be done in the field, but in a clean place.

1. Close the fuel cock.
2. Unscrew the retainer ring and remove the cup, and rinse the inside with kerosene.
3. Take out the element and dip it in the kerosene to rinse.
4. After cleaning, reassemble the water separator, keeping out dust and dirt.
5. Bleed the fuel system.
(See "Bleeding Fuel System" in "SERVICE AS REQUIRED" in "PERIODIC SERVICE" section.)



- (1) Fuel cock
(2) Retainer ring
(3) Cup

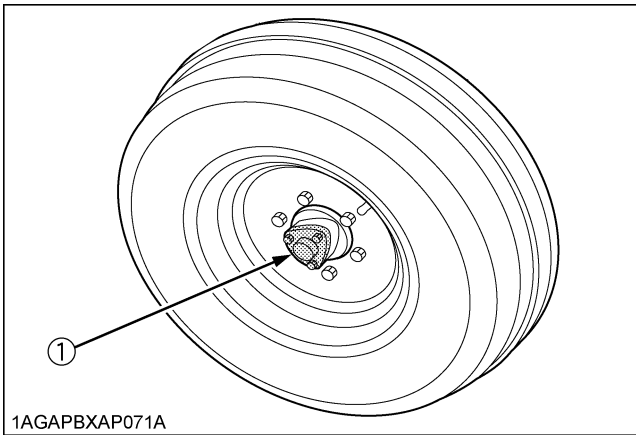
(A) "CLOSE"



- (1) O ring
(2) Element
(3) Spring
(4) Red float
(5) Cup
(6) Retainer ring

■ Lubricating Grease Fitting [2WD Model]

Detach the cover, and apply bearing grease.



(1) Front wheel hub cover

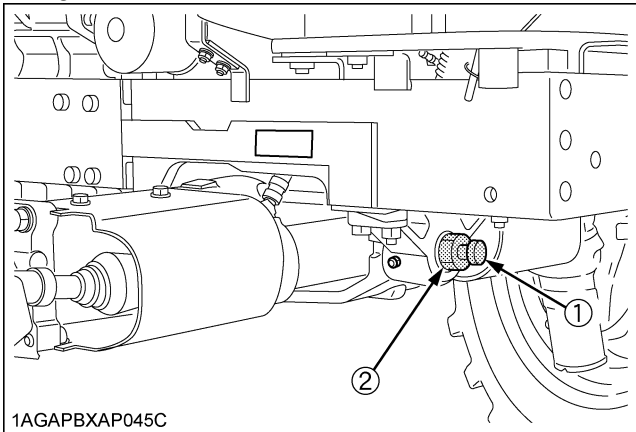
EVERY 600 HOURS

■ Adjusting Front Axle Pivot

If the front axle pivot pin adjustment is not correct, front wheel vibration can occur causing vibration in the steering wheel.

◆ Adjusting procedure

Loosen the lock nut, screw-in the adjusting screw until seated, then tighten the screw with an additional 1/6 turn. Re-tighten the lock nut.



(1) Adjusting screw
(2) Lock nut

EVERY 800 HOURS

■ Adjusting Engine Valve Clearance

Consult your local KUBOTA Dealer for this service.

EVERY 1500 HOURS

■ Cleaning Fuel Injector Nozzle Tip

Consult your local KUBOTA Dealer for this service.

■ Replacing Oil Separator Element

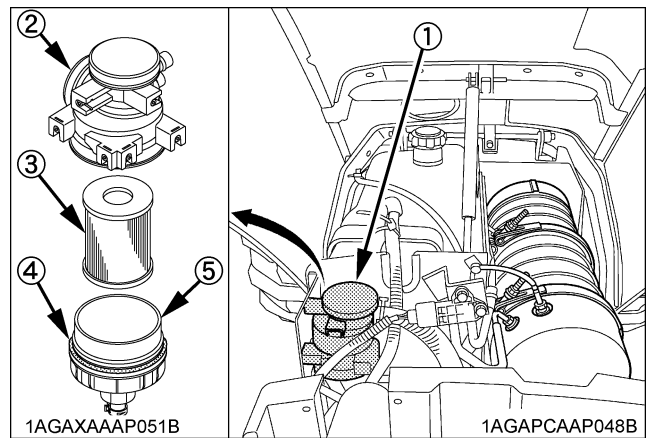


CAUTION

To avoid personal injury:

- Be sure to stop the engine before replacing the oil separator element.

1. Remove the cover and take out the element. Wipe off oil and the carbon in the case with a clean rag.
2. Fit a new oil separator element.
3. Tighten the cover.



(1) Oil separator
(2) Body
(3) Oil separator element
(4) Gasket
(5) Cover

■ Checking PCV (Positive Crankcase Ventilation) Valve

Consult your local KUBOTA Dealer for this service.

■ Checking and Cleaning EGR Cooler

Consult your local KUBOTA Dealer for this service.

EVERY 3000 HOURS

■ Checking Supply Pump

Consult your local KUBOTA Dealer for this service.

■ Checking and Cleaning EGR System

Consult your local KUBOTA Dealer for this service.

■ Cleaning DPF Muffler

◆ Removal of ash

The longer the DPF operates, the more ash (burnt residue) is collected in the filter. Too much ash build-up adversely affects the DPF performance. Consult your local KUBOTA Dealer to clean the filter.

IMPORTANT :

- The DPF needs cleaning with a specific cleaning device. Do not clean the DPF by disassembling, and attempt by yourself, consult your local KUBOTA Dealer.

EVERY 1 YEAR

■ Replacing Air Cleaner Primary Element and Secondary Element

(See "Cleaning Air Cleaner Primary Element" in "EVERY 100 HOURS" in "PERIODIC SERVICE" section.)

■ Checking Exhaust Manifold

Consult your local KUBOTA Dealer for this service.

■ Checking DPF Differential Pressure Sensor Pipe

Consult your local KUBOTA Dealer for this service.

■ Checking EGR Pipe

Consult your local KUBOTA Dealer for this service.

EVERY 2 YEARS

■ Flushing Cooling System and Changing Coolant



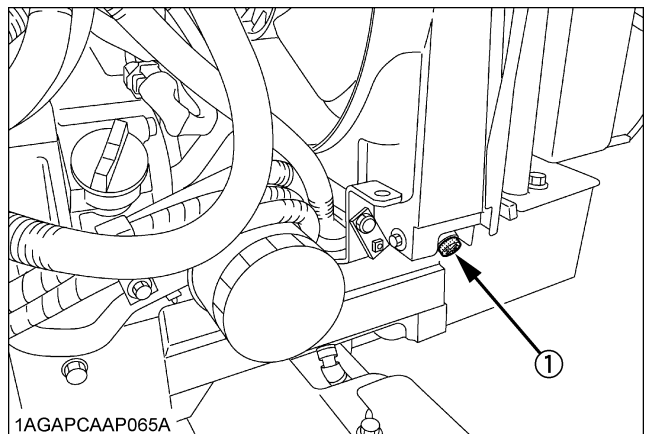
CAUTION

To avoid personal injury:

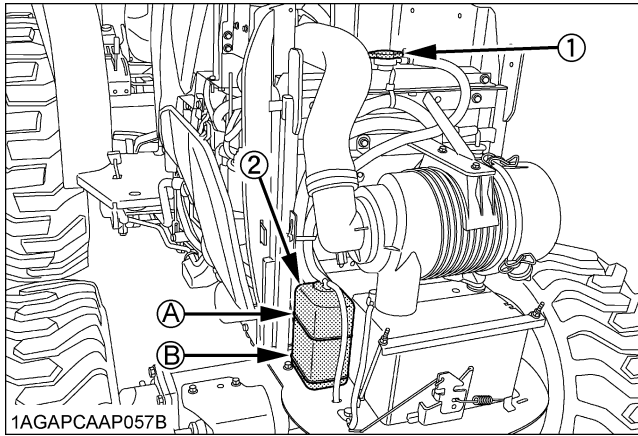
- Do not remove radiator cap while coolant is hot. When cool, slowly rotate cap to the first stop and allow sufficient time for excess pressure to escape before removing the cap completely.

1. Stop the engine, remove the key and let it cool down.
2. To drain the coolant, open the radiator drain plug and remove radiator cap. The radiator cap must be removed to completely drain the coolant.
3. After all coolant is drained, reinstall the drain plug.
4. Fill with clean soft water and cooling system cleaner.
5. Follow directions of the cleaner instruction.
6. After flushing, fill with clean soft water and anti-freeze until the coolant level is just below the radiator cap. Install the radiator cap securely.
7. Fill with coolant up to the "FULL" mark of recovery tank.
8. Start and operate the engine for few minutes.
9. Stop the engine, remove the key and let cool.
10. Check coolant level of recovery tank and add coolant if necessary.
11. Properly dispose of used coolant.

| | Coolant capacity |
|---------------|----------------------|
| Radiator | 6.5 L (6.9 U.S.qts.) |
| Recovery tank | 0.6 L (0.6 U.S.qts.) |



(1) Drain plug



(1) Radiator cap (A) "FULL"
 (2) Recovery tank (B) "LOW"

IMPORTANT :

- Do not start engine without coolant.
- Use clean, fresh soft water and anti-freeze to fill the radiator and recovery tank.
- When mixing the anti-freeze with water, the anti-freeze mixing ratio is 50 %.
- Securely tighten radiator cap. If the cap is loose or improperly fitted, water may leak out and the engine could overheat.

■ **Anti-Freeze**

CAUTION

To avoid personal injury:

- When using antifreeze, put on some protection such as rubber gloves (Antifreeze contains poison.).
- If it is swallowed, seek immediate medical help. Do NOT make a person throw up unless told to do so by poison control or a health care professional. Use standard first aid and CPR for signs of shock or cardiac arrest. Call your local Poison Control Center or your local emergency number for further assistance.
- When antifreeze comes in contact with the skin or clothing, wash it off immediately.
- Do not mix different types of Antifreeze. The mixture can produce chemical reaction causing harmful substances.
- Antifreeze is extremely flammable and explosive under certain conditions. Keep fire and children away from antifreeze.
- When draining fluids from the engine, place some container underneath the engine body.
- Do not pour waste onto the grounds, down a drain, or into any water source.
- Also, observe the relevant environmental protection regulations when disposing of antifreeze.

Always use a 50/50 mix of long-life coolant and clean soft water in KUBOTA engines.

Consult your local KUBOTA Dealer concerning coolant for extreme conditions.

1. Long-life coolant (hereafter LLC) comes in several types. Use ethylene glycol (EG) type for this engine.
2. Before employing LLC-mixed cooling water, fill the radiator with fresh water and empty it again. Repeat this procedure 2 or 3 times to clean up the inside.
3. Mixing the LLC
 Premix 50% LLC with 50% clean soft water. When mixing, stir it up well, and then fill into the radiator.
4. The procedure for the mixing of water and antifreeze differs according to the make of the antifreeze and the ambient temperature. Refer to SAE J1034 standard, more specifically also to SAE J814c.

| Vol % Anti-freeze | Freezing Point | | Boiling Point* | |
|----------------------|----------------|-----|----------------|-----|
| | °C | °F | °C | °F |
| 50 | -37 | -34 | 108 | 226 |

* At 1.013 x 10⁵Pa (760mmHg) pressure (atmospheric). A higher boiling point is obtained by using a radiator pressure cap which permits the development of pressure within the cooling system.

5. Adding the LLC
 - (1) Add only water if the mixture reduces in amount by evaporation.
 - (2) If there is a mixture leak, add the LLC of the same manufacturer and type in the same mixture percentage.
 - * Never add any long-life coolant of different manufacturer. (Different brands may have different additive components, and the engine may fail to perform as specified.)
6. When the LLC is mixed, do not employ any radiator cleaning agent. The LLC contains anticorrosive agent. If mixed with the cleaning agent, sludge may build up, adversely affecting the engine parts.
7. Kubota's genuine long-life coolant has a service life of 2 years. Be sure to change the coolant every 2 years.

NOTE :

- The above data represent industry standards that necessitate a minimum glycol content in the concentrated antifreeze.

■ Replacing Radiator Hose (Water pipes)

Replace the hoses and clamps.

(See "Checking Radiator Hose and Clamp" in "EVERY 200 HOURS" in "PERIODIC SERVICE" section.)

■ Replacing Power Steering Hose

Consult your local KUBOTA Dealer for this service.

■ Replacing Fuel Hose

Consult your local KUBOTA Dealer for this service.

■ Replacing Fuel Grommet

Consult your local KUBOTA Dealer for this service.

■ Replacing Oil Cooler Line

[HST Type]

Consult your local KUBOTA Dealer for this service.

■ Replacing Intake Air Line

Consult your local KUBOTA Dealer for this service.

■ Replacing Oil Separator Hose

Consult your local KUBOTA Dealer for this service.

■ Replacing DPF Differential Pressure Sensor Hose

Consult your local KUBOTA Dealer for this service.

SERVICE AS REQUIRED

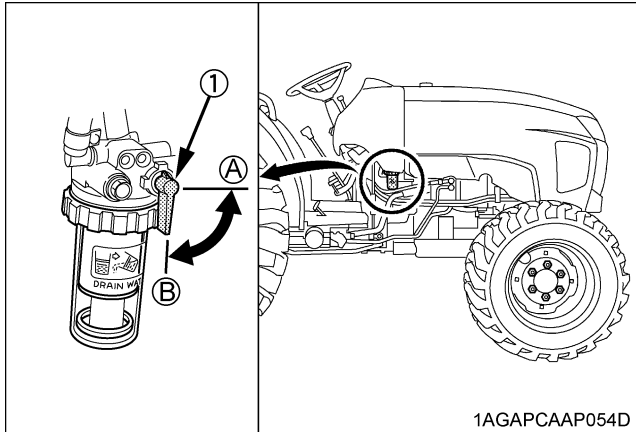
■ Bleeding Fuel System

Air must be removed:

1. When the fuel filter or lines are removed.
2. When water is drained from water separator.
3. When tank is completely empty.
4. After the tractor has not been used for a long period of time.

◆ Bleeding procedure is as follows:

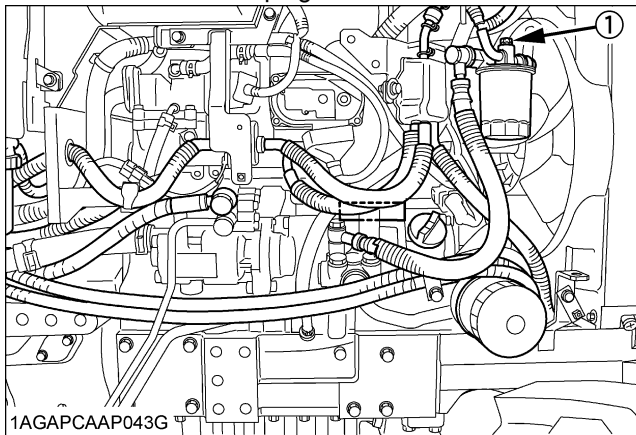
1. Fill the fuel tank with fuel, and open the fuel cock.



(1) Fuel cock

(A) "CLOSE"
(B) "OPEN"

2. Loosen the air vent plug on the fuel filter 2 turns or so.



(1) Air vent plug

3. Turn on the key switch and wait for about 1 minute. Then tighten up the air vent plug.
4. Set the hand throttle lever at the minimum speed position and turn the key to "START" position. If the engine doesn't start, try it several times at 30 second intervals.

IMPORTANT :

- Do not hold key switch at engine start position for more than 10 seconds continuously. If more engine cranking is needed, try again after 30 seconds.

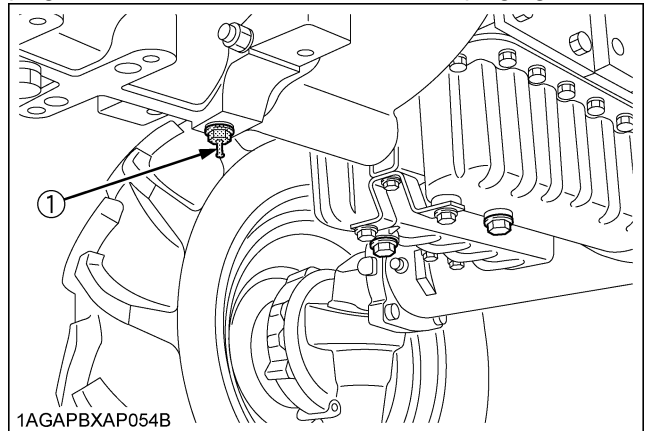
5. Accelerate the engine to remove the small portion of air left in the fuel system.
6. If air still remains and the engine stops, repeat the above steps.

■ Draining Clutch Housing Water

The tractor is equipped with split pin plug under the clutch housing.

After operating in rain, snow or tractor has been washed, water may get into the clutch housing. Check it by pushing in the split pin.

If water has entered into the clutch housing, remove the plug and drain the water, then install the plug again.



(1) Split pin plug

■ Replacing Fuse

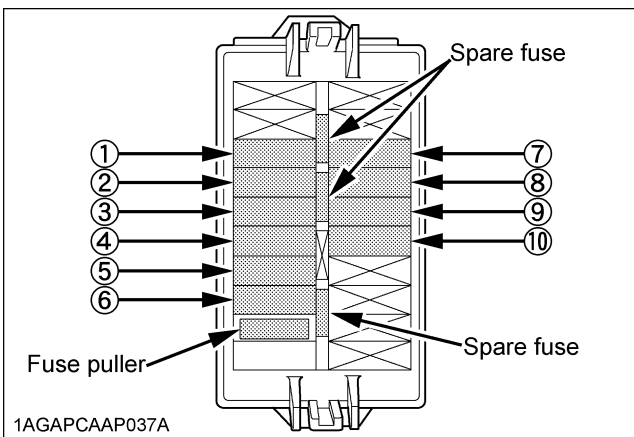
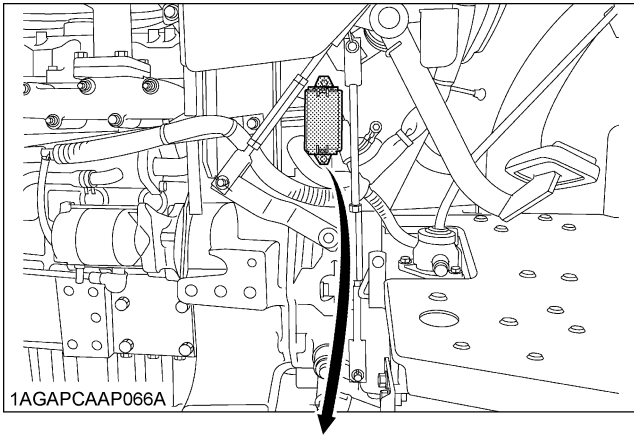
The tractor electrical system is protected from potential damage by fuses.

A blown fuse indicates that there is an overload or short somewhere in the electrical system.

If any of the fuses should blow, replace with a new one of the same capacity.

IMPORTANT :

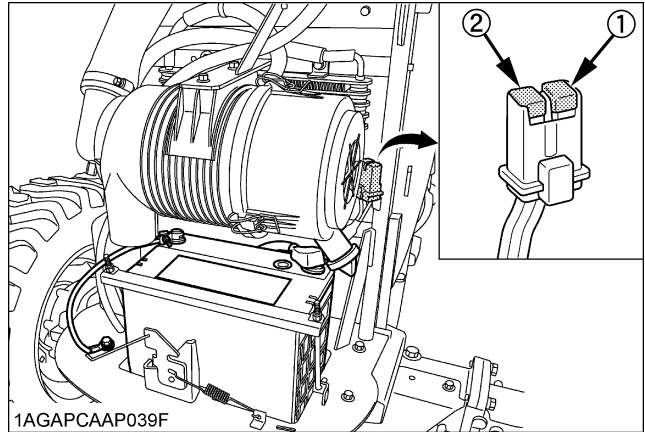
- Before replacing a blown fuse, determine why the fuse blew and make any necessary repairs. Failure to follow this procedure may result in serious damage to the tractor electrical system. Refer to the "TROUBLESHOOTING" section of this manual or your local KUBOTA Dealer for specific information dealing with electrical problems.



| FUSE No. | CAPACITY(A) | Protected circuit |
|----------|-------------|----------------------------|
| (1) | 5 | Engine ECU (Ignition key) |
| (2) | 5 | Main ECU (Ignition key) |
| (3) | 5 | Meter panel (Ignition key) |
| (4) | 10 | Combination switch |
| (5) | 10 | Work light |
| (6) | 5 | Starter relay |
| (7) | 20 | Engine ECU (Battery) |
| (8) | 5 | Main ECU (Battery) |
| (9) | 5 | Meter panel (Battery) |
| (10) | 10 | Hazard |

■ Replacing Slow-Blow Fuses

The slow-blow fuses are intended to protect the electrical cabling. If any of them has blown out, be sure to pinpoint the cause. Never use any substitute, use only a KUBOTA genuine part.



| No. | Capacity (A) | Protected circuit |
|-----|--------------|-------------------|
| 1 | 40 | LOAD |
| 2 | 60 | BATTERY |

■ Replacing Light Bulb

| Light | Capacity |
|------------------------------------|-----------|
| Head light | 25W / 25W |
| Tail light | 5W |
| Turn signal / Hazard light (rear) | 21W |
| Turn signal / Hazard light (front) | 23W |

■ Replacing Head Lamp



CAUTION

To avoid personal injury:

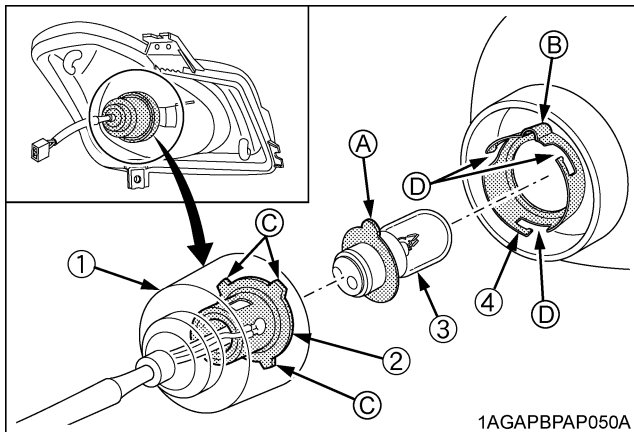
- Be careful not to drop the bulb, hit anything against the lamp, apply excess force, and get the lamp scratched. If broken, glass may cause injury. Pay more attention to halogen lamps in particular, which have high pressure inside.
- Before replacing the lamp, be sure to turn off the light and wait until the bulb cools down, otherwise, you may get burned.

◆ Removing Bulb

1. Remove the rubber boot.
2. Turn the socket counterclockwise while pressing and remove it.
3. Remove the bulb.

◆ Attaching Bulb

1. Align (A) of the bulb with (B) of the lamp case and attach the bulb.
2. Align (C) of the socket with (D) of the lamp case and attach the socket.
3. Attach the rubber boot.



- (1) Rubber boot
 (2) Socket
 (3) Bulb
 (4) Lamp Case

- (A) "Align to (B)"
 (C) "Align to (D)"

1AGAPBPAP050A

IMPORTANT :

- Be sure to use a new bulb of the specified wattage.
- Never touch the bulb surface (glass) with bare hands. Fingerprints, for example, may break the bulb.

STORAGE



CAUTION

To avoid personal injury:

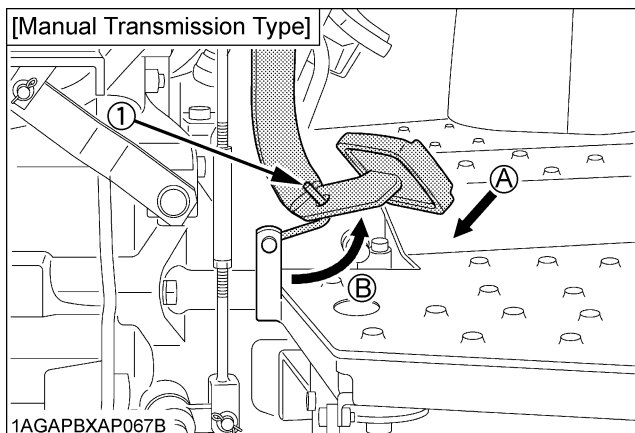
- Do not clean the machine while the engine is running.
- To avoid the danger of exhaust fume poisoning, do not operate the engine in a closed building without proper ventilation.
- When storing, remove the key from the key switch to avoid unauthorized persons from operating the tractor and getting injured.

TRACTOR STORAGE

If you intend to store your tractor for an extended period of time, follow the procedures outlined below.

These procedures will insure that the tractor is ready to operate with minimum preparation when it is removed from storage.

1. Check the bolts and nuts for looseness, and tighten if necessary.
2. Apply grease to tractor areas where bare metal will rust also to pivot areas.
3. Detach the weights from the tractor body.
4. Inflate the tires to a pressure a little higher than usual.
5. Change the engine oil and run the engine to circulate oil throughout the engine block and internal moving parts for about 5 minutes.
6. Keep the clutch disengaged. If the clutch is left engaged for a long period of time, the clutch plate may rust, making clutch disengagement impossible at the next operation.



(1) Lock plate

(A) "DEPRESS"

(B) "HOOK TO LOCK"

7. With all implements lowered to the ground, coat any exposed hydraulic cylinder piston rods with grease.

8. Remove the battery from the tractor. Store the battery following the battery storage procedures.
(See "Checking Battery Condition" in "EVERY 100 HOURS" in "PERIODIC SERVICE" section.)
9. Keep the tractor in a dry place where the tractor is sheltered from the elements. Cover the tractor.
10. Store the tractor indoors in a dry area that is protected from sunlight and excessive heat. If the tractor must be stored outdoors, cover it with a waterproof tarpaulin. Jack the tractor up and place blocks under the front and rear axles so that all 4 tires are off the ground. Keep the tires out of direct sunlight and extreme heat.

IMPORTANT :

- When washing the tractor, be sure to stop the engine. Allow sufficient time for the engine to cool before washing.
- Cover the tractor after the muffler and the engine have cooled down.

REMOVING THE TRACTOR FROM STORAGE

1. Check the tire air pressure and inflate the tires if they are low.
2. Jack the tractor up and remove the support blocks from under the front and rear axles.
3. Install the battery. Before installing the battery, be sure it is fully charged.
4. Check the fan belt tension.
5. Check all fluid levels (engine oil, transmission/hydraulic oil, engine coolant and any attached implements).
6. Start the engine. Observe all gauges. If all gauges are functioning properly and reading normal, move the tractor outside. Once outside, park the tractor and let the engine idle for at least 5 minutes. Shut the engine off and walk around tractor and make a visual inspection looking for evidence of oil or water leaks.
7. With the engine fully warmed up, release the parking brake and test the brakes for proper adjustment as you move forward. Adjust the brakes as necessary.

TROUBLESHOOTING

ENGINE TROUBLESHOOTING

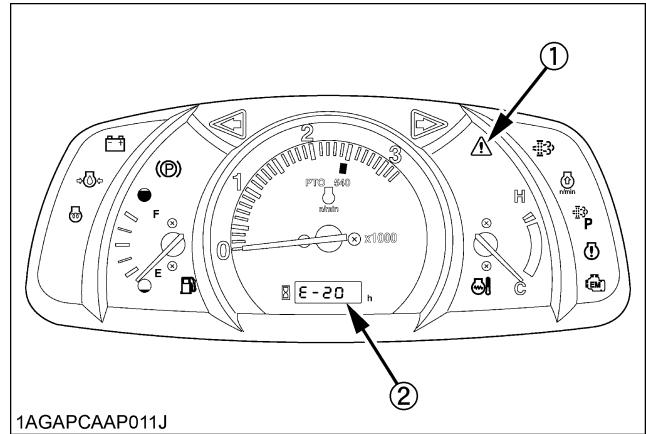
If something is wrong with the engine, refer to the table below for the cause and its corrective measure.

| Trouble | | Cause | Countermeasure |
|--|------------|--|---|
| Engine is difficult to start or won't start. | | <ul style="list-style-type: none"> No fuel flow. | <ul style="list-style-type: none"> Check the fuel tank and the fuel filter. Replace filter if necessary. |
| | | <ul style="list-style-type: none"> Air or water is in the fuel system. | <ul style="list-style-type: none"> Check to see if the fuel line coupler bolt and nut are tight. Bleed the fuel system (See "Bleeding Fuel System" in "SERVICE AS REQUIRED" in "PERIODIC SERVICE" section.) |
| | | <ul style="list-style-type: none"> In winter, oil viscosity increases, and engine revolution is slow. | <ul style="list-style-type: none"> Use oils of different viscosities, depending on ambient temperatures. Use engine block heater (Optional) |
| | | <ul style="list-style-type: none"> Battery becomes weak and the engine does not turn over quick enough. | <ul style="list-style-type: none"> Clean battery cables & terminals. Charge the battery. In cold weather, always remove the battery from the engine, charge and store it indoors. Install it on the tractor only when the tractor is going to be used. |
| | | <ul style="list-style-type: none"> Preheat (glow plug) system trouble. | <ul style="list-style-type: none"> Check to see if the slow blow fuse of the preheat (glow plug) blows. Check to see if the preheat (glow plug) functions in cold weather. |
| Insufficient engine power. | | <ul style="list-style-type: none"> Insufficient or dirty fuel. The air cleaner is clogged. | <ul style="list-style-type: none"> Check the fuel system. Clean or replace the element. |
| Engine stops suddenly. | | <ul style="list-style-type: none"> Insufficient fuel. | <ul style="list-style-type: none"> Refuel. Bleed the fuel system if necessary. |
| Exhaust fumes are colored. | Black | <ul style="list-style-type: none"> Fuel quality is poor. Too much oil. The air cleaner is clogged. | <ul style="list-style-type: none"> Change the fuel and fuel filter. Check the proper amount of oil. Clean or replace the element. |
| | Blue white | <ul style="list-style-type: none"> The inside of exhaust muffler is dumped with fuel. Injection nozzle trouble. Fuel quality is poor. | <ul style="list-style-type: none"> Check to see if the preheat (glow plug) functions in cold weather. Heat the muffler by applying load to the engine. Check the injection nozzle. Change the fuel and fuel filter. |
| Engine overheats | | <ul style="list-style-type: none"> Engine overloaded | <ul style="list-style-type: none"> Shift to lower gear or reduce load. |
| | | <ul style="list-style-type: none"> Low coolant level | <ul style="list-style-type: none"> Fill cooling system to the correct level; check radiator and hoses for loose connections or leaks. |
| | | <ul style="list-style-type: none"> Loose or defective fan belt | <ul style="list-style-type: none"> Adjust or replace fan belt. |
| | | <ul style="list-style-type: none"> Dirty radiator core or grille screens | <ul style="list-style-type: none"> Remove all trash. |
| | | <ul style="list-style-type: none"> Coolant flow route corroded | <ul style="list-style-type: none"> Flush cooling system. |

If you have any questions, contact your local KUBOTA Dealer.

POWER TRAIN TROUBLE SHOOTING

If something is wrong with the power train, the master system warning indicator starts blinking and the error code shown below is displayed on the liquid crystal display, indicating the location of the trouble. If an error code appears, immediately contact your local KUBOTA Dealer for repairs.



1AGAPCAAP011J

(1) Master system warning indicator

(2) Error code

| Displayed error code | Trouble | Operator's action |
|----------------------|--|--|
| E-20 | Communication trouble | Contact your local KUBOTA Dealer. |
| E-31 | Meter's part code and ECU model setting not compatible | |
| E-40 | Input voltage of lever sensor from ECU is in trouble. | |
| E-75 | Acceleration sensor output out of spec | |
| E-84 | Acceleration sensor maladjusted | |
| E-93 | Relay for engine starter motor is in trouble. | Contact your local KUBOTA Dealer. The engine cannot start. |
| E-94 | Relay for engine shut off is in trouble. | Contact your local KUBOTA Dealer. The Operator Presence Control (OPC) system gets activated, and the engine stops itself. |
| E-95 | Solenoid (PTO) is in trouble. | Contact your local KUBOTA Dealer. The PTO shaft cannot rotate. |

OPTIONS

Consult your local KUBOTA Dealer for further details.

- Engine Block Heater
For extremely cold weather starting
- Front end weights
For front ballast
- Front bumper
- Rear Wheel Weights
For rear ballast
- Sunshade
- Front grill guard
- Double Acting Remote Hydraulic Control Valve with
Float Position
- Double Acting Remote Hydraulic Control Valve
- Draft Control
- Swinging Drawbar
- Clevis Type Swinging Drawbar
- Clevis for Drawbar
- Work Light
High visibility for night work

APPENDICES

INDEX

| | | | |
|--|----|---|----|
| 3-point Hitch Lowering Speed | 52 | Fan Belt Tension | 77 |
| Air Cleaner Primary Element..... | 76 | Float Control | 52 |
| Air Cleaner Primary Element and Secondary Element | 89 | Flushing Cooling System and Coolant | 89 |
| Anti-Freeze | 90 | Foldable ROPS..... | 29 |
| Battery Condition..... | 79 | Foot Throttle | 34 |
| Block Heater (if equipped)..... | 24 | Front Axle Case Oil | 86 |
| Brake Pedal..... | 72 | Front Axle Pivot | 88 |
| Brake Pedal..... | 78 | Front Ballast | 60 |
| Brake Pedals (Right and Left)..... | 31 | Front Wheel Drive Lever..... | 34 |
| Brake Pedals and Clutch Pedal..... | 72 | Front Wheel Drive Lever..... | 37 |
| Clutch Pedal | 32 | Front Wheels (with 2-wheel drive) | 56 |
| Clutch Pedal | 78 | Front Wheels (with 4-wheel drive) | 58 |
| Coolant Level | 70 | Fuel Filter..... | 87 |
| Coolant Temperature Gauge..... | 41 | Fuel Gauge..... | 41 |
| Cruise Control Lever | 38 | Fuel Grommet..... | 77 |
| Diesel Particulate Filter (DPF) Muffler..... | 13 | Fuel Grommet..... | 91 |
| Differential Lock..... | 43 | Fuel Hose | 91 |
| Directions for Use of Power Steering | 44 | Fuel Injector Nozzle Tip | 88 |
| Do not Operate the Tractor at Full Speed for the First 50 Hours | 27 | Fuel Line..... | 77 |
| DPF Differential Pressure Sensor Hose..... | 91 | Fuel System..... | 92 |
| DPF Differential Pressure Sensor Pipe..... | 89 | Fuse..... | 92 |
| DPF Muffler | 71 | Gauges, Meter and Easy Checker(TM)..... | 72 |
| DPF Muffler | 89 | Grill and Radiator Screen | 71 |
| DPF Regeneration Process..... | 14 | Hand Throttle Lever..... | 34 |
| Draft Control (if equipped)..... | 51 | Hand Throttle Lever..... | 37 |
| Draining Clutch Housing Water | 92 | Handling Points | 14 |
| Drawbar..... | 48 | Head Lamp | 94 |
| Drawbar Length..... | 49 | Head Light / Turn Signal / Hazard Light Switch..... | 30 |
| Dual Tires | 56 | Head Light, Turn Signal / Hazard Light etc..... | 72 |
| Easy Checker(TM) | 40 | Hood | 67 |
| EGR Cooler | 88 | Hourmeter/Tachometer | 41 |
| EGR Pipe | 89 | Hydraulic Block Type Outlet | 53 |
| EGR System..... | 89 | Hydraulic Control Unit Use Reference Chart... .. | 55 |
| Electrical Outlet | 44 | Immediately Stop the Engine if:..... | 40 |
| Electrical Wiring and Battery Cables | 72 | Inflation Pressure..... | 56 |
| Engine Oil..... | 84 | Intake Air Line..... | 82 |
| Engine Oil Filter..... | 85 | Intake Air Line..... | 91 |
| Engine Oil Level | 69 | Lifting Rod (Right)..... | 48 |
| Engine Start System..... | 74 | Light Bulb..... | 93 |
| Engine Valve Clearance..... | 88 | Liquid Ballast in Rear Tires..... | 61 |
| Evacuator Valve | 71 | Lubricating Grease Fitting [2WD Model]..... | 88 |
| Exhaust Manifold..... | 89 | Lubricating Grease Fittings..... | 73 |
| | | Lubricating Oil for New Tractors | 27 |
| | | Main Gear Shift Lever & Range Gear Shift Lever | 33 |

| | | | |
|--|----|---|----|
| Mixed Control | 52 | Tips on Diesel Particulate Filter (DPF) | |
| Movable Parts | 72 | Regeneration | 20 |
| Oil Cooler Line..... | 82 | To Fold the ROPS | 27 |
| Oil Cooler Line..... | 91 | To Raise the ROPS to Upright Position..... | 28 |
| Oil Separator Element..... | 88 | Toe-in | 83 |
| Oil Separator Hose..... | 82 | Top Link..... | 48 |
| Oil Separator Hose..... | 91 | Tractor Lights..... | 31 |
| Operating on Slopes and Rough Terrain..... | 44 | Transmission Fluid / Hydraulic Oil Filter | 85 |
| Operating the Tractor on a Road..... | 43 | Transmission Fluid Level | 70 |
| Operator Presence Control | 75 | Transmission Oil Filter [HST Type]..... | 81 |
| Operator's Seat | 29 | Transport the Tractor Safely | 44 |
| Parking | 42 | Walk Around Inspection..... | 68 |
| Parking | 42 | Warm-Up Transmission Oil in the Low | |
| Parking Brake..... | 35 | Temperature Range..... | 25 |
| Parking Brake..... | 37 | Water Separator | 69 |
| PCV (Positive Crankcase Ventilation) Valve ... | 88 | Water Separator | 87 |
| PM Warning Level and Required Procedures .. | 16 | Wheel Bolt Torque | 75 |
| PM Warning Level and Required Procedures .. | 18 | | |
| Position Control | 51 | | |
| Power Steering Hose | 91 | | |
| Power Steering Line | 83 | | |
| PTO Clutch Control Switch..... | 45 | | |
| PTO Shaft Cover and Shaft Cap | 46 | | |
| Radiator Hose (Water pipes)..... | 91 | | |
| Radiator Hose and Clamp | 81 | | |
| Range Gear Shift Lever (L-M-H) | 36 | | |
| Rear Ballast..... | 61 | | |
| Rear Wheels..... | 59 | | |
| Refueling | 68 | | |
| Regeneration Operating Procedure | 15 | | |
| Regeneration Operating Procedure | 17 | | |
| Remote Control Valve | 53 | | |
| Remote Control Valve Coupler Connecting and | | | |
| Disconnecting | 54 | | |
| Remote Control Valve Lever | 53 | | |
| Seat Belt..... | 30 | | |
| Seat Belt and ROPS..... | 72 | | |
| Selecting the top link mounting holes..... | 48 | | |
| Side Cover..... | 67 | | |
| Slow-Blow Fuses..... | 93 | | |
| Speed Control Pedal | 38 | | |
| Stationary PTO..... | 46 | | |
| Stopping | 40 | | |
| Supply Pump | 89 | | |
| Swing Drawbar(if equipped) | 50 | | |
| Synchro-Shuttle Shift Lever..... | 33 | | |
| Telescopic Stabilizers..... | 49 | | |
| Tie-rod Dust Cover | 76 | | |

KUBOTA Corporation is ...

Since its inception in 1890, KUBOTA Corporation has grown to rank as one of the major firms in Japan.

To achieve this status, the company has through the years diversified the range of its products and services to a remarkable extent. Nineteen plants and 16,000 employees produce over 1,000 different items, large and small.

All these products and all the services which accompany them, however, are unified by one central commitment. KUBOTA makes products which, taken on a national scale, are basic necessities. Products which are indispensable. Products which are intended to help individuals and nations fulfill the potential inherent in their environment. KUBOTA is the Basic Necessities Giant.

This potential includes water supply, food from the soil and from the sea, industrial development, architecture and construction, and transportation.

Thousands of people depend on KUBOTA's know-how, technology, experience and customer service. You too can depend on KUBOTA.