

PART'S MANUAL

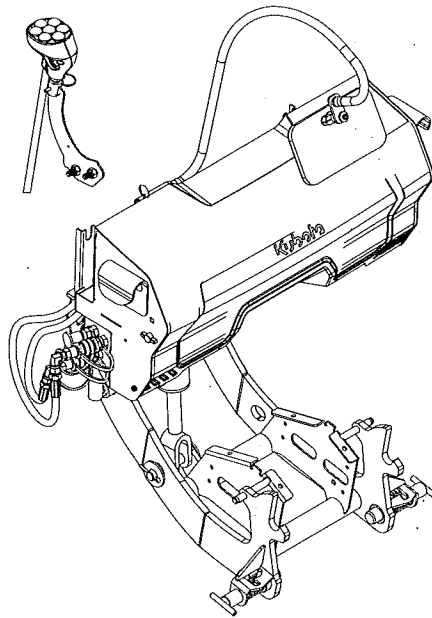
PM 0488QH-A / Rev0 10 20

MANUAL PN 77700-11310

Kubota®

V5293B - 4 POINT HITCH & POWER UNIT

SERIAL NO. 22000001 AND UP



**For: RTV-X900/ RTV-X1100C
RTV-X1120D / RTV-X1140**

CALIFORNIA PROPOSITION 65

⚠ WARNING:

Cancer and reproductive harm - www.P65Warnings.ca.gov

**PLEASE READ THIS MANUAL CAREFULLY
KEEP READY AT ALL TIMES**

DISCLAIMER

LEGAL DISCLAIMER

Kubota Corporation notes that specifications and technical information are subject to change without notice and Kubota does not represent or warrant that the information in this publication is completely accurate or current; however, Kubota used reasonable efforts to set forth and include accurate and up to date information in this publication. Kubota disclaims all representations and warranties, whether express or implied, including, but not limited to, warranties of merchantability and fitness for a particular purpose and Kubota shall not be liable for any damages, whether compensatory, direct, indirect, incidental, special, or consequential, arising out of or in connection with the use of this publication, or the information therein.

The Product(s) described in this Publication are designed and manufactured only for the country in which they are initially wholesaled by Kubota. Kubota does not provide parts, warranty or service for any Product which is re-sold or retailed in any country other than the country for which the Product(s) were designed or manufactured.

TABLE OF CONTENTS

PARTS

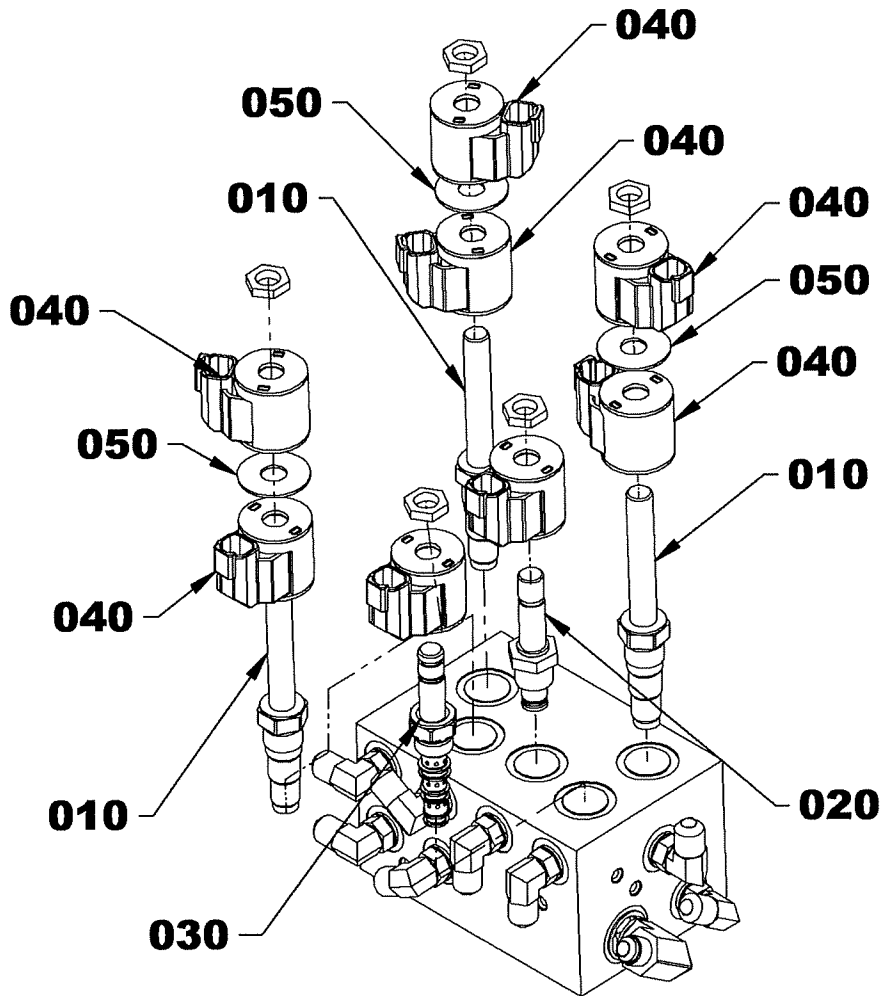
Components of the Hydraulic Block	2
Power Unit - Hoses	3
4-Point Hitch & Subframe	4
Power Unit	6
Control system - hydraulic & electrical	8
Hydraulic Unit & Block	10

AVAILABLE EQUIPMENT	11
---------------------------	----

PARTS

COMPONENTS OF THE HYDRAULIC BLOCK - 77700-06655

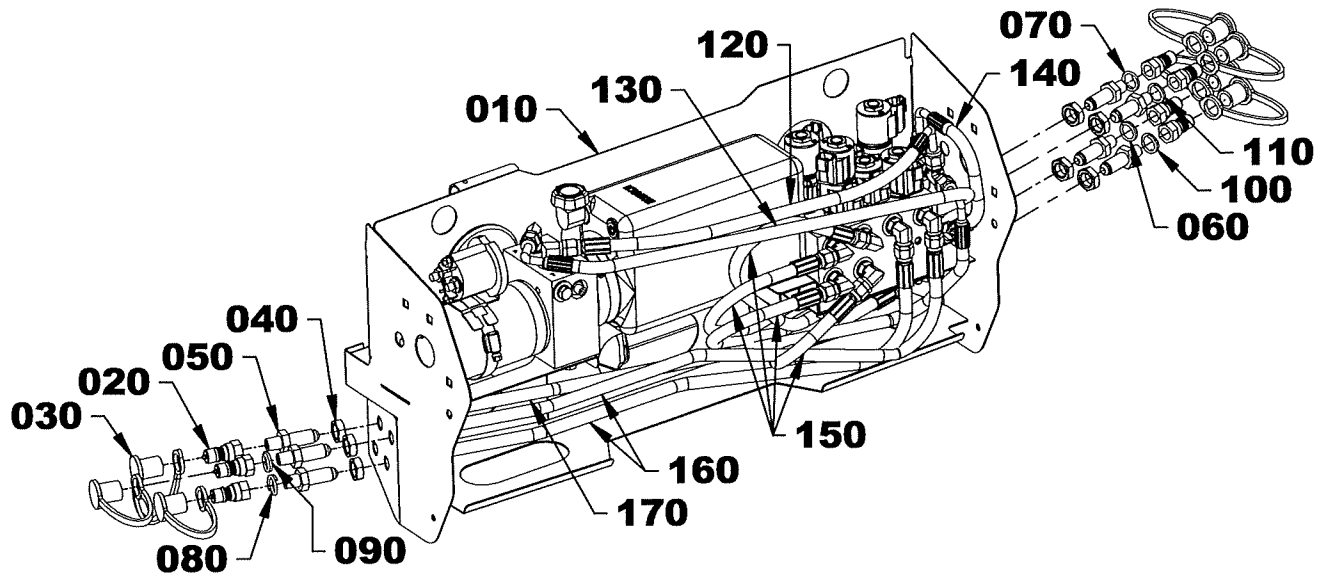
REF.	PART #	QTY	DESCRIPTION	CODE
010	77700-09785	3	4 Way Solenoid valve 3 positions #8 cavity	3920083
020	77700-01155	1	2 Way Solenoid valve #8 cavity, usually closed	3920017
030	77700-05783	1	4 Way Solenoid valve 2 positions #8 cavity	3920072
040	77700-04838	8	Coil 12 VDC	3920056
050	77700-09786	3	Coil Spacer	3920084



PARTS

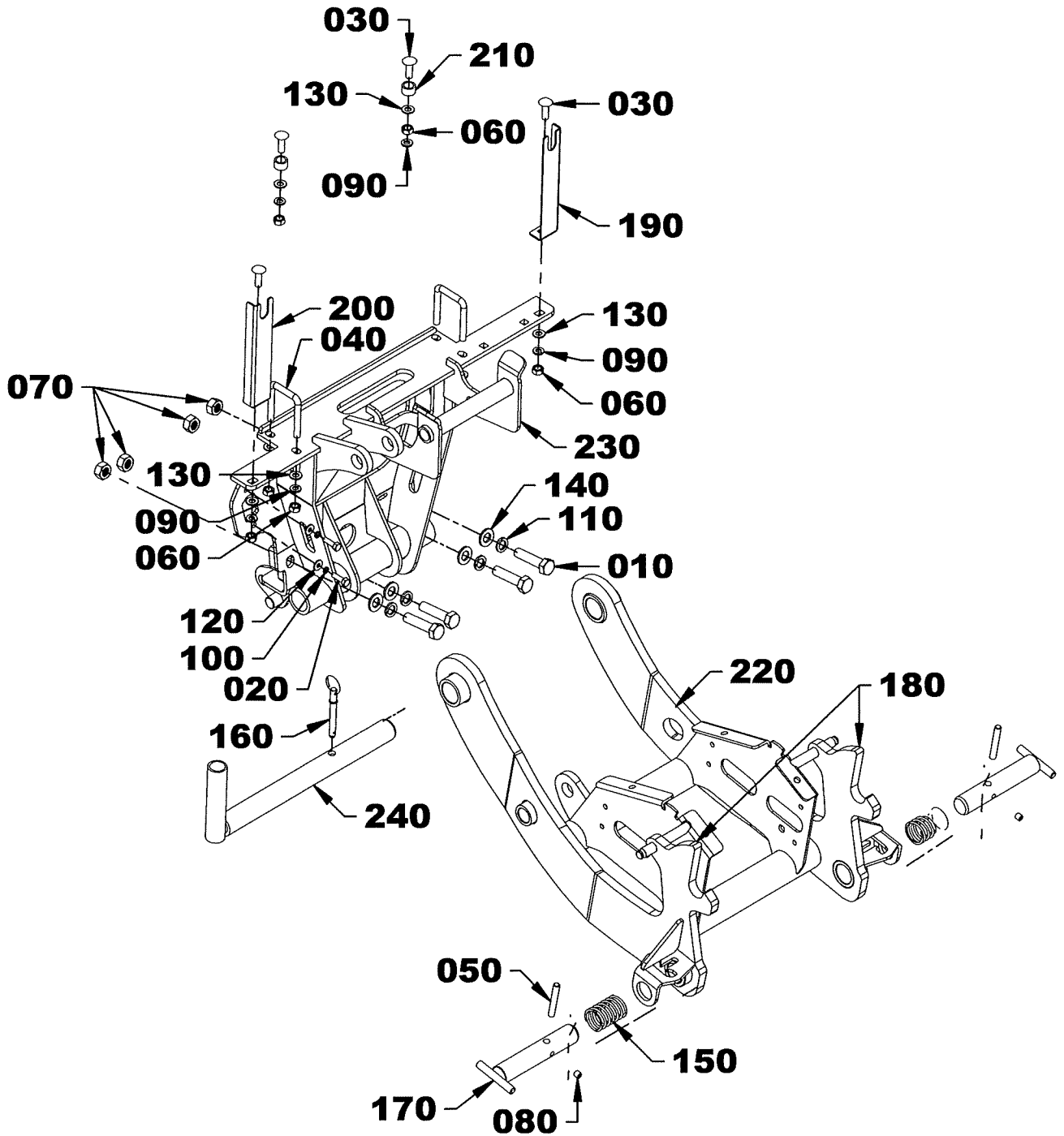
POWER UNIT - HOSES

REF.	PART #	QTY	DESCRIPTION	CODE
010	77700-07026	1	Power Unit Support	671313
020	70060-04361	7	Quick coupler male 1/4"NPT	2600051
030	70060-04362	7	Dust cap 1/4"NPT	2600052
040	77700-04859	7	Bulkhead nut 9/16"JIC F	2600073
050	77700-04860	7	Bulkhead union 9/16"JIC M X 1/4"NPT M	2600194
060	77700-00997	1	Identification ring - white	4200032
070	77700-00998	1	Identification ring - orange	4200033
080	70060-01726	1	Identification ring - red	658204
090	70060-01727	1	Identification ring - blue	658205
100	70060-01569	1	Identification ring - yellow	658206
110	70060-01570	1	Identification ring - green	658209
120	77700-06649	1	Hose 1/4" x 19" 9/16"JIC SWF PL90° x 9/16"JIC SWF	3700287
130	77700-06648	1	Hose 1/4" x 25 1/2" 9/16"JIC SWF PL90° x 9/16"JIC SWF	3700286
140	77700-06650	1	Hose 1/4" x 10 1/2" 9/16"JIC SWF PL90° x 9/16"JIC SWF	3700288
150	77700-06647	4	Hose 1/4" x 23" 9/16"JIC SWF x 9/16"JIC SWF	3700285
160	77700-06645	2	Hose 1/4" x 27" 9/16"JIC SWF x 9/16"JIC SWF	3700283
170	77700-06646	1	Hose 1/4" x 27" 9/16"JIC SWF PL90° x 9/16"JIC SWF	3700284



PARTS

4-POINT HITCH & SUBFRAME

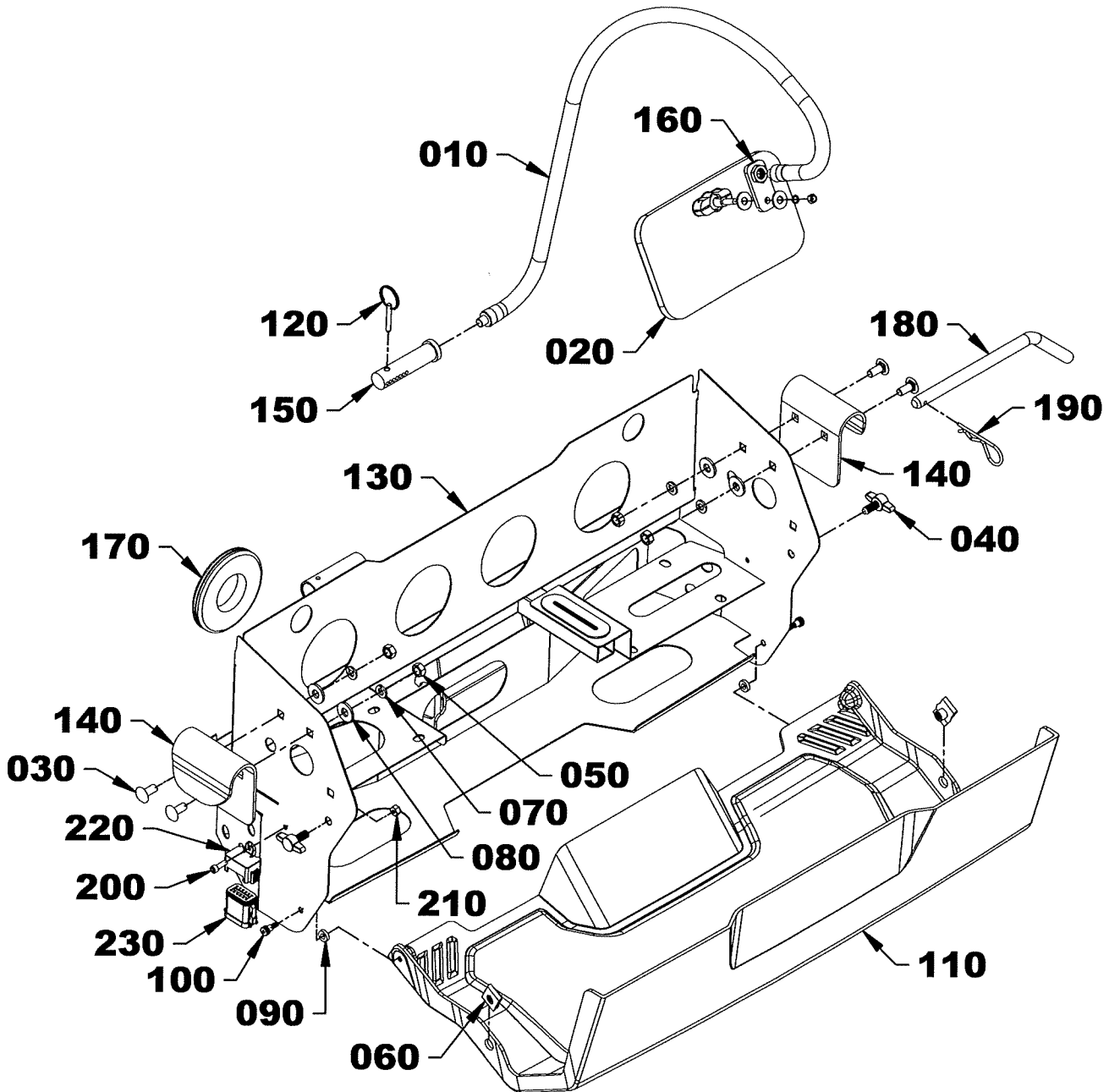


PARTS

4-POINT HITCH & SUBFRAME				
REF.	PART #	QTY	DESCRIPTION	CODE
010	77700-04897	4	Bolt hex M12 X 1.25 X 50mm lg PTD	0200068
020	70060-02110	2	Bolt hex M6 x 1.00 x 20 mm lg PTD	0200090
030	70001-00793	4	Carriage bolt 5/16"NC x 1" PTD	0300003
040	77700-04898	2	Bolt "U" 5/16" X 1 9/16" X 2 1/8" PTD	0400024
050	77700-10845	2	Pin ø5/16" x 2 1/8" lg, PTD	672860
060	75599-31012	8	Nut hex 5/16"NC PTD	0900002
070	77700-02231	4	Nut hex M12 X 1.25 gr8.8 PTD	0900025
080	77700-00701	2	Allen socket set screw 5/16" x 5/16" NC Gr. 5 black	0500009
090	75599-33012	8	Lockwasher 5/16" PTD	1200003
100	70060-02731	2	Lockwasher M6 PTD	1200013
110	70060-00793	4	Lockwasher 12mm PTD	1200019
120	77700-01248	2	Flat washer #12 (1/4" int.) PTD	1400016
130	77700-00999	8	Flat washer 8 mm (8.4 int.) PTD	1400020
140	77700-00946	4	Flat washer 12mm (13 int.) PTD	1400030
150	77700-06630	2	Compression spring ø1.026"ID x 1 3/4" lg	2200048
160	77700-04978	1	Quick release shoulder pin 5/16" X 1.8" lg	4600062
170	77700-10844	2	"T" pin ø1" x 5 1/4" lg, PTD	672859
180	77700-06677	2	Decal connection mark -yellow	2500981
190	77700-04903	1	Radiator support - left	670561
200	77700-04904	1	Radiator support - right	670562
210	77700-04905	2	Spacer PTD	670564
220	77700-11307	1	4-point Hitch	673025
230	77700-07025	1	Subframe	671314
240	77700-07030	1	Pivot pin	671342

PARTS

POWER UNIT

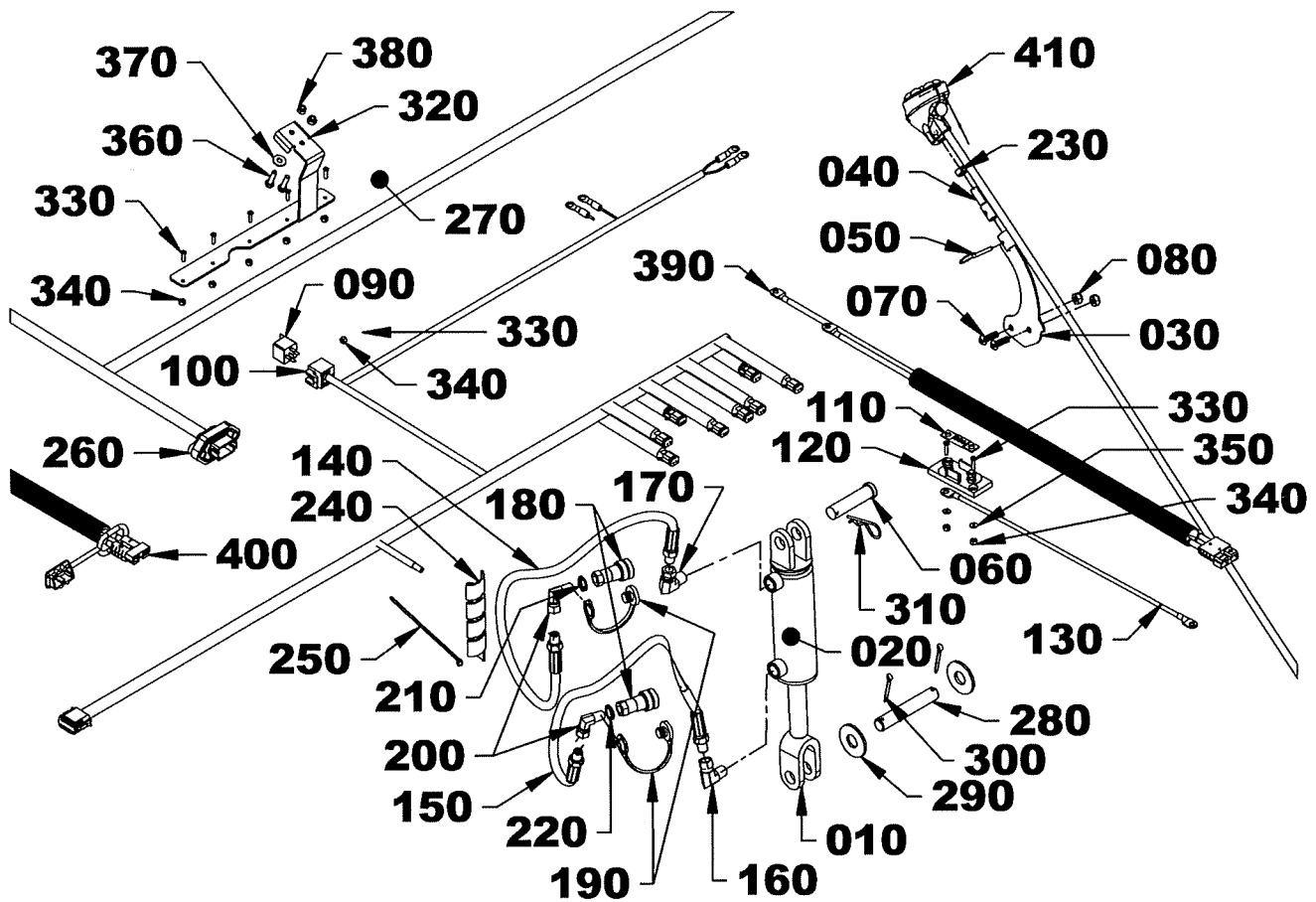


PARTS

POWER UNIT				
REF.	PART #	QTY	DESCRIPTION	CODE
010	77700-06658	1	Positioning arm	4200050
020	V4358	1	Mirror support kit	V4358
030	70060-04188	4	Carriage bolt 5/16"NC x 3/4" PTD	0300002
040	77700-06669	2	Plastic tee head thumb screw 5/16"NC x 3/4" plastic	0400031
050	75599-31012	4	Nut hex 5/16"NC PTD	0900002
060	77700-05991	2	Spring nut 5/16" 1"lg x 11/16" lrg	1100030
070	75599-33012	4	Lockwasher 5/16" PTD	1200003
080	75599-32012	4	Flat washer 5/16" (3/8" int.) PTD	1400003
090	77700-06628	2	Flat washer nylon 1/4"	1400039
100	77700-06678	2	Shoulder screw 10-24 x 1/4"	3200030
110	77700-06657	1	Plastic guard	4200049
120	77700-06661	1	Quick release shoulder pin 3/16" x 1"lg PTD	4600064
130	77700-07026	1	Power Unit Support	671313
140	77700-07027	2	Lift handle	671339
150	77700-07032	1	Mirror holder pin PTD	671397
160	77700-07033	1	Mirror bracket PTD	671398
170	77700-06635	1	Rubber grommet	3400018
180	77700-07028	1	Pin 1/2" X 6" lg bended PTD	671340
190	70060-00000	1	Hairpin 3.0MM X 65 lg (1/8 X 2 9/16)	1800004
200	77700-08940	1	Allen socket head cap screw 10-24NC x 5/8 gr5 PTD	0800024
210	77700-00991	1	Nylon insert locknut 10-24 NC PTD	1000002
220	77700-08942	1	Cap for deutsch 12 cavity connector	4000185
230	77700-08941	1	12 holes connector deutsch assembly	4000184

PARTS

CONTROL SYSTEM - HYDRAULIC & ELECTRICAL



PARTS

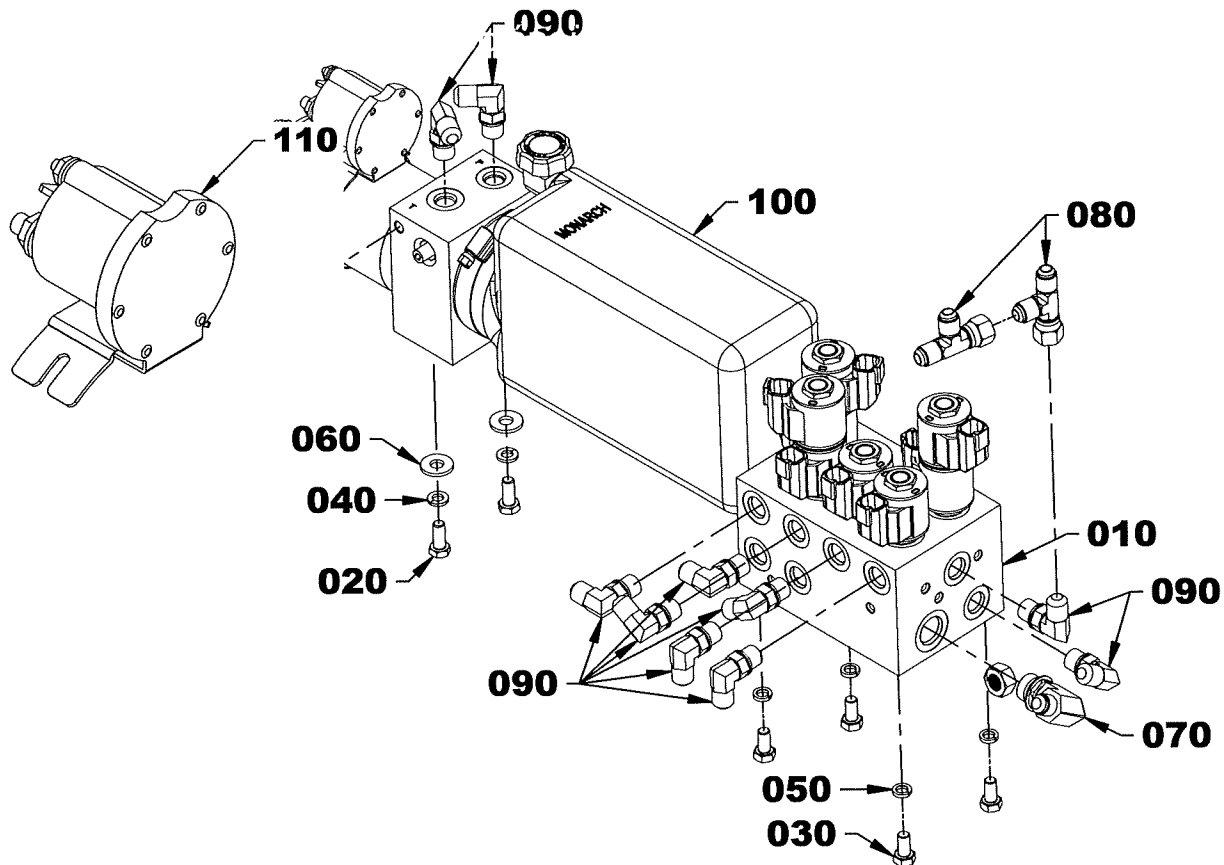
CONTROL SYSTEM - HYDRAULIC & ELECTRICAL

REF.	PART #	QTY	DESCRIPTION	CODE
010	70001-00871	1	Cylinder 2" X 5"	665433
020	70001-00872	1	- Seal kit	665434
030	77700-07100	1	Control Handle support	671433
040	77700-07101	1	Holder pin for control handle	671434
050	77700-06661	1	Quick release shoulder pin 3/16" x 1"lg PTD	4600064
060	77700-01284	1	Pin 3/4" x 3" lg PTD	665151
070	77700-08946	2	Allen butt.head cap screw 5/16"NC x 3/4" gr.5 PTD	0800061
080	75599-31912	2	Nylon insert locknut 5/16"NC PTD	1000005
090	77700-07056	1	Wiring harness - hydraulic control power unit	4000147
100	77700-07164	1	Sealed relay 12V	4000152
110	77700-07103	1	Fuse 150 AMP 32 VDC	4000151
120	77700-07102	1	Fuse holder 100-250 AMP	4000150
130	77700-07051	1	Power unit wire 12V 19" lg red	4000140
140	77700-06651	1	Hose 1/4" x 24" 1/4"NPT M x 1/4"NPT M	3700289
150	77700-06652	1	Hose 1/4" x 28" 1/4"NPT M x 1/4"NPT M	3700290
160	70060-00337	1	Flow restrictor 0.063", 90° 3/8"NPT M x 1/4"NPT SWF	3900101
170	70060-00886	1	Elbow 90° 3/8"NPT M x 1/4"NPT SWF	654438
180	70060-04310	2	Quick coupler female 1/4"NPT	664668
190	70060-00336	2	Dust plug	2600061
200	70001-00599	2	Elbow 90° 1/4"NPT M/SWF	655211
210	70060-01727	1	Identification ring - blue	658205
220	70060-01726	1	Identification ring - red	658204
230	77700-01169	1	Nut hex M10 - 1.25 PTD	0900075
240	77700-05084	1	Plastic guard for hoses 6" lg black plastic	670747
250	77700-00947	1	Nylon tie wrap 11" lg x 5mm black	2100005
260	77700-08944	1	Wiring harness - hydraulic control vehicle	4000182
270	77700-00951	5	Relay 12V	4000152
280	77700-07029	1	Pin 3/4" x 4 7/16" lg PTD	671341
290	77700-00990	2	Flat washer 3/4" (13/16 int.) PTD	1400010
300	77700-01116	2	Cotter pin 3/16" x 1 1/2"	1500013
310	70060-00000	1	Hairpin 3mm x 65mm PTD	1800004
320	77700-11530	1	Relay bracket	673153
330	77700-01609	8	Machine screw 8-32 x 3/4" round socket head PTD	2700011
340	77700-01610	8	Nylon insert locknut 8-32 PTD	1000026
350	77700-01665	2	Flat washer #8 (3/16" int.) PTD	1400001
360	77700-10187	2	Bolt hex M6 x 1.00 x 25mm PTD	0200097
370	77700-08912	1	Flat washer 6mm PTD	1400040
380	77700-11529	2	Nylon insert locknut M6 x 1.00 PTD	1000039
390	77700-07054	1	Wiring harness - hydraulic pump	4000145
400	77700-08943	1	Wiring harness 156" - hydraulic pump	4000181
410	77700-06679	1	Control Handle	4000137

PARTS

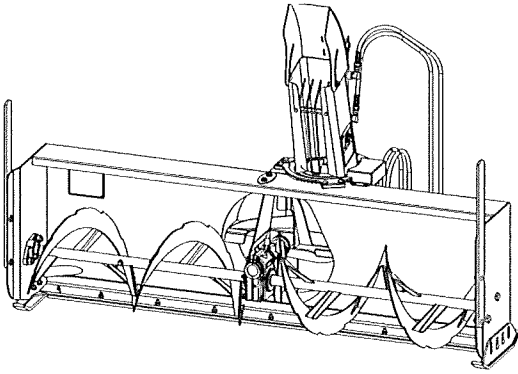
HYDRAULIC UNIT & BLOCK

REF.	PART #	QTY	DESCRIPTION	CODE
010	77700-06655	1	Hydraul.block w/ 3 functions (Incl. 8x #9 fittings + #7 elbow)	3920081
020	75599-01215.	3	Bolt hex 5/16"NC x 3/4" gr.5 PTD	0100018
030	77700-04057	4	Bolt hex M8 x 1.25 x 16 PTD	0200005
040	75599-33012	3	Lockwasher 5/16" PTD	1200003
050	70060-04371	4	Lockwasher 8MM PTD	1200017
060	75599-32012	3	Flat washer 5/16" (3/8" int.) PTD	1400003
070	77700-06093	1	Elbow 90° 9/16"JIC M x 3/4"ORB M	2600083
080	77700-07104	2	Fitting "T" 9/16"JIC SWF x 9/16"JIC M x 9/16"JIC M (8x incl.in 3920081)	2600132
090	77700-01145	10	Elbow 90° 9/16" JIC M x 9/16"ORB M	2600147
100	77700-06654	1	Hydraulic unit 12 VDC	3910106
110	77700-10892	1	Solenoid	3910108



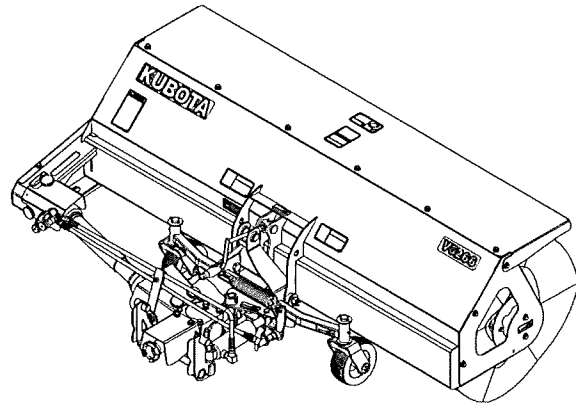
AVAILABLE EQUIPEMENT

SNOWBLOWER
V5296



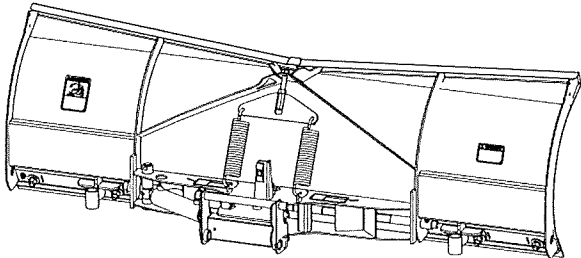
Only for RTV-X1100C and RTV-X1120D

ROTARY BROOM
V5266



Only for RTV-X1100C and RTV-X1120D

STRAIGHT BLADE
V5294A



"V" BLADE
V5295A

